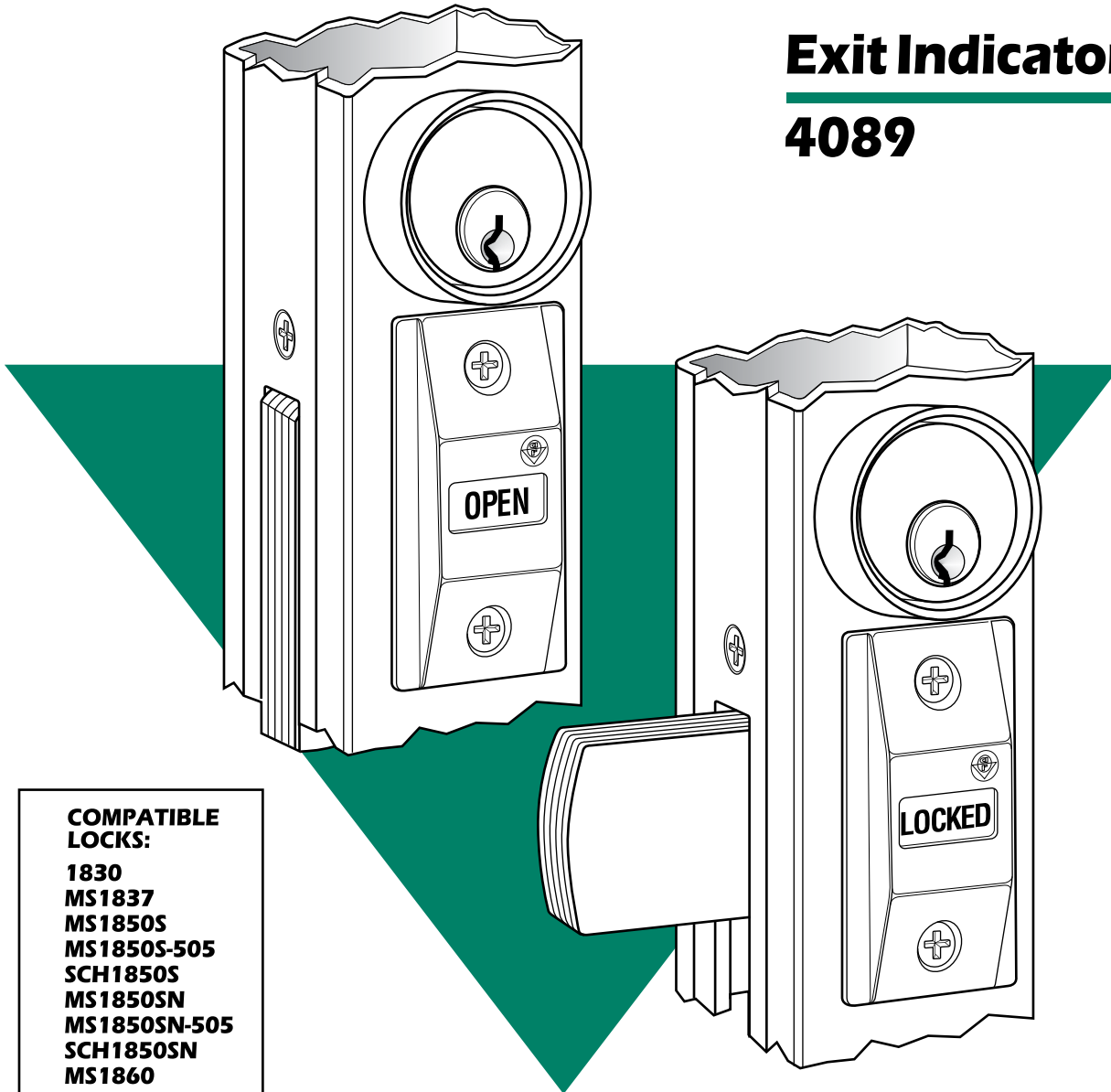


## Exit Indicator 4089



### COMPATIBLE LOCKS:

**1830  
MS1837  
MS1850S  
MS1850S-505  
SCH1850S  
MS1850SN  
MS1850SN-505  
SCH1850SN  
MS1860  
1870  
MS+1890**

### ▼ Function

Provides unmistakable notification of an exit door's "locked" or "open" condition. Under many local building safety codes, this allows the use, in certain occupancies, of a security deadlock instead of less secure panic devices. It includes two permanent adhesive header signs: "THIS DOOR TO REMAIN UNLOCKED DURING BUSINESS HOURS." (That wording is according to Uniform Building Code.) The second sign for NFPA and other local codes reads: "THIS DOOR TO REMAIN UNLOCKED WHEN THE BUILDING IS OCCUPIED."

### ▼ Message Panel

"OPEN" appears in black letters on white background when lock is retracted and "LOCKED" in red letters when actuated. Also available with red (locked) and green (unlocked) wordless panels.

### ▼ Material/Finish

Indicator escutcheon is zinc alloy with 130 (Satin Aluminum) Ritecoat finish. See page SW-39 for other Ritecoat finishes. Header sign is clear aluminum match with black letters.

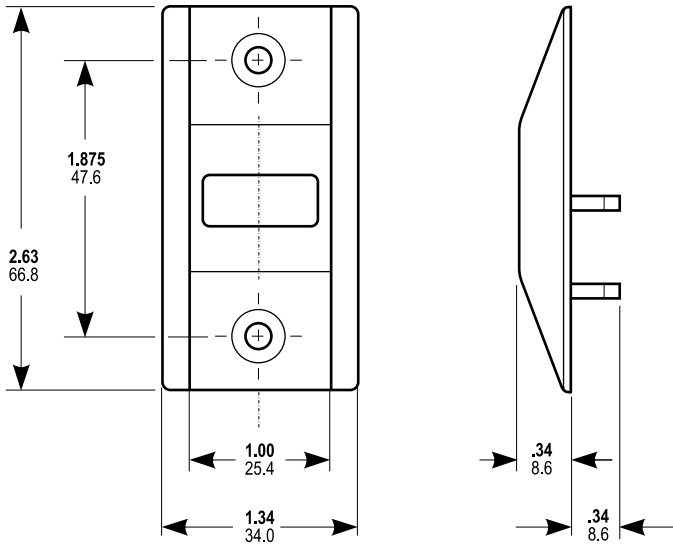


# 4089 Exit Indicator

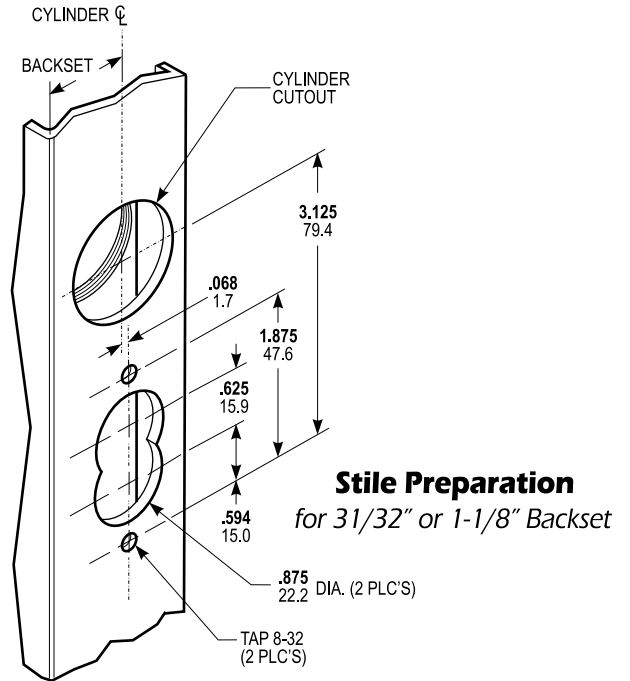
## DIMENSIONS

INCHES  
MILLIMETERS

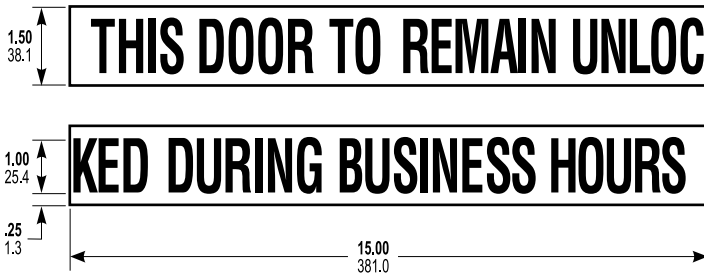
Nominal, subject to tolerance extremes.



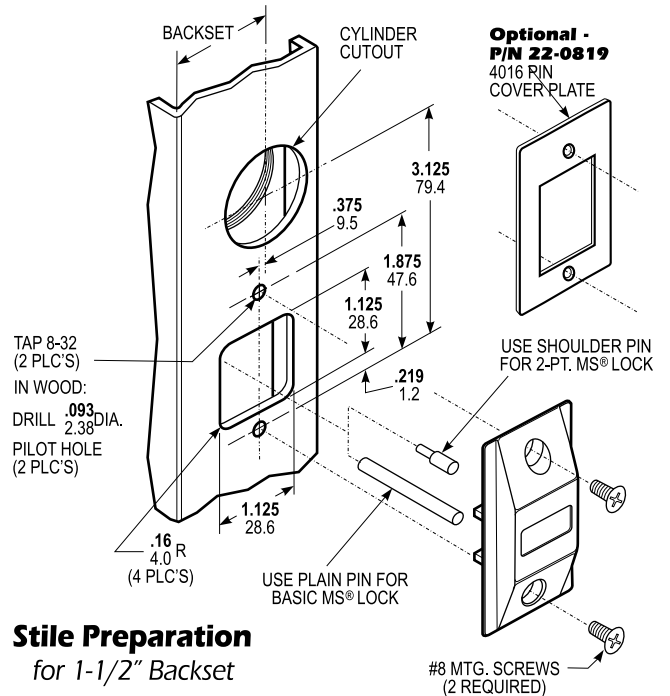
## INSTALLATION



HEADER SIGN - IN TWO PIECES\*



\* This sign correct under Uniform Building Code. Also includes NFPA wording "THIS DOOR TO REMAIN UNLOCKED WHEN THE BUILDING IS OCCUPIED".



## HOW TO ORDER

Specify quantity and the following information.

### Options

- 00 Standard - 1-3/4" Door
- 01 For Inverted Lock
- 20 For doors up to 2-1/2"

[Standard unit fits 1-3/4" doors]

### Finish

- 130 Satin Aluminum
- 119 Satin Black
- 121 Dark Bronze

# 4089 -01 -130

## Stile Preparation for 1-1/2" Backset

## OPTIONS

Standard unit fits 1-3/4" doors. Specify for thicker doors up to 2-1/2".

## STANDARD PACKAGE

Shipping weight: 1/2 lb.