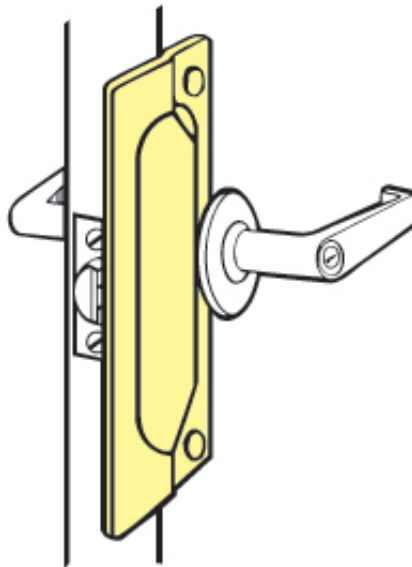




Latch Protector LP 207



Product Specifications

Number	LP 207
Dimensions	2-3/4" x 7"
Gauge	12 ga., .104
Material	Steel
Shelf pack	10
Features	Solid steel pin prevents spreading of door from frame, Pin is welded on back leaving no visible point of attack from outside, Furnished with carriage bolts, washers & acorn cap nuts
Finishes	BP, CP, DU, SL
Competitor part	8848, ELP-210

