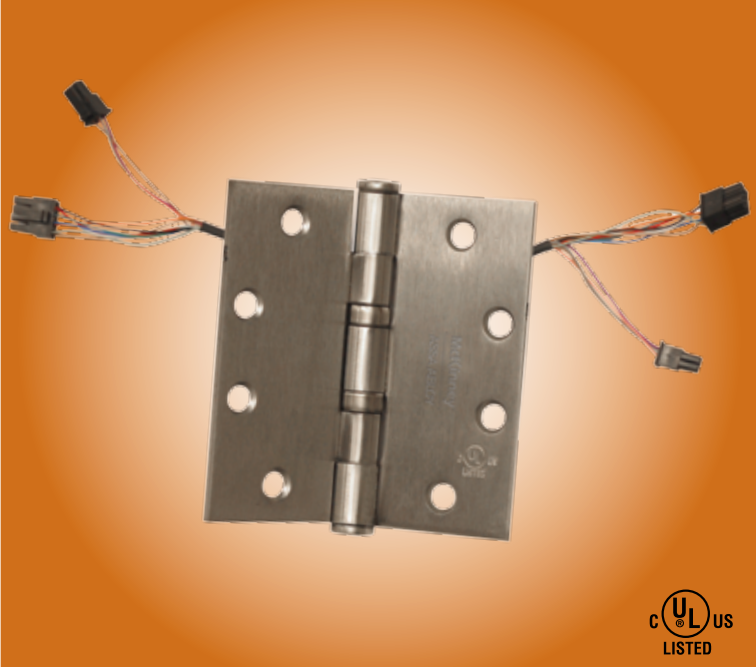


McKinney ElectroLynx® Hinges



Applications:

- Healthcare
- K-12 Schools
- Offices
- Airports
- Universities



© McKinney Products Company 2012

Connecting the Power to Door Hardware

McKinney's ElectroLynx Quick Connect electrified hinge offers the perfect solution for door openings that use electrified hardware. Installer-friendly "plug and play" ElectroLynx® connectors take the guesswork out of wiring and offers an quick method for connecting power from the source through the hinge to the electrified hardware.

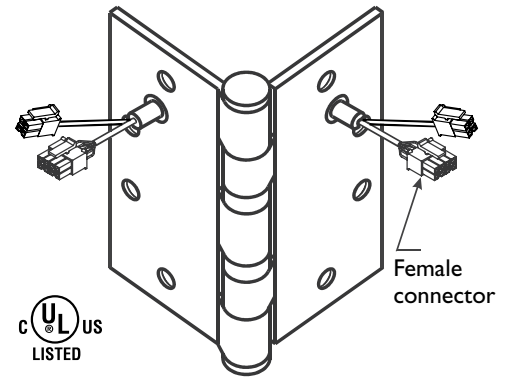


ASSA ABLOY, the global leader in door opening solutions

McKinney ElectroLynx® Hinges (QC Option)

Each hinge features plug connectors that eliminate the need for separate or exposed wiring and make installation quick and simple. Brass eyelets add protection and durability.

The QC Option is available on most standard McKinney hinges. TA2714 and T4A3786 (4-1/2" x 4-1/2" 26D) are available on the 3-day QuickShip Program. Consult the McKinney Catalog, web site or Customer Service for more information.



Back of 12 wire hinge shown

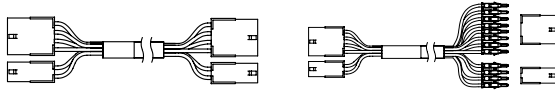
Features

Benefits

Quick Connect (QC) ElectroLynx Molex Connectors	Quick and easy installation; no incorrect wiring
Brass eyelets on portal holes	Protects wires from chafing
No external wires	Eliminates disruption of power due to tampering
UL Listed, ANSI/BHMA A156.1 Standard	Meets industry standards

Standard ElectroLynx® Retrofit Cable Sizes

When retrofitting a door with ElectroLynx hinges, the wiring harness must also be ordered.



Actual Cable Length	2 Conductor and Molex both ends	2 Conductor and Molex one end, pinned one end	Typical Application
3"	QC-C003	QC-C003P	
6"	QC-C006	QC-C006P	Between hinge and the end of an exit device.
12"	QC-C012	QC-C012P	
26"	QC-C200	QC-C200P	
32"	QC-C206	QC-C206P	
38"	QC-C300	QC-C300P	Between hinge and through the door to the lockset or exit device trim.
44"	QC-C306	QC-C306P	
50"	QC-C400	QC-C400P	
15' 2"	QC-C1500	QC-C1500P	From the hinge location, up the jamb to above the ceiling, or up and around full lite or half lite metal door.

Hardwiring Made Easy™



ElectroLynx®

As part of their promise to provide innovative, fast and effective high security solutions to their customers, certain ASSA ABLOY Group brands offer ElectroLynx®, a universal quick-connect system that simplifies the electrification of the door opening.

ElectroLynx® is a registered trademark of ASSA ABLOY Inc.

Doors, frames and hardware manufactured by ASSA ABLOY that utilize the ElectroLynx® QC connectors include CECO, CURRIES, CORBIN RUSSWIN, FLEMING, FOLGER ADAM, RIXSON, SARGENT, and YALE COMMERCIAL. For information call 800-346-7707 or visit us online at www.mckinneyhinge.com

McKinney
ASSA ABLOY

225 Episcopal Road
Berlin, CT 06037
Phone: 800.346.7707
Fax: 800.541.1073
www.mckinneyhinge.com

ASSA ABLOY, the global leader
in door opening solutions

Copyright © 2012, McKinney Products Company, an ASSA ABLOY Group company.
All rights reserved. Reproduction in whole or in part without the express written permission of McKinney Products Company is prohibited.

51515 11/2012