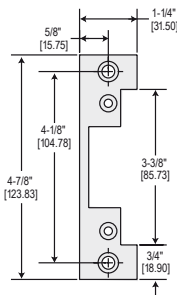
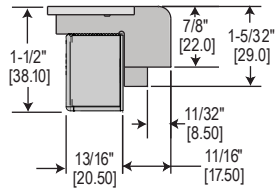
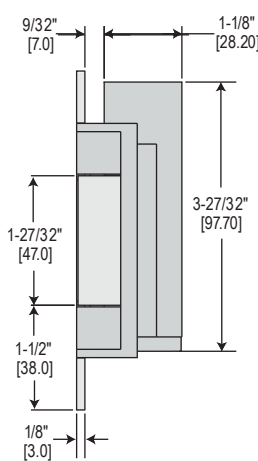
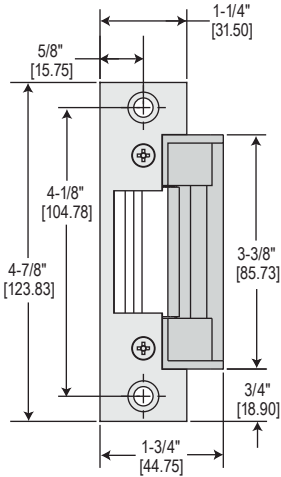


Electric Strike  
Installation Instructions  
and Technical Support  
UL 1034 · Grade 1

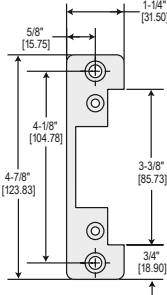
Alarm Controls  
19 Brandywine Drive  
Deer Park, NY 11729  
800.645.5538  
www.alarmcontrols.com

ASSA ABLOY, the global leader  
in door opening solutions

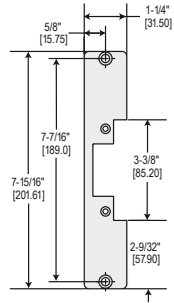
**DIMENSIONS**



**4-7/8\"/>  
SQUARE CORNER  
FACE PLATE**



**4-7/8\"/>  
ROUND CORNER  
FACE PLATE**



**7-15/16\"/>  
ROUND CORNER  
FACE PLATE**

Note: Drawings are not to scale. All dimensions are in inch and mm. This information is subject to change without notice.

# INSTALLATION INSTRUCTIONS

1. Prepare door jamb per appropriate template detail.
2. Install mounting tabs using #10-32 screws. Do not tighten. Set tabs for 1/8" thick face plate.
3. Connect wires coming from the low voltage power source (see wiring diagrams and electrical specifications on page 3).
4. NOTE: It is important to allow enough space behind the electric strike in the jamb cut-out for the wires. Bunching the wires inside the electric strike body may cause the unit to not operate properly.
5. Install electric strike and option face plate to jamb using #12-24 machine screws or wood screws provided in the option package.
6. Secure #10-32 screws holding mounting tabs (when applicable).

FIG. 1: DOOR JAMB DESCRIPTION

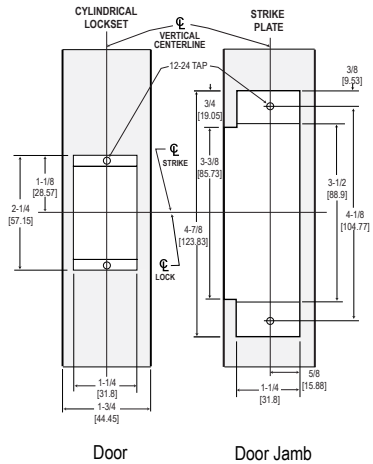


FIG. 2: JAMB INSTALLATION

Cutout dimensions for 4-7/8" Faceplate.

Note: 1020 has radius corners.

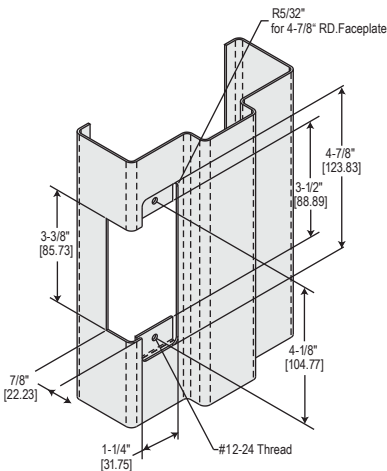
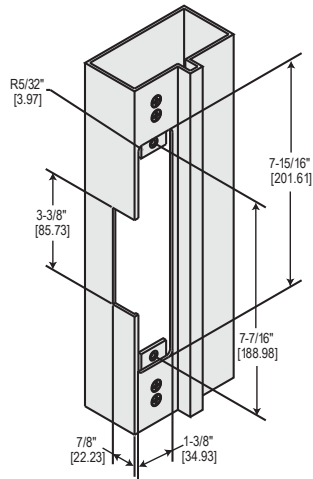


FIG. 3: JAMB INSTALLATION

Cutout dimensions for 7-15/16" Faceplate.



# RETROFIT JAMB PREPARATION

FIG 7

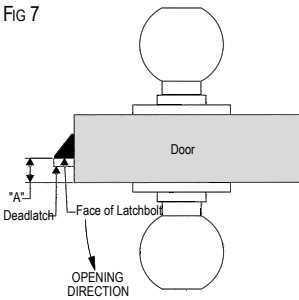


FIG 8

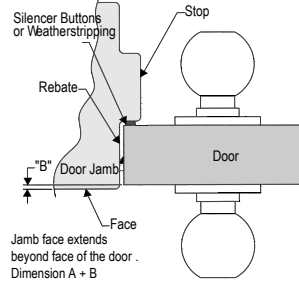


FIG 9

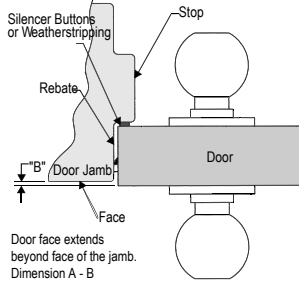
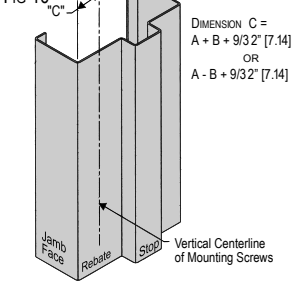


FIG 10



## TO FIND VERTICAL CENTERLINE

When Jamb:

- is not squared
- is warped
- has heavy weather stripping
- conditions are not ideal

1. To determine the location of the Vertical Centerline of the mounting screw holes, first measure the distance from the outside face of the door to the face of the latchbolt (distance 'A') (see Fig. 7).
2. Close the door and measure the distance from the outside face of the door jamb (distance 'B') (see Fig. 8). Do not force the door against the stop, close gently .
3. If the jamb face extends beyond the face of the door, add A and B (see Fig. 8). If the door extends beyond the jamb face, subtract B from A (see Fig. 9).
4. Using the dimension obtained add 9/32" [7.14 mm] (see Fig. 10). The resulting dimension "C" is the distance from the jamb face along the rebate to the mounting hole centerline of the Alarm Controls AES-100 Series Electric Strike.

Vertical Centerline:

$$\text{Dimension A} \pm \text{Dimension B} + 9 / 32" [7.14 \text{ mm}] = \text{Dimension C}$$

## TO FIND HORIZONTAL CENTERLINE

1. Mark the location of the lock centerline on the jamb face, as shown in figure 1 on page 1 .

## ELECTRIC STRIKE TROUBLE-SHOOTING GUIDE

If the electric strike does not operate properly after installation, the following problems may need to be corrected. Please read carefully before calling for technical service.

Step 1. If the electric strike does not operate properly, open the door and re-energize the electric strike. If the electric strike operates properly with the door held open, the lockset may be pre-loading or binding the keeper of the electric strike.

Solution: The horizontal relationship between the lockset and the electric strike will have to be adjusted to eliminate the binding between the bolt of the lock and the electric strike keeper (also see note 2.)

Step 2. If the electric strike does not operate with the door open, remove the electric strike from the jamb leaving the wiring connected and re-energize the electric strike. If the electric strike operates properly outside of the jamb, then the problem may be from a tight-fitting jamb cutout pinching the sides of the electric strike together.

Solution: The electric strike cutout in the door jamb needs to be slightly enlarged.

Step 3. If all mechanical problems have been eliminated without successful electric strike operation check the following electrical problems:

- a. Examine the power supply or transformer to verify that the output voltage is at the listed rating
- b. Verify that the power wires leading to the electric strike are a large enough gauge to handle the current requirements. Note: Some voltage may be lost when using smaller gauge wires over long distances.
- c. Using a multimeter: Verify that the input voltage is within the recommended limits (+/- 10%)
- d. Confirm that the input voltage at the installation site is DC or properly rectified AC.
- e. Verify that all peripheral devices such as bridge rectifiers, SMART-Pacs, buzzers, LEDs etc. are properly connected.
- f. Check that the switch, key pad, etc., meets the voltage requirements for the system.

Note 1: A quick way to determine if an electric strike is defective is to install it in a site where another electric strike has been installed and working properly . Another way is to use an alternative power source to test the electric strike (i.e. a DC battery pack.)

Note 2: If the voltage is slightly too low to operate the electric strike, a 35 volt, 220 micro farad capacitor may be installed across the bridge rectifier (positive to positive, negative to negative) to provide an initial boost of power to the unit. This is also helpful to overcome slight pre-loading conditions (as in step 1.)

# WIRING DIAGRAMS AND GENERAL SPECIFICATIONS

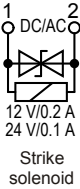
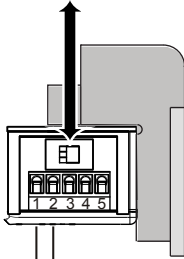
**CAUTION!** Before connecting any device at the installation site, verify input voltage and current using a multimeter. Many power supplies and transformers operate at higher levels than listed. Any input voltage exceeding 10% of solenoid rating may cause severe damage to the unit and will void the warranty.

## GENERAL INFORMATION

This electric strike is equipped with a field selectable 12 V DC/AC and 24 V DC/AC dual voltage solenoid. 12V is preselected.

## WIRING AND VOLTAGE SELECTION

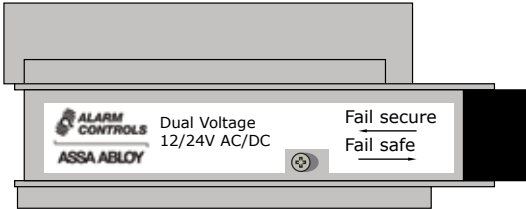
24 V ← → 12 V



MINIMUM WIRE GAUGE REQUIREMENTS	Solenoid Voltage	
	24 VDC	12 VDC
200 feet or less	18 gauge	14 gauge
200 - 300 feet	18 gauge	12 gauge
300 - 400 feet	16 gauge	12 gauge

Alarm Controls electric strikes are not polarity sensitive.

## FAIL SAFE/FAIL SECURE SELECTION



## SPECIFICATIONS

AES-100 (fail secure)

ELECTRICAL RATINGS FOR SOLENOID	Continuous Duty				Operating Temperature	-10°C to +40°C, 14°F to +104°F
	12 VDC	24 VDC	12 VAC	24 VAC		
Resistance in Ohms	58	230	58	230	MECHANICAL RATINGS	1500 lbs - force
Watts Seated	2.5	2.64	1.56	1.68		
Amps Seated	.21	.11	.13	.07	Endurance	250 000 cycles

Solenoids are rated at +/- 10% indicated value

Limited Lifetime Limited Warranty