

# 4104 and 4075

## Mounting Bridges and Installation Tool

The Adams Rite 4104 mounting bridges and 4075 installation tool are designed for the installation of MS® Deadlocks and Deadlatches in aluminium hollow door sections.



### Key Benefits

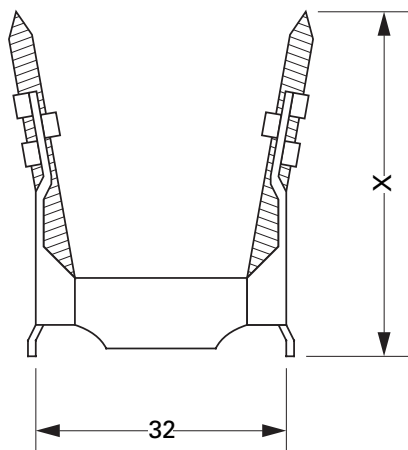
- For use on aluminium and steel doors.
- Two screws enable a secure fix into the back wall of the section with the lockcase then mounting directly onto the bridge.
- The 4075 installation tool securely holds the bridge whilst fitting and fixing into the narrow confines of a door cutout.
- Ideal for replacement applications.

### Related Hardware

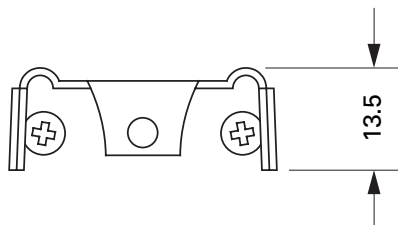
MS®1850S Maximum Security Deadlock ~ MS®2200 Maximum Security Deadlock  
MS®+1890 Latch/Deadlock ~ 4710 Heavy Duty Deadlatch ~ 4750 Deadlatch

## Dimensions

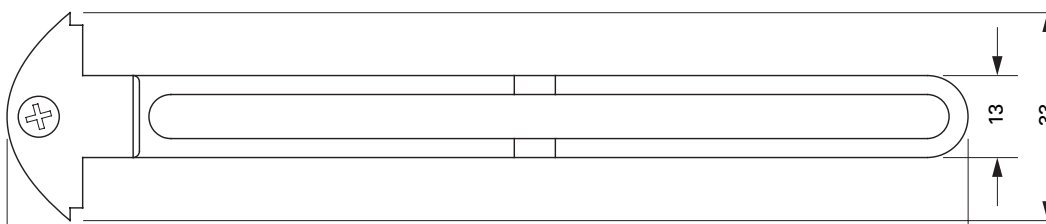
### 4104-01 Mounting Bridge



DIMENSION 'X':  
MINIMUM = 40mm  
MAXIMUM = 50mm



### 4075 Installation Tool



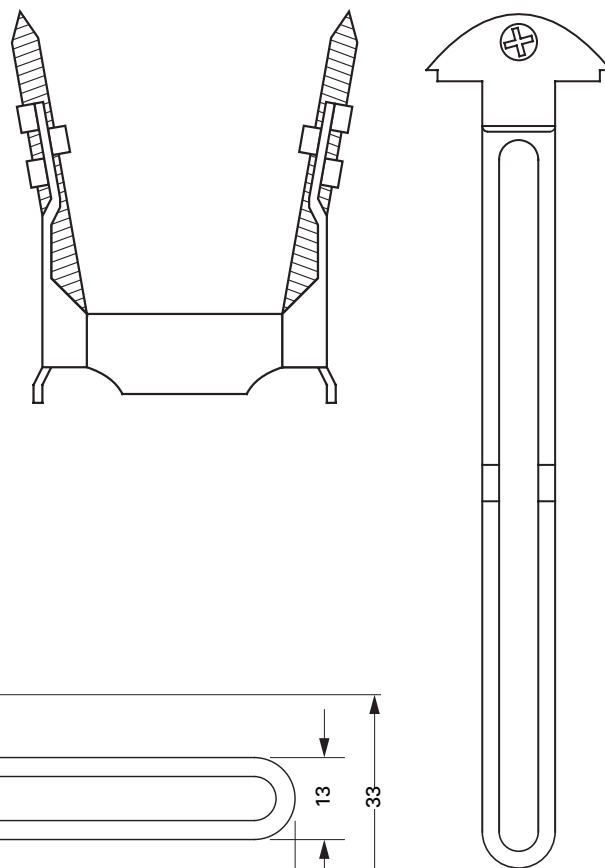
## Specifications

### 4104 Mounting Bridges

**Dimensions:** 40-50mm x 32mm x 13.5mm.  
**Material:** Mild Steel.

### 4075 Installation Tool

**Dimensions:** 33mm x 152.5mm x 29.5mm.  
**Material:** Plastic.



## Ordering Codes

<b>4104-01</b>	Radius Mounting Clips In Pairs
<b>4104-12</b>	Flat Mounting Clips In Pairs
<b>4075</b>	Mounting Tool For Lock Mounting Bridges On Swing Door