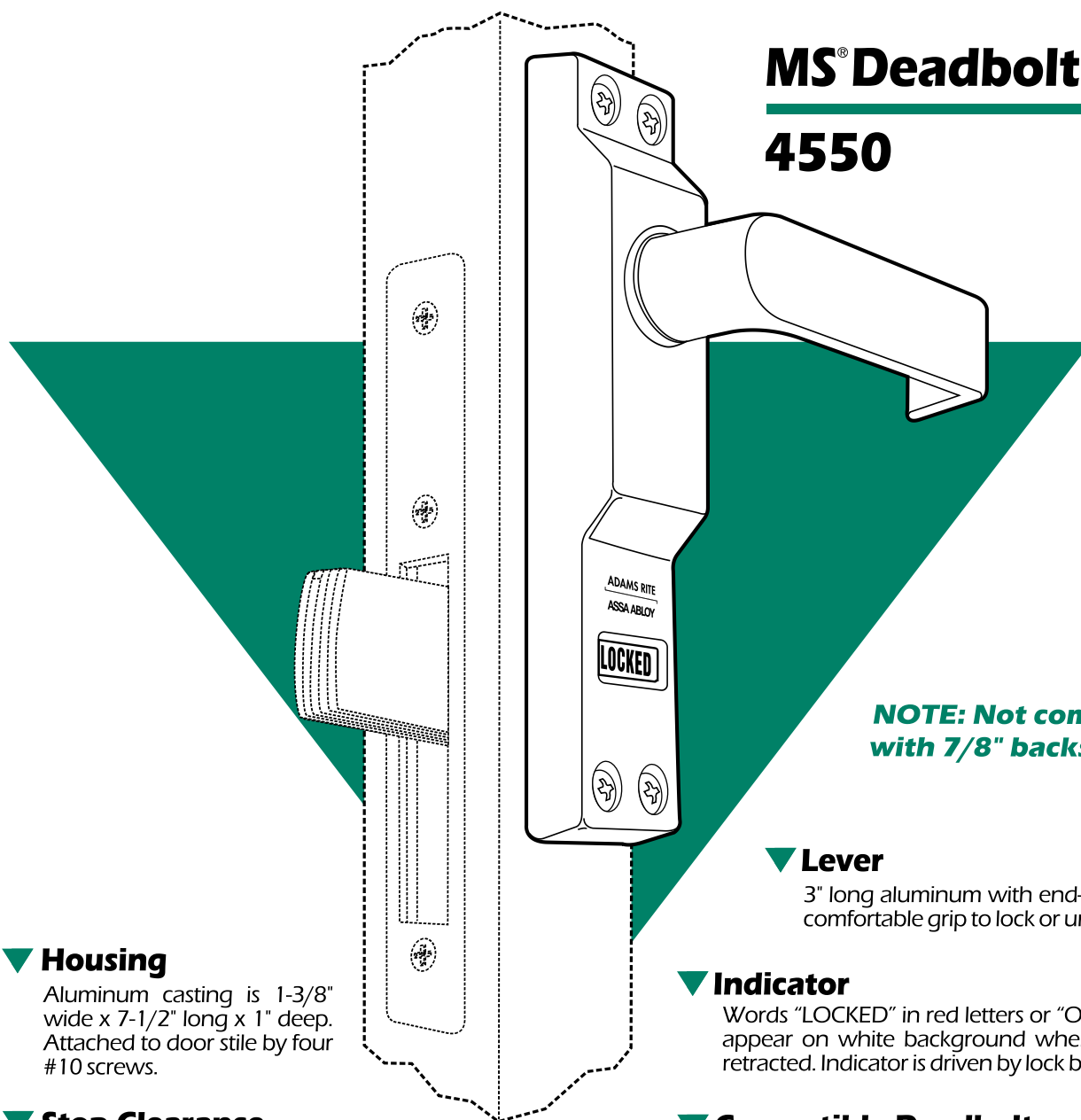


## MS® Deadbolt Lever 4550



**NOTE: Not compatible with 7/8" backset locks**

### ▼ Housing

Aluminum casting is 1-3/8" wide x 7-1/2" long x 1" deep. Attached to door stile by four #10 screws.

### ▼ Stop Clearance

Lever housing projects 11/16" forward of cylinder backset centerline. Depending on height of door stop and width of door/jamb gap, it may be necessary to modify the stop to clear the housing. (For fin type stops, this is easily accomplished.) Hollow stops may preclude use of lever.

### ▼ Function

Easy unlocking of any MS® deadbolt by approximately 3 lbs. downward force on a 3" lever. Lever is spring loaded to horizontal, relocks with upward motion. Indicator signals lock status. Can be installed in place of existing key cylinder or cylinder type thumbturn on inside of door.

### ▼ Lever

3" long aluminum with end-return design offers comfortable grip to lock or unlock.

### ▼ Indicator

Words "LOCKED" in red letters or "OPEN" in black letters appear on white background when lock is thrown or retracted. Indicator is driven by lock bolt itself.

### ▼ Compatible Deadbolts

Any MS® pivoted bolt deadbolt including "Schoolhouse" versions can be fitted with the 4550: MS1850S, MS1950, MS1837, etc. Derivative units such as 1870, 1870HM or 1877 flushbolts (bolt into threshold) are also operable by the 4550 lever. Not compatible with MS+1890 latchlock or with 7/8" backset locks.

### ▼ Operation

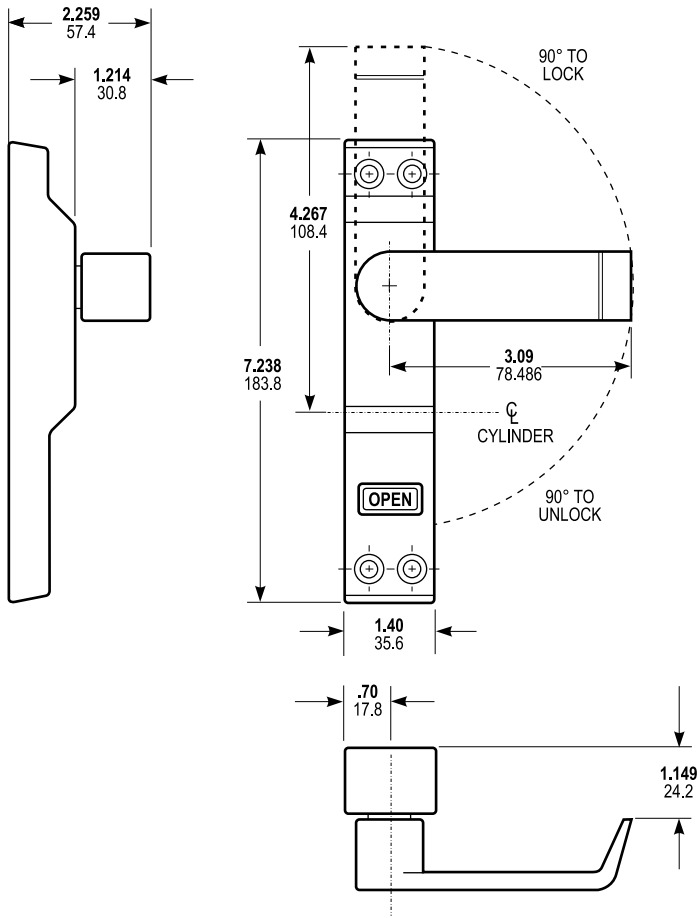
Turn lever downward 90° to unlock. When released, lever returns to horizontal. Turn lever upward 90° to relock. Key operation from outside is not affected. Clutching action prevents damage to internal components.



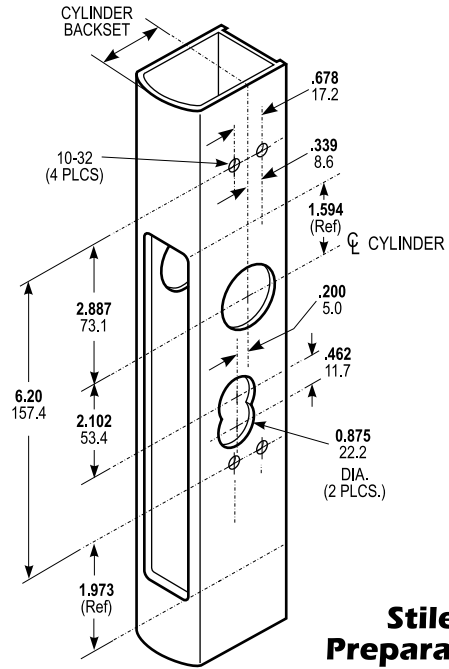
# 4550 MS® Deadbolt Lever

## DIMENSIONS

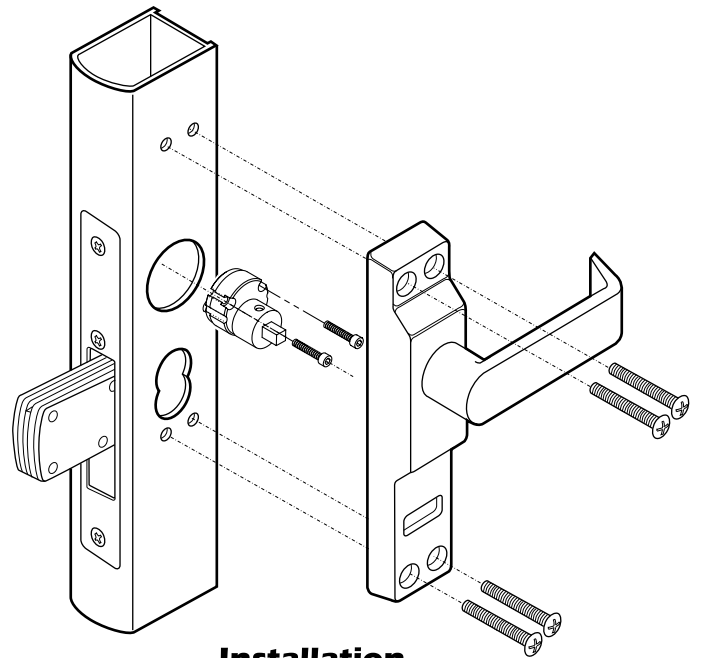
**INCHES**  
**MILLIMETERS**  
*Nominal, subject to tolerance extremes.*



## INSTALLATION



### Stile Preparation



### Installation

## HOW TO ORDER

Specify quantity and the following information.  
Order related hardware separately.

### Door Hand\*

**R** RH or RHR  
**L** LH or LHR

### Door Thickness

**01** 1 3/4" - 2"  
**02** 2 1/8" - 2 1/2"

# 4550R - 01 - 121

### Finish To Match

**130** 628 Clear Anodized  
**121** 313 Dark Bronze Anod.  
**119** 335 Black Anodized

\*Regardless of swing

## OPTIONS

Available in three Ritecoat finishes to match anodized aluminum finishes. Can be ordered for left or right hand door, but is rehandable in the field.

## STANDARD PACKAGE

Individually boxed with installation instructions, mounting screws and drive pins for both single point and threshold bolt-equipped locks. Shipping weight: 1 lb.