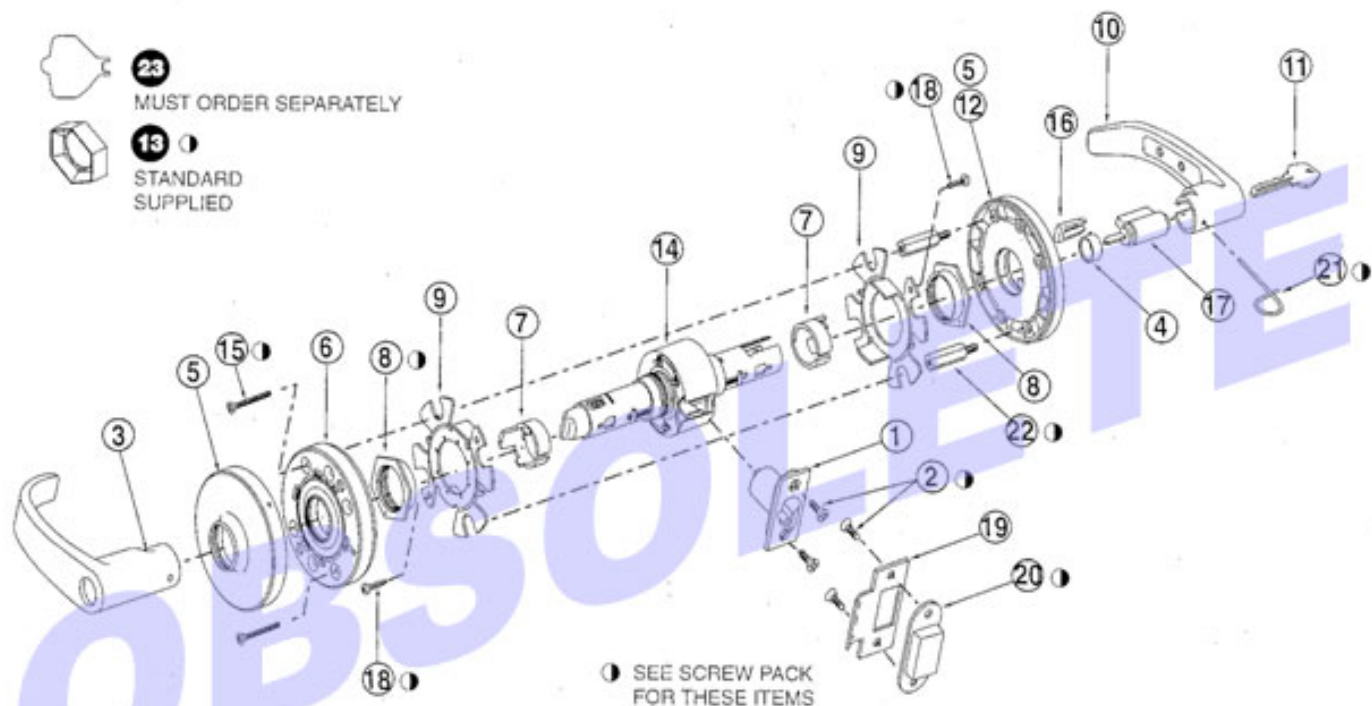


-  **23**  
 MUST ORDER SEPARATELY
-  **13**  
 STANDARD SUPPLIED



 SEE SCREW PACK FOR THESE ITEMS

10 LINE LEVER LOCKSET (LOCKS MANUFACTURED AFTER 7/01)  
 05 FUNCTION SHOWN

PARTS LIST	
PAGE NO.	REV.
10.4	6/28/02

This parts page covers product manufactured prior to February, 17 2004.