

# PARTS LIST

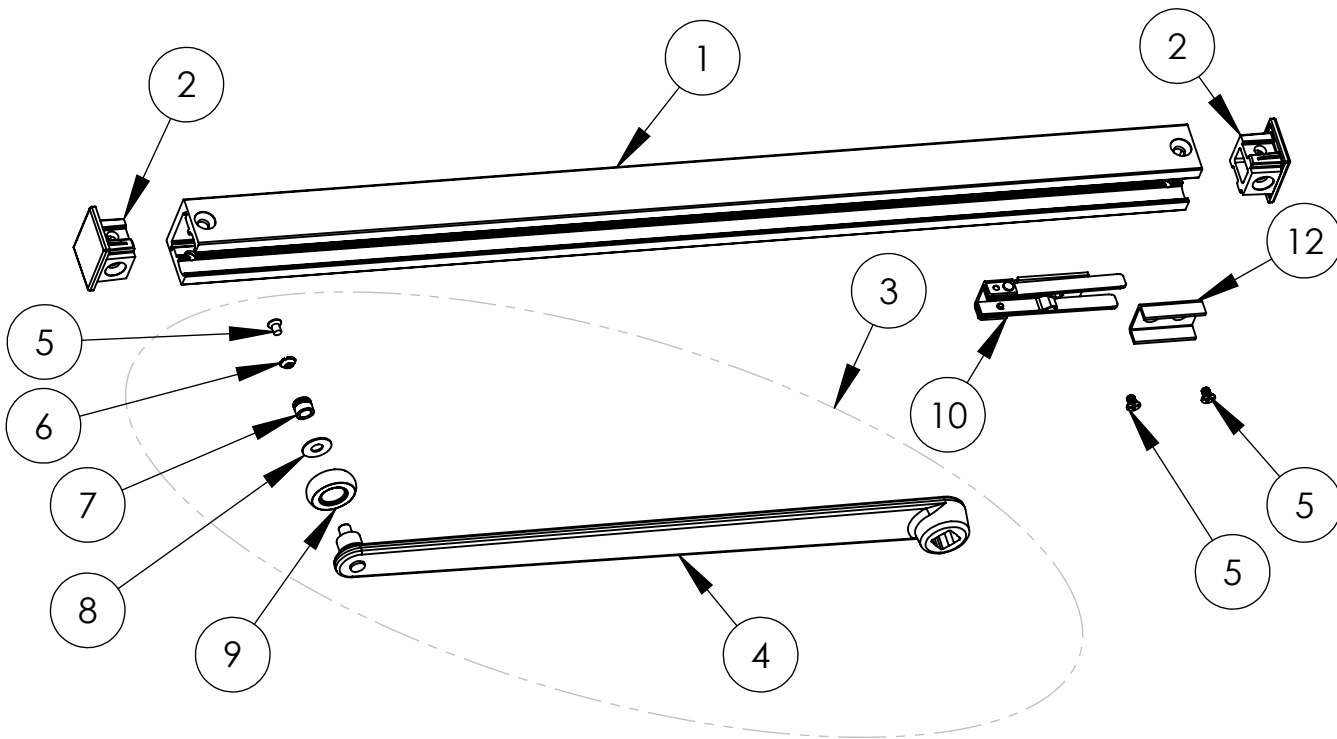
## 25-HT TRACK TYPE ARM WITH HOLD OPEN, PULL SIDE

### PARTS LIST

PAGE No. 15 REV. B

3/2011

ITEM No.	PART No.	DESCRIPTION	QTY.
1	*63-0157	CHANNEL PULL	1
2	*63-0682	END CAP	2
3	*63-3901	MAIN ARM ASSEMBLY (TRACK TYPE)	1
4	*63-0629	MAIN ARM	1
5	01-1028	8-32 x 1/4" FLAT UNDERCUT HEAD SCREW	3
6	01-0930	COUNTERSUNK LOCK WASHER	1
7	63-0738	ROLLER BUSHING	1
8	63-0687	WASHER	1
9	63-3900	ROLLER & BEARING ASSEMBLY	1
10	63-2063	SPRING SLIDE ASSEMBLY	1
11	*63-3482	SCREW PACK (NOT SHOWN)	1
12	63-0678	SPRING SUPPORT	1



\* FINISH REQUIRED: POWDER COAT FINISHES - EB, EN, ED, EP, EAB.

© SARGENT Manufacturing Company. An ASSA ABLOY Group Company. All Rights reserved.

**SARGENT**  
**ASSA ABLOY**