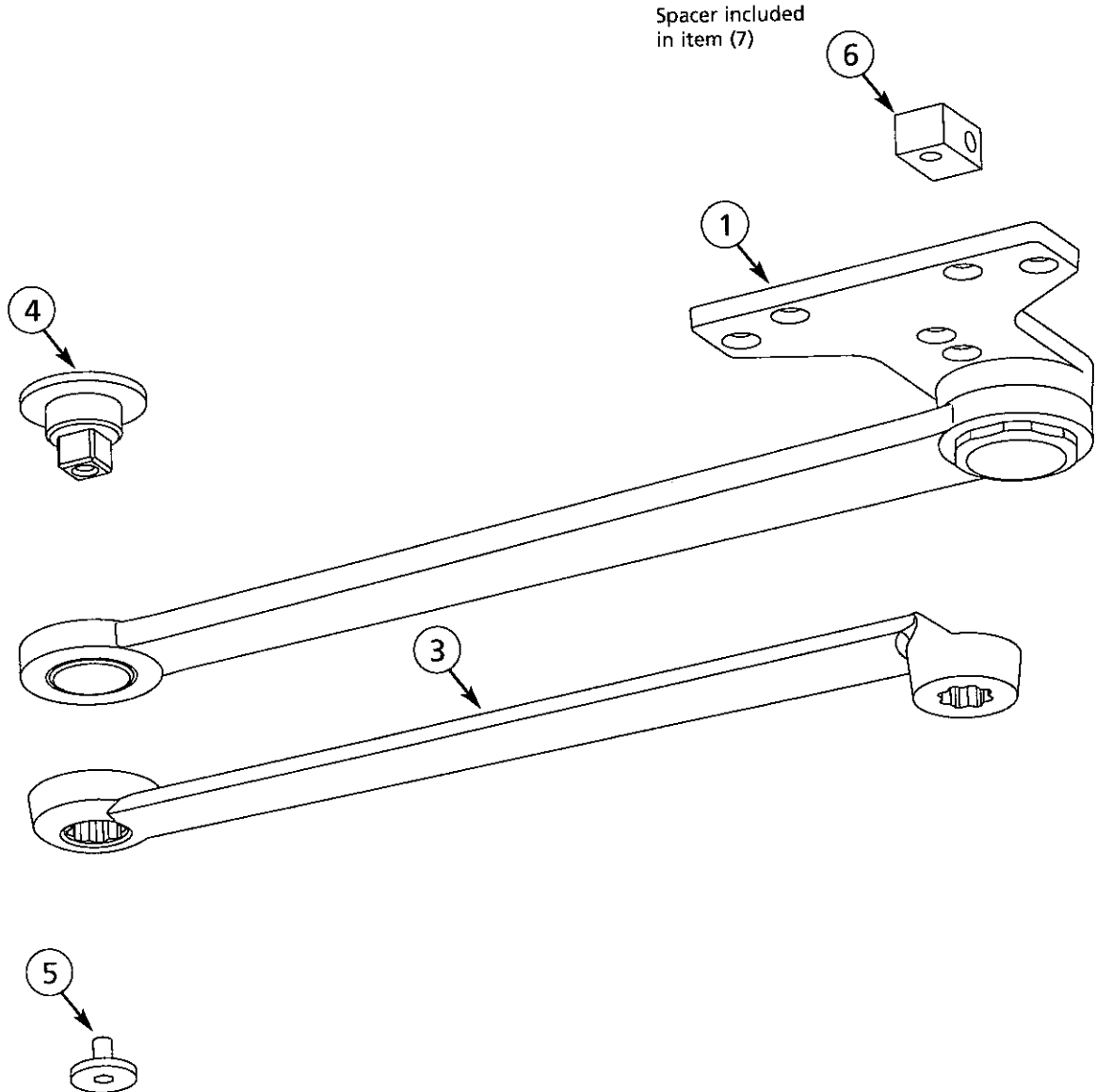


25-P10/SP10 Heavy Duty Parallel Arm

PARTS LIST	
PAGE NO.	REV.
8	A
DATE:	4/1/04



ITEM	PART No.	DESCRIPTION	QTY
1	* 63-3727	P10 arm and bracket assembly	1
2	* 25-SP10	SP10 security arm assembly (not shown) consists of items 1, 3, 4, 5 permanently assembled	1
3	* 63-0641	Main arm	1
4	* 63-0700	Pivot	1
5	* 01-9145	Screw (pivot)	1
6	63-0191	Spacer	1
7	* 63-2392	P10/SP10 arm mounting screw pack (not shown)	1
8	* 01-2300	Wood screw #12 x 1-1/2" (not shown)	4
9	* 01-2303	Wood screw #12 x 2-1/4" (not shown)	1
* Finish required: Powder coat finishes – EB, EN, ED, EP, EAB Plated finishes – 3, 4, 9, 10, 10B, 26, 26D			