

## Selective Hold Open Now Standard on SafeZone<sup>®</sup>

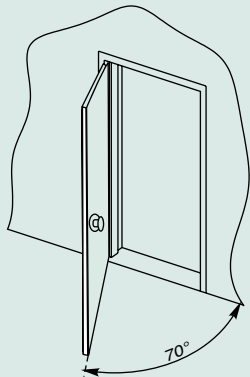
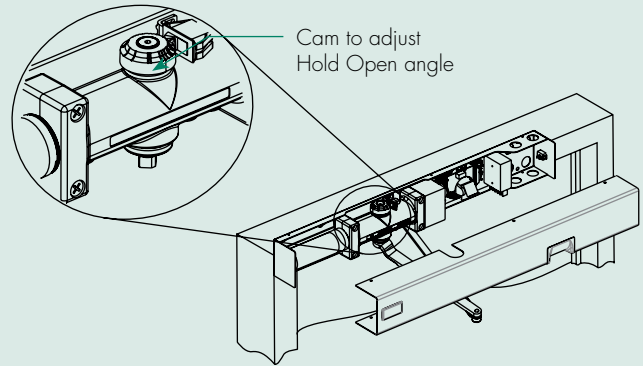
SafeZone<sup>®</sup> is a revolutionary multi-point, electromechanical closer that senses movement in the opening and holds the door open, offering safe passage. Effective May 15, 2015, all units will be supplied with Selective Hold Open.

Selective Hold Open activates the viewing sensor only when the door opens beyond a specific angle. Once the door is manually opened past the set point, *SafeZone* holds the door until movement is no longer detected. If the door is not opened to the predetermined opening angle, *SafeZone* operates like a regular door closer and simply closes the door.

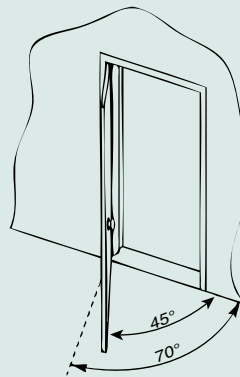
The opening angle at which the sensor activates can be set easily in the field by simply turning a cam.

Ideal applications for this option include theaters, labs and research facilities, food service entrance doors and utility service doors.

In the example below, the selectable hold open angle is set to 70°. Note that it can be set to any angle desired.



When the door opens to or beyond 70°, *SafeZone* functionality is enabled and door is held open until no movement is detected.



When the door is only opened to 45°, *SafeZone* functionality is not activated and the door closes normally.

### How to Order

Specify model number, voltage, hand and finish  
Ex: 7123SZ x 120V x RH x 689

Catalog and price sheets have been updated and posted online.

Please distribute this bulletin to everyone in your distributorship who specifies and/or purchases Norton products. Insert this announcement in the Norton section of your Door Controls full line catalog.

Norton Door Controls  
3000 Highway 74 East • Monroe, NC 28112  
Tel: 1-877-974-2255 • Fax: 1-800-338-0965

Norton<sup>®</sup> is a registered trademark of Yale Security Inc., an ASSA ABLOY Group company. These materials are protected under U.S. copyright laws. All contents current at time of publication. Copyright © 2015, Yale Security Inc., an ASSA ABLOY Group company. All rights reserved. Reproduction in whole or in part without the express written permission of Yale Security Inc. is prohibited.

43317-5/15N