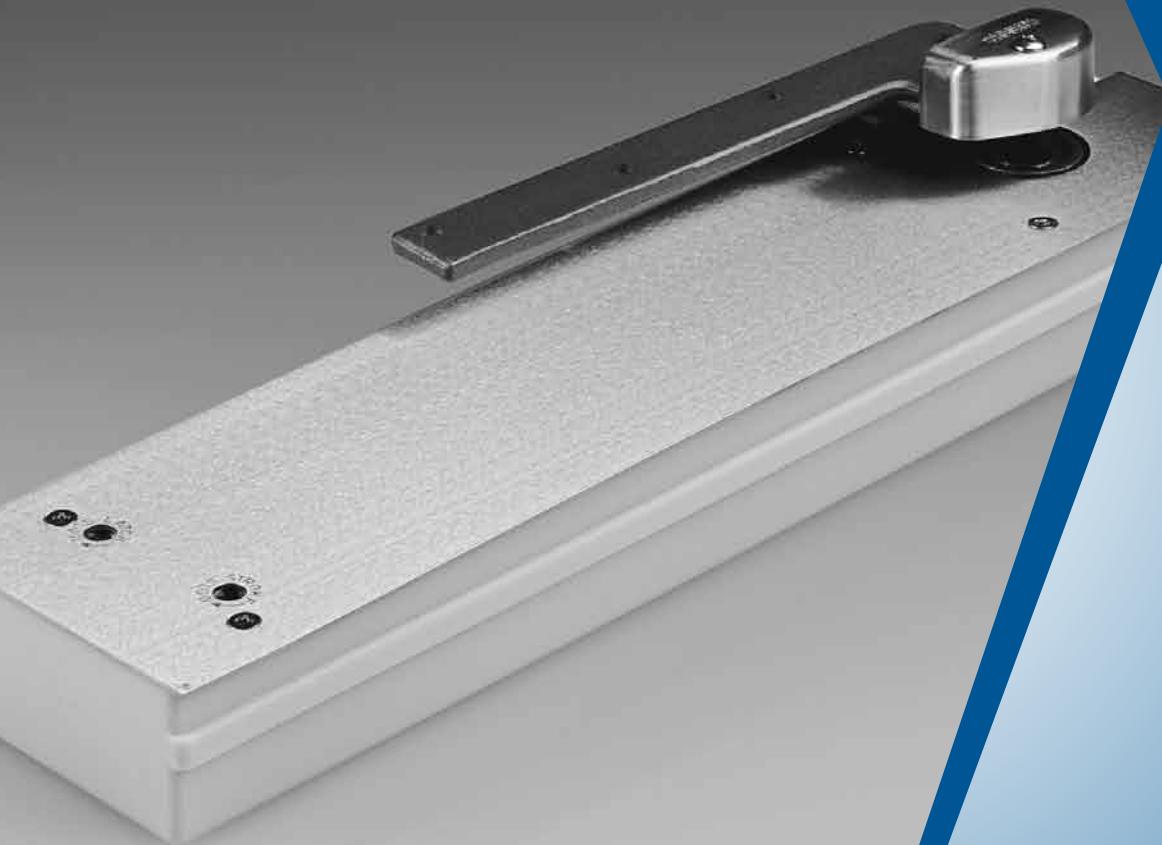


# Shallow Depth Floor Closers

Complete Premium Door Control for  
Medium-Duty Interior Doors Where  
Concealment is Desired



**RIXSON**  
**ASSA ABLOY**

ASSA ABLOY, the global leader  
in door opening solutions

---

General Information .....	3
How to Select Product .....	4
Options .....	5-6
Certifications.....	6
Limited Warranty .....	6
Specifications.....	6
 <b>Offset Hung Floor Closer</b>	
51 Offset Floor Closer .....	7
F53 Closer Independently Hung – Hanging Means by Others .....	8
Q51/QT51 Closer with Quick Install™ Mounting 1-3/4 Door .....	9
HM51 Closer with Butts for Hollow Metal Installations 1-3/4 Door .....	10
 <b>Intermediate Pivots</b>	
M19/M190.....	11
 <b>Pocket Pivot</b>	
F519 .....	11
 <b>Single Acting Center Hung Floor Closer</b>	
50 x 554 Closer with Flat Low Profile Arm .....	12
50 Closer with Arm Centering Screws .....	13
5040 Closer with Patch Fittings .....	14
 <b>Double Acting Center Hung Floor Closer</b>	
5020 Double Acting Floor Closer .....	15
 <b>Optional Center Hung Top Pivot</b>	
345.....	16
 <b>Quick Reference of Options</b> .....	17
<b>How to Order</b> .....	17
<b>Parts Drawings</b> .....	18-23

# SHALLOW DEPTH FLOOR CLOSERS

## GENERAL INFORMATION

Floor closers provide the best mechanical means to support and control a door. They are designed to work with the laws of physics to provide long-lasting performance and reliability. The Rixson® shallow depth floor closers are recommended for low to moderate traffic interior doors, where traditional floor closer depth is too great for slab construction. Not recommended for high-traffic or exterior doors.

### The weight of the door is supported by bottom arm and floor

- Uses laws of gravity to its advantage
- Door swings with less resistance
- Reduced stress on frame
- Fasteners are in shear, not tension
- Eliminates door sag
- Vertically adjustable
- Thrust bearing supports vertical load
- Needle bearings for lateral forces

### Interchangeable spindle adapters

- Up to 2" longer than standard in 1/2" increments

### Bottom arm directly attached to closer spindle

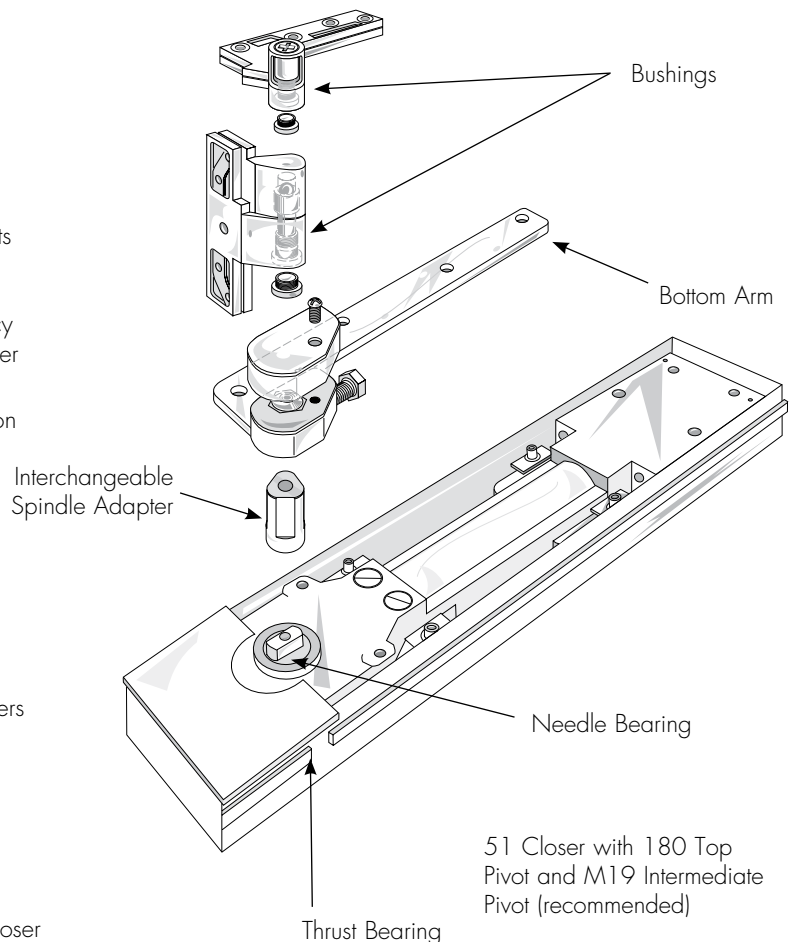
- A mechanical advantage that increases efficiency insuring that ICC/ANSI A117.1 compliant, lower opening forces will still close the door
- One to one ratio of door swing to spindle rotation makes control more precise
- Floor closers are more efficient than a regular arm surface closer

### Advantages of concealed floor closers

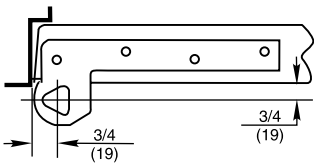
- Aesthetics – let the beauty of the door and its surroundings take center stage
- Vandal resistant – mechanism not exposed
- The solution for arch top doors – offset floor closers
- Both mechanical advantages and aesthetics – a concealed floor closer exclusive

### Many different models to choose from

- Use standard product with a top pivot for the best efficiency
- Use a quick install (Q) model to facilitate easy closer removal
- Use model HM with 3/4" offset hinges for hollow metal doors and frames prepared for 4-1/2" hinges
- Closer can be offset hung, center hung or independently hung, single acting or double acting (center hung only)

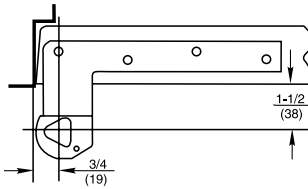


1. OFFSET VS. CENTER HUNG APPLICATION



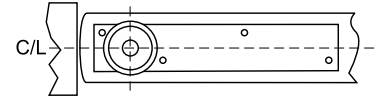
**3/4" Offset**

Pivot point located 3/4" from the heel edge of the door and 3/4" from face of door.



**1-1/2" Offset**

Pivot point located 3/4" from the heel edge of the door and 1-1/2" from face of door. Used on doors with cladding on face or trim on frame



**Center Hung**

Pivot point centered in thickness of door. Distance from heel edge can vary 2-3/4" and up (not for use on fire rated doors)

2. SIZE OF DOOR (WIDTH, HEIGHT, THICKNESS)

Estimated door weights pounds per square foot (PSF)

DOOR MATERIAL	DOOR THICKNESS		
	1-3/4"	2-1/4"	3"
Hollow Metal	6.5	7	—
Solid Core Wood	7	9	11.5
Aluminum/Glass Storefront	3.5	4	—
MDF	7	9	11.5
TEMPERED GLASS	GLASS THICKNESS		
	3/8"	1/2"	3/4"
	5	7	9.75
3/4" CLADDING	CLADDING MATERIAL		
	Wood 3		

Example: 3/0 X 7/0 X 1-3/4"  
Door: 21sq ft x 7lb./sq ft = 147lbs

Example: 3/6 X 8/0 X 1/2" Tempered Glass Door  
Door: 28sq ft x 7lb./sq ft = 196lbs

For doors of other sizes consult factory

3. EXPECTED FREQUENCY OF DOOR OPERATION

Application	Daily	Yearly	
Large department store entrance	5,000	1,500,000	
Large office building entrance	4,000	1,200,000	
Theater entrance	1,000	365,000	
School entrance	1,250	225,000	High
School restroom door	1,250	225,000	(Use heavy weight product)
Store or bank entrance	500	150,000	
Office building restroom door	400	118,000	
School corridor door	80	15,000	
Office building corridor door	75	22,000	Average
Store restroom door	60	18,000	
Residential entrance door	40	15,000	
Residential restroom door	25	9,000	
Residential hallway door	10	3,600	Low
Residential closet door	6	2,200	

### Delayed Action – Prefix DA

After full open permits door to remain ajar (at 70 degrees) for up to 40 seconds. Operates by separate valve and can be shut off if not needed. Not available on closers with hold open feature. Closers with DA feature do not have backcheck.

### Physically Handicapped – Prefix PH

To comply with ICC/ANSI A117.1 and guidelines established by the Americans with Disabilities Act, PH prefix indicates 5 pounds of opening force, based at 30" from centerline of pivot. PH closers may not be used on labeled fire doors. Rixson® accepts no responsibility for PH closers and door latching. Also, be advised that ADA guidelines DO NOT apply to fire rated openings or exterior doors.

### Wood Door – Prefix W

When using a center hung product with the centering arm (e.g., 5010 and 5020) a special plate and less obtrusive adjusting screws are needed for wood doors. This plate is reinforcement for the deep mortise required for that arm, protecting the veneer.

### Fire Rated – Prefix F

Closer packages for fire rated doors (up to 3 hours) include a steel top pivot and must have additional steel intermediate pivots. These closers are non-hold open.

### Twenty Minute Label – Suffix -20

This UL rating is for 20-minute doors. Pivots are brass-based material and include a visible label.

### Less All Parts – Suffix LAP

If closer is needed for replacement, the arm, cover, cement case, top pivot and floor plate are omitted.

### Less Floor Plate – Suffix LFP

When thresholds or cover pans are being used the closer doesn't need the decorative floor plate.

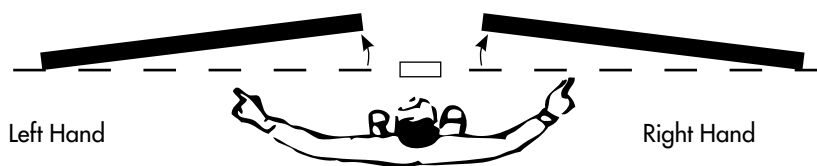
### Less Cement Case – Suffix LCC

For existing installations or when cement case has been sent earlier in construction. Closer will be packaged without the cement case.

### Less Top Pivot – Suffix LTP

For unusual head conditions where the top pivot cannot be used, the closer is shipped without the top pivot. For offset installations an additional load bearing intermediate (side jamb) M190 pivot is required. All intermediate pivots for that opening should be M190's, not M19's.

### How to Determine Hand of Door



Face a door swinging open away from you. If it opens to the right, it is right handed. If it opens to the left, it is left handed.

**Non Hold Open – Suffix NBC**

These closers do not hold the door open. This feature cannot be changed in the field.

**Automatic Hold Open – Suffix ABC**

These closers hold the door open. This feature cannot be changed in the field. Specify 90°, 105° or 180°.

**Hand – Suffix RH or LH**

All single acting floor closers are handed. All double acting floor closers (5020) are non-handed.

**Extended Spindle – Suffix Extra Length**

Any special coverings or severe door undercuts will require an extended spindle. See product template to determine if an extended spindle is needed. Extended spindles are available in 1/2" increments up to 2" longer than standard.

**1-1/2" Offset – Suffix 1-1/2**

Offset is the distance from the face of the door to the pivot point. Extended offsets should not be used unless there is cladding on the face of the door or there is trim to clear on the frame. 1-1/2" offset arms and pivots are for doors with cladding or trim that project 3/4" from the face of the door.

**Cover Pan (Terrazzo) – Suffix Part Number**

Closers should always be accessible. They should never be buried beneath flooring materials. A cover pan sits on top of the closer and has the flooring material set in it. This way the sight line for the floor is consistent. Cover pans may require closers with longer spindles. See cover pan template to determine spindle length needed.

**Special Layouts – Suffix SPLO#**

Unique installations or specially engineered products are called special layouts. These numbers must be assigned by the technical support department and they must be called out specifically by their number when ordered.

---

CERTIFICATIONS

All Rixson® shallow depth floor closers conform to ANSI/BHMA A156.4 Standards. See individual products for sub sections.

---

LIMITED WARRANTY

Rixson® shallow depth floor closers, models 50, 51 and F53 are warranted for 2 years against defect. See Rixson® Price Book for specific details of the limited warranty.

---

SPECIFICATION

Interior door floor closers shall be models 50 (center hung), 51 (offset hung) or F53 (independently hung). These closers shall have separate and independent checking valves to control latch speed, closing speed and adjustable hydraulic backcheck. All closers shall have a minimum of two bearings internal to the closer. One shall be a thrust bearing and the other a needle bearing. Separate bearing surfaces shall be in the top pivot. Closers shall have cases no more than 2" deep. Fire rated model F51 shall have steel top pivots. Male spindle assemblies shall have removable spindle adapters, changeable in the field.

# SHALLOW DEPTH FLOOR CLOSERS

## 3/4" OFFSET HUNG

### MODEL 51

#### Application

- Single Acting, Handed
- Interior Doors
- Weight to 250 lbs.\*
- Door Width up to 4'0" (1219mm)



ANSI/C06041/C06051

\* Door size & weight guidelines are determined using the appropriate number of intermediate pivots

#### Product Description & Features

- Interchangeable spindle adapters
- Allows doors to swing 180°, trim permitting
- Separate and independent valves for closing speed, latch speed and backcheck
- Available non-hold open (NBC) or automatic hold open (ABC) specify 90°, 105° or 180°
- Doors will swing 5° beyond hold open point
- Delayed action option – prefix "DA" (non-hold open only). Closer will not have backcheck
- Order spring sizes 3 through 5:

Model	Door Width
5103	36" (914mm)
5104	42" (1067mm)
5105	48" (1219mm)

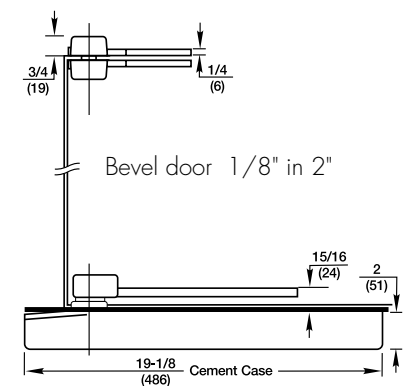
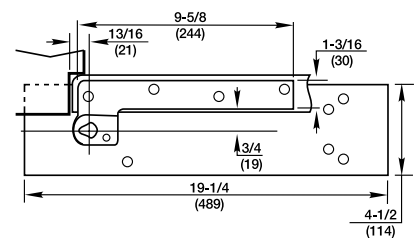
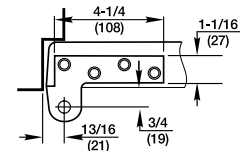
- Models available to meet ICC/ANSI A117.1 low opening force requirements. Prefix "PH"

Model	Door Width
PH5102	42" (1067mm)
PH5103	48" (1219mm)

- Available with floor plate or threshold installation (floor plate shown)
- Available 1-1/2" offset, for doors with cladding or frames with applied molding. Maximum door weight 175 lbs
- Cylolac, rustproof cement case
- Vertical door adjustment
- Standard top pivot #180 included
- For arch top doors or applications where a 180 top pivot cannot be used, supply at least two each M190 load bearing intermediate pivots, mounted together at the top of the vertical edge
- Intermediate pivot recommended: M19 (order separately), see page 11
- Doors up to 90" (2286mm) in height should use one intermediate pivot. Each additional 30" (762mm) warrants another intermediate pivot
- For fire rated openings (up to 3 hour assemblies) prefix "F". This package will be supplied with a steel top pivot (F180) and a non-hold open closer. Intermediate pivot required: FM19, order separately, see page 11
- For 20-minute label doors – suffix "-20" to the part number
- Furnished with wood and machine screws
- Extended spindles available in 1/2" increments up to 2" longer than standard

#### Technical Information

Frame stop required



MODEL F53

**Application**

- Single Acting, Handed
- Interior Doors
- Door Width up to 4'0" (1219mm)
- Weight to 250lb



ANSI/C06031

**Product Description & Features**

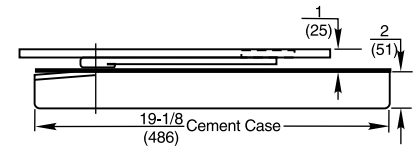
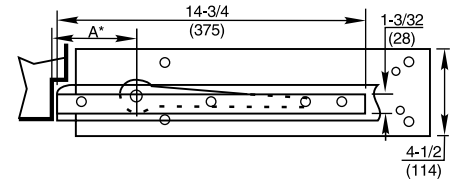
Used as a concealed floor closer for independently hung doors i.e. butt hinges, pocket pivots, etc.

- Closer does not support weight of door
- Note: Hanging means used must be specified when ordering. Check product template. If your hanging means are not listed, contact factory for special layout and pricing**
- Interchangeable spindle adapters
- Auxiliary stop recommended
- Includes closer, mortised rail and arm with slider
- Separate and independent valves for closing speed, latch speed and backcheck.
- Not available in "PH" "DA" or hold open
- Order spring sizes 3 through 5:
 

Model	Door Width
F5303	36" (914mm)
F5304	42" (1067mm)
F5305	48" (1219mm)
- Floor plate standard. For threshold applications a 1/2" extended spindle is required
- Cylolac rustproof cement case
- This closer carries a UL listing for 3-hour fire door assemblies. Fire rated hanging means required
- Furnished with wood and machine screws
- Extended spindles available in 1/2" increments up to 2" longer than standard
- Maximum swing 90°

**Technical Information**

Frame stop required  
Door shown parallel to frame



\*"A" determined by door hanging means

MODEL F5310

**Application**

- Single Acting, Handed
- Interior Doors
- Door Width up to 4'0" (1219mm)



ANSI/C06031

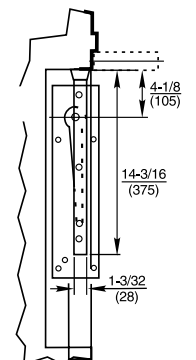
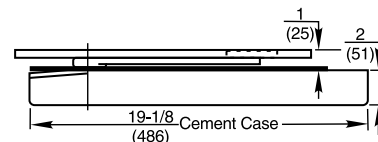
**Product Description & Features**

Identical to Model F53 except:  
For use in 90° pocket door installations where closer is located in the pocket. Can only be used with F519 pocket pivots

- Specially milled spindle allows positive latch speed control

**Technical Information**

Door shown perpendicular to frame





# SHALLOW DEPTH FLOOR CLOSERS

## 3/4" OFFSET HUNG

### MODEL Q51/QT51

#### Application

- Single Acting, Handed
- Interior Doors
- Weight to 250 lbs. \*
- Door Width up to 4'0" (1219mm)
- 1-3/4" thick only



ANSI/C06041/C06051

\* Door size and weight guidelines are determined using the appropriate number of intermediate pivots

#### Product Description & Features

Surface attached bottom arm allows closer removal without demounting door.

- "Q" closers have a floor plate (shown)
- For threshold applications prefix "QT" no floor plate will be supplied
- 3/4" offset only
- Interchangeable spindle adapters
- Mortise arm with thru bolt attachment
- Increased depth of cement case for easy closer removal
- Separate and independent valves for closing speed, latch speed and backcheck
- Available non-hold open (NBC) or automatic hold-open (ABC) specify 90° or 105°
- Doors will swing 5° beyond hold open point
- Delayed-action option – prefix "DA" (non-hold open only). Closer will not have backcheck
- Order spring sizes 3 through 5

Model	Door Width
Q (QT) 5103	36" (914mm)
Q (QT) 5104	42" (1067mm)
Q (QT) 5105	48" (1219mm)

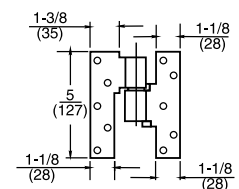
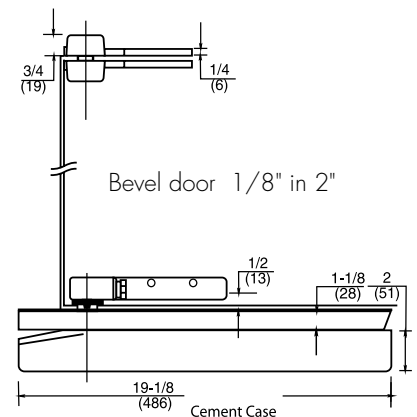
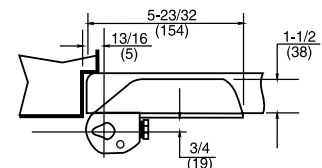
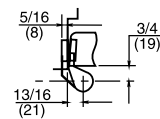
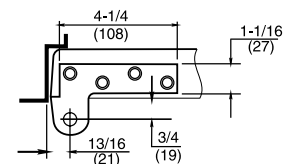
- Models available to meet ICC/ANSI A117.1 low opening force requirements. Prefix "PH"

Model	Door Width
PHQ (QT) 5102	42" (1067mm)
PHQ (QT) 5103	48" (1219mm)

- Cylolac, rustproof cement case
- Vertical door adjustment
- Standard top pivot #180 included
- For arch top doors, consult factory
- One M19 intermediate pivot included.  
Note: Closer cannot be ordered without the intermediate pivot
- Doors up to 90" (2286mm) in height should use one intermediate pivot (included). Each additional 30" (762mm) warrants another intermediate pivot
- For fire rated openings (up to 3 hour assemblies), prefix "F". This package will be supplied with a steel top pivot (F180), one intermediate pivot (FM19) and a non-hold open closer
- For 20-minute label doors suffix "20" to the part number
- Furnished with machine and wood screws
- Extended spindles available in 1/2" increments up to 2" longer than standard

#### Technical Information

Frame stop required



MODEL HM51

**Application**

- Single Acting, Handed
- Interior Doors
- 1-3/4" Hollow Metal Doors & Frames
- Weight to 250 lbs.
- Door Width up to 4'0" (1219mm)



ANSI/C06041/C06051

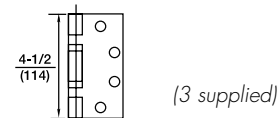
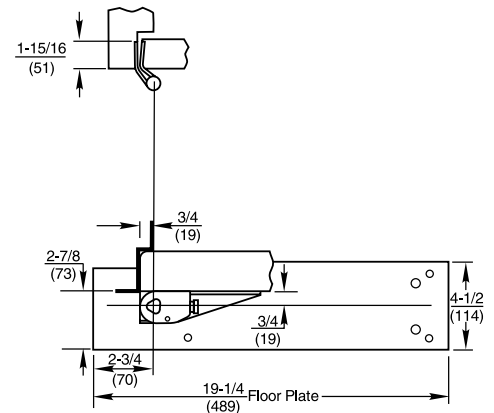
**Product Description & Features**

Designed for stock hollow metal doors and frames with standard weight 4-1/2" hinge preparation.

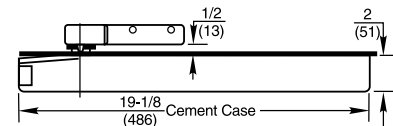
- Interchangeable spindle adapters
- Includes three special steel 4-1/2" ball bearing standard weight hinges with 3/4" offset. Doors over 90" in height warrant an additional hinge
- Surface mounted bottom arm with thru bolts
- Separate and independent valves for closing speed, latch speed and backcheck
- Available non-hold open (NBC) or automatic hold open (ABC) specify 90° or 105°
- Doors will swing 5° beyond hold open point
- Delayed action option – prefix "DA" (non-hold open closers only). Closer will not have backcheck
- Order spring sizes 3 through 5:  
Model Door Width  
HM5103 36" (914mm)  
HM5104 42" (1067mm)  
HM5105 48" (1219mm)
- Models available to meet ICC/ANSI A117.1 low opening force requirements. Prefix "PH"  
Model Door Width  
PHHM5102 42" (1067mm)  
PHHM5103 48" (1219mm)
- Available with floor plate or threshold installation (floor plate shown)
- Cylolac, rust proof cement case
- For fire rated openings (up to 3-hour assemblies), prefix "F". This package will be supplied with three steel hinges and a non-hold open closer
- Furnished with 1/2" wood and full machine screws
- Extended spindles available in 1/2" increments up to 2" longer than standard

**Technical Information**

Frame stop required



Bevel door 1/8" in 2"



# SHALLOW DEPTH FLOOR CLOSERS INTERMEDIATE PIVOTS

## MODEL M19/M190

### Application

- Full Mortise
- Handed

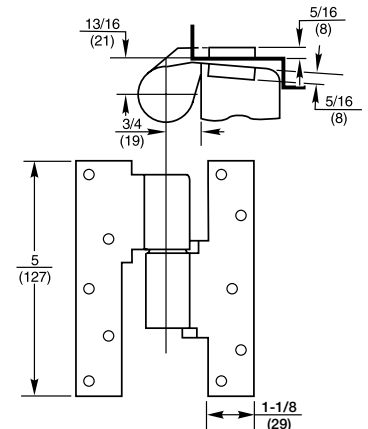


ANSI/C07321/C07371

### Product Description & Features

- M19, bushing, not load bearing
- M190, needle bearing, load bearing
- Maintains door alignment
- Aids in installing closers and bottom pivots
- Non ferrous base material
- 3/4" (19mm) offset standard
- Available in 1-1/2" (38mm) offset
- Available for fire door assemblies (ferrous material) specify FM19 or FM190
- Doors up to 90" (2286mm) in height should use one intermediate pivot. Each additional 30" (762mm) warrants another intermediate pivot
- For 20-minute label suffix "-20" to the part number
- Furnished with wood and machine screws
- For arch top doors or applications where a 180 top pivot cannot be used, supply at least two each M190 load bearing intermediate pivots, mounted together at the top of the vertical edge

### Technical Information



## MODEL F519

### Application

- Pocket Door Pivot
- Non-Handed

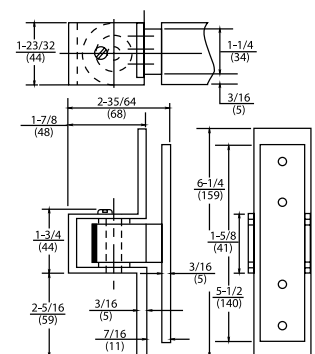


ANSI/A8911/C07611

### Product Description & Features

- Full mortise, non-handed pivot for pocket door applications
- Heavy-duty steel pivot with ball bearings
- Allows doors to swing 90°
- Minimum three pocket pivots per door
- Doors over 90" (2286mm) in height require four pocket pivots. Each additional 30" (762mm) warrants another pocket pivot
- UL listed for all labeled pocket fire-door assemblies up to and including 3 hours
- Fire-rated door assemblies must have been tested with pocket pivots
- Furnished with wood and machine screws

### Technical Information



MODEL 50 X 554 ARM

**Application**

- Single Acting, Handed
- Interior Doors
- Concealed Arm
- Weight to 250 lbs.
- Door Sizes up to 4'0" x 8'0" (1219 x 2438mm)



ANSI/C06021

**Product Description & Features**

Concealed arm is designed to eliminate visible adjusting screws on face of door

- Arm bolt locks arm to closer spindle – adjustment made through heel of door
- Interchangeable spindle adapters
- Separate and independent valves for closing speed, latch speed and backcheck
- Available non-hold open (NBC) or automatic hold open (ABC) specify 90° or 105°
- Delayed action option – prefix "DA" (non-hold open only) closer will not have backcheck
- Order spring sizes 3 through 5:

Model	Door Width
5013 x 554	36" (914mm)
5014 x 554	42" (1067mm)
5015 x 554	48" (1219mm)

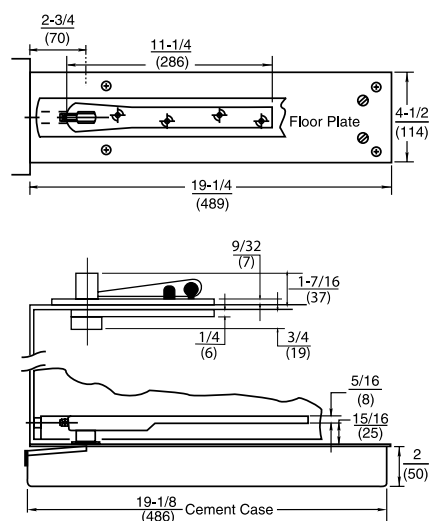
- Models available to meet ICC/ANSI A117.1 low opening force requirements. Prefix "PH"

Model	Door Width
PH5012 x 554	42" (1067mm)
PH5013 x 554	48" (1219mm)

- Available with floor plate or threshold installation (floor plate shown)
- Cylolac, rustproof cement case
- Standard top pivot #340 included
- Not allowed for fire rated doors
- Frame stop required at lock edge. If not supplied by frame manufacturer, recommend use of 60131 (see Door Control Accessories, page 8)
- Furnished with wood and machine screws
- Extended spindles available in 1/2" increments up to 2" longer than standard

**Technical Information**

Frame stop required at lock edge



Door edges must be radiused

# SHALLOW DEPTH FLOOR CLOSERS SINGLE ACTING CENTER HUNG

**RIXSON®**  
**ASSA ABLOY**

## MODEL 50

### Application

- Single Acting, Handed
- Interior Doors
- Centering Arm
- Weight to 250 lbs.
- Door Sizes up to 4'0" x 8'0" (1219 x 2438mm)



ANSI/CO6022

### Product Description & Features

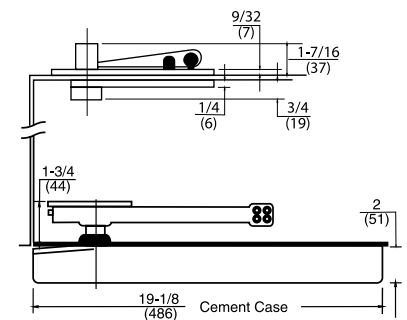
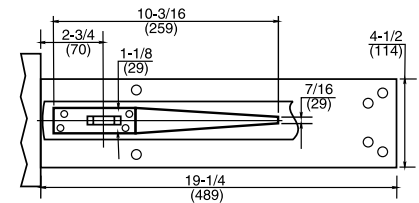
- Centering arm with adjustment screws in faces of door
- Interchangeable spindle adapters
- Separate and independent valves for closing speed, latch speed and backcheck
- Available non-hold open (NBC) or automatic hold open (ABC) specify 90° or 105°
- Delayed action option – prefix "DA" (non-hold open only). Closers will not have backcheck
- Order spring sizes 3 through 5:
 

Model	Door Width
5013	36" (914mm)
5014	42" (1067mm)
5015	48" (1219mm)
- Models available to meet ICC/ANSI A117.1 low opening force requirements. Prefix "PH"
 

Model	Door Width
PH5012	42" (1067mm)
PH5013	48" (1219mm)
- Available with floor plate or threshold installation (floor plate shown)
- Cylolac, rustproof cement case
- Arm reinforcement bracket for wood doors prefix "W"
- Standard top pivot #340 included
- Not allowed for fire rated doors
- Frame stop required at lock edge. If not supplied by frame manufacturer, recommend use of 60131 (see Door Control Accessories, page 8)
- Furnished with wood and machine screws
- Extended spindles available in 1/2" increments up to 2" longer than standard

### Technical Information

Frame stop required at lock edge



Door edges must be radiused

MODEL 5040

**Application**

- Single Acting, Handed
- Interior Doors
- Full Glass Doors
- Weight to 200 lbs.
- Door Sizes 3'6" x 8'0"



**Product Description & Features**

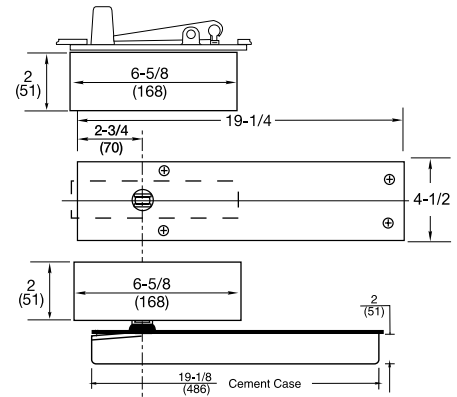
- Top and bottom patch fittings for tempered glass doors 3/8" - 1/2" thick
- Interchangeable spindle adapters
- Separate and independent valves for closing speed, latch speed and backcheck
- Available non-hold open (NBC) or automatic hold open (ABC) specify 90° or 105°
- Delayed action option – prefix "DA" (non-hold open only). Closers will not have backchecks. Not recommended for full glass doors
- Order spring sizes 3 and 4:
 

Model	Door Width
5043	36" (914mm)
5044	42" (1067mm)
- Models available to meet ICC/ANSI A117.1 opening force requirements. Prefix "PH"
 

Model	Door Width
PH5042	42" (1067mm)
- Floor plate standard. For threshold application, an extended spindle is required (floor plate shown). There is no vertical adjustment
- Cicolac rustproof cement case
- Special top pivot included
- For extended spindles contact factory
- Available in 605, 629 & 630 finishes

**Technical Information**

Frame stop required at lock edge



# SHALLOW DEPTH FLOOR CLOSERS

## DOUBLE ACTING CENTER HUNG

### MODEL 5020

#### Application

- Double Acting, Non-Handed
- Interior Doors
- Weight to 250 lbs.
- Door Sizes up to 4'0" x 8'0" (1219 x 2438mm)



ANSI/CO6012

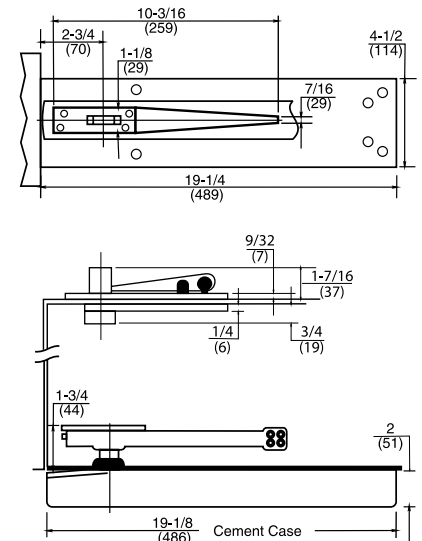
#### Product Description & Features

- Centering arm with adjustment screws in faces of door (critical for double acting doors)
- Interchangeable spindle adapters
- Separate and independent valves for closing speed, latch speed and backcheck
- Available non-hold open (NBC) or automatic hold open (ABC) specify 90°, 105°
- Door may only swing 130° in either direction
- Delayed action option – prefix "DA" (non-hold open only). Closers will not have backcheck
- Auxiliary stop required
- Order spring sizes 3 through 5:
 

Model	Door Width
5023	36" (914mm)
5024	42" (1067mm)
5025	48" (1219mm)
- Models available to meet ICC/ANSI A117.1 low opening force requirements. Prefix "PH"
 

Model	Door Width
PH5022	42" (1067mm)
PH5023	48" (1219mm)
- Available with floor plate or threshold installation (floor plate shown)
- Cylolac, rustproof cement case
- Arm reinforcement bracket for wood doors – prefix "W"
- Standard top pivot #340 included
- Not allowed for fire rated doors
- Furnished with wood and machine screws
- Extended spindles available in 1/2" increments up to 2" longer than standard

#### Technical Information



Door edges must be radiused

MODEL 345

Application

- Fully Concealed
- Center Hung
- Non-handed
- Earthquake Tolerant
- Taller Doors

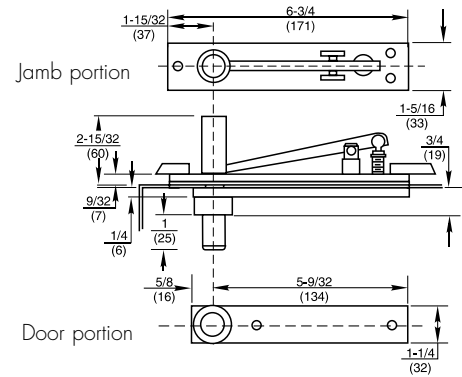


ANSI/CO7021

Product Description & Features

- Ideal for locations where there is a fear that dramatic building settling is possible. Also, for doors 8'0" - 9'0" in height
- Long pivot pin engages in top of door 1-3/4" (44mm).
- Can be used with any center hung floor closer. Order the closer LTP (less top pivot) and the 345 top pivot separately
- Walking beam-type pivot – 1/2" (13mm) diameter pivot pin
- Oil-impregnated sintered bronze bearing
- Completely concealed when door is closed
- Furnished with wood and machine screws

Technical Information





# SHALLOW DEPTH FLOOR CLOSERS

## QUICK REFERENCE OF OPTIONS/HOW TO ORDER

### REFERENCE

Prefix	Model	Degree if Hold Open	Holding Options	General Options	Handed	Maximum Weight*
DA, PH, F	51	90,105,180	NBC, ABC	Ext Spdl, 1-1/2 OS, -20	Yes	250
	F53		NBC	Extended Spindle	Yes	250
	F531		NBC	Extended Spindle	Yes	250
DA, PH, F	Q/QT51	90,105	NBC, ABC	Ext Spdl, -20	Yes	250
DA, PH, F	HM51	90, 105	NBC, ABC	Extended Spindle	Yes	250
DA, PH	50	90,105	NBC, ABC	Extended Spindle	Yes	250
DA, PH	5040	90,105	NBC, ABC	Extended Spindle	Yes	250
DA, PH	5020	90,105	NBC, ABC	Extended Spindle	No	250

\*Offset closer weight are for 3/4" and the use of an intermediate pivot.

### HOW TO ORDER

PH Prefix	510 Model	3 Spring Size	NBC Non-Hold Open	x 1/2" Ext Spdl Suffix	x LH Hand	x 626 Finish
<p>DA Delayed Action</p> <p>PH Lighter Spring (ADA)</p> <p>W Wd Dr (center hung)</p> <p>F Fire Rated Doors — not available with PH</p>	<p>510 Offset</p> <p>501 Center Hung Single Act</p> <p>F530 Independently Hung* Parallel to Frame</p> <p>F531 Independently Hung* Perpendicular to Frame</p> <p>504 Center Hung Single Act with Patch Fitting</p> <p>502 Center Hung Double Act</p> <p>Q/QT510 Quick Install</p> <p>HM510 Hollow Metal Door and Frame</p>	<p>2</p> <p>3</p> <p>4</p> <p>5</p>	<p>NBC Non-Hold Open</p> <p>90ABC Automatic Hold Open</p> <p>105ABC Automatic Hold Open</p> <p>180ABC Automatic Hold Open</p>	<p>554 Concealed Arm</p> <p>— Extended Spindles</p> <p>-20 1-1/2" Offset</p> <p>LAP 20 Minute Label</p> <p>LFP Closer Body Only</p> <p>LCC Less Floor Plate</p> <p>LTP Less Cement Case</p> <p>— Cover Pan</p> <p>SPLO (x depth) Special Layout #</p>	<p>RH Right</p> <p>LH Left</p> <p>Blank Double Acting</p>	<p>605 Bright Brass</p> <p>606 Satin Brass</p> <p>611 Bright Bronze</p> <p>612 Satin Bronze</p> <p>613 Dark Bronze</p> <p>613E Dark Oxidized Satin Bronze - equivalent</p> <p>618 Bright Nickel</p> <p>619 Satin Nickel</p> <p>622 Flat Black</p> <p>625 Bright Chrome</p> <p>626 Satin Chrome</p>

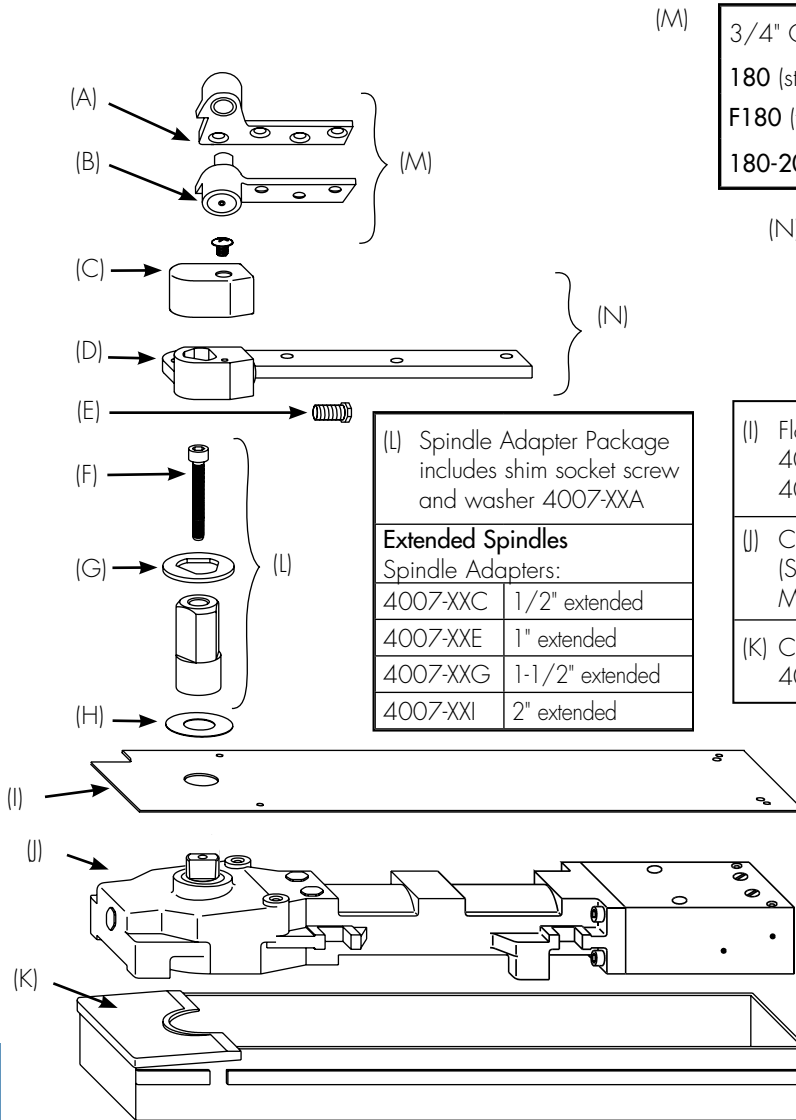
\*Hanging means must be noted on purchase order.

5040 only available in 605, 629 and 630

MODEL 51

Right Hand Shown  
3/4" Offset

(A) Pivot Stud 181770-ASY
(B) Hex Cap 181778-*
(C) Arm Cap & Screw 012142R*AS (RH, BRS) 012142L*AS (LH, BRS) 012144R*AS (RH, SS) 012144L*AS (LH, SS)
(D) 3/4" Offset Arm x Locking Screw 275177 (RH) 275176 (LH)
(E) Arm Locking Screw Only PKG (5) 88905
(G) Arm Bearing Washer 275062-PKG (5)
(H) Spindle Washer 519000-*



(M) 3/4" Offset Top Pivot Assembly <b>180</b> (standard) <b>F180</b> (fire rated up to 3 hours) <b>180-20</b> (20 minutes)
---

(N) Bottom Arm Package (Includes C, D and attaching screws) 252050R* (RH) 252050L* (LH)
--

(I) Floor Plate with Screws 4000500R*XXE (RH) 4000500L*XXE (LH)
---

(J) Closer Body (Specify Complete Model No. x LAP)
---

(K) Cement Case with Screws 4000301
--

<b>For 51 x 1-1/2" Offset</b>
<b>180x1-1/2" (standard)</b> <b>F180x1-1/2"</b> (fire rated up to 3 hours) <b>180-20x1-1/2"</b> (20 minutes)
1-1/2" Offset Arm x Locking Screw 275167-*
1-1/2" Offset Bottom Arm pkg 252060-*

Screw Kits
180 Screw Kit 107014 Machine (2) Req 107114 Wood (2) Req
Arm Screw Kit 107044 Machine 107144 Wood
Floor Plate Screw Kit 107004-*
Cement Case Screw Kit 107075

\*specify finish

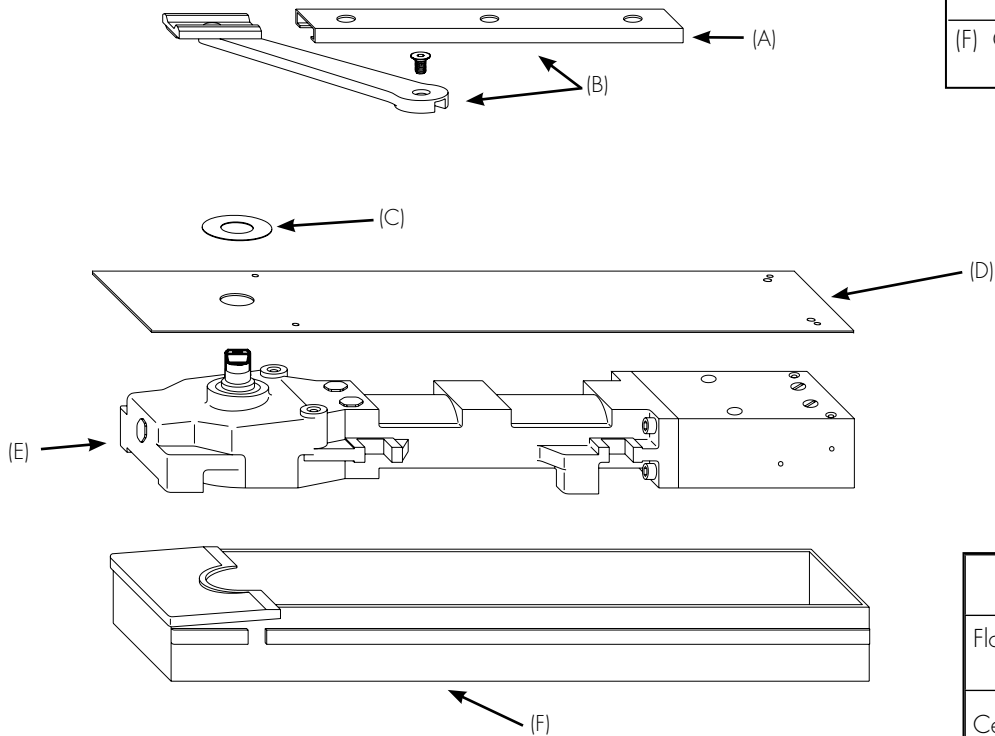
# SHALLOW DEPTH FLOOR CLOSERS

## PARTS DRAWINGS

MODEL F5300 & F5310

(A) Door Rail 327006
(C) Spindle Washer 519000-*

(B) Bottom arm package 3252010-*
(D) Floor Plate with screws 4000600-*XXA 4000600-*XXE ("BC")
(E) Closer Body (specify complete model no. LAP)
(F) Cement case with screws 4000301



Screw Kits
Floor Plate Screw Kit 107004-*
Cement Case Screw Kit 107075
Slide Track Screw Kit 107033

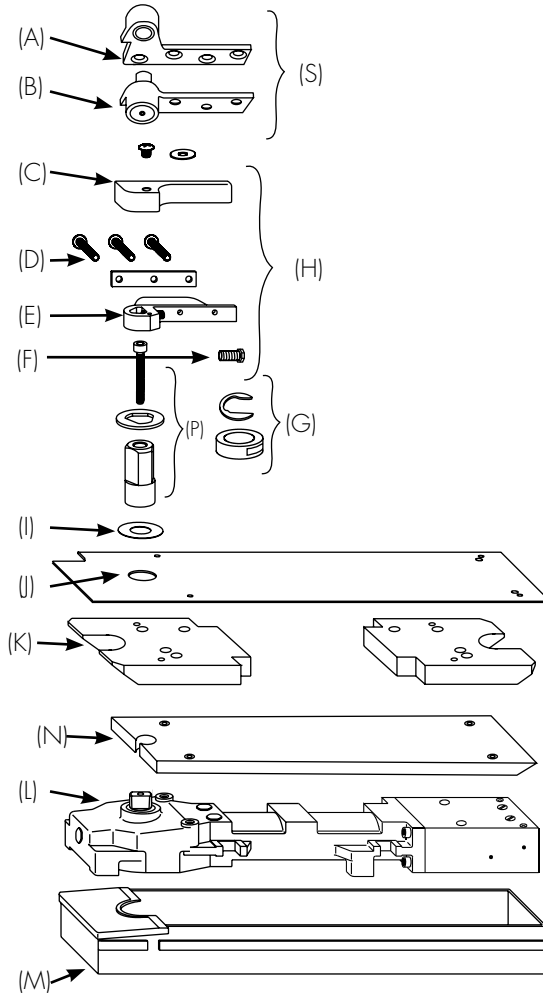
Spindle Adapter Package includes socket screw	
Extended Spindle Adapters	
4009-*XXC	1/2" extended
4009-*XXE	1" extended
4009-*XXG	1-1/2" extended
4009-*XXI	2" extended

\*specify finish

MODEL Q51/QT51

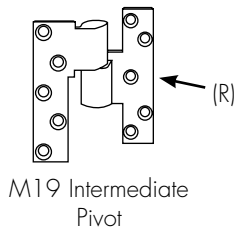
Right Hand Shown  
3/4" Offset

(A) Pivot Stud 181770-ASY
(B) Hex Cap 181778-*
(C) Arm Cap & Screw 73035R*AS (RH, BRS) 73035L*AS (LH, BRS)
(D) Q/QT51 Arm Mounting Screws & Plate 73014-*
(E) Removable Arm 73001R-ASY (RH) 73001L-ASY (LH)
(F) Arm Locking Screw Only 88905-PKG (5)
(G) Arm Washer & Shim Package 275179 includes shim 275065 & 275178 torque washers
(I) Spindle Washer 519000-*



(S) 3/4" Offset Top Pivot <b>180</b> <b>FL180</b> Fire Rated <b>180 - 20</b> 20 Minute
(H) Bottom Arm Package 222050R* (RH) 222050L* (LH) (Includes C, D, E, F)

(P) Spindle Adapter Package 4007-XXC (Includes shims, socket screw & washer)	
<b>Extended Spindles</b> Spindle Adapters:	
4007-XXE	1/2" extended
4007-XXG	1" extended



(R) 3/4" Offset Intermediate Pivot (1) <b>M19</b> <b>FM19</b> Fire Rated <b>M19-20</b> 20 Minute
--

Screw Kits
180 Screw Kit 107014 Machine (2) Req 107114 Wood (2) Req
Q Floor Plate Screw Kit 107010-*
Cement Case Screw Kit 107075
M19 Intermediate Pivot Screw Kit 107015 Machine (2) Req 107115 Wood (2) Req

(J) Floor Plate w/Screws 4000501R* XXE (RH) 4000501L* XXE (LH), "BC")
(K) Q51 Styrofoam Filler 4000023
(N) QT51 Styrofoam Filler 4000019
(L) Closer Body (Specify complete model no. x LAP)
(M) Cement Case w/ Screws 4000301

\*specify finish

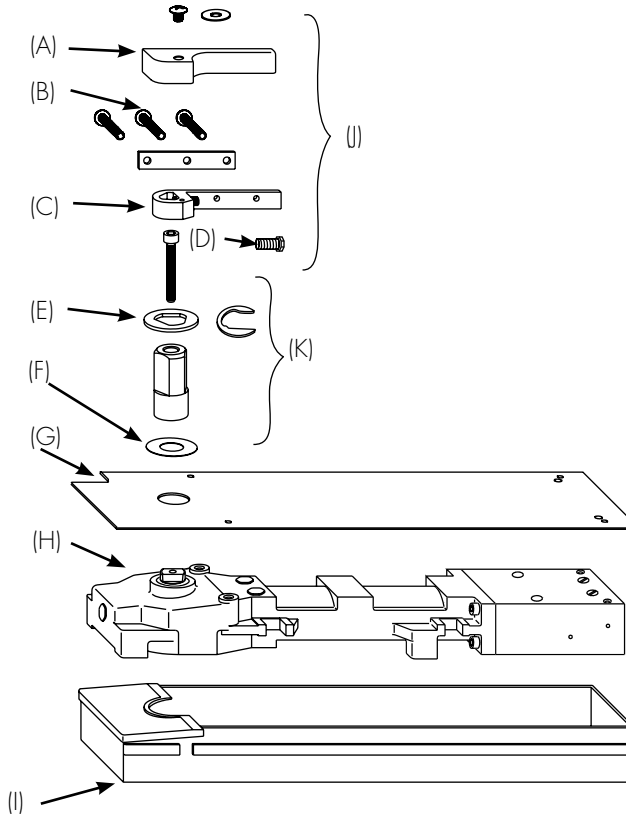
# SHALLOW DEPTH FLOOR CLOSERS

## PARTS DRAWINGS

### MODEL HM51

Right Hand Shown  
3/4" Offset Only

(A) Arm Cap & Screw 73025R*AS (RH) 73025L*AS (LH)
(B) HM51 Arm Mounting Screws & Plate 73014*
(C) Arm & Screw 73041R*AS (RH) 73041L*AS (LH)
(D) Arm Locking Screw Only 88905 - (5)
(E) Arm Bearing Washer 275062-PKG (5)
(F) Spindle Washer 519000*



(L) Special Offset Hinges (3) 254545R*PK 254545L*PK
---

(J) Bottom Arm Package 222050R*HM (RH) 222050L*HM (LH) (Includes A, B, C)	
(K) Spindle Adapter Package 4007-XXA	
<b>Extended Spindles</b> Spindle Adapters: (Includes shims, arm washer & socket screw)	
4007-XXC	1/2" extended
4007-XXE	1" extended
4007-XXG	1-1/2" extended
4007-XXI	2" extended

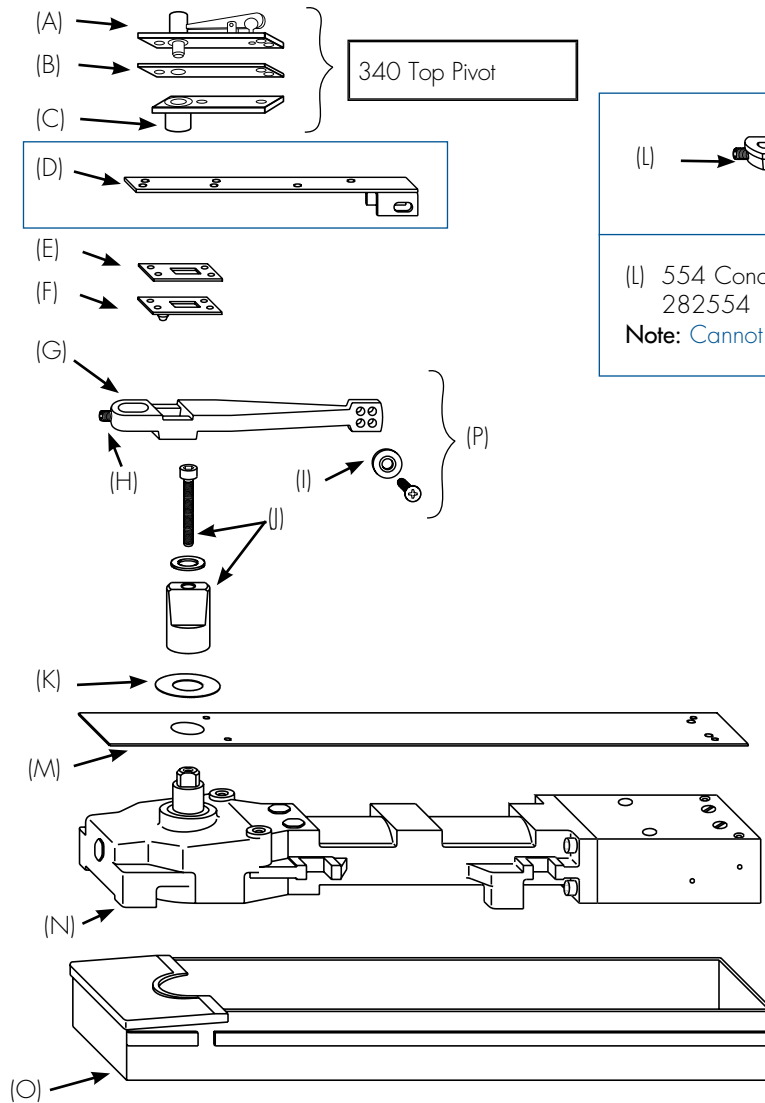
(G) Floor Plate w/Screws 4000501R* XXE (RH, "BC") 4000501L* XXE (LH, "BC")
(H) Closer Body (Specify complete model no. x LAP)
(I) Cement Case with Screws 4000301

Screw Kits	
Floor Plate Screw Kit 107004*	
Cement Case Screw Kit 107075	
Hinge screw kit 107519*	

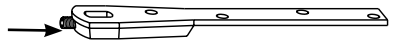
\*specify finish

MODEL 50 AND 5020

(A) Jamb Portion 3065
(B) Finish Plate 012202-*PK(BRS) 012204-*PK(SS)
(C) Door Portion 30243
(D) W28 Wood Door Plate/Shim Pkg 107066 (Includes E and F)
Wood door arm pkg. 282126 (Includes D and G)
(E) Arm Plate Shims (.062) 46045-PKG (5)
Arm Plate Shims (.187) 46145-PKG (5)
(F) Arm Plate & Stud Assy 46445
(G) Arm & Arm Set Screw 282026
(H) Arm Set Screw Only 26087-PKG (5)
(I) Arm Alignment Screw & Washer 107032-*
(K) Spindle Washer 519000-*



340 Top Pivot

(L)   
(L) 554 Concealed Arm Package  
282554  
**Note:** Cannot be used on model 5020

(M) Floor Plate with Screws 4000600-*XXE 4000600-*XXE BC") 4000600-*XXI("DA")
(N) Closer Body (Specify Complete Model No. x LAP)
(O) Cement Case with Screws 4000301
(P) Bottom Arm Package 282026- (Includes H, G and I)

(J) Spindle Adapter Package 4010-XXA (Includes socket screw & shim)	
<b>Extended Spindles</b> Spindle Adapters	
4010-XXC	1/2" extended
4010-XXE	1" extended
4010-XXG	1-1/2" extended
4010-XXI	2" extended

Screw Kits	
554 Arm Screw Kit	107064
Floor Plate Screw Kit	107004-*
Cement Case Screw Kit	107075
340 Screw Kit	107329 Machine & Wood
Arm Screw Kit	107048 Machine 107144 Wood

\*specify finish

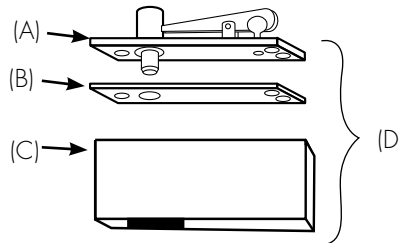
# SHALLOW DEPTH FLOOR CLOSERS

## PARTS DRAWINGS

### MODEL 5040

Right Hand Shown  
3/4" Offset

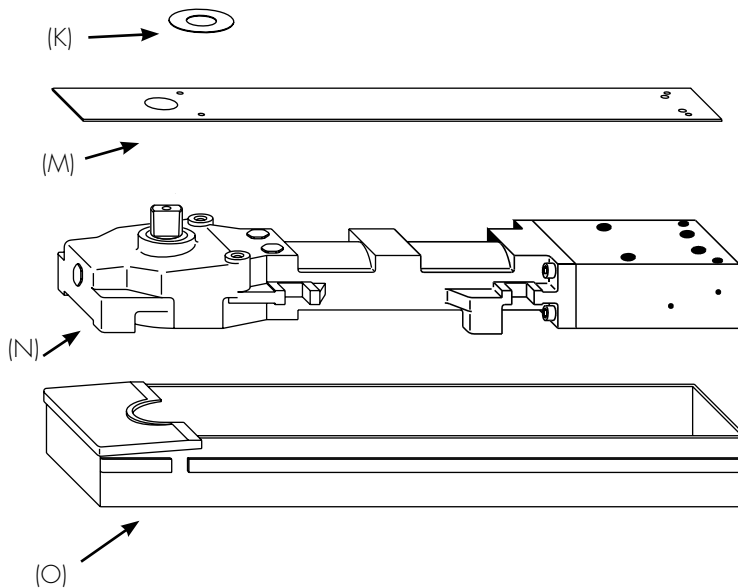
(A) Jamb Portion 42801
(B) Finish Plate 012202-*PK (BRS) 012204-*PK (SS)
(C) Patch Filling 7495-*
(J) Bottom Pivot Insert 74101
(L) Top Pivot Insert 74102



(D) Top Patch 7494* PK (Includes C and L)
(M) Floor Plate with Screws 4000600-*XXE BC")
(N) Closer Body (Specify Complete Model No. x LAP)
(O) Cement Case with Screws 4000301
(E) Bottom Patch 7495*PK (Includes C and J)



(K) Spindle Washer 519000-*
--------------------------------



Screw Kits
Floor Plate Screw Kit 107004-*
Cement Case Screw Kit 107075
340 Screw Kit Machine & Wood 107329

\*specify finish

CONTACT US AT:

Rixson®  
3000 Highway 74 East  
Monroe, NC 28112  
Tel: 800-457-5670  
Fax: 800-338-0965

ASSA ABLOY Door Security Solutions Canada  
160 Four Valley Drive  
Vaughan, Ontario, L4K 4T9 Canada  
Tel: 800-461-3007  
Fax: 800-221-0489

For a complete listing of products and  
applications please visit our web site.  
[www.rixson.com](http://www.rixson.com)  
[www.assaabloy.ca](http://www.assaabloy.ca)

Rixson®, Rixson and Design® are registered trademarks of Yale Security Inc., an ASSA ABLOY Group company. Other products' brand names may be trademarks or registered trademarks of their respective owners and are mentioned for reference purposes only. These materials are protected under U.S. copyright laws. All contents current at time of publication. Copyright © 2001, 2013, Yale Security Inc., an ASSA ABLOY Group company. All rights reserved. Reproduction in whole or in part without the express written permission of Yale Security Inc. is prohibited.