

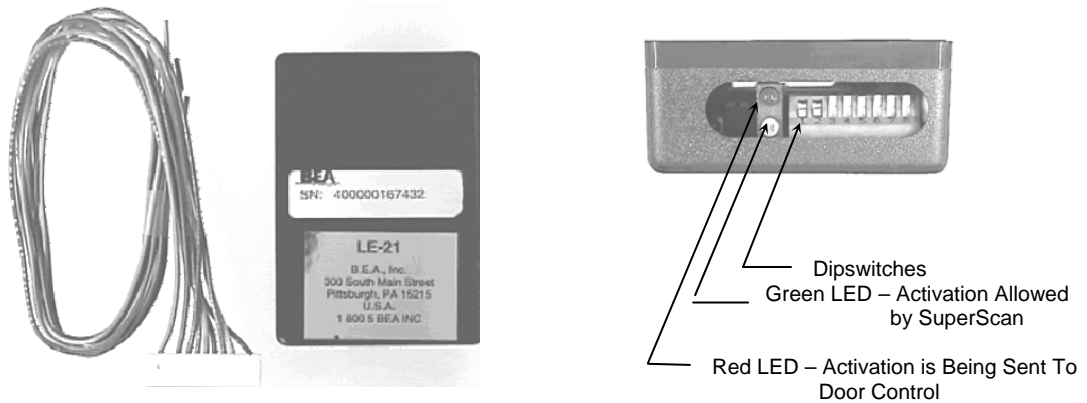
**PRODUCT DESCRIPTION**

The LE-21 (PN: 10LE21) is a lock out module that has been designed to inhibit the Approach SuperScan on an automatic door when the door is used manually. For instance, when the SuperScan is installed on a low energy operator that is to be used manually as well as automatically, the LE-21 will allow the SuperScan to be active only when the door is triggered by activating a push plate, such as on "knowing act" doors. The SuperScan will remain in the activation circuit until the door fully closes following the automatic operation of the door. A door position switch must be used to indicate to the LE-21 that the door has reached its fully closed position and to ignore the input of the SuperScan until the push plate activates the door again. If the door is opened manually, the LE-21 will prohibit the input from the SuperScan from reaching the door control. The LE-21 provides the hold open time delay; therefore, the door control's time delay should be set to minimum.

**TECHNICAL SPECIFICATIONS**

TECHNICAL SPECIFICATIONS	
Power Supply	12-24 Volts AC / 15-24 Volts DC
Operating Frequency	4 MHz (Microprocessor)
Power Consumption	10 mA at rest, 50 mA Max.
Output	2 X SPST Relays
Max. Voltage - Relay Contact	60V DC, 120V AC
Max. Current - Relay Contacts	2A DC, 0.5A AC

**COMPONENT ID**

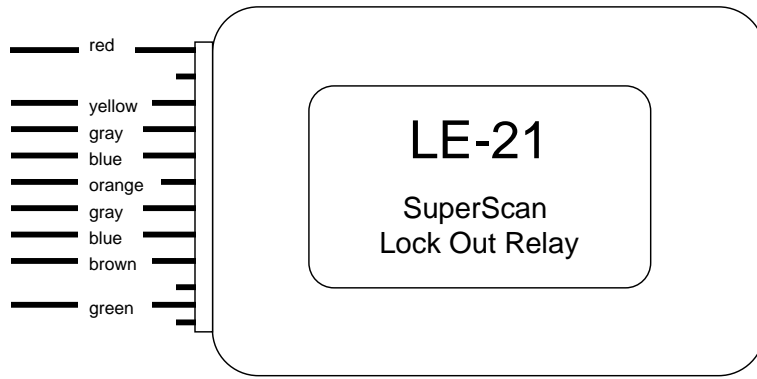


**SAFETY PRECAUTIONS**



- Shut off all power going to the header before attempting any wiring procedures.
- Maintain a clean & safe environment when working in public areas.
- Constantly be aware of pedestrian traffic around the door area.
- Always stop pedestrian traffic through the doorway when performing tests that may result in unexpected reactions by the door.
- Always check placement of all wiring before powering up to insure that moving door parts will not catch any wires and cause damage to equipment.
- Ensure compliance with all applicable safety standards (i.e. ANSI A156.10 or A156.19) upon completion of installation.

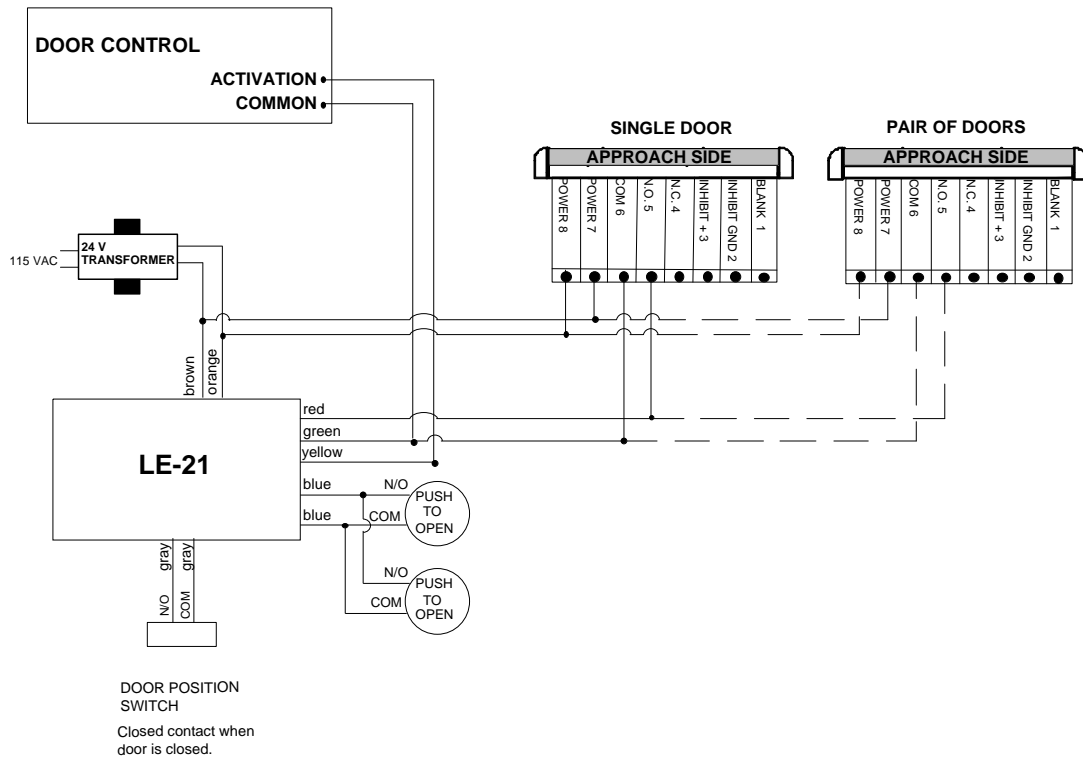
**ELECTRICAL  
INSTALLATION**



WIRE CONNECTIONS	
Orange	Power input / 12-24 VAC or 15-24 VDC (-)
Brown	Power input / 12-24 VAC or 15-24 VDC (+)
Yellow	Control Box Active N.O.
Green	Control Box & SuperScan COM
Red	SuperScan N.O.
Gray	Door Position Switch N.O.
Gray	Door Position Switch COM
Blue	Push Plate N.O.
Blue	Push Plate COM

**IMPORTANT NOTE:**

The Door Position Switch must be used for all applications, and the switch must be a normally closed circuit. That is, the switch must provide a closed contact when the door is fully closed.



**SET-UP  
INSTRUCTIONS**

Once all components are properly wired together, power can be applied and the set-up can begin. Only one adjustment is necessary on the LE-21 and that is the hold open time delay for the door when the door is operated automatically. This adjustment is in the form of five dip switches located on the right side of the unit, which can be set to achieve a 0 to 31 second hold open time delay. The hold open time delay should be set for the length of time the door should remain open once the push plate has been released. Since the LE-21 provides the hold open time delay, the time delay on the operator must be set to minimum.

The LED's on the LE-21 let the installer know that the LE-21 is in operation. The RED LED signifies that the push plate has been activated and the LE-21 is activating and holding the door open. The RED LED will light as soon as the push plate is activated and remain lit for the hold time preset by the installer (once the push button is released). The GREEN LED signifies that the SuperScan's input to the door control will be accepted. When the GREEN LED is on, the SuperScan is capable of reactivating the door if something is in the swing path of the door. The GREEN LED will shut off as soon as the door position switch sends a closed signal to the LE-21 to tell the LE-21 that the door is closed. Once the door is closed and the GREEN LED is off the LE-21 will ignore the input of the SuperScan until the push plate activates the door again.

**DIP SWITCH  
SETTINGS**

1. Use the chart provided below to configure the time delay for the LE-21. By default, the unit is set to 7 seconds. Only dipswitches 1 through 5 are used for this function.



Set the dip switches according to the chart below to achieve the desired hold open time delay. The dip switches are configured to send a binary coded input to the microprocessor to establish the correct time delay.

- Dip Switch 1 = 1 second
- Dip Switch 2 = 2 seconds
- Dip Switch 3 = 4 seconds
- Dip Switch 4 = 8 seconds
- Dip Switch 5 = 16 seconds
- Dip Switch 6 = not used
- Dip Switch 7 = not used
- Dip Switch 8 = not used

time delay (sec)	dip 1 1 sec	dip 2 2 sec	dip 3 4 sec	dip 4 8 sec	dip 5 16 sec	time delay (sec)	dip 1 1 sec	dip 2 2 sec	dip 3 4 sec	dip 4 8 sec	dip 5 16 sec
1	on	off	off	off	off	17	on	off	off	off	on
2	off	on	off	off	off	18	off	on	off	off	on
3	on	on	off	off	off	19	on	on	off	off	on
4	off	off	on	off	off	20	off	off	on	off	on
5	on	off	on	off	off	21	on	off	on	off	on
6	off	on	on	off	off	22	off	on	on	off	on
7	on	on	on	off	off	23	on	on	on	off	on
8	off	off	off	on	off	24	off	off	off	on	on
9	on	off	off	on	off	25	on	off	off	on	on
10	off	on	off	on	off	26	off	on	off	on	on
11	on	on	off	on	off	27	on	on	off	on	on
12	off	off	on	on	off	28	off	off	on	on	on
13	on	off	on	on	off	29	on	off	on	on	on
14	off	on	on	on	off	30	off	on	on	on	on
15	on	on	on	on	off	31	on	on	on	on	on
16	off	off	off	off	on						

**COMPANY  
CONTACT**

If after troubleshooting a problem, a satisfactory solution cannot be achieved, please call B.E.A., Inc. for further assistance during **Eastern Standard Time at 1-800-523-2462 from 8am - 5pm.** For after-hours, call East Coast: 1-866-836-1863 or 1-800-407-4545 / Mid-West: 1-888-308-8843 / West Coast: 1-888-419-2564. **DO NOT leave any problem unresolved.** If you must wait for the following workday to call B.E.A., leave the door inoperable until satisfactory repairs can be made. **NEVER sacrifice the safe operation of the automatic door or gate for an incomplete solution.**  
**Web: [www.beasensors.com](http://www.beasensors.com)**