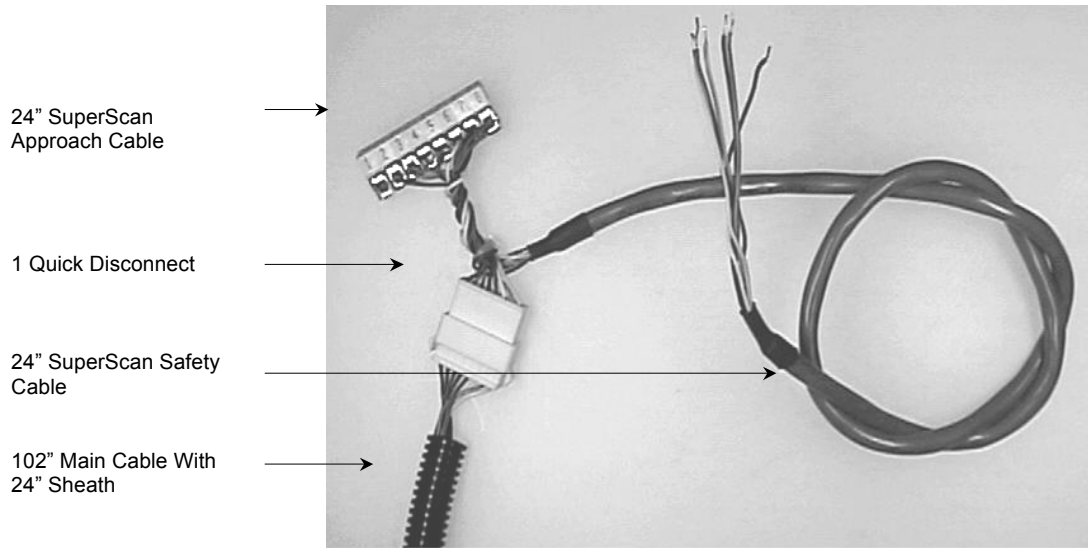


SUPERSCAN QUICK-DISCONNECT CABLE USERS GUIDE

DESCRIPTION

The SuperScan quick-disconnect (QD) cable is routed between the header and the door and is designed to:

- Provide a one-Point disconnect for approach-side and safety-side SuperScan sensors
- Facilitate easy door removal when required
- Provide single cable source from the header to the door when using SuperScans on both sides of the door
- Provide easy replacement to the standard cable that has no quick disconnect



INSTALLATION AND WIRING

1. Perform a SuperScan installation as you normally would. When performing the cabling installation, follow the same routing guidelines that are provided in the manual, but using the SuperScan QD Cable in lieu of the standard cable.
 - Refer to the SuperScan User's Guide, PN 75.0084, for installation of the SuperScan sensor system.
2. After routing the QD cable, attach the approach cable to approach side SuperScan and safety cable to safety side SuperScan.
3. Attach the wires to the terminal as follows:

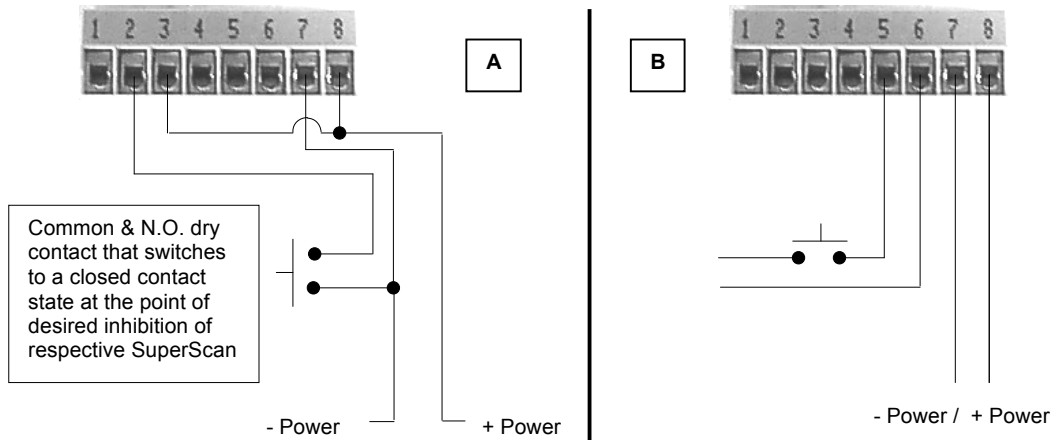
SuperScan Function	SuperScan Terminal #	Safety Color Wire	Approach Color Wire
Test	1	Not Used	Not Used
GND	2	Yellow	Not Used
INH	3	Orange	Not Used
NO (relay)/NPN	4	Not Used	Not Used
NC (relay)/PNP	5	Blue	Green
COM (relay)	6	Brown	White
POWER -	7	Black	Black
POWER +	8	Red	Red

NOTE: The status of the NO and NC contacts on the SuperScan will be dependent upon the position of jumper J2 on the master module. Be sure to reference the SuperScan User's Guide, PN 75.0084 for further instruction.

4. The wiring that is required at the opposite end of the QD cable inside the door header is shown below:

Wire Color	Control Connection or Other Function
Red	Power (+) : 12 to 24 VAC ± 10% / 12 to 24 VDC + 10%
Black	Power (-) : 12 to 24 VAC ± 10% / 12 to 24 VDC + 10%
White	Common input at the door control (for activation)
Green	Activation input at the door control
Brown	Common input at the door control (for safety)
Blue	Safety input at the door control
Orange	Inhibit +
Yellow	Inhibit Ground

1. To inhibit a SuperScan, an external dry contact switching device is required, that changes state at the point of desired inhibition on the respective SuperScan. Each SuperScan may be independently inhibited, however a switching device will be required for each (for example an auxiliary micro-switch on the operator). To enable the inhibiting circuit, perform the following:
- Connect the orange wire (terminal 3) to the red wire (terminal 8). Connect the yellow wire (terminal 2) through the microswitch common and connect the black wire (terminal 7) to the microswitch NO. (Fig. A).
 - Alternate method of inhibiting: Break one leg of the output relay circuit as shown in Fig. B.



If after troubleshooting a problem, a satisfactory solution cannot be achieved, please call B.E.A., Inc. for further assistance during Eastern Standard Time at **1-800-523-2462 from 7am - 5pm.**
For after-hours, call East Coast: 1-866-836-1683 or 1-800-407-4545 / Mid-West: 1-888-308-8843 / West Coast: 1-909-596-3011. DO NOT leave any problem unresolved. If you must wait for the following workday to call B.E.A., leave the door inoperable until satisfactory repairs can be made.
NEVER sacrifice the safe operation of the automatic door or gate for an incomplete solution.