

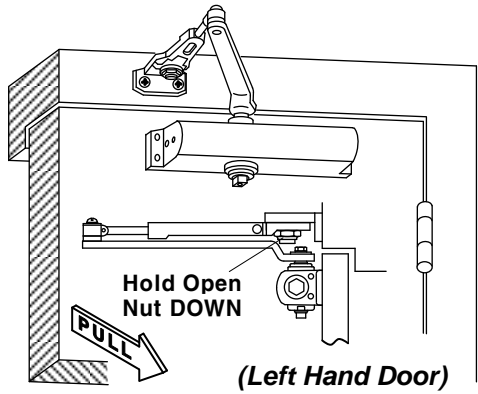
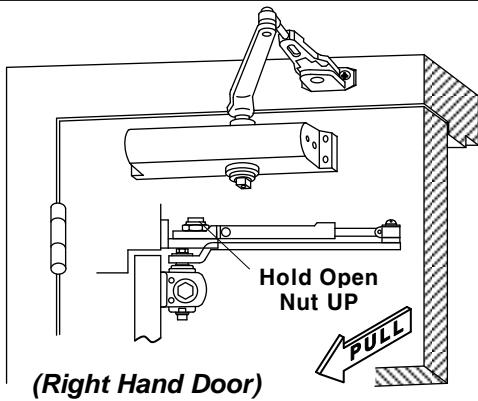
INSTALLATION INSTRUCTIONS

HOLD-OPEN ARM

! Incorrect installation or adjustment could cause damage or injury. Read and follow instructions carefully.

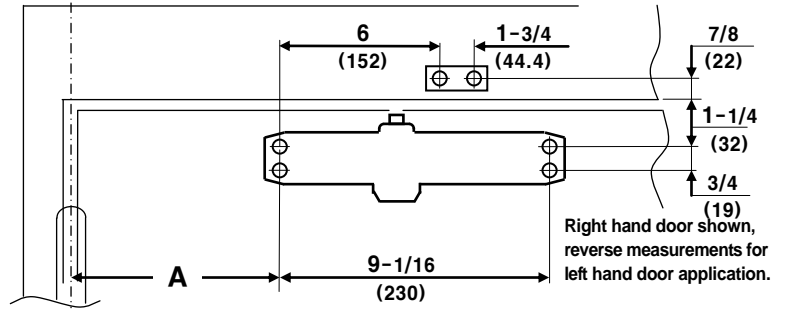
Power size 1 thru 4

Option A – Regular Arm Installation



Hinge or Pivot

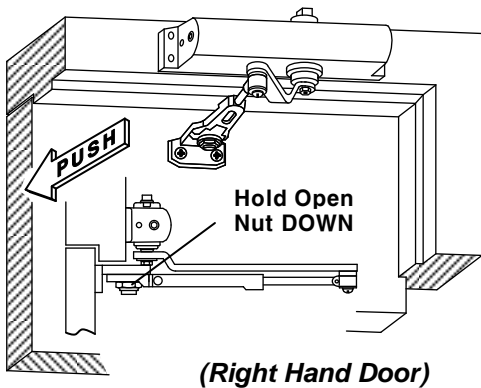
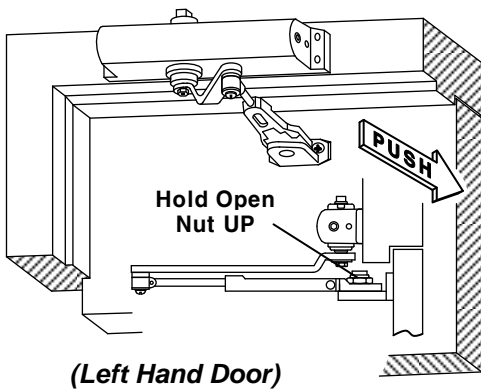
Inches (mm)		
Door Opening	Dim. A	Hold Degrees
to 100°	7 (178)	85°~100°
100° to 120°	6 (152)	90°~130°
Over 120°	3-1/2 (89)	90°~180°



Option A instructions:

1. Select degree of opening from table and use template dimensions as shown. Mark four (4) holes on door for closer and two (2) holes on frame for arm shoe.
2. Drill pilot holes in door and frame for #14 all-purpose screws or drill and tap for 1/4-20 machine screws.
3. Install adjustable forearm/arm shoe assembly to frame using screws (a) or (b) Reference page 2.
4. Install main Arm to top pinion shaft using screw (e).
5. Mount closer on door using screws (c) or (d). **SPRING POWER ADJUSTING NUT MUST BE POSITIONED AWAY FROM HINGE EDGE.**
6. Adjust forearm so that it is perpendicular to frame when assembled to preloaded main arm. Secure forearm to main arm with screw provided.
7. Adjust closing speed, backcheck control and spring power of door, following instructions as shown page 2.

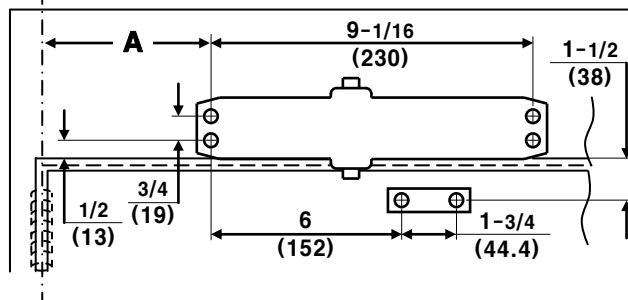
Option B – Top Jamb Installation



Hinge or Pivot

Left hand door shown, reverse measurements for right hand door application.

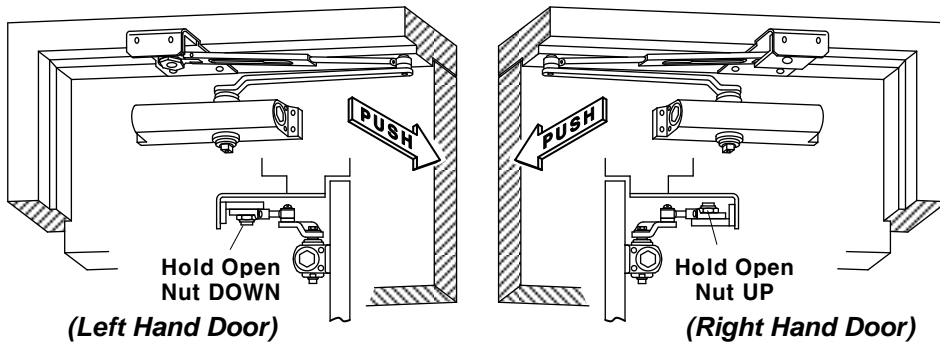
Inches (mm)		
Door Opening	Dim. A	Hold Degrees
To 100°	7-1/2 (191)	85°~100°
100° to 120°	6 (152)	90°~130°
Over 120°	3-1/2 (89)	90°~180°



Option B instructions:

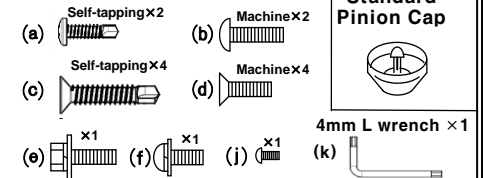
1. Select degree of opening from table and use template dimensions as shown. Mark four (4) holes on frame for closer and two (2) holes on frame for arm shoe.
2. Drill pilot holes in door and frame for #14 all-purpose screws or drill and tap for 1/4-20 machine screws.
3. Install adjustable forearm/arm shoe assembly to door using screws (a) or (b) Reference page 2.
4. Mount closer body on frame using screws (c) or (d).
5. Install main arm to bottom pinion shaft, perpendicular to door. Secure tightly with arm screw/washer (e). **SPEED ADJUSTING VALVE MUST BE POSITIONED TOWARD HINGE SIDE.**
6. Adjust length of forearm so it is perpendicular to frame when assembled to preloaded main arm. Secure forearm to main arm with screw.
7. Adjust door's closing speed and power, see page 2 for reference.

Option C – Parallel Arm Installation

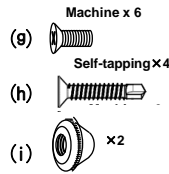


Components

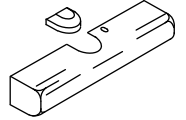
Screw Pack No. 1



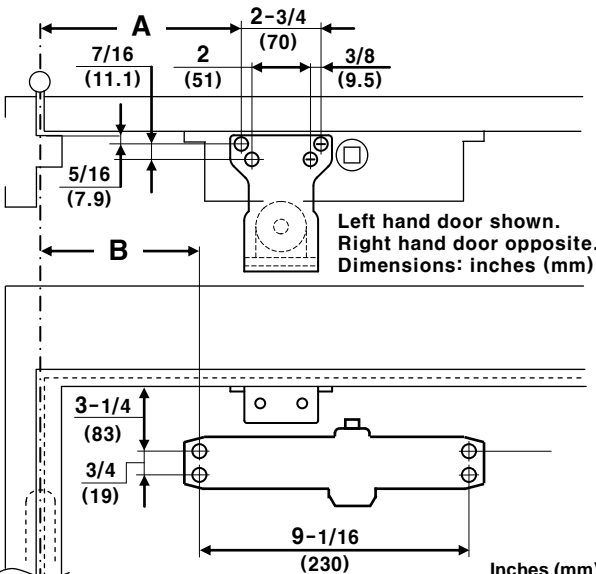
Screw Pack No. 2



Cover (Optional)



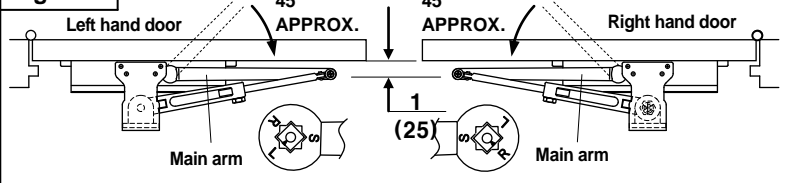
- Using the measurements shown, mark screw hole center locations. Mark four (4) holes on door to mount door closer and four (4) holes on frame to mount parallel bracket.
- Drill pilot holes in door and frame, drill 7/32" (5.5mm) diameter holes for self-tapping screws or drill and tap #7(.201" diameter) for 1/4-20 machine screws.
- Install Parallel bracket to frame using screws (g) or (h).
- Mount closer on door using screws (c) or (d).
- SPEED ADJUSTING VALVES MUST BE POSITIONED AWAY FROM HINGE SIDE.** Place main arm on closer pinion shaft, indexing main arm mark "L" or "R" with pinion flat as shown in Figure 1. Secure tightly with screw/washer (e).
- Remove arm shoe from forearm, install rod and forearm to bracket using the screw (g), (i).
- With door closed, adjust length of forearm so that the tip of the main arm is approximately 1" (25mm) away from being parallel with door, when connected to the forearm. Secure with screw/washer (f).
- Adjust door's closing speed and power, see below.



Left hand door shown.
Right hand door opposite.
Dimensions: inches (mm)

Door Opening	Dim. A	Dim. B	Hold Degrees
To 100°	9-1/4 (235)	7-5/8 (194)	80°~100°
100° to 130°	7-3/4 (197)	6-1/8 (156)	80°~130°
Over 130°	5-3/4 (146)	4-1/8 (105)	80°~180°

Figure 1



DOOR CLOSER ADJUSTMENT

CAUTION!! Do not turn speed adjusting valve more than two(2) full turns counter-clockwise. Do not back the valves out of closer or a leak will result.

CLOCKWISE FOR POSITIVE NUMBERS (+)



COUNTER-CLOCKWISE FOR NEGATIVE NUMBERS (-)

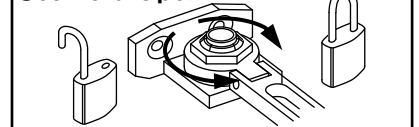
Use 4mm Hex wrench
For this Adjustment

Power
Adjusting
Screw

4mm
Wrench

INCREASE
DECREASE

Set Hold Open

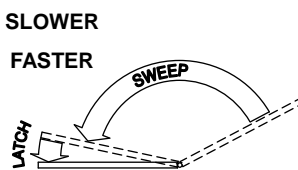


POWER ADJUSTMENT CHART

DOOR CLOSER SIZE	FULL TURNS OF POWER ADJUSTING SCREW	DOOR LEAF WIDTH		APPLICABLE DOOR WEIGHT
		INTERIOR	EXTERIOR	
BF	-	5 lb-f	-	-
1	- 14	32" (0.81m)	28" (0.71m)	33~66 LBS (15~30 Kg)
2	- 10	36" (0.91m)	32" (0.81m)	66~99 LBS (30~45 Kg)
3	0 (PRESET)	42" (1.07m)	36" (0.91m)	99~143 LBS (45~65 Kg)
4	+ 6	48" (1.22m)	42" (1.07m)	143~187 LBS (65~85 Kg)

BACKCHECK

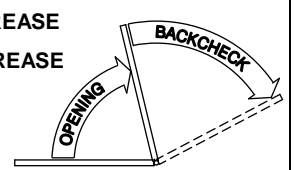
SLOWER
FASTER



CLOSING CYCLE

LATCH Adjusting Valve
SWEEP

INCREASE
DECREASE



OPENING CYCLE



The closing force is adjustable from a size 1 to size 4, as outlined in ANSI Standard A156.4. When these series of door closers are installed and adjusted to conform to ADA reduced opening force requirements (5 lbs max.) for interior doors, they may not have adequate closing force to reliably close and latch door. Power adjustments charted on this page are recommended where possible, to ensure proper door control.



By law the Americans with Disabilities Act (ADA) may require that door closer installation comply with accessibility guidelines.