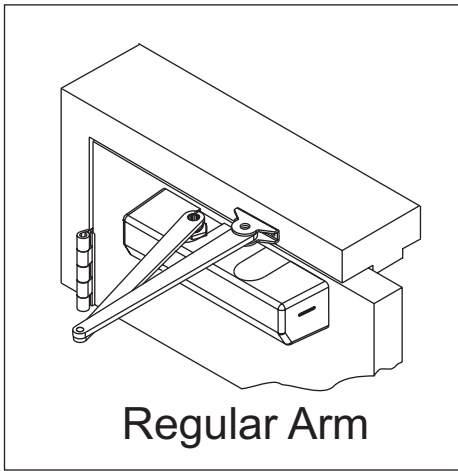


# Installation Instructions



## DC3200 Series Multi-Sized 1 thru 6

Universal Door Closers  
Non-Hold Open  
Regular Arm Application  
with A10 Heavy Duty Arm



### IMPORTANT:

- An improperly installed or incorrectly adjusted door closer may cause **property damage** or **personal injury**; and will void product warranty.
- To avoid personal injury, **DO NOT DISASSEMBLE THIS DOOR CLOSER BODY.**
- Door closers must be securely fastened to a properly reinforced door and frame with fasteners provided.

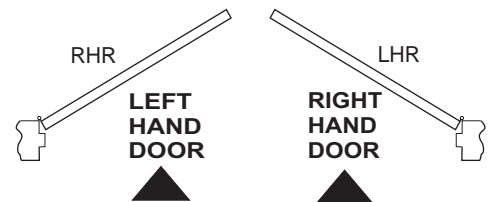
### BEFORE INSTALLING:



- The Americans with Disabilities Act (ADA) requires that doors having door closers have an opening force not to exceed 5 lbf. for interior doors, 8.5 lbf exterior doors.
- The door closer's power size adjustment feature may require adjustment to its lowest setting to comply with ADA opening force guidelines.
- ADA compliant closer: DC3200.

Size of Door & Door Closer				
Type of Installation	Interior	Exterior In-swinging	Recommended Closer Size	**Max. Opening Force lbs/f
Regular Arm	2'4"	—————	1	8
	3'0"	—————	2	14
	3'6"	2'6"	3	16
	4'0"	3'0"	4	22
	4'6"	3'6"	5	24
	5'0"	4'0"	6	26

### TO DETERMINE HAND OF YOUR DOOR:

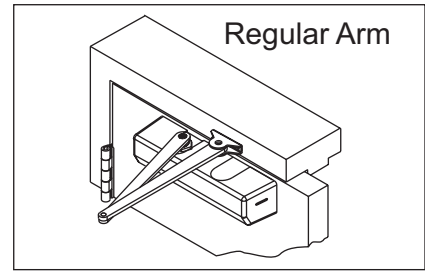


**\*\*NOTE:** These forces are for standard templating with bearing type hinges and do not account for pressure differentials and draft.

# Installation Instructions

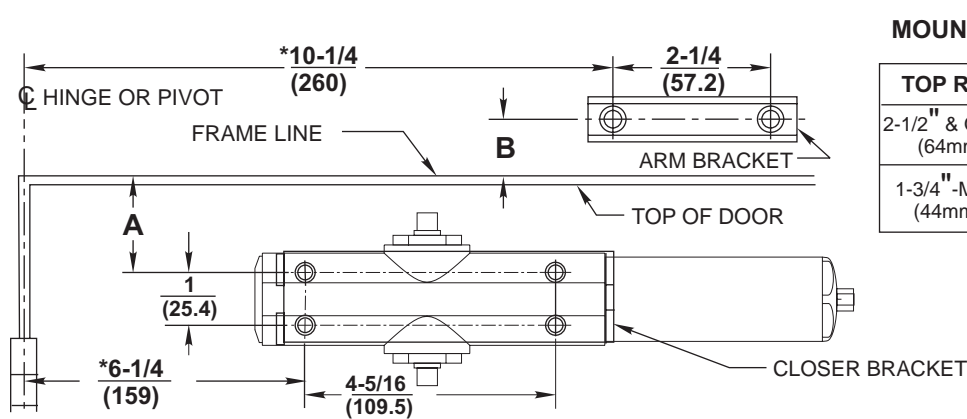
## Regular Arm Application

### DC3200 Series with A10 Heavy Duty Arm



## 1. Template

Mark and prepare Door and Jamb (for closer bracket and arm bracket)  
For Vertical Dimensions use "Mounting Dimensions Chart"



### MOUNTING DIMENSIONS

TOP RAIL	A	B	MINIMUM CLEARANCE REQUIRED OVER DOOR
2-1/2" & OVER (64mm)	1" (25.4mm)	3/4" (19mm)	1-11/16" (43mm)
1-3/4" -MIN. (44mm)	5/8" (16mm)	1-1/8" (29mm)	2-1/16" (53mm)

\* To obtain extra closing force add 3" (77mm) to dimensions marked.  
This will limit degree of door opening to 110° and void compliance with ADA opening force guidelines.

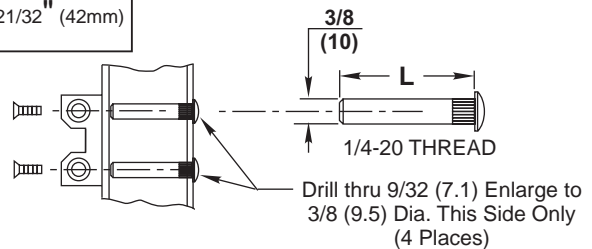
DOOR THICKNESS	SEX NUT LENGTH "L"
1-3/8" (35mm)	1-9/32" (33mm)
1-3/4" (44mm) & OVER	1-21/32" (42mm)

### MOUNTING SCREW SPECIFICATIONS

#### ARM AND CLOSER BRACKET

1/4-20 oval head machine screw or 1/4-14 self-drilling screw Type BSD. 3/16 (4.8) diameter pilot hole required for Wood Applications.

or Sex nuts, Option M54, furnished when ordered

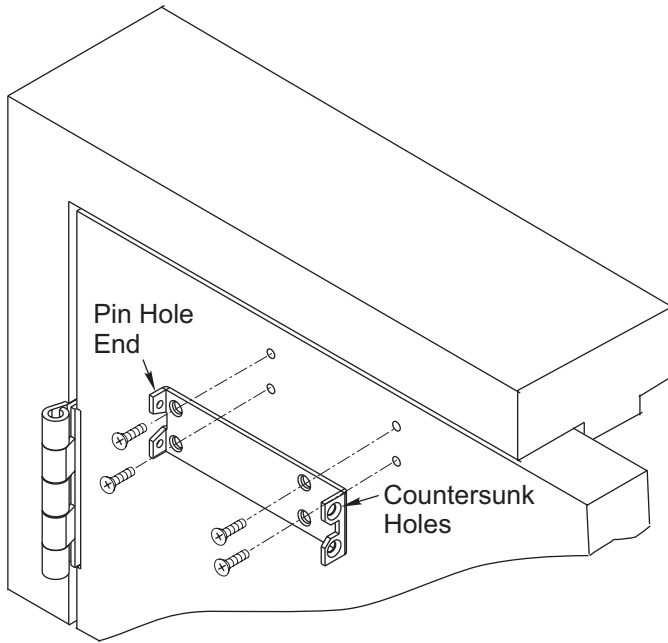


### NOTES:

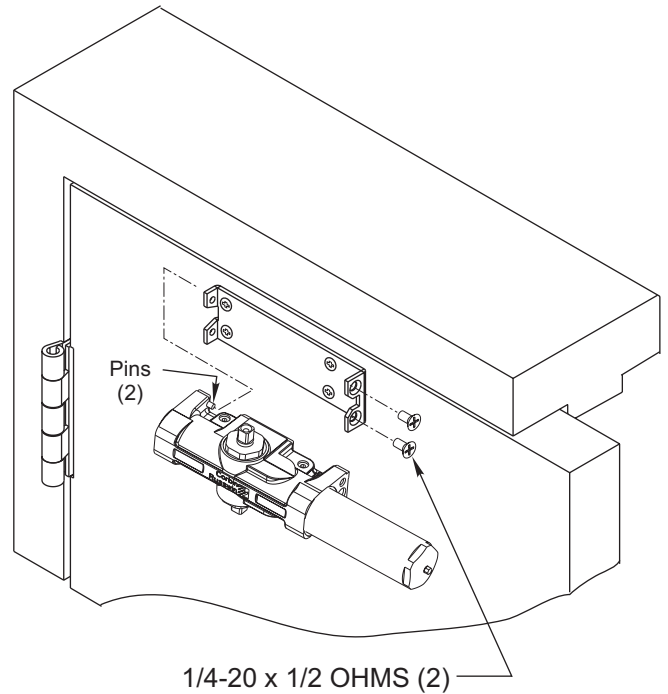
- Check hand of door, see page 1.
- Right Hand Application Shown. Left Hand Opposite
- Dimensions given in inches (mm). Do Not Scale Drawing.
- Closer must be installed in a true horizontal plane to ensure proper closer performance.
- Door opening (up to 180°) is dependent upon door, frame, wall and hinge/pivot conditions permitting.
- Maximum Hinge Side Reveal 1/8" (3mm).

# A10 Heavy Duty Arm (Continued)

## 2. Install Closer Bracket

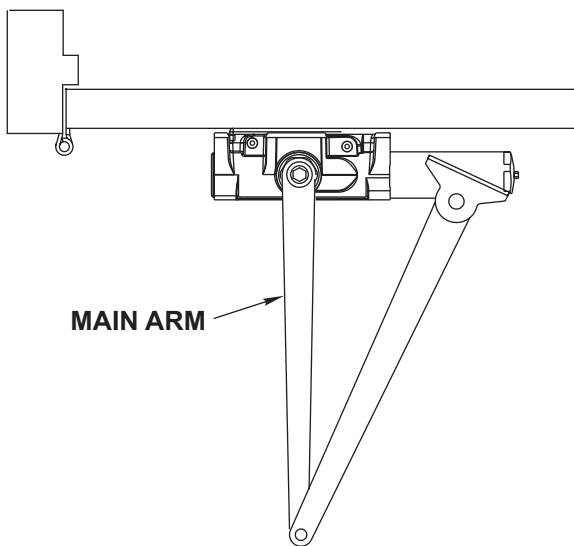


## 3. Mount Closer Body to Closer Bracket



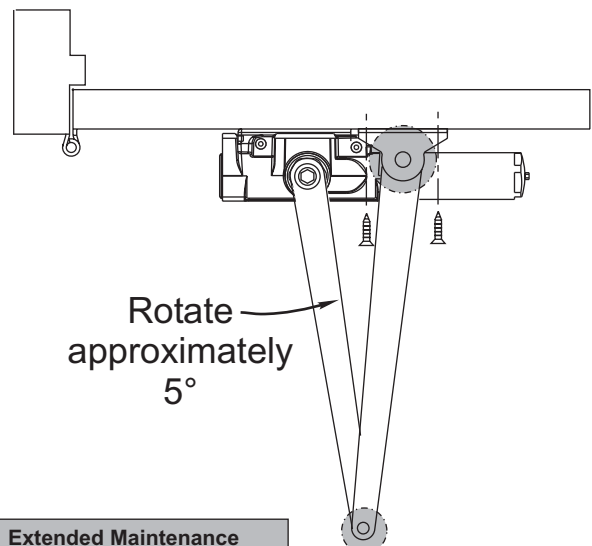
## 4. Position Arm on Closer

Main arm projects straight out at 90° angle to door.



## 5. Preload and Fasten Arm to Frame

Close door, swing arms to align holes in arm bracket with pre-drilled holes on frame and install attaching screw.



**Extended Maintenance**  
Lubricate Arm periodically at shaded points with a drop or two of appropriate lubricant.

NOTE ARMS WILL FORM A "V" POSITION

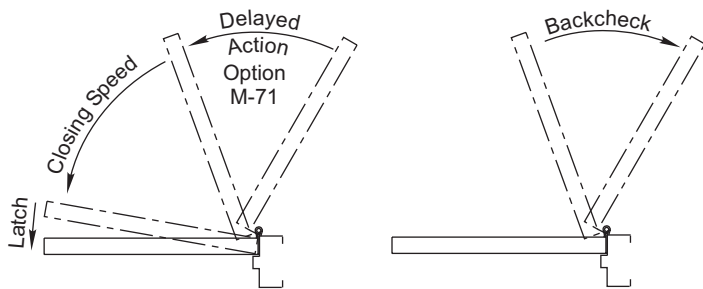
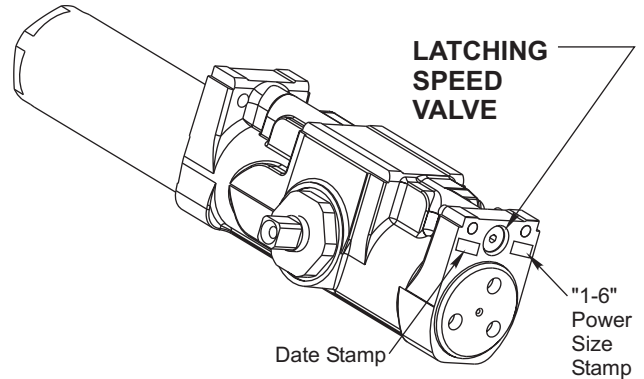
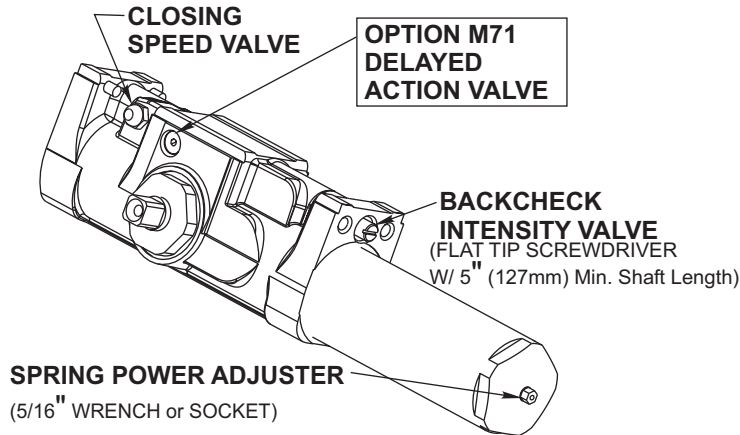
## Spring Power Adjustment

Locate spring power adjuster from Illustration below  
DC3200 Size 1 thru 6 Adjustment See Chart

Size of Door		No. of Full (360°) Turns Clockwise of Power Adjuster	Equivalent Closer Size (Approx.)
Interior	Exterior In Swing		
2' 4" (712)	2' 6" (764)	4	2
2' 6" (764)	3' 0" (915)	8	3
3' 0" (915)	3' 6" (1067)	12	4
3' 6" (1067)	4' 0" (1219)	16	5

### DC3200 SPRING POWER ADJUSTMENT CHART

- All DC3200 closers are factory set at an approximate **Size 3**.
- Adjust closer as necessary for door size using this chart.
- Readjustment may be required to suit prevailing conditions.



### Closing Speed Valve (3/32 Allen Wrench Provided)

To adjust speed of door closing from fully open to a position 2" to 5" from closed, turn Closing Speed Valve **CLOCKWISE** to SLOW closing, **COUNTER-CLOCKWISE** to SPEED closing.

### Latching Speed Valve (3/32 Allen Wrench Provided)

After closing speed has been obtained, turn latching speed valve **CLOCKWISE** to SLOW latching or **COUNTER-CLOCKWISE** to SPEED latching for last 2" to 5" of door travel.

**NOTE:** Set combination of CLOSING and LATCHING speeds to between 3 and 7 seconds. Use of door by handicapped, elderly or small children may require even greater closing time.

### Delayed Action Valve (3/32 Allen Wrench Provided)

Turn valve **CLOCKWISE** to SLOW closing, **COUNTER-CLOCKWISE** to SPEED closing. Delayed action may be adjusted from 20 seconds to 90 seconds, depending on degree of door swing. Delay occurs at the beginning of the door closing cycle from fully open down to 70°, where the closing speed valve then begins its control.

### Backcheck Intensity Valve

Turn valve **COUNTER-CLOCKWISE** to reduce backcheck or **CLOCKWISE** to increase backcheck. (Backcheck should be set to give a soft cushioning action. Not a sudden stop).

### Installing Cover



Full Cover (Standard)

Slip cover over closer. Hold tightly against closer mounting surface. Secure on each side with 6-32 x 1/4" PBHMS screws.



Slim Cover (Option M76)

Slim Cover Option M76 only  
Position spindle cap over unused spindle and secure with truss head screw.