

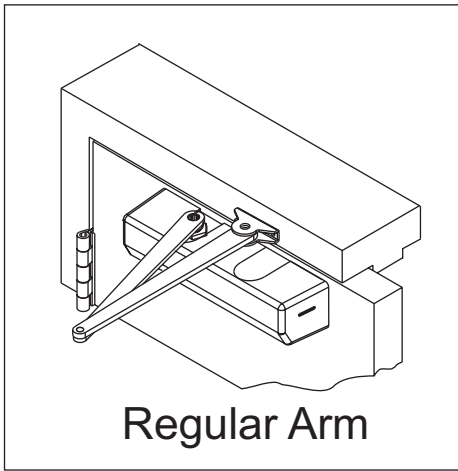
Installation Instructions



Universal Door Closers
Non-Hold Open
with A10 Heavy Duty Arm

DC6200 Series
Multi-Sized 1 thru 6

DC6400 Series
Half-Sized 1 thru 6



IMPORTANT:

- An improperly installed or incorrectly adjusted door closer may cause **property damage** or **personal injury**; and will void product warranty.
- To avoid personal injury, **DO NOT DISASSEMBLE THIS DOOR CLOSER BODY.**
- Door closers must be securely fastened to a properly reinforced door and frame with fasteners provided.

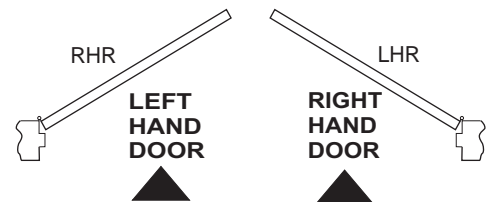
BEFORE INSTALLING:



- The Americans with Disabilities Act (ADA) requires that doors having door closers have an opening force not to exceed 5 lbf. Use standard templating for regular arm and parallel arm applications. Jamb mounted applications use the template for 140° door opening to achieve the required opening force.
- The door closer's power size adjustment feature may require adjustment to its lowest setting to comply with ADA opening force guidelines.
- ADA compliant closers are: DC6200 & DC6401.

Size of Door & Door Closer				
Type of Installation	Interior	Exterior In-swinging	Recommended Closer Size	**Max. Opening Force lbs/f
Regular Arm	2'4"	_____	1	8
	3'0"	_____	2	14
	3'6"	2'6"	3	16
	4'0"	3'0"	4	22
	4'6"	3'6"	5	24
	5'0"	*4'0"	6	26

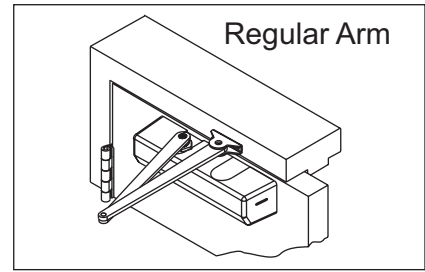
TO DETERMINE HAND OF YOUR DOOR:



*DC6400 Series Recommended

**NOTE: These forces are for standard templating with bearing type hinges and do not account for pressure differentials and draft. Half size closers DC6400 are capable of being adjusted to next higher setting.

Installation Instructions

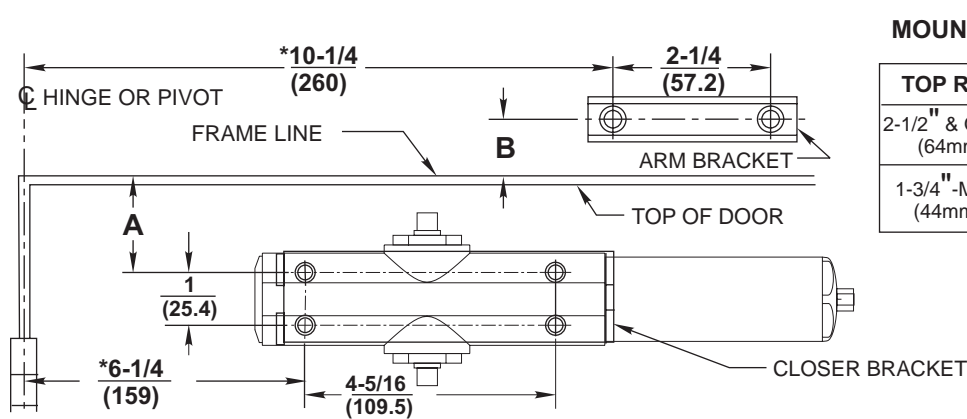


Regular Arm Application

DC6200 / DC6400 Series with A10 Heavy Duty Arm

1. Template

Mark Door and Jamb (for closer bracket and arm bracket)
For Vertical Dimensions use "Mounting Dimensions Chart"



MOUNTING DIMENSIONS

TOP RAIL	A	B	MINIMUM CLEARANCE REQUIRED OVER DOOR
2-1/2" & OVER (64mm)	1" (25.4mm)	3/4" (19mm)	1-11/16" (43mm)
1-3/4" -MIN. (44mm)	5/8" (16mm)	1-1/8" (29mm)	2-1/16" (53mm)

* To obtain extra closing force add 3" (77mm) to dimensions marked.
This will limit degree of door opening to 110°.

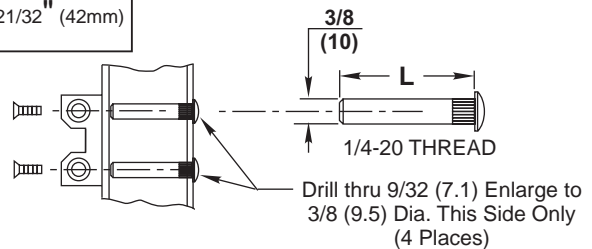
DOOR THICKNESS	SEX NUT LENGTH "L"
1-3/8" (35mm)	1-9/32" (33mm)
1-3/4" (44mm) & OVER	1-21/32" (42mm)

MOUNTING SCREW SPECIFICATIONS

ARM AND CLOSER BRACKET

1/4-20 oval head machine screw or 1/4-14 self-drilling screw. 3/16 (4.8) diameter pilot hole required for Wood Applications.

or Sex nuts, Option M54, furnished when ordered

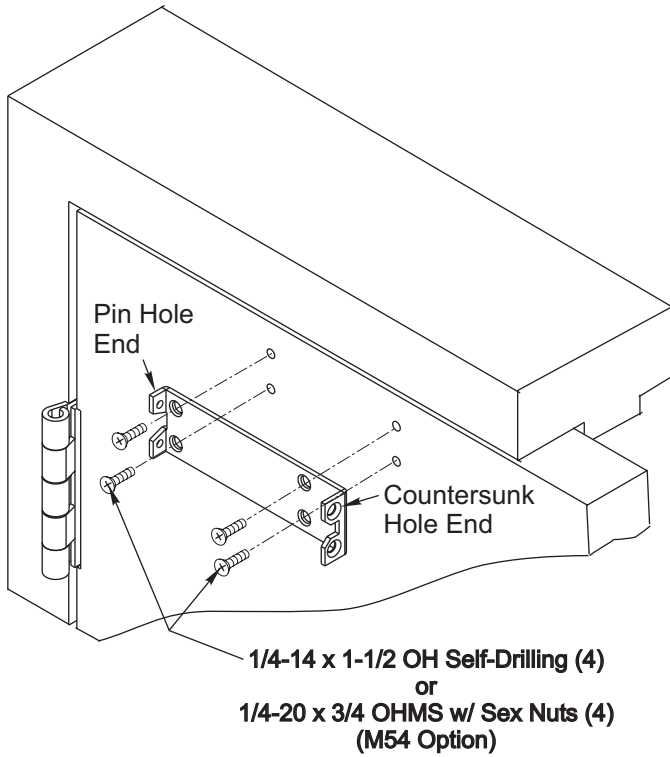


NOTES:

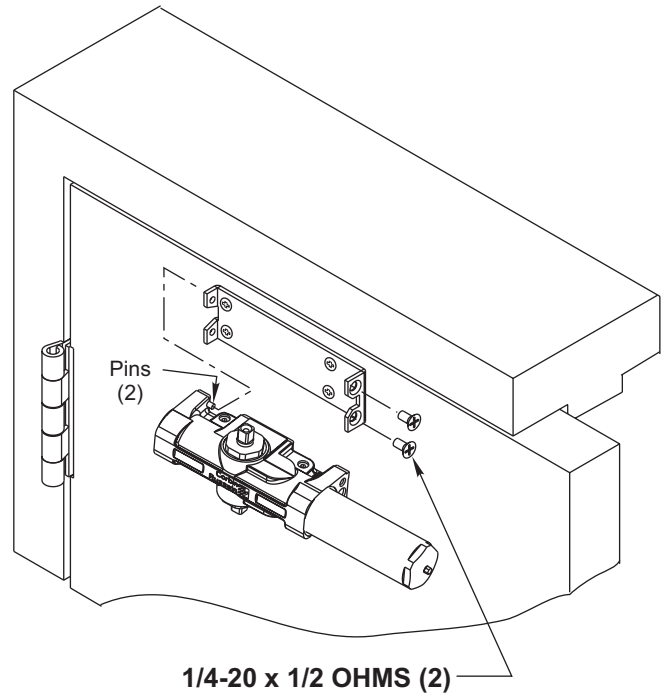
- Check hand of door, see page 1.
- Right Hand Application Shown. Left Hand Opposite
- Dimensions given in inches (mm). Do Not Scale Drawing.
- Closer must be installed in a true horizontal plane to ensure proper closer performance.
- Door opening (up to 180°) is dependent upon door, frame, wall and hinge/pivot conditions permitting.
- Maximum Hinge Side Reveal 1/8" (3mm).

A10 Heavy Duty Arm (Continued)

2. Install Closer Bracket

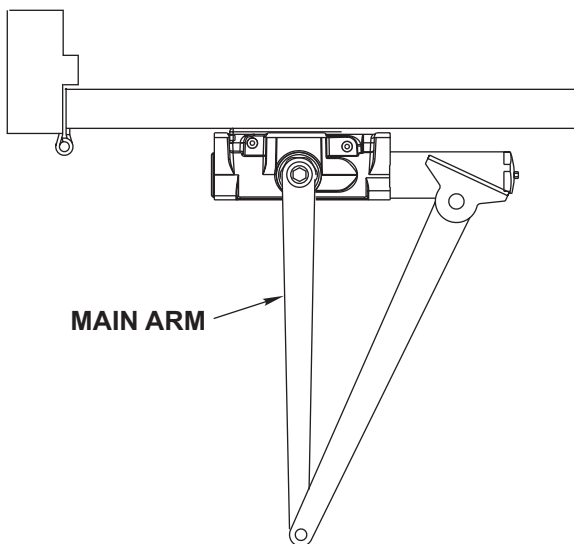


3. Mount Closer Body to Closer Bracket



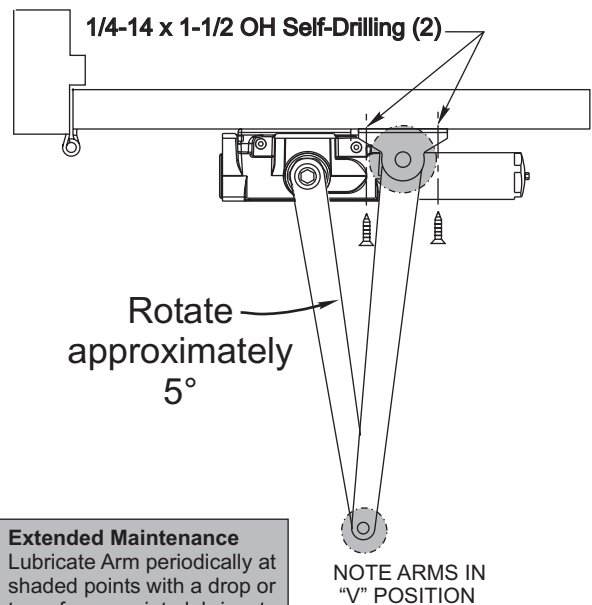
4. Position Arm on Closer

Main arm projects straight out at 90° angle to door.



5. Preload and Fasten Arm to Frame

Close door, swing arms so that they form a "V" position. Align holes in arm bracket with pre-drilled holes on frame and install attaching screw.



Extended Maintenance
Lubricate Arm periodically at shaded points with a drop or two of appropriate lubricant.

Spring Power Adjustment

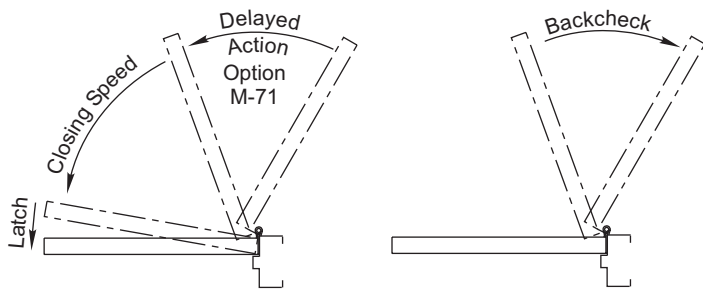
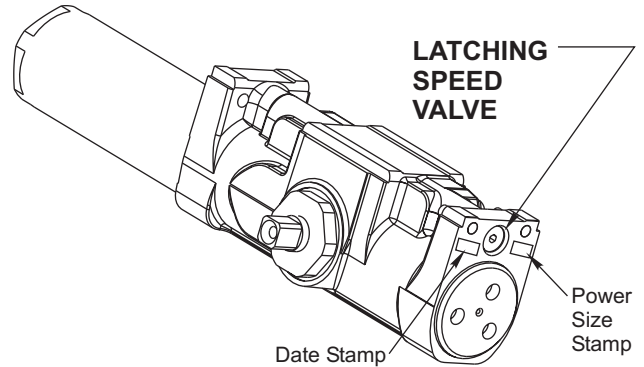
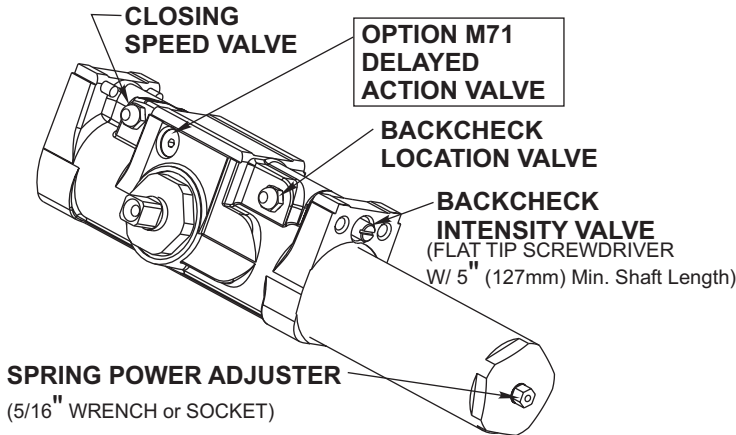
Locate spring power adjuster from illustration below
 DC6400 Half Size Adjustment as Desired
 DC6200 Size 1 thru 6 Adjustment See Chart

Size of Door		No. of Full (360°) Turns Clockwise of Power Adjuster	Equivalent Closer Size (Approx.)
Interior	Exterior In Swing		
2' 4" (712)	2' 6" (764)	4	2
2' 6" (764)	3' 0" (915)	8	3
3' 0" (915)	3' 6" (1067)	12	4
3' 6" (1067)	4' 0" (1219)	16	5

DC6200 SPRING POWER ADJUSTMENT CHART

All DC6200 closers are factory set at an approximate **Size 3**.

- Adjust closer as necessary for door size using this chart.
- Readjustment may be required to suit prevailing conditions.



Closing Speed Valve (3/32 Allen Wrench Provided)

To adjust speed of door closing from fully open to a position 2" to 5" from closed, turn Closing Speed Valve **CLOCKWISE** to SLOW closing, **COUNTER-CLOCKWISE** to SPEED closing.

Latching Speed Valve (3/32 Allen Wrench Provided)

After closing speed has been obtained, turn latching speed valve **CLOCKWISE** to SLOW latching or **COUNTER-CLOCKWISE** to SPEED latching for last 2" to 5" of door travel.

NOTE: Set combination of CLOSING and LATCHING speeds to between 3 and 7 seconds Use of door by handicapped, elderly or small children may require even greater closing time.

Delayed Action Valve (3/32 Allen Wrench Provided)

Turn valve **CLOCKWISE** to SLOW closing, **COUNTER-CLOCKWISE** to SPEED closing. Delayed action may be adjusted from 20 seconds to 90 seconds, depending on degree of door swing. Delay occurs at the beginning of the door closing cycle from fully open down to 70°, where the closing speed valve then begins its control.

Backcheck Location Valve (3/32 Allen Wrench Provided)

Valve is closed, as shipped, from factory. To increase the degree of door opening where backcheck takes effect, turn valve counter-clockwise.

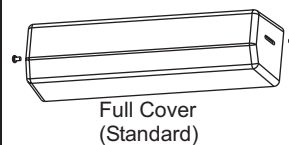
VALVE	OCCURS AT
CLOSED	60°-65°
OPEN	85°-90°

Degrees shown are approximate

Backcheck Intensity Valve

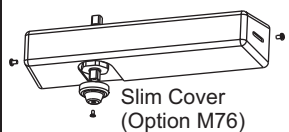
Turn valve **COUNTER-CLOCKWISE** to reduce backcheck or **CLOCKWISE** to increase backcheck. (Backcheck should be set to give a soft cushioning action. Not a sudden stop).

Installing Cover



Full Cover (Standard)

Slip cover over closer. Hold tightly against closer mounting surface. Secure on each side with 6-32 x 1/4" PBHMS screws.



Slim Cover (Option M76)

Slim Cover Option M76 only Position spindle cap over unused spindle and secure with 10-32 x 3/8 PTHMS screw.