



ASSA ABLOY

Installation Instructions



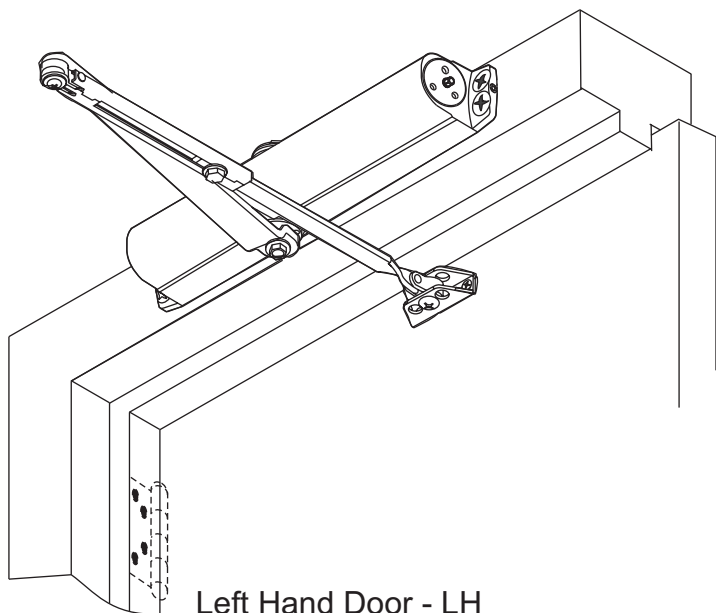
An Incorrectly installed or improperly adjusted door closer can cause property damage or personal injury. These installation instructions should be followed to avoid the possibility of misapplication or misadjustment.

8000 Series Non Handed Door Closer Non Hold Open Models

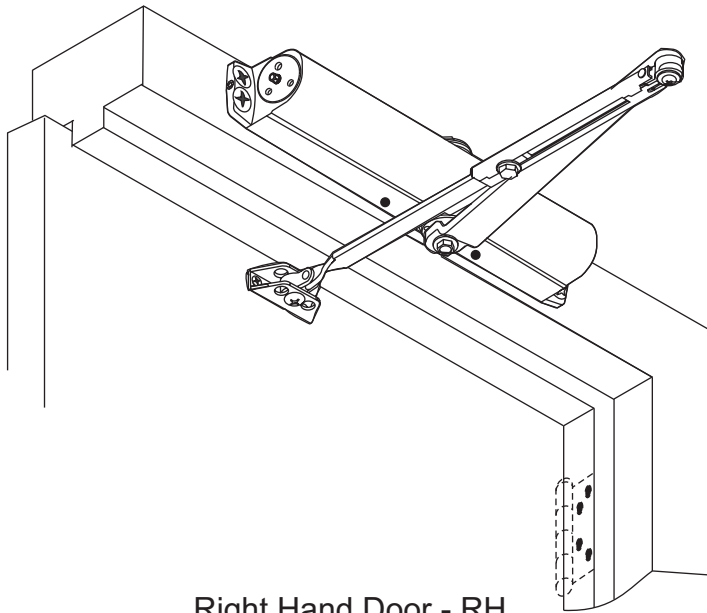
Top Jamb Installation

Adjustable (Sizes 1 thru 6)

JS8101
JS8301
JS8501



Left Hand Door - LH
Right Hand Reverse - RHR



Right Hand Door - RH
Left Hand Reverse - LHR

- "DA" suffix (Delayed Action) is an optional feature.
- **NOTE:** For special applications a separate door and frame preparation template is packed with these instructions. Use this instruction sheet for installation sequence and closer adjustments only.
- Doors should be hung on ball bearing or anti-friction hinges.
- A separate door stop is recommended.
- Door and frame must be properly reinforced.
- Always adjust spring power before adjusting control valves.
- Adjust closing time speed between 3 and 7 seconds from 90° to 0°. Greater closing times may be required for elderly or handicapped.
- These door closers should NOT be installed on the exposed side (weather side) of exterior doors.

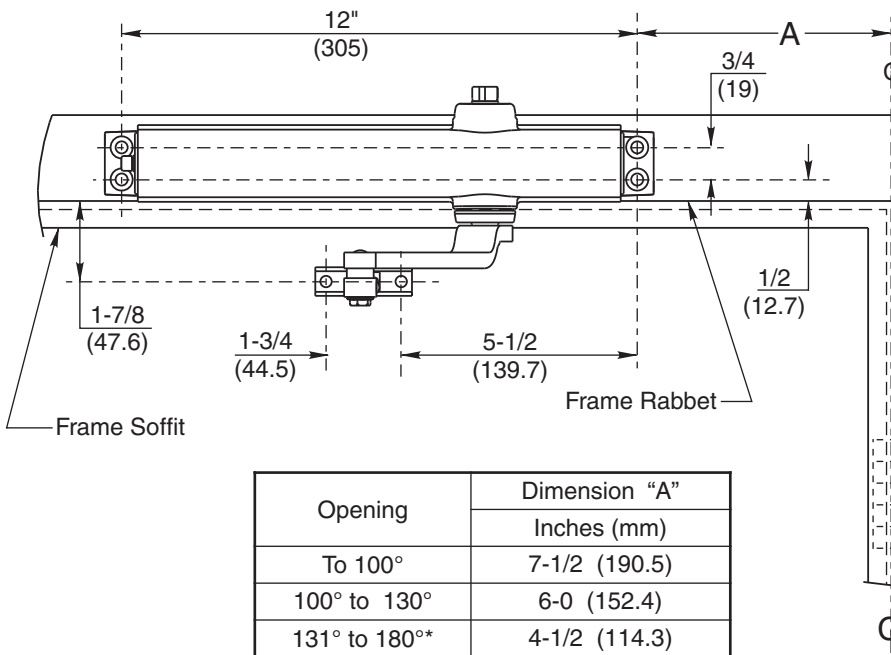
8000 Series

Non Hold Open Door Closers — Top Jamb Arm

	Metal 	Wood 	Self Drilling Screws Wood and Metal <p>For Wood drill 3/16 hole</p> Machine Screws <p>#7 Drill, 1/4-20 Tap</p>	(Optional) Sleeve Nut and Bolt <p>Drill 9/32 thru from Closer Side 3/8 Drill other side</p> Thru Bolt and Grommet Nut <p>Drill 9/32 thru from Closer Side 3/8 Drill other Side</p>

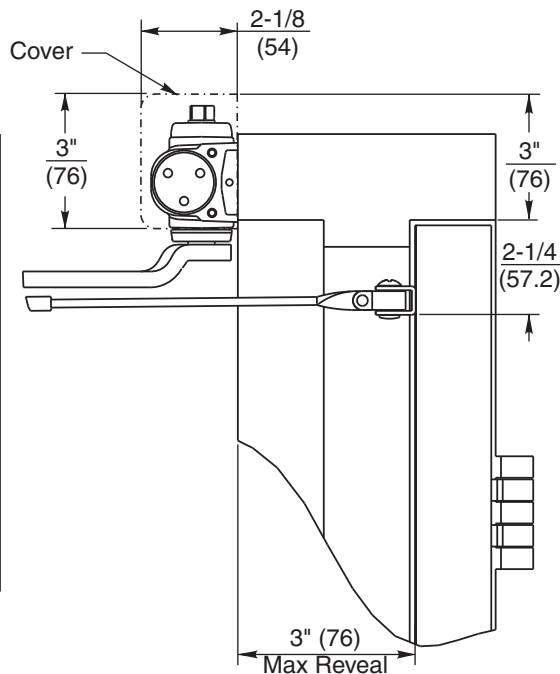
Mark and Drill Holes

This template for use with standard butt hinges or 3/4 offset pivots.
For all other hardware, please consult factory for template.



Opening	Dimension "A"
	Inches (mm)
To 100°	7-1/2 (190.5)
100° to 130°	6-0 (152.4)
131° to 180°*	4-1/2 (114.3)

*Door/Frame/Hardware/Wall conditions permitting.



Centerline of Hinge or Pivot

7701-A Connecting rod required for reveals greater than 3" (76).

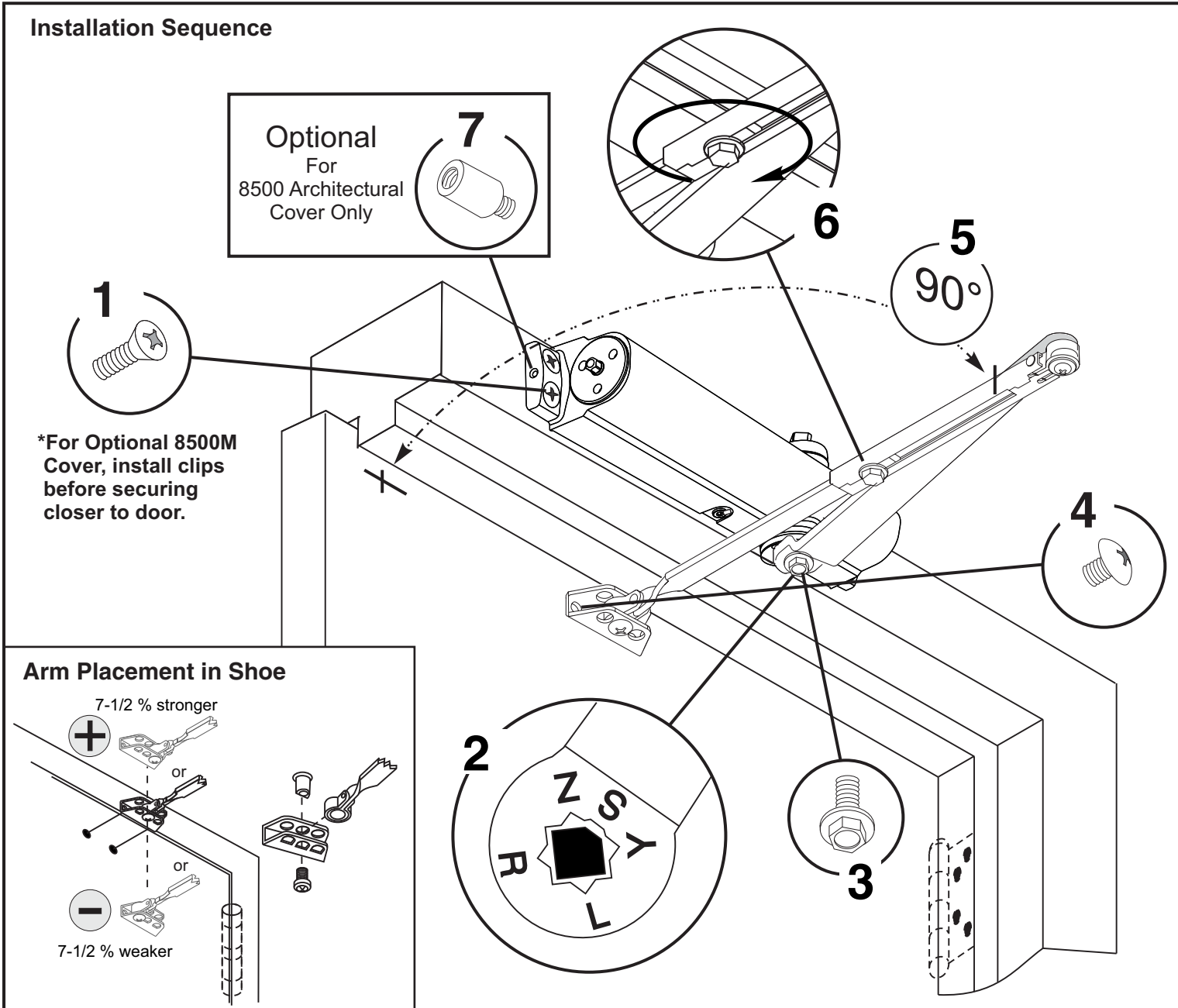
- Do not scale drawing.
- **Right hand door shown**, left hand opposite.
- Dimensions are in inches / (mm)
- Hollow metal door require channel or box type reinforcement when through bolt mount is specified.

- Sex bolts required for wood or plastic faced fire door mounting.
- Minimum thickness recommended for reinforcements in hollow metal doors and frames: .146" (2.66mm) unless otherwise specified.
- Maximum width hinge for this template is 5" (127).

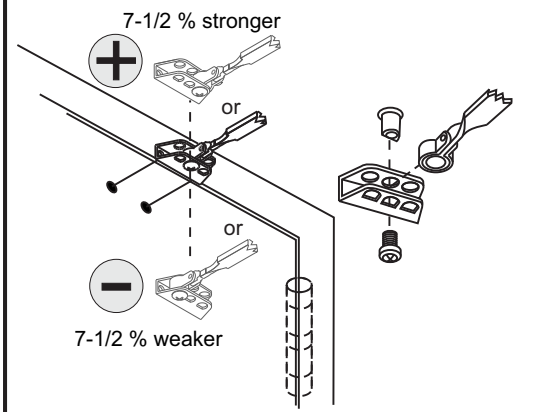
8000 Series

Non Hold Open Door Closers — Top Jamb Arm

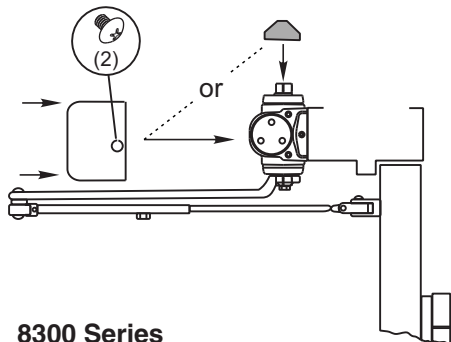
Installation Sequence



Arm Placement in Shoe



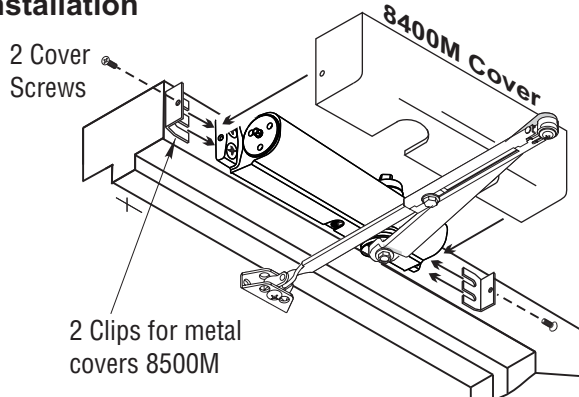
Pinion Cap or Optional Cover



8300 Series

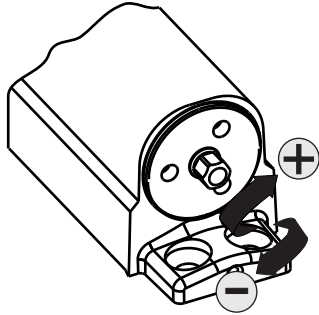
Screw pinion cap onto pinion shaft by hand or with a Phillips screw driver - **DO NOT OVER TIGHTEN.**

***Optional 8500M Metal Cover Installation**



8000 Series

Spring Power Adjust



(Use 5/16" Socket or Adjustable Wrench for this Adjustment)



The closing force for series 8101, 8301 & 8501 door closers is adjustable from a size 1 to a size 6, as outlined in ANSI Standard A156.4. When these series of door closers are installed and adjusted to conform to ADA reduced opening force requirements (5 lbs max.) for interior doors, they may not have adequate closing force to reliably close and latch the door. Power adjustments charted on this page are recommended where possible, to ensure proper door control.

Adjustment Chart

Top Jamb
J8101/J8301/J8501

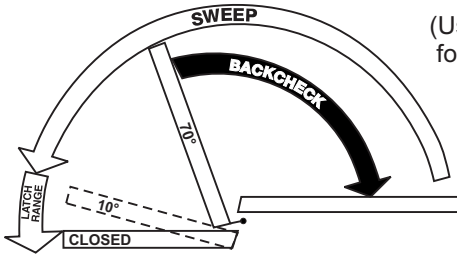
Number of Turns Required

DOOR	*	MAXIMUM DOOR SIZE			
		32" (0.85M)	36" (0.90M)	42" (1.00M)	48" (1.20M)
INTERIOR	FULL 360° TURNS OF 5/16 POWER ADJUSTMENT WRENCH	5	8	11	13
EXTERIOR		7	10	13	16

*20 FULL (360°) TURNS MAXIMUM AVAILABLE
Closer is shipped set at mid range setting = 10 turns



By law the Americans with Disabilities Act (ADA) may require that door closer installation comply with accessibility guidelines.

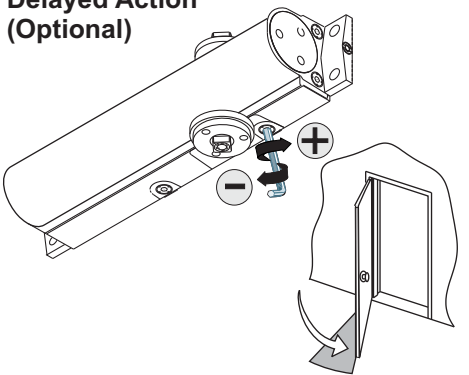


(Use 1/8" Hex Wrench for these Adjustments)

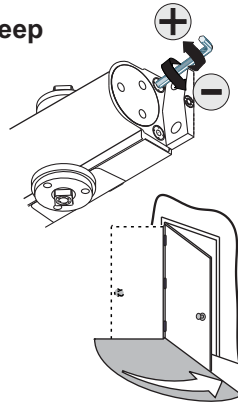


Adjust Closing Speed Time to between 3 to 7 seconds from 90°. Use of the door by handicapped, elderly or small children may require greater closing time.

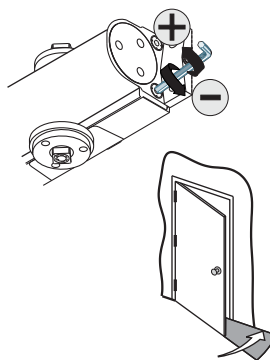
Delayed Action (Optional)



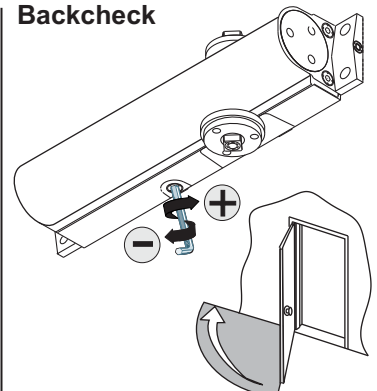
Sweep



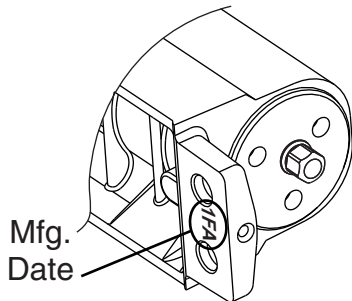
Latch



Backcheck



To Identify Date Code:



ASSA ABLOY

3000 Highway 74 East • Monroe, NC 28112
Tel: (877)-974-2255 • Fax: (800)-338-0965
www.nortondoortcontrols.com