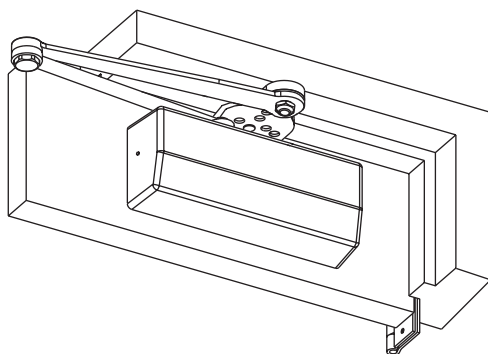


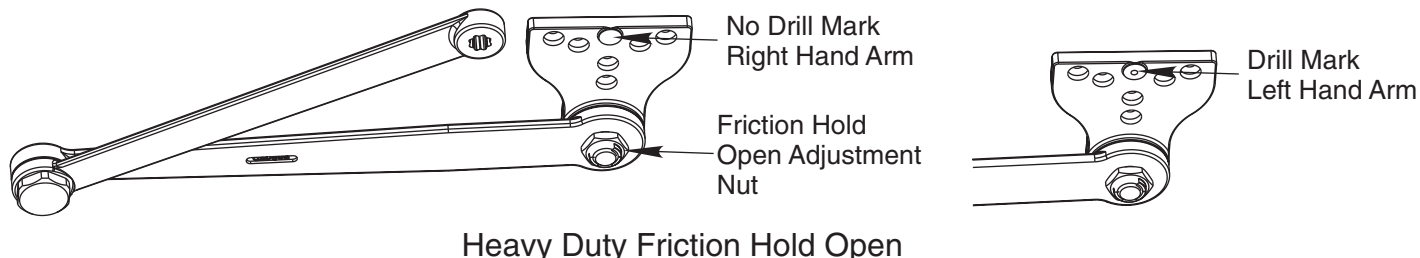
# Installation Instructions

As Easy As **A** — **B** — **C** → **G**

## DC8210 Series Multi-Sized 1 thru 6



**Universal Door Closer  
with A14 Heavy Duty  
Friction Hold Open  
Parallel Arm**



### IMPORTANT:

- An improperly installed or incorrectly adjusted door closer may cause **property damage** or **personal injury**; and will void product warranty.
- To avoid personal injury, **DO NOT DISASSEMBLE THIS DOOR CLOSER BODY.**
- Door closers must be securely fastened to a properly reinforced door and frame with fasteners provided.
- An auxiliary door stop, BY OTHERS, is required for this Installation
- Arm is handed and must match hand of door.

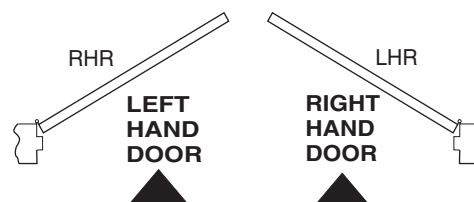
### BEFORE INSTALLING:



- The Americans with Disabilities Act (ADA) requires that doors having door closers have an opening force not to exceed 5 lbf.
- The door closer's power size adjustment feature may require adjustment to its lowest setting to comply with ADA opening force guidelines.
- ADA compliant closers are: DC8210.

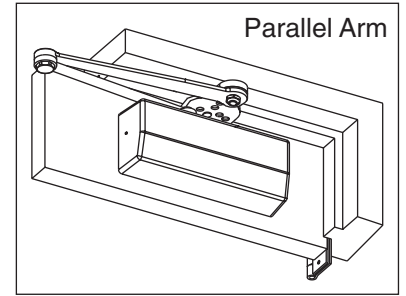
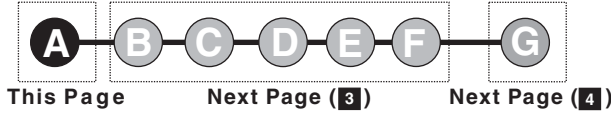
Size of Door & Door Closer					
Type of Installation	Interior	Exterior In-swinging	Exterior Out -swinging	Recommended Closer Size	**Max. Opening Force lbs/f
Parallel Arm	2'4"	_____	_____	1	8
	2'6"	_____	_____	2	14
	3'0"	_____	2'6"	3	16
	3'6"	_____	3'0"	4	22
	4'0"	_____	3'6"	5	24
	4'6"	_____	4'0"	6	26

### TO DETERMINE HAND OF YOUR DOOR:



**\*\*NOTE:** These forces are for standard templating with bearing type hinges and do not account for pressure differentials and draft.

# DC8200xA14 Heavy Duty Friction Hold Open Parallel Arm Installation Instructions

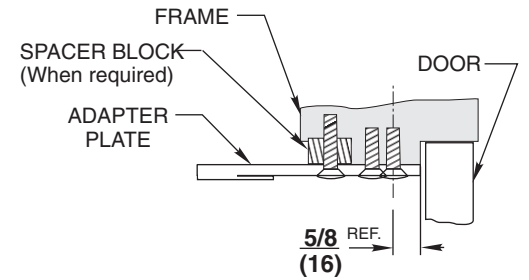
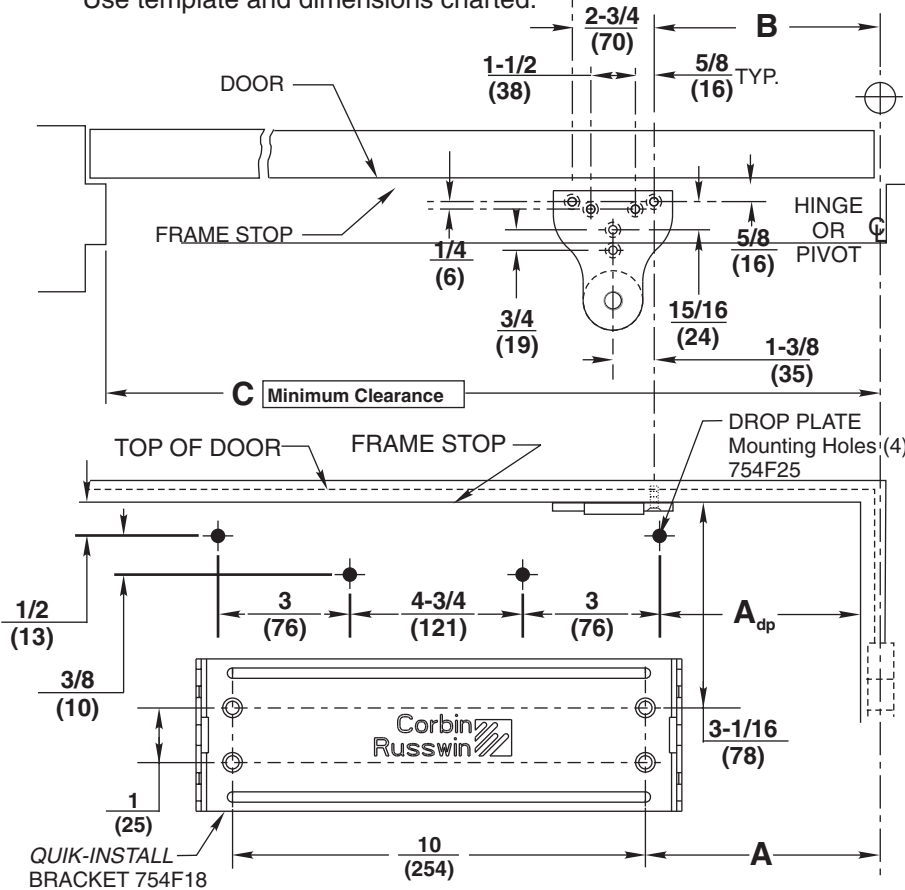


## NOTES:

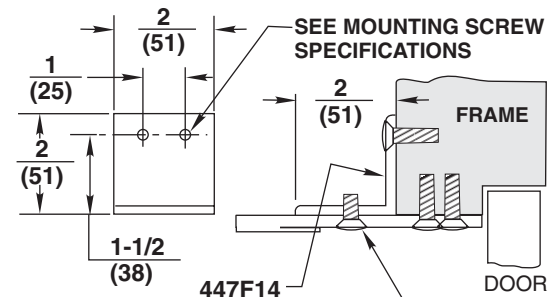
- Check hand of door, see page **1**.
- Right Hand Application Shown. Left Hand Opposite.
- Dimensions given in inches (mm). Do Not Scale Drawing.
- Closer must be installed in a true horizontal plane to ensure proper closer performance.
- Friction Hold Open arms are handed and not reversible. See handing marks on soffit plate.

## A Template

Mark Door and Jamb (for QUIK-INSTALL<sup>®</sup> bracket and arm bracket)  
Use template and dimensions charted.



## M85 OPTION 447F14 ANGLE SUPPORT BRACKET



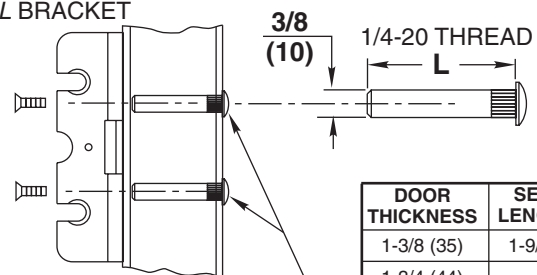
NOTE: ANGLE SUPPORT MUST BE DRILLED AND TAPPED IN THE FIELD

MAXIMUM OPENING	A (Quick Install Bracket)	A <sub>dp</sub> (Drop Plate)	B (Soffit Bracket)	C (Clearance)	Application
90°	7-1/4 (184)	2-3/4 (70)	11 (279)	27 (686)	NON A.D.A.
180°	3-1/4 (83)	6-3/4 (171)	7 (178)	23 (584)	

## MOUNTING SCREW SPECIFICATIONS ARM AND QUIK-INSTALL BRACKET

#12-14 self-drilling screw.  
1/8 (3) diameter pilot hole required for Wood Applications.

or Sex nuts, furnished when ordered



DOOR THICKNESS	SEX NUT LENGTH "L"
1-3/8 (35)	1-9/32 (33)
1-3/4 (44) & OVER	1-21/32 (42)

Drill thru 9/32 (7) Enlarge to 3/8 (10) Dia. This Side Only (4 Places)



ASSA ABLOY

80-9380-8007-152 Rev. 07/09

ASSA ABLOY, the global leader in door opening solutions

# DC8200xA14 Heavy Duty Friction Hold Open Parallel Arm Installation Instructions

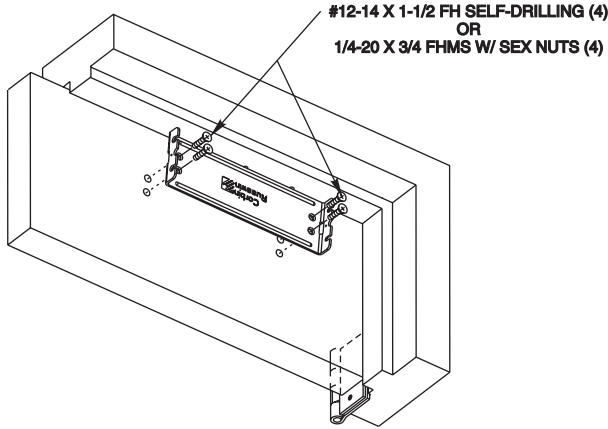


Previous Page (2)

This Page

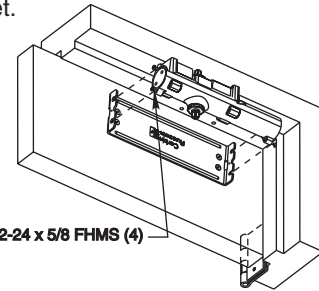
Next Page (4)

## B Mount QUIK-INSTALL® Bracket

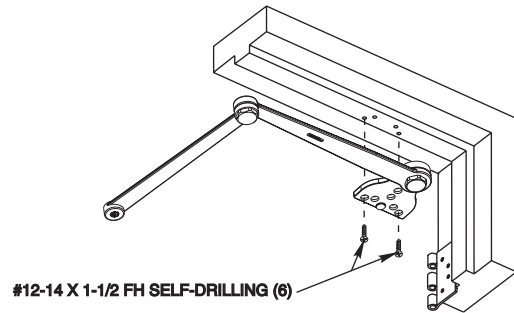


## C Mount Closer Body to QUIK-INSTALL Bracket

- Start the four mounting screws into the four closer mounting holes.
- Place the closer onto the *QUIK-INSTALL* bracket with the four mounting screws inserted into the four *QUIK-INSTALL* bracket slots.
- Tighten the four mounting screws to fasten the closer body to the *QUIK-INSTALL* bracket.



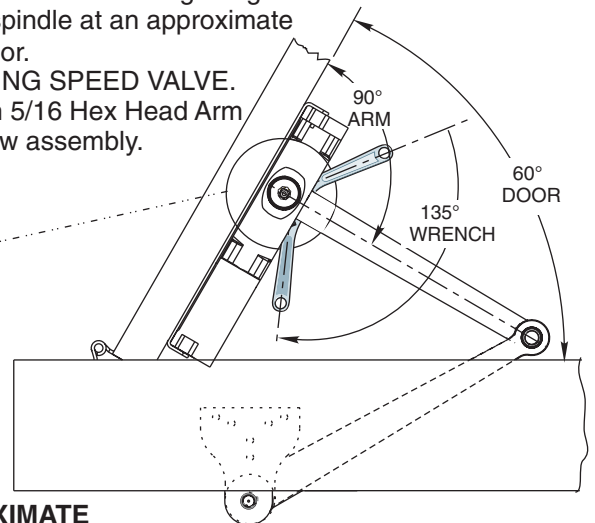
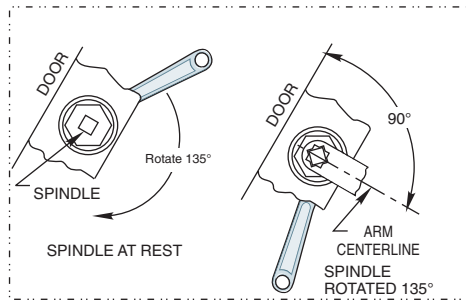
## D Mount Arm to Door Frame



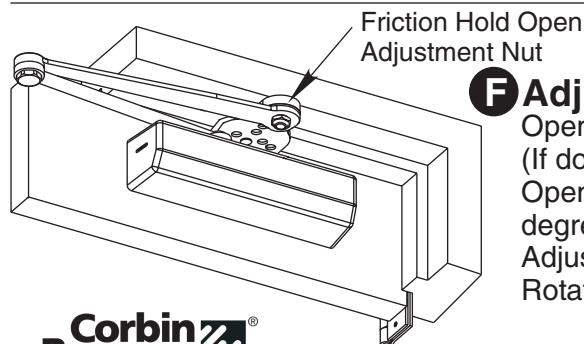
## E Connect Arm To Closer

Using hex wrench provided, close (turn clockwise) CLOSING SPEED VALVE (see page 4 for location on closer). **DO NOT OVER TIGHTEN.**

- Open door to approximately 60°
- Using wrench on underside of spindle, rotate approximately 135° toward hinge edge of door.
- Install arm on spindle at an approximate 90° angle to door.
- Reopen CLOSING SPEED VALVE.
- Install & tighten 5/16 Hex Head Arm Washer & Screw assembly.



ALL ANGLES SHOWN ARE APPROXIMATE

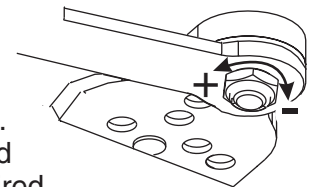


## F Adjust Hold Open Position

Open the door to desired degree of hold open. (If door does not open far enough, loosen Hold Open Adjustment Nut.) Place door at the desired degree for hold open and tighten the Hold Open Adjustment Nut.

Rotation: Counter-clockwise will increase (+) angle. Clockwise will decrease (-) angle.

- Pushing door beyond the set hold open point may cause damage to product.



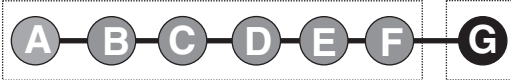
Corbin  
Russwin®

ASSA ABLOY

80-9380-8007-152 Rev. 07/09

ASSA ABLOY: the global leader in door opening solutions

# DC8200xA14 Heavy Duty Friction Hold Open Parallel Arm Installation Instructions



Previous Page (2, 3)

This Page

## G Adjust Closer

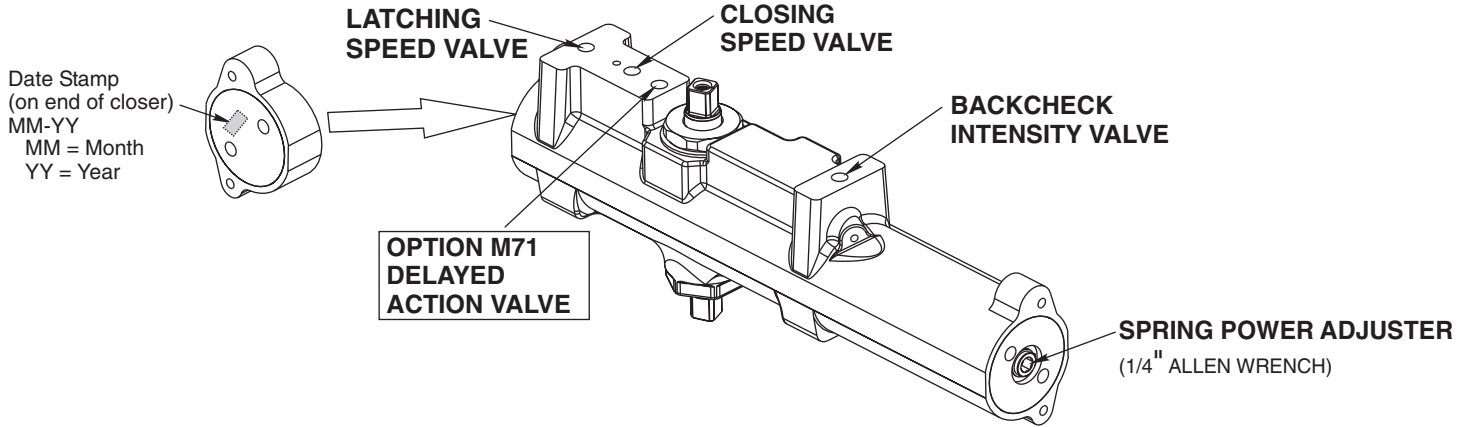
### Spring Power Adjustment

Locate spring power adjuster from illustration below  
DC8200 Size 1 thru 6 Adjustment See Chart

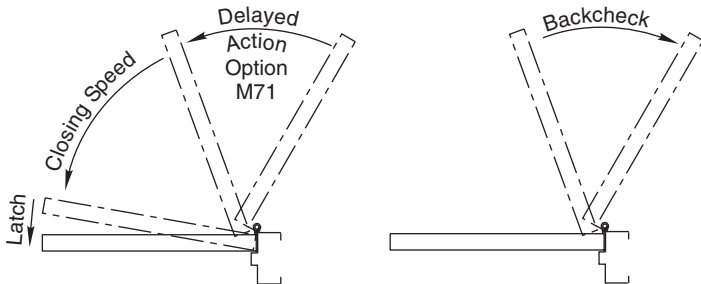
#### DC8200 SPRING POWER ADJUSTMENT CHART

- All DC8200 closers are factory set at an approximate **Size 3**.
- Adjust closer as necessary for door size using this chart.
- Readjustment may be required to suit prevailing conditions.

Size of Door			Spring Power Adjustment No. Full Turns Clockwise	Equivalent Closer Size (Approx.)
Interior	Exterior In Swing	Exterior Out Swing		
2' 4" (712)	2' 6" (764)	—	2-7	3
2' 6" (764)	3' 0" (915)	—	7-11	4
3' 0" (915)	3' 6" (1067)	2' 6" (764)	11-15	5
3' 6" (1067)	4' 0" (1219)	3' 0" (915)	15-17	6



Date Stamp  
(on end of closer)  
MM-YY  
MM = Month  
YY = Year



door closing cycle from fully open down to 70°, where the closing speed valve then begins its control.

### Backcheck Intensity Valve

Turn valve COUNTER-CLOCKWISE to reduce backcheck or CLOCKWISE to increase backcheck. (Backcheck should be set to give a soft cushioning action, not a sudden stop.)

### Closing Speed Valve (1/8 Allen Wrench Provided)

To adjust speed of door closing from fully open to a position 2" to 5" from closed, turn Closing Speed Valve CLOCKWISE to SLOW closing, COUNTER-CLOCKWISE to SPEED closing.

### Latching Speed Valve (1/8 Allen Wrench Provided)

After closing speed has been obtained, turn latching speed valve CLOCKWISE to SLOW latching or COUNTER-CLOCKWISE to SPEED latching for last 2" to 5" of door travel.

NOTE: Set combination of CLOSING and LATCHING speeds to between 3 and 7 seconds Use of door by handicapped, elderly or small children may require even greater closing time.

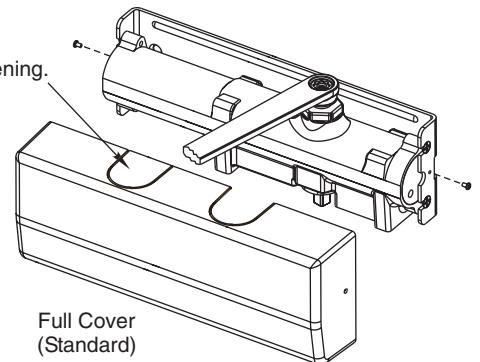
### Delayed Action Valve (1/8 Allen Wrench Provided)

Turn valve CLOCKWISE to SLOW closing, COUNTER-CLOCKWISE to SPEED closing. Delayed action may be adjusted from 20 seconds to 90 seconds, depending on degree of door swing. Delay occurs at the beginning of the

### Installing Cover

- Slip cover over closer.
- Hold tightly against QUIK-INSTALL® Bracket surface.
- Secure on each side with 6-32 x 1/4" PBHMS screws.

Insert is removable.  
Place in unused opening.



Full Cover  
(Standard)



ASSA ABLOY

80-9380-8007-152 Rev. 07/09

Copyright © 2006, 2009, Corbin Russwin, Inc., an ASSA ABLOY Group company. All rights reserved. Reproduction in whole or in part without the express written permission of Corbin Russwin, Inc. is prohibited.

ASSA ABLOY is the global leader in door opening solutions, dedicated to satisfying end-user needs for security, safety and convenience.