

INSTALLATION INSTRUCTIONS FOR 7800/8200 MORTISE LOCK VISUAL(185C)/OCCUPANCY(185P) INDICATORS

SARGENT

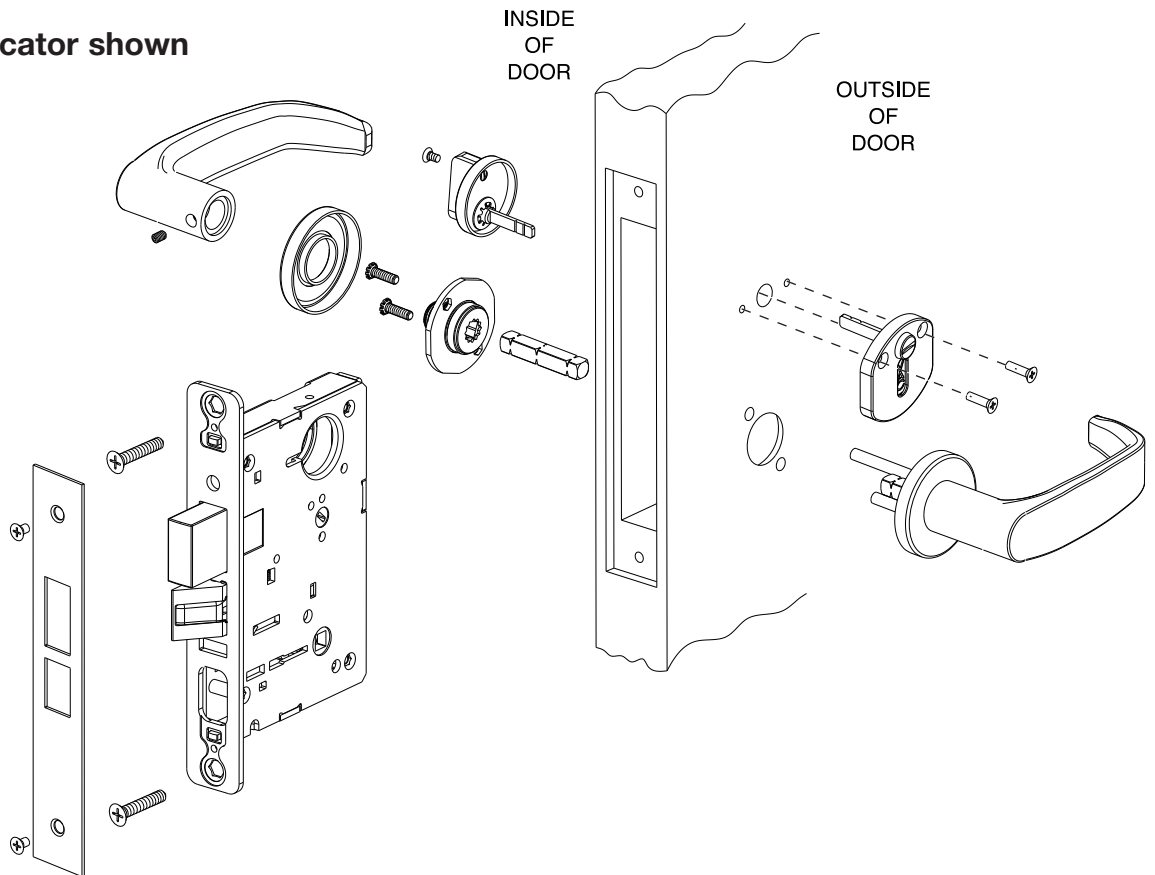
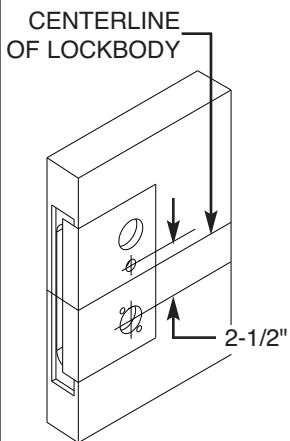
ASSA ABLOY

For assistance contact SARGENT at 800-727-5477 or www.sargentlock.com

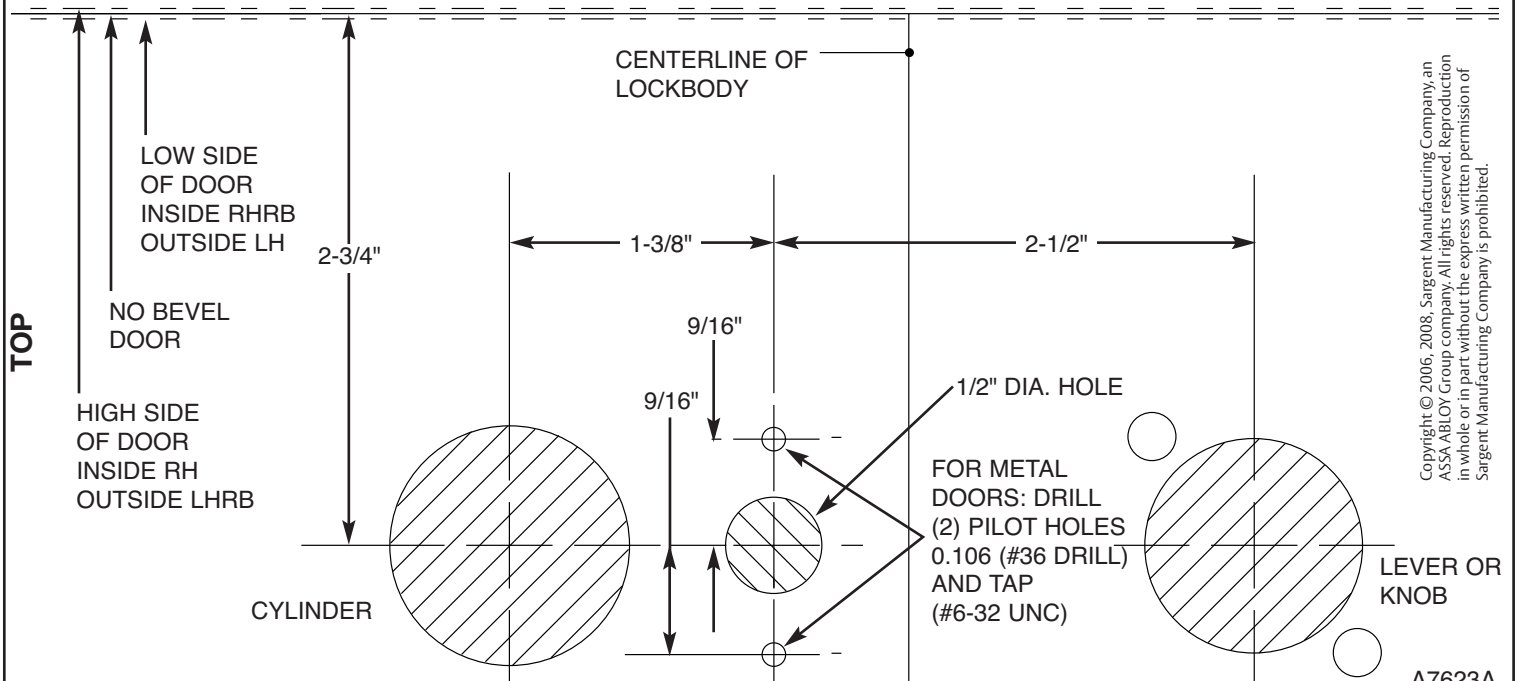
ASSA ABLOY, the global leader
in door opening solutions

185P Occupancy Indicator shown

TEMPLATE LAYOUT ON DOOR EDGE



FOLD HERE ACCORDING TO DOOR HAND AND BEVEL



Copyright © 2006, 2008, Sargent Manufacturing Company, an ASSA ABLOY Group company. All rights reserved. Reproduction in whole or in part without the express written permission of Sargent Manufacturing Company is prohibited.

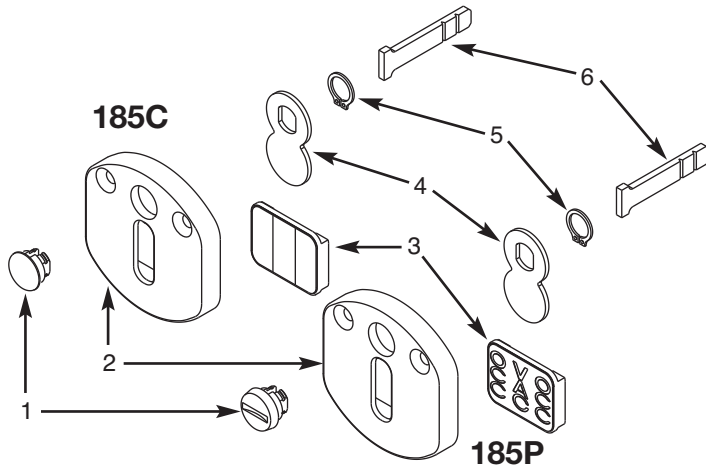
INSTALLATION INSTRUCTIONS FOR 7800/8200 MORTISE LOCK VISUAL(185C)/OCCUPANCY(185P) INDICATORS

SARGENT

ASSA ABLOY

For assistance contact SARGENT at 800-727-5477 or www.sargentlock.com

ASSA ABLOY, the global leader
in door opening solutions



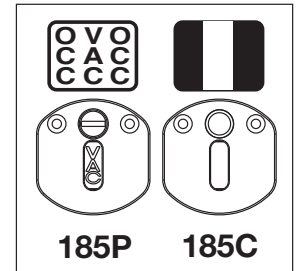
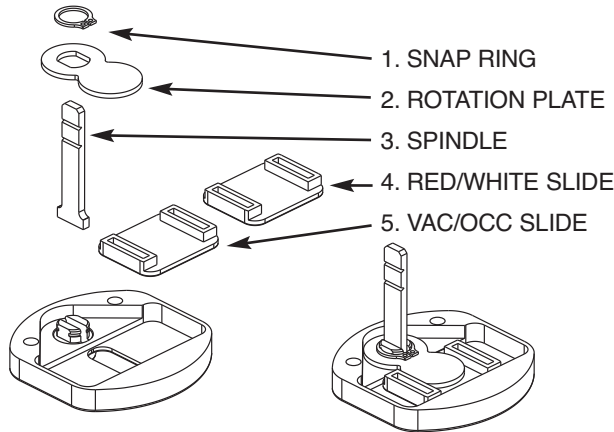
Item	Description	Qty.	Part Number
1	Indicator Button	1	82-0592
	Indicator Button—Emrgcy. Release	1	82-0591
2	Housing Plate	1	82-0589
3	Red/White Slide	1	82-4050
	VAC/OCC Slide	1	82-4051
4	Rotation Plate	1	82-0590
5	Snap Ring	1	01-4552
6	Spindle	1	77-1195
7	#6 x 5/8" Wood Screw (not shown)	2	01-2036
8	#6-32 x 1/2" MS (not shown)	2	01-1020

INSTRUCTIONS FOR CHANGING INDICATOR SLIDES

1. REMOVE SNAP RING.
2. REMOVE PARTS 2, 3, & 4 OR 5.
3. REPLACE WITH ALTERNATE SLIDE.
4. REASSEMBLE PARTS 2 & 3.

**NOTE: CHECK FOR PROPER ORIENTATION
OF VAC/OCC SLIDE TEXT.**

5. REPLACE SNAP RING INTO GROOVE IN
BUTTON.



FOLD HERE ACCORDING TO DOOR HAND AND BEVEL

