

SARGENT®

ASSA ABLOY

1431 Series

Powerglide® Door Closer



Table of Contents

1431 Series Powerglide®

General Information	1
Features and Benefits	2
Standard Applications.....	3
Arms and Accessories for Standard Applications.....	4
Top Jamb Applications	5
Arms for Top Jamb Applications	6
Parallel Arm Applications.....	7
Heavy Duty Parallel Arms.....	8
Regular Duty Parallel Arms	9
Accessories for Parallel Applications.....	10
Track Type Applications	11
Suggested Architect's Specifications, ADA Compliance and General Information	12
Door Closer and Overhead Stop/Holder Compatibility Chart	13
How to Order	14

The 1431 line of surface mounted door closers has been engineered to meet the demands of architects and building owners. The 1431 Series is a complete line of closers for interior and exterior doors with quality and flexibility to meet virtually every application.

Primary Closer Arm Identification Letters

O	Standard Arm
H	Hold Open Arm
Z	Deep Reveal Arm 2-1/8" to 5"
ZA	Extra Deep Reveal Arm 5-1/8" to 8"
P	Parallel Arm or Push Side
S	Arm with Positive Stop
C	Arm with Positive Cushioned Stop "C" is always accompanied by an "S" (Stop)

Note: Often more than one letter is used to describe one type of arm

Underwriters' Laboratories Listing

All SARGENT Powerglide® Door Closers are listed by the Underwriters' Laboratories, Inc. as follows:

"For Self-Closing Doors Without Hold-Open Feature"

Any retrofit or other field modification to a fire rated opening can potentially impact the fire rating of the opening, and Sargent Manufacturing Company makes no representations or warranties concerning what such impact may be in any specific situation. When retrofitting any portion of an existing fire rated opening, or specifying and installing a new fire-rated opening, please consult with a code specialist or local code official (Authority Having Jurisdiction) to ensure compliance with all applicable codes and ratings.



On The Cover

- SARGENT 1431 Door Closer with US26 plated O arm and metal cover

General Information

1431 Series Powerglide®

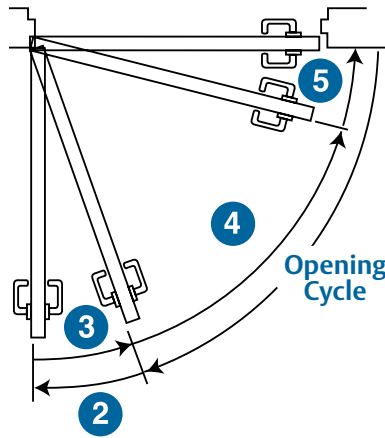
1 Closer Spring Adjustment (not shown)

- Effects the entire cycle of the door closer movement
- Used to size closer for application requirements
- Determines the amount of force with which the door closes and the amount of force required to open the door
- Adjustable to compensate for door size and draft conditions

2 Backcheck valve

- At approximately 70° of the open cycle, the Backcheck Valve begins to slow the door's motion
- Prevents the door from slamming into the door's stop
- Valve is used to control the intensity of the Backcheck
- **Note:** A Positive stop is required, Backcheck cannot be used as a stop

Door Closer Cycle



3 Delayed action valve (Optional)

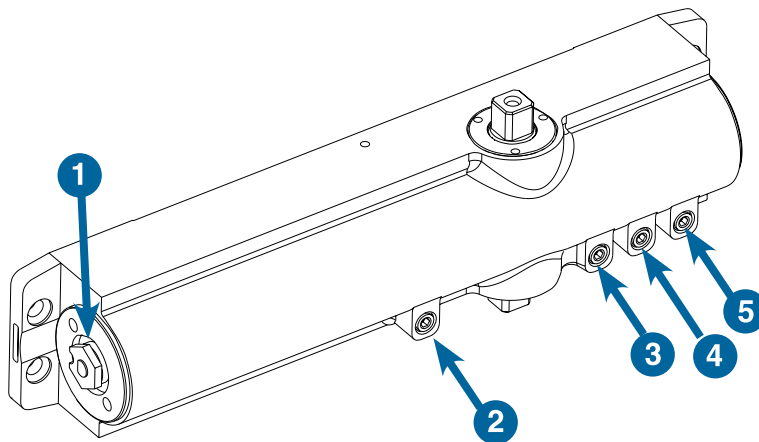
- Holds the door in the open position momentarily
- 20 second minimum hold open delay
- The feature is available for all applications and arms
- Beneficial when moving carts or objects thru door opening and ADA applications

4 Closing speed valve

- Controls how fast the door closes to approximately 8" from the closed position

5 Latching speed valve

- Controls the speed of the door during the final 8" of door swing
- The force the door closes with is controlled by the Closer spring
- **Note:** This adjustment is critical for door latching



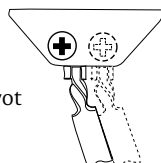
ANSI Standards

ARM	TYPE	ARM	TYPE
O	CO2011	PF9	CO2101
P9	CO2021	P10	CO2021
H	CO2051	PS/CPS	CO2021
PH9	CO2061	CPSH/PSH	CO2061

All are certified ANSI types including options PT4 A, B, D, E, F, G, H

Arm Leverage Adjustment

Closers using "O" arms have the provision to increase closing power by 15% by adjusting foot pivot



How to Select the Proper Closer

Things to Consider

1. Size and Weight of Door

The 1431 Door Closer is non-sized so that closing force can be adjusted in the field to accommodate various door sizes and weights.

2. Interior Application

The standard application is the most efficient in terms of power and control.

3. Exterior Application

The top jamb, parallel arm application should be used. Exterior doors require greater closing forces because of draft conditions. Always place the closers out of the weather.

4. Degree of Opening

Proper arm and position on the door is most important to permit the door to open far enough to allow adequate traffic flow.

5. Function

Closers are available with hold-open or positive stop arms.

6. Special Condition

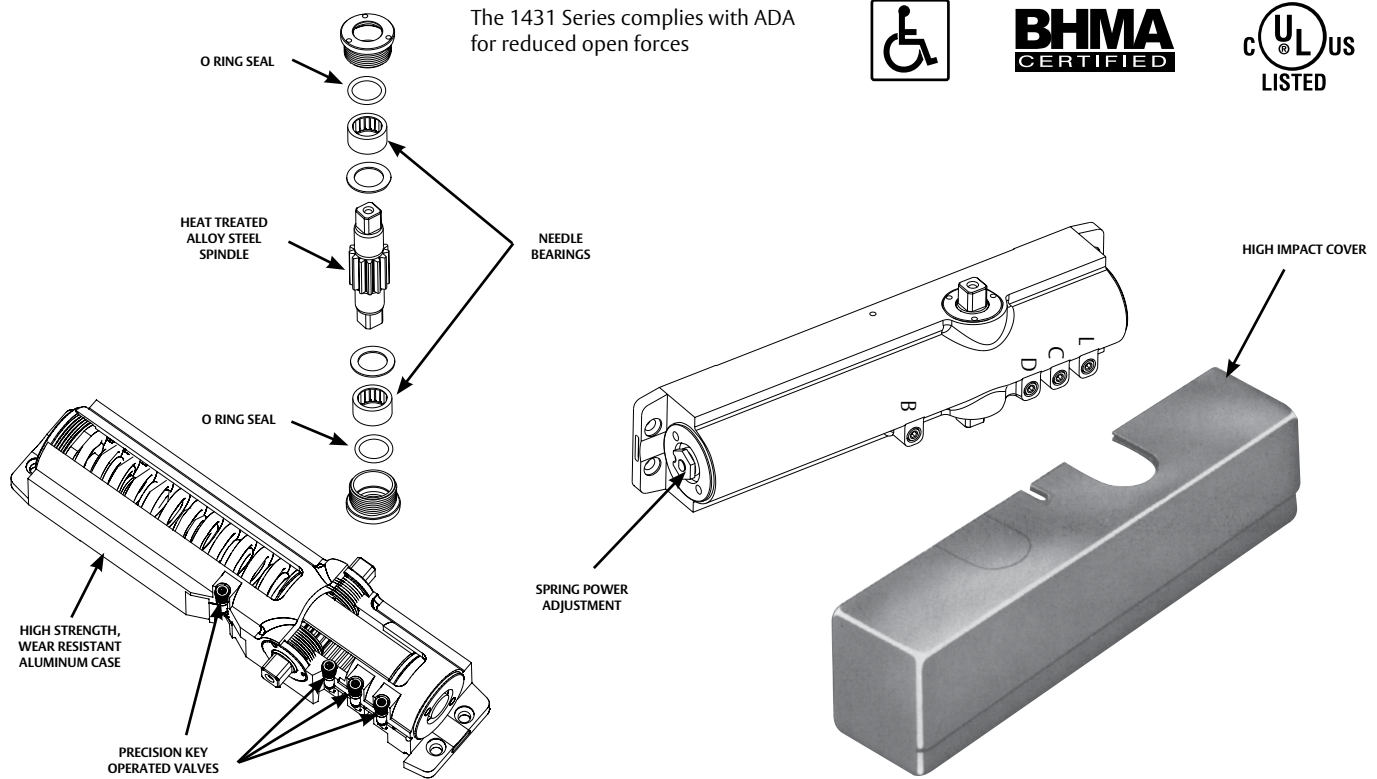
Consult factory when special hinges, overhead holders or other specialized hardware is used.

Features and Benefits

1431 Series Powerglide®

SARGENT®

ASSA ABLOY



Features

- Exceeds 15 Million cycles
- Certified ANSI/BHMA A156.4 Grade 1
- UL 10C listed for positive pressure fire test
- UL / cUL listed for use on fire rated doors
- 25 year limited warranty
- User friendly versatile mounting applications permit standard, top jamb, parallel and track installations
- Self sticking templates supplied for most applications
- Adjustable spring power allows 1431 closers a size range of 1 through 6. They are adjusted to size 3 before leaving the factory
- One door closer body for all applications. All 1431 are non-handed
- Meets ADA requirements in all applications, except Push Side Track application (except track)
- High impact non-corrosive plastic covers with two machine screws standard, metal covers and lead lined are optional
- All weather fluid allows closer to operate effectively in extreme temperatures without readjustment
- 1-1/2" diameter piston for superior door control
- Standard pressure relief valves for both opening and closing cycles protect the door and frame from damage caused by abuse
- Retrofits existing SARGENT 1230/1231 Series Closer installations

Heavy Duty Construction

- Heat treated full rack and pinion for high

strength and wear resistance

- Heavy duty one piece high silicon content aluminum alloy body provides corrosion resistance, superior strength and wear resistance
- 1/2" arm engagement over a 7/16 square spindle ensures a wear-resistant tight joint

Fasteners

- Machine Screws and self tapping screws provided for closer and arm
- In addition, wood screws supplied when installed on wood doors with through bolts

Valves

- Separate brass low sensitivity control valves offer ability to separately regulate door speed, latching, backcheck and optional delayed action
- All valves are captured to prevent accidental removal, adjustable with an 1/8" Allen wrench
- Adjustable backcheck protects the door and hardware from damage during the opening cycle
- Adjustable delayed action (optional) permits easy access for physically impaired individuals

Full Complement of Arm Types

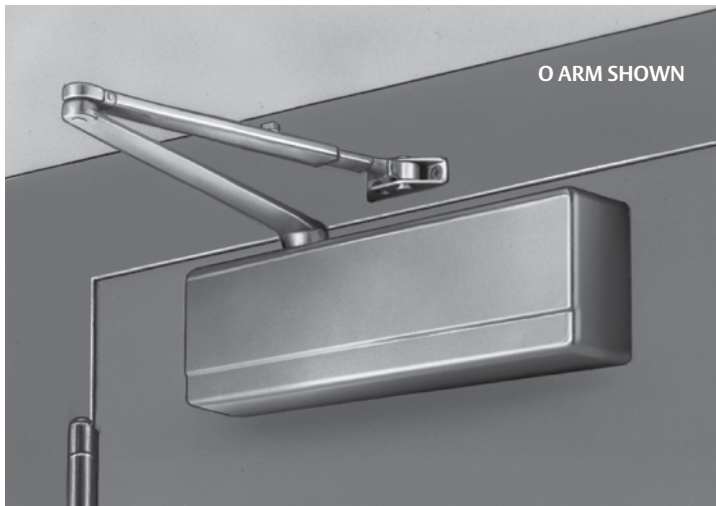
- Standard and parallel arms
- Push and pull track arms
- Heavy duty forged steel arms are finely finished and interchangeable between SARGENT 281 and 1431, and 351 Series. The cold formed arms (RO/RP9) are unique to the 1431 series and not interchangeable with other SARGENT closers

Standard Applications

1431 Series Powerglide®

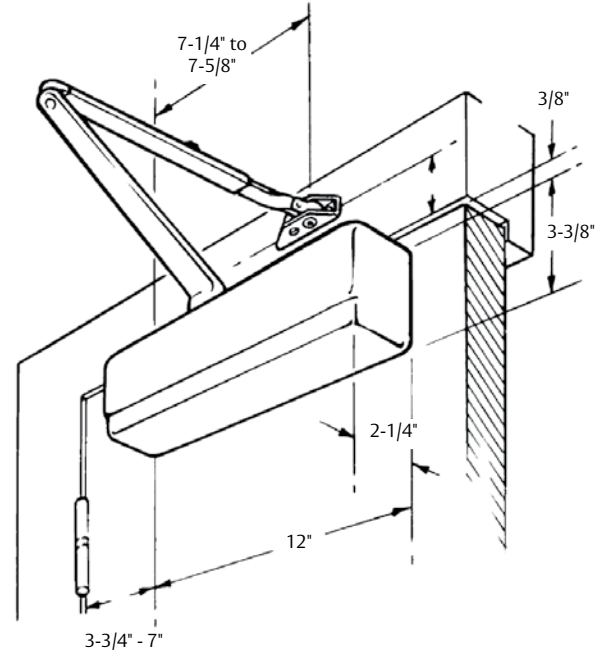
SARGENT®

ASSA ABLOY



The standard application of the 1431 door closer is the most common and the most desirable. The closer mounts on the hinge (pull) side of door (except when the W Corner Bracket is used). **Note:** This application is not recommended on exterior doors swinging out, since the closer is not protected from weather. The cover projection normally limits the door opening to a maximum of 160°.

1431-O Standard Application



1431 Standard Application for:

- Interior Doors Opening In or Out
- Exterior Doors Opening In

1431 Standard Application Door Opening Range

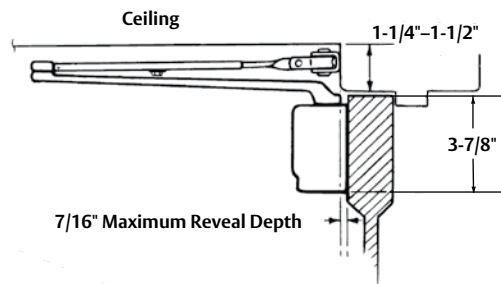
(Range based on Mounting Position)

- O & RO Standard Arms: 120°–180°
- H- Hold Open Arm: 90°–180°

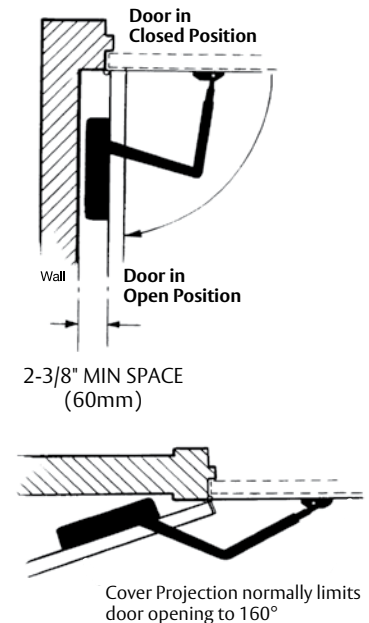
OLC - Low Ceiling Application Arm for Ceiling to Door Clearance of 1-1/4" – 1-1/2"

Door Top Rail Requirement

- 2-5/8" min. rail (116mm)
- For Top Rails less than 3-3/4" with window opening, the 1431-J Cover Plate is recommended



Wall Clearance Requirement



Arms and Accessories for Standard Applications

1431 Series Powerglide®

SARGENT®

ASSA ABLOY

O - Standard Arm

- Forged Steel Arm 11-1/4" (286mm) long
- Non-handed
- Permits 120° door opening with standard mounting
- Permits 180° door opening with alternate mounting or corner bracket



For arm only, order as 25-O x finish
Includes: 63-2607 - Main arm and link assembly
63-2216 - Foot assembly
64-2407 - Screw pack

RO Regular Arm

- Cold Formed Steel Arm 11-1/4" (286mm) long
- For reveal depths up to 2" (51mm)
- Arm is not handed
- Permits 180° door opening



For arm only, order as 25-RO x finish
Includes: 63-3396 - Main arm and link assembly
63-2216 - Foot assembly
64-2407 - Screw pack

H - Hold Open Arm

- Forged Steel Arm 11-1/4" (286mm) long
- Non-handed
- Hand is changed by inverting the foot assembly
- Friction type holder easily adjusted by a wrench
- Permits 180° door opening
- Holds open from 80° - 180°



For arm only, order as 25-H x finish
Includes: 63-2229 - Main arm and swivel assembly
61-2303 - Foot assembly
64-2407 - Screw pack

O8 - Mortise Foot Arm

- Forged Steel Arm 11-1/4" (286mm) long
- Non-handed
- Permits 120° door opening
- Commonly used with bull nose frames



For arm only, order as 25-O8 x finish
Includes: 63-2607 - Main arm and link assembly
63-2273 - Foot assembly
64-2407 & 63-2391 - Screw packs

H8 - Mortise Foot Hold Open Arm

- Forged Steel Arm 11-1/4" (286mm) long
- Handed same as door
- Friction type holder easily adjusted by a wrench
- Holds open from 80° - 180°



For arm only, order 25 R-H8 x finish for right hand or 25 L-H8 x finish for left hand
Includes: 63-2229 - Main arm & link assembly
63-2289 - Left hand foot assembly
63-2290 - Right hand foot assembly
63-2290RH - Foot assembly
64-2407 & 63-2391 - Screw packs

OLC - Standard Arm for Low Ceiling

- Forged Steel Arm 11-1/4" (286mm) long
- Non-handed
- Must be used when the distance between the top of door to ceiling is less than 1-1/4" (32mm)
- Permits 120° door opening with standard mounting



For arm only, order as 25-OLC x finish
Includes: 63-2549 - Main arm and link assembly
63-2216 - Foot assembly
64-2407 - Screw pack

UH Package

- Universal hold open arm package provides brackets and arms to install closer in top jamb, standard or parallel applications



Screw packs
64-2407 & 63-2391

125-PH9



UO/RUO Packages

- Universal arm package provides brackets and arms to install closer in standard top jamb or parallel applications



Screw packs
64-2407 & 63-2391

125-P9



1431-W Corner Bracket

- Fastens securely to both the head and jamb
- Malleable iron, painted to match closer finish
- Non-handed
- Requires 1-1/4" (32mm) minimum wide stop
- Order as 1431-W x finish



1431-J Cover Plate



- Can be used to improve appearance when narrow door rail permits closer to be viewed through glass panel. Specify finish.

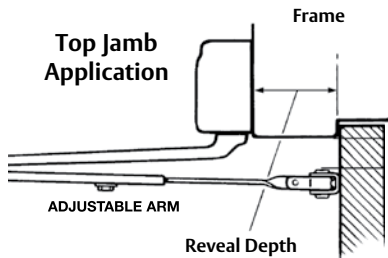
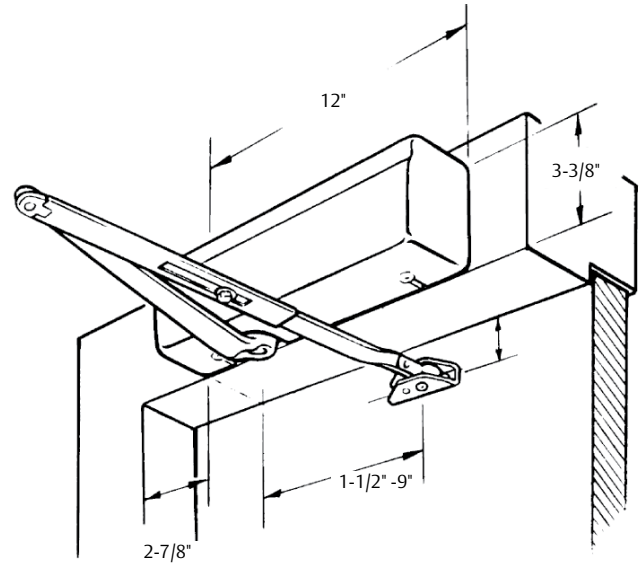
Top Jamb Applications

1431 Series Powerglide®



Top Jamb applications – The 1431 closer is mounted on the frame face above the door. The foot is mounted on the push side of door. This application is for use on exterior doors opening out to protect the closer from the weather.

1431-O Top Jamb Mounting Position



Minimum Frame Face Required

- 1-3/4" (44mm) for both single and double rabbeted frames

Minimum Door Top Rail Required to Mount Closer Foot

- 1-7/8" (48mm) minimum
- Rail height required depends on type and make of auxiliary holder if used

Adjustable Closing Force

- Interior doors to 5'0" wide
- Exterior doors to 4'0" wide
- Shipped factory preset for 3'0" door
- Factory pre-sized upon request

1431-O Typical Reveal Top Jamb Applications

For reveals up to 2" (51mm) maximum

- O or RO Arms - Max. Door Opening: 180°
- H Arm - Hold Open Range: 80° – 180°

1431-OZ Deep Reveal Top Jamb Applications

For reveals from 2-1/8" (54mm) to 5" (127mm)

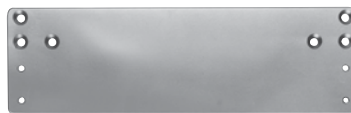
- OZ Arm - Max. Door Opening: 140°
- HZ Arm - Hold Open Range: 80° – 140°

1431-OZA Extra Deep Reveal Top Jamb Applications

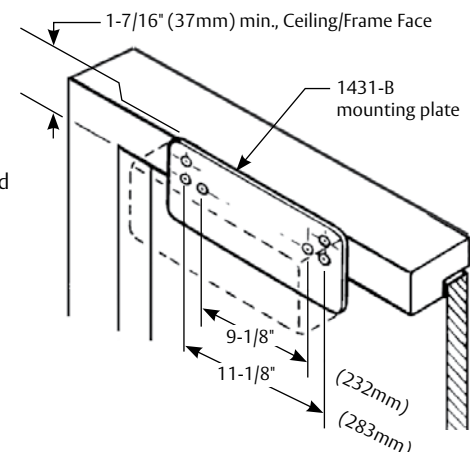
For reveals from 5-1/8" (130mm) to 8" (203mm)

- OZA Arm - Max. Door Opening: 140°
- HZA Arm - Hold Open Range: 80° – 130°

Top Jamb Application for Low Ceilings using 1431-B Mounting Plate



- Required for low ceiling condition and narrow face frames
- Available w/powder coat or plated finish to match cover
- Non-handed
- Plate mounting screws included
- Order as 1431-B x finish



Arms for Top Jamb Applications

1431 Series Powerglide®

Narrow Reveal Arms

O - Standard Arm

- Forged Steel Arm
11-1/4" (286mm) long
- For reveals
up to 2" (51mm)
- Non-handed
- Permits 180° door
opening



For arm only, order as 25-O x finish
Includes:

63-2607 - Main arm and link assembly
63-2216 - Foot assembly
64-2407 - Screw pack

RO Regular Arm

- Cold Formed Steel Arm
11-1/4" (286mm) long
- Non-handed
- Permits 120° door
opening with standard
mounting
- Permits 180° door opening
with alternate mounting or
corner bracket



For arm only, order as 25-RO x finish
Includes:

63-3396 - Main arm and link assembly
63-2216 - Foot assembly
24-2407 - Screw pack

H - Hold Open Arm

- Forged Steel Arm
11-1/4" (286mm) long
- For reveals up to
2" (51mm)
- Adjustable friction
holder
- Non-handed
- Permits 180° door
opening



For arm only, order as 25-H x finish
Includes:

63-2229 - Main arm and link assembly
61-2303 - Foot assembly
64-2407 - Screw pack

Deep Reveal Arms

OZ - Standard Arm for Deep Reveals

- Forged Steel Arm
11-1/4" (286mm) long
- For reveals from
2-1/8" (54mm)
to 5" (127mm)
- Non-handed
- Permits 140° door opening



For arm only, order as 25-OZ x finish
Includes:

63-2607 - Main arm and link assembly
63-2217 - Foot assembly
64-2407 - Screw pack

HZ - Hold Open Arm for Deep Reveals

- Forged Steel Arm
11-1/4" (286mm) long
- For reveals from
2-1/8" (54mm)
to 5" (127mm)
- Adjustable friction holder
- Non-handed
- Permits 140° door opening



For arm only, order as 25-HZ x finish
Includes:

63-2230 - Main arm and link assembly
61-2303 - Foot assembly
64-2407 - Screw pack

Extra Deep Reveal Arms

OZA - Standard Arm for Extra Deep Reveal

- Forged Steel Arm
11-1/4" (286mm) long
- For reveals
5-1/8" (130mm)
to 8" (203mm)
- Non-handed
- Permits 140° door opening



For arm only, order as 25-OZA x finish
Includes:

63-2607 - Main arm and link assembly
63-2218 - Foot assembly
64-2407 - Screw pack

HZA - Hold Open Arm for Extra Deep Reveal

- Forged Steel Arm
11-1/4" (286mm) long
- For reveals
5-1/8" (130mm)
to 8" (203mm)
- Adjustable friction
holder
- Non-handed
- Permits 140° door opening

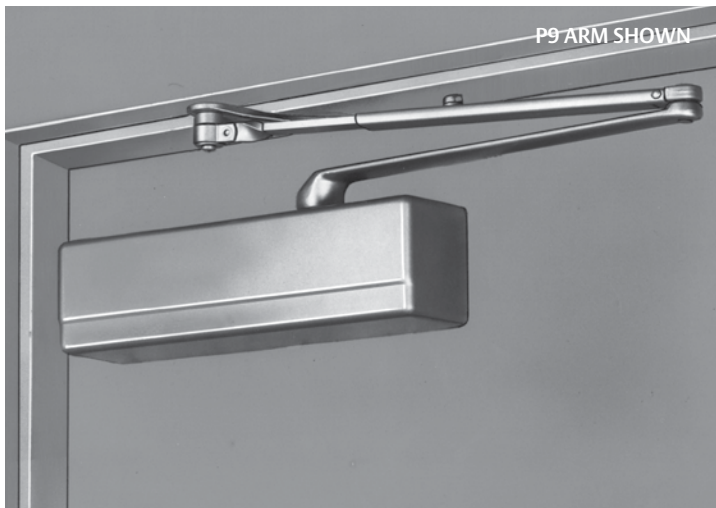


For arm only, order as 25-HZA x finish
Includes:

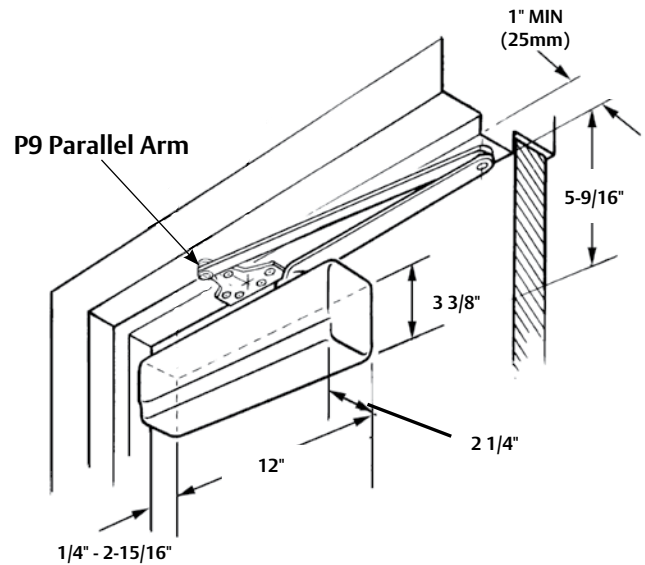
63-2231 - Main arm and link assembly
61-2303 - Foot assembly
64-2407 - Screw pack

Parallel Arm Applications

1431 Series Powerglide®



1431-P9 Regular Parallel Arm Application



Parallel Arm Applications – The 1431 closer is mounted on the push side of the door with the arm under the frame parallel to the face of the door. This application is well suited for narrow face frames and deep reveal applications. The closer arm does not project into the room, and the door can be swung open much farther than in Top Jamb Application.

Heavy Duty Parallel Arms

For use in high traffic and abusive environments

- Friction and positive hold open arms available
- Use friction hold open arms for doors subject to moderate hold open use
- Use positive stop hold open arms for doors subject to frequent hold open use
- Dead stop and compression stop arms available

Non hold-open arms

- Two mounting positions for 120° and 180° maximum door openings

Stop arms

- 6 mounting positions allow stop from 85° – 110°

Positive stop hold open arms

- 6 mountings provide hold open positioning from 85° – 110°

Friction hold open arm

- Two mountings provide adjustable hold open positions from 75° – 180°

Regular Duty Parallel Arms

Available Arms for institutional installations:

- Regular Duty Parallel Arms
- Offset Bracket Arms for use with Auxiliary Holders & Stops
- Parallel flush frame arms
- Flush frame arms for use with Auxiliary Holders & Stops
- Flush frame, friction hold open arms
- Friction hold open arms
- Use friction hold open arms for doors subject to moderate hold open use

Standard Mounting Position

- 120° Maximum door opening
- Holding range of friction hold open arms: 75° – 110°

Alternate Mounting Position

- Maximum door opening: 180°
- Holding range of friction hold open arms: 85° – 170°

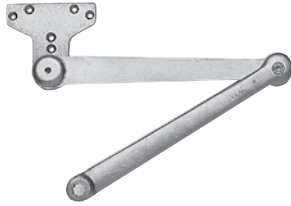
Heavy Duty Parallel Arms

1431 Series Powerglide®

SARGENT®

ASSA ABLOY

P10 - Heavy Duty Parallel Arm



- Forged Steel Arm 11-1/4" (286mm) long
- Non-handed
- Easily installed
- Permits 120° opening at standard mounting
- Permits 180° opening at alternate mounting

For arm only, order as 25-P10 x finish
Includes: 63-0641 - Main arm
63-3727 - Arm and bracket assembly
64-2407 & 63-2392 - Screw packs

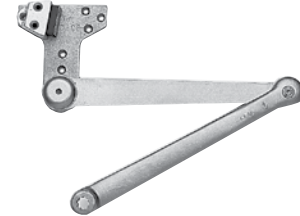
PS - Heavy Duty Parallel Arm with Positive Stop



- Forged Steel Arm 11-1/4" (286mm) long
- Handed arm is field-reversible
- Provides built in stop from 85° – 110°
- Permits 110° opening maximum
- Easily installed
- Permits 85° – 110° door opening

For arm only, order as 25-PS x finish
Includes: 63-0641 - Main arm
63-3837 - Arm and bracket assembly
64-2407 & 63-2392, 63-2396 - Screw packs

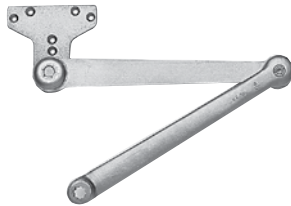
CPS - Heavy Duty Parallel Arm with Compression Stop



- Forged Steel Arm 11-1/4" (286mm) long
- Provides built in compression stop from 85° – 105°
- Permits 105° opening maximum
- Easily installed
- Handed arm is field-reversible
- Dead stop within 3°

For arm only, order as 25-CPS x finish
Includes: 63-0641 - Main arm
63-3830 - Arm and bracket assembly
63-0516 - Bumper holder
63-3493 - Bumper
64-2407 & 63-2398 - Screw packs

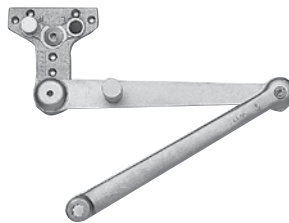
PH10 - Heavy Duty Friction Hold Open Parallel Arm



- Equipped with adjustable friction holder
- Adjustable hold open from 75° – 180°
- Forged steel arm 11-1/4" (286mm) long
- Handed same as door
- Use friction hold open arms for doors subject to moderate hold open use

For arm only, order as 25-PH10 x finish
Includes: 63-0641 - Main arm
63-3839 - Left hand arm and bracket assembly
63-3840 - Right hand arm and bracket assembly
64-2407 & 63-2392 - Screw packs

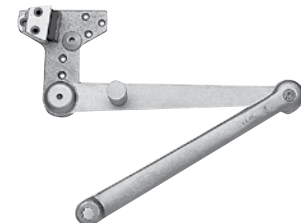
PSH - Heavy Duty Parallel Hold Open Arm with positive Stop



- Provides holder and stop features
- Handed arm is field-reversible
- Easily installed/adjusted
- Permits 85° – 110° door opening

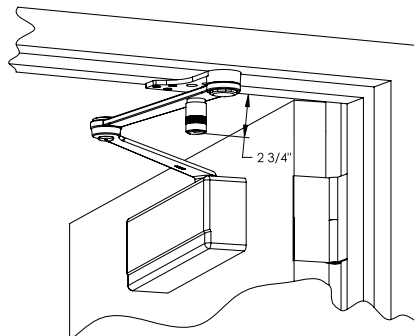
For arm only, order as 25-PSH x finish
Includes: 63-0641 - Main arm
63-3833 - Arm and bracket assembly
64-2407 & 63-2392, 63-2396 - Screw packs

CPSH - Heavy Duty Hold Open Parallel Arm with Compression Stop



- Forged Steel Arm 11-1/4" (286mm) long
- Handed arm is field-reversible
- Provides built in compression stop and holder mechanism from 85° – 105°
- Easily installed/adjusted
- Permits 105° opening maximum
- Dead stop within 3°

For arm only, order as 25-CPSH x finish
Includes: 63-0641 - Main arm
63-3836 - Arm and bracket assembly
63-0516 - Bumper holder
63-3493 - Bumper
64-2407 & 63-3487 - Screw packs



The PSH and CPSH arms project 2 3/4" below the head stop

Positive Stop Hold Open Arms (PSH & CPSH ARMS)

- Use on doors subject to repetitive hold open use
- 6 hold open angle installation
- Hold open function may be disengaged
- Hold open tension is easily adjustable

Regular Duty Parallel Arms

1431 Series Powerglide®

Hold Open Arms

PH4 - Flush frame, Friction Hold Open Arm

- Forged Steel Arm 11-1/4" (286mm) long
- Holds open from 75° – 180°
- Easily adjusted by wrench
- Non-handed
- Use on frames where stop or soffit is too narrow to mount the standard hold open foot bracket



For arm only, order as 25-PH4 x finish
Includes: 63-2229 - Main arm and link assembly
61-2303 - Foot assembly
64-0050 - Foot bracket
64-2407 & 63-2391 - Screw packs

PH9 - Friction Hold Open Arm

- Forged Steel Arm 11-1/4" (286mm) long
- Holds open from 75° – 180°
- Easily adjusted by wrench
- Non-handed



For arm only, order as 25-PH9 x finish
Includes: 63-2229 - Main arm and link assembly
61-2303 - Foot assembly
64-0039 - Foot bracket (125 PH9)
64-2407 & 63-2391 - Screw packs

Offset Bracket Arms

P3 - 1" Offset Bracket for use with Auxiliary Holder/Stop

- Forged Steel Arm 11-1/4" (286mm) long
- For use with auxiliary surface overhead stops and holders
- Foot bracket is offset 1" more than P-9, allowing door closer to be lowered on door face
- Non-handed



For arm only, order as 25-P3 x finish
Includes: 63-2607 - Main arm and link assembly
63-2270 - Foot assembly
64-2407 & 63-2391 - Screw packs

P3A - 1-3/4" Offset Bracket for use with Auxiliary Holder/Stop

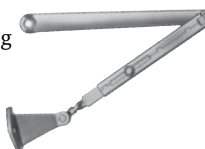
- Forged Steel Arm 11-1/4" (286mm) long
- For use with auxiliary surface overhead stops and door coordinators
- Foot bracket lowers door closer an additional 3/4" below P3 bracket
- Non-handed



For arm only, order as 25-P3A x finish
Includes: 63-2607 - Main arm and link assembly
63-2274 - Foot assembly
64-2407 & 63-2391 - Screw packs

P4 - Parallel Flush frame Arm

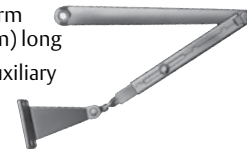
- Forged Steel Arm 11-1/4" (286mm) long
- Foot bracket is attached to frame or transom face
- For use where stop or soffit is too narrow for the standard P9
- Permits 120° opening with standard mounting
- Permits 180° opening with alternate mounting
- Non-handed



For arm only, order as 25-P4 x finish
Includes: 63-2607 - Main arm and link assembly
63-2295 - Foot assembly
64-2407 & 63-2391 - Screw pack

P4A - Flush Frame Arm for use with Auxiliary Holder/Stop

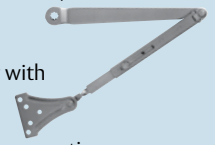
- Forged Steel Arm 11-1/4" (286mm) long
- For use with auxiliary surface overhead stops and holders
- Foot bracket is attached to frame or transom face
- Foot bracket lowers door closer an additional 3/4" below P4 bracket
- Non-handed



For arm only, order as 25-P4A x finish
Includes: 63-2607 - Main arm and link assembly
63-2272 - Foot assembly
64-2407 & 63-2391 - Screw packs

RP9 Regular Arm

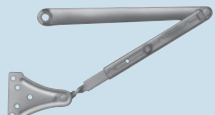
- Cold Formed Steel Arm 11-1/4" (286mm) long
- Arm is not handed
- Permits 120° opening with standard mounting
- Permits 180° opening with alternate mounting



For arm only, order
Includes: 63-3396 - Main arm and link assembly
63-2271 - Foot assembly
64-2407 & 63-2391 - Screw Packs

P9 - Standard Parallel Arm

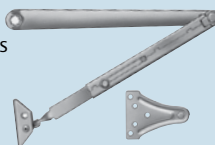
- Forged Steel Arm 11-1/4" (286mm) long
- Non-handed



For arm only, order as 25-P9 x finish
Includes: 63-2607 - Main arm and link assembly
63-3405 - Foot assembly
64-2407 & 63-2391 - Screw packs

UO/RUO Packages

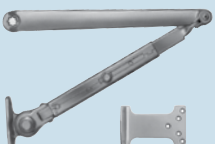
- Universal arm package provides arms and brackets to install closer in standard top jamb or parallel application
Screw packs 64-2407 & 63-2391



125-P9

UH Package

- Universal hold open arm package provides brackets and arms to install closer in top jamb, standard or parallel applications
Screw packs 64-2407 & 63-2391



125-PH9

Accessories for Parallel Applications

1431 Series Powerglide®

Heavy Duty Parallel Accessories

581-2 Blade Stop Spacer Kit



- For frames with 1/2" blade stops
- For use with P10, PH10, PS, PSH, CPS and CPSH arms
- 125-V bracket included
- Packed with 1-1/4" long screws
- Use P/N 64-0157 to order blade stop only

125-V/125-VF Brackets



125-V

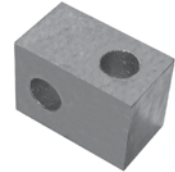
- For use with all heavy duty parallel arms
- Use 125-V for narrow stop and frame conditions
- Use 125-VF for flush door and frame conditions



125-VF

Spacer 63-0191

- 1/2" x 5/8"
- Included standard with PS, PSH, PH10, P-10 CPS and CPSH arm for use with rabbited frames



Regular Duty Parallel Accessories

125-P3 Arm Conversion Unit

- Converts O or P9 arm to P3 Parallel Arm



125-P3A Arm Conversion Unit

- Converts O or P9 Arm to P3A Parallel Arm



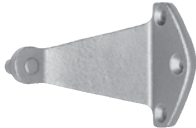
125-PH9 Parallel Arm Foot

- Converts standard hold open (H) arm to PH9 Parallel Hold Open Arm



125-P4 Conversion Unit

- Converts O or P9 Arm to P4A Arm



125-P4A Arm Conversion Unit

- Converts O or P9 arm to P4A Arm



581-1 Blade Stop Spacer Kit



- For frames with 1/2" blade stops
- For use with P9, PH9 and PF9 arms only
- Packed with 1-1/4" long screws

Miscellaneous Accessories

1431 J Cover Plate

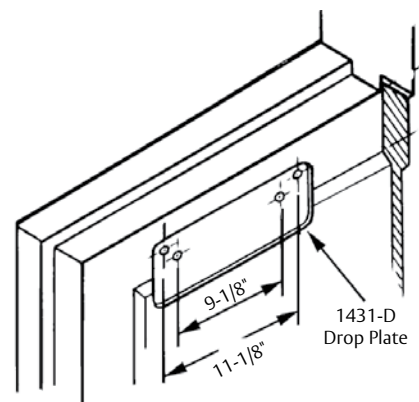


- Can be used to improve appearance when narrow door rail permits closer to be viewed through glass panel

1431 Drop Plate



- Required for parallel arm applications with top rails less than 5-3/4"
- Requires 3" (76mm) minimum top rail
- Available with powder coat or plated finish to match closer
- Non-handed – Plate mounting screws included
- Order as 1431-D x finish



585 Retrofit Kits

The 585 kit allows easy upgrade from existing 1230/1231 Series to the 1431 Series. Kit includes closer, full cover, and fasteners.

- 585-2 Replaces 1230/1231
- 585-4 Replaces 1230 DA/1231 DA

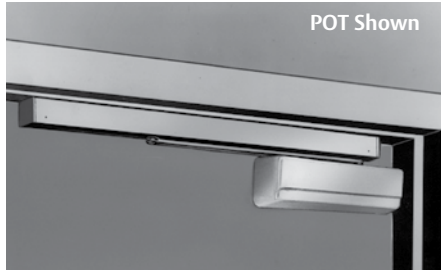
Track Type Applications

1431 Series Powerglide®

Pull Side Mounting (Hinge Side)



Push Side Mounting (Stop Side)



OD Double Egress Arm



- Forged steel arm
- Handed
- Special frame profile required
- Available with Holder Option (HD) and Bumper Option (B)
- 160° maximum door opening
- 120° opening with bumper option
- Range of hold open 85° – 120°
- Used with reveals 3" – 4" (76mm-102mm)

Order as 25-OD x finish for track and arm assembly

- Includes:
- 63-2447 - Track assembly
 - 63-3656 - Left hand arm
 - 63-3657 - Right hand arm

1431 Track Type Closer – Offers the most decorative door closer providing a clean unobstructed appearance without the cost of concealed closers and tracks. With versatile mounting options on either side of the door, the 1431 track type closers are a favorite of interior designers.

OT Track Arm

- Track mounts on frame face "OT"
- Minimum top rail required – 2-3/8"
- Mounting plates cannot be used for this application

Maximum Door Opening

- 160° with standard track
- 120° with optional bumper track
- 180° with ideal conditions for standard track

Hold Open Range

- 85° – 120°

POT Track Arm

- Track mounts on frame stop "POT"
- Minimum top rail required without drop plate: 4-3/4" (121mm)
- With 1431D Drop Plate 3" (76mm)

Maximum Door Opening

- 100° with standard track
- 95° with optional bumper track

Hold Open Range

- 85° – 95°

Minimum Stop Required

- 1-9/16" (40mm) wide

Track

- Extruded aluminum track
- End caps finished to match track

Arm

- Forged steel
- Bearing roller

Bumper (Optional)

- Mounts in track to assist backcheck
- Not designed to be used as a stop
- Auxiliary stop is required
- Available for both regular or hold open tracks

Holder (Optional)

- Mounts within the track (adjustable)

Finishes

- EAB, EB, ED, EN, EP powder coat on all exposed surfaces

Arm & Track	Description/Options
1431—OT	Pull
1431—OTB	Pull with Bumper
1431—HT	Pull with Holder
1431—HTB	Pull with Holder and Bumper
1431—OD	Pull Double egress (Handed) (Non-standard frame required)
1431—ODB	Pull Double egress with Bumper (Handed) (Non-standard frame required)
1431—HD	Pull Double egress with Holder (Handed) (Non-standard frame required)
1431—HDB	Pull Double egress with Holder and Bumper (Handed) (Non-standard frame required)
1431—POT	Push
1431—POTB	Push with Bumper
1431—PHT	Push with Holder
1431—PHTB	Push with Holder and Bumper

Note: Two mounting applications are available

Suggested Architect's Specifications, ADA Compliance and General Information

1431 Series Powerglide®

SARGENT®
ASSA ABLOY

General Information

Special Conditions

The SARGENT Website (www.sargentlock.com) contains templates for all standard applications of SARGENT Door Closers with SARGENT overhead door holders. To insure a satisfactory installation for other holders, it is recommended that complete details be submitted as follows:


- Type, size and make of holder
- Holding position (maximum door opening)
- Submit holder template being used
- Closer application being used
- Size and type of hinge

In the case of an unusual door, frame and/or hinge conditions where regular products do not meet requirements, submit drawings and complete details specifying the degree of door openings required, the type and size of hinge and the max. door opening angle.

Architectural Specifications

1. All closers for both interior and exterior doors shall be the product of one manufacturer and be matched in style.
2. Surface closers shall be adjustable to provide sizes 1 through 6 and comply with ADA.
3. Full rack and pinion construction.
4. Closing speed, latching speed and backcheck shall be controlled by key operated valves.
5. Delayed action feature shall be available and controlled by a separate valve. Delayed action shall be available in addition to, not in lieu of, backcheck.
6. The one piece closer body shall be manufactured of high-performance cast aluminum silicon alloy.
7. An increase of 15% in closing power shall be provided by means of adjustment of the arm leverage at the foot connection. (Standard Arm)
8. All arms shall be finely finished with heavy duty forged steel main arm.
9. Two mounting positions of the closer shall meet all requirements. Standard mountings shall provide 120° door opening and alternate mounting 180° door opening.
10. All closers shall be suitable for standard, corner bracket, top jamb, parallel arm and track type applications when provided with proper brackets and arms.
11. Closer covers shall be of high impact plastic material of flame retardant grade, secured by machine screws.
12. Projection of closer body from door shall not exceed 2-1/4" (57mm) with standard cover.
13. Closers shall be non-handed to meet a variety of door conditions and design requirements.
14. The spindle shaft shall be sealed hydraulically with an "O" ring.
15. Specify desired options such as: Metal Cover, Security Package, (SRI) Special Rust Inhibitor Process, (TB) Through-bolting, (DA) Delayed Action and Architectural Plated Finishes.
16. Closers should have two pressure relief valves (opening and closing cycles).
17. All closers to have a 25 year limited warranty.
18. Closers should comply with UL-10C and UBC 7-2 (1997) Positive Pressure Fire Test.

1431 Designed to Aid the Physically Challenged

 The 1431 door closer is designed to meet the opening force requirements established by the American with Disabilities Act (ADA) limiting the opening force to 5 pounds for interior doors and 8 pounds for exterior doors. The closer should be installed using the alternate mounting given on the templates when used on interior doors.

CAUTION: The entire opening should be reviewed when ADA requirements must be met. Heavy doors add to the opening force while requiring more force to close. Poor quality hinges will add frictional resistance to the door and require more force to open and close. HVAC imbalances can cause a wind load that may also add to the opening forces. In these applications, a manual door closer may be unable to reliably close and latch a door when adjusted to ADA requirements. In these situations, a SARGENT low energy door operator should be used.

Through-bolting and Mortise Nuts

- When through-bolting is ordered, factory will furnish mortise nuts for use with the machine screws furnished with the closer
- Nuts are sized to accommodate 1-3/4" (44mm) standard or 1-3/8" (35mm) thick doors when specified on order
- For 2-1/4" (57mm) thick doors, longer through-bolts will be furnished with mortise nuts
- Through-bolting for 2-1/4" (57mm) thick hollow metal doors require bridge type reinforcement to prevent collapse of top rail when through-bolts are tightened

Special Rust Inhibitor Process (SRI)

The aluminum body of the 1431 provides a high level of corrosion protection in many environments. An additional process (SRI) is available to provide the arms an extra layer of protection for extreme corrosive environments. Specify SRI as an option when ordering.

Door Closer and Overhead Stop/Holder Compatibility Chart

1431 Series Powerglide®

Introduction to SARGENT Overhead Holders and Stops

SARGENT overhead holders/stops are designed to protect the door and hardware from the abuse commonly found in commercial and institutional applications. With **four different series** that include **surface** or **concealed**, **standard** or **heavy duty**, SARGENT has a holder/stop for your application.

Overhead holders/stops are the most practical method of stopping a door as well as eliminating unsightly wall stops and dangerous floor stops. Using an overhead holder/stop distributes abusive forces rather than concentrating them toward the hinge. Some door closers are available with incorporated holders/stops. These work well in most cases, but when subjected to continuous abuse can lead to frame and hinge failure. SARGENT overhead holders/stops are designed and manufactured for years of service and come with a 5 year warranty.

Frequently Used Overhead Stops used with the 1431 Series

- **Standard Door Closer Applications (PULL SIDE MOUNT) Not Shown**

- 590 Series with 1431 Series "O" Arm
- 690 Series with 1431 Series with "O" Arm
- 1530 Series with 1431 Series with "O" Arm
- 1540 Series with 1431 Series with "O" Arm

- **Parallel Arm Door Closer Applications (PUSH SIDE MOUNT)**

- 590 Series with 1431 Series "P3" Arm
- 690 Series with 1431 Series with "P9" Arm
- 690 Series with 1431 Series with "P10" Arm
- 1530 Series with 1431 Series with "P9" Arm
- 1530 Series with 1431 Series with "P10" Arm
- 1540 Series with 1431 Series with "P3" Arm

- **Parallel Arm Door Closer Applications Used with a Flush Frame**

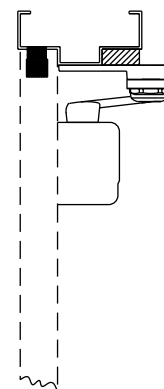
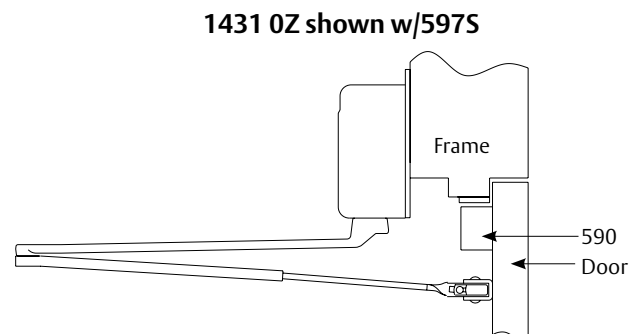
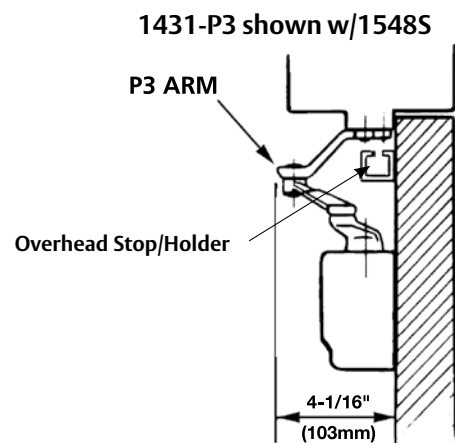
- 590 Series with 1431 Series "P4" Arm
- 690 Series with 1431 Series with "P4" Arm
- 1530 Series with 1431 Series with "P4" Arm
- 1540 Series with 1431 Series with "P4" Arm

- **Top Jamb Applications**

- 590, 690, 1530, 1540 Series with 1431 Series with "O" OZ or OZA Arm

Note: This chart is only a quick reference. Some applications may require the use of a 145 or 195 angle bracket

For applications not shown, refer to the SARGENT Overhead Holders & Stop catalog



How to Order

1431 Series Powerglide®



Packing

All closer assemblies are packaged 4 per carton. On request, door closers will be packed 2 per carton.

How To Order

Options	Series	Closer Arm	Finish	Hand
CPC-DA MC- SRI- TB-	1431	P4H 26 LH	EB ED EN EP EAB 03* 04* 09* 10* 10B* 10BE 10BL* 14* 15* 20D* 26* 26D*	LH RH
31- 36- 74- CPC- DA- MC- SG- SRI- TB-	1431	Standard Page 4 Top Jamb Page 6 Parallel Pages 8 & 9 Track Type Page 11		

* These finishes are automatically provided with a metal cover

How To Order

Accessories	Example
Arm only	Specify 25-, arm required and finish 25-PSH EN
Body only	Specify CB-1431 (Option DA- available) CB-1431
Arm conversion Units	Specify unit and finish 125-P9 EB
Cover Only (Standard)	1431-C x finish 1431-C x EN
Cover Only (Metal)	1431-CMC x finish and hand & arm type 1431-CMC x 26D x LH X P-10
Accessories	Specify accessory and finish 1431-D EB See applicable catalog section

When complete closer assembly is ordered with an accessory, order accessory as a separate item

Finishes

Finishes	ANSI/BHMA	Description
EB	695	Bronze powder coated to match finish 10B
EN	689	Aluminum powder coated
ED	693	Black powder coated to match finish 20D
EAB	696	Brass powder coated
EP	691	Bronze powder coated to match finish 10
03	605	Bright brass, clear coated
04	606	Satin brass, clear coated
09	611	Bright bronze, clear coated
10	612	Satin bronze, clear coated
10B	613	Dark oxidized satin bronze, oil rubbed
10BE	613E	Dark oxidized satin bronze - equivalent
10BL	614	Oxidized satin, bronze, clear coated
14	618	Bright nickel plated, clear coated
15	619	Satin nickel, clear coated
20D	624	Statuary dark bronze, clear coated
26	625	Bright chromium plated
26D	626	Satin chromium plated

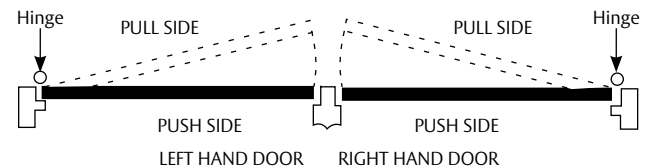
Series	Number per Carton	Approx. wt per Carton
1431	4-Standard (2 upon request)	19 lbs. per 4

Options Available

Specify	Detailed Description
31-	For doors 1-7/8" - 2-1/4" thick, specify door thickness, doors over 2-1/4" thick contact factory
36-	Security Torx Screws supplied for all exposed fasteners
74-	Lead lined cover
CPC-	Clear Powder Coat (available on 26 & 26D)
DA-	Delayed Action
MC-	Handed Metal Cover
SRI-	Special Rust Inhibitor finish for powder coated finishes only (arm)
TB-	Through Bolt (1-3/4" Std) For others, specify 31-TB- & door thickness

Note:

- The MC- option is used when a metal cover is desired on a powder coated finish
- When MC- is added to a plated finish, the MC- option indicates that only the cover is to be plated, the arms will be powder coated to match
- Do not specify the MC option if both the cover and arms are to be plated



Special Rust Inhibitor Process (SRI)

Additional process available for bracket and arms provides an extra layer of protection for extreme corrosive environments. Available with powder coated finishes only, specify SRI- as an option when ordering.

Copyright © 2005-2007, 2009-2015, Sargent Manufacturing Company, an ASSA ABLOY Group company. All rights reserved. Reproduction in whole or in part without the express written permission of Sargent Manufacturing Company is prohibited.

90121M12/03/15

SARGENT Manufacturing Company
100 Sargent Drive
New Haven, CT 06511 USA
800-727-5477
www.sargentlock.com

ASSA ABLOY is the global
leader in door opening solutions,
dedicated to satisfying
end-user needs for security,
safety and convenience