

# 90 series

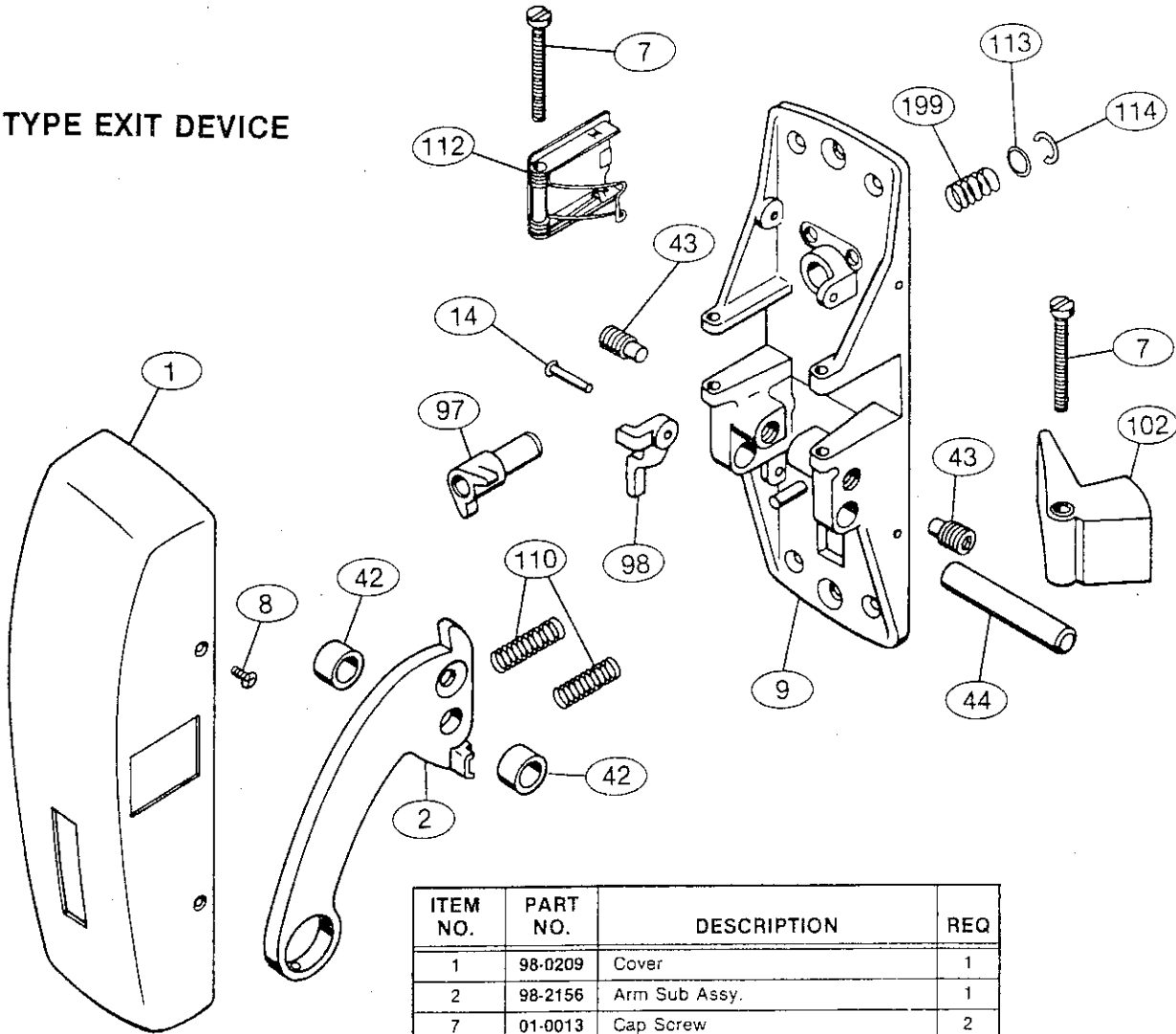
## Center Case

9804

9810

			Full Chassis Assembly	Chassis Assembly Less Cover	Full 12- Prefix Chassis Assembly	12- Prefix Chassis Less Cover
9800	04 Function	LHRB RHRB	98-2510	98-2503	98-2486 98-2487	98-2469 98-2470
9800	10 Function	LHRB RHRB	98-2511	98-2504	98-2488 98-2489	98-2471 98-2472

### RIM TYPE EXIT DEVICE



### 9804 Function Illustrated

ITEM NO.	PART NO.	DESCRIPTION	REQ
1	98-0209	Cover	1
2	98-2156	Arm Sub Assy.	1
7	01-0013	Cap Screw	2
8	97-0052	Cover Screw	4
9	98-0127	Chassis	1
14	98-0011	Latch Bolt Lever Pivot Pin (04)	1
42	97-0031	Main Arm Spacer	2
43	97-0010	Bar Locking Screw	2
44	97-0030	Pivot Pin	1
97	98-0018	O/S Cylinder Hub (04)	1
98	98-0010	Latch Bolt Lever (04)	1
102	98-2157	Latch Bolt Assy.	1
110	98-0111	Main Arm Spring	2
112	98-2159	L.B. Spring & Sub Assy.	1
113	01-0408	Washer (04)	1
114	01-0084	Retaining Ring (04)	1
199	98-0115	Compression Spring (04)	1

### Parts List

Page No. Rev.  
98.1 A