

Instructions for Installing 6500 Bored Locks

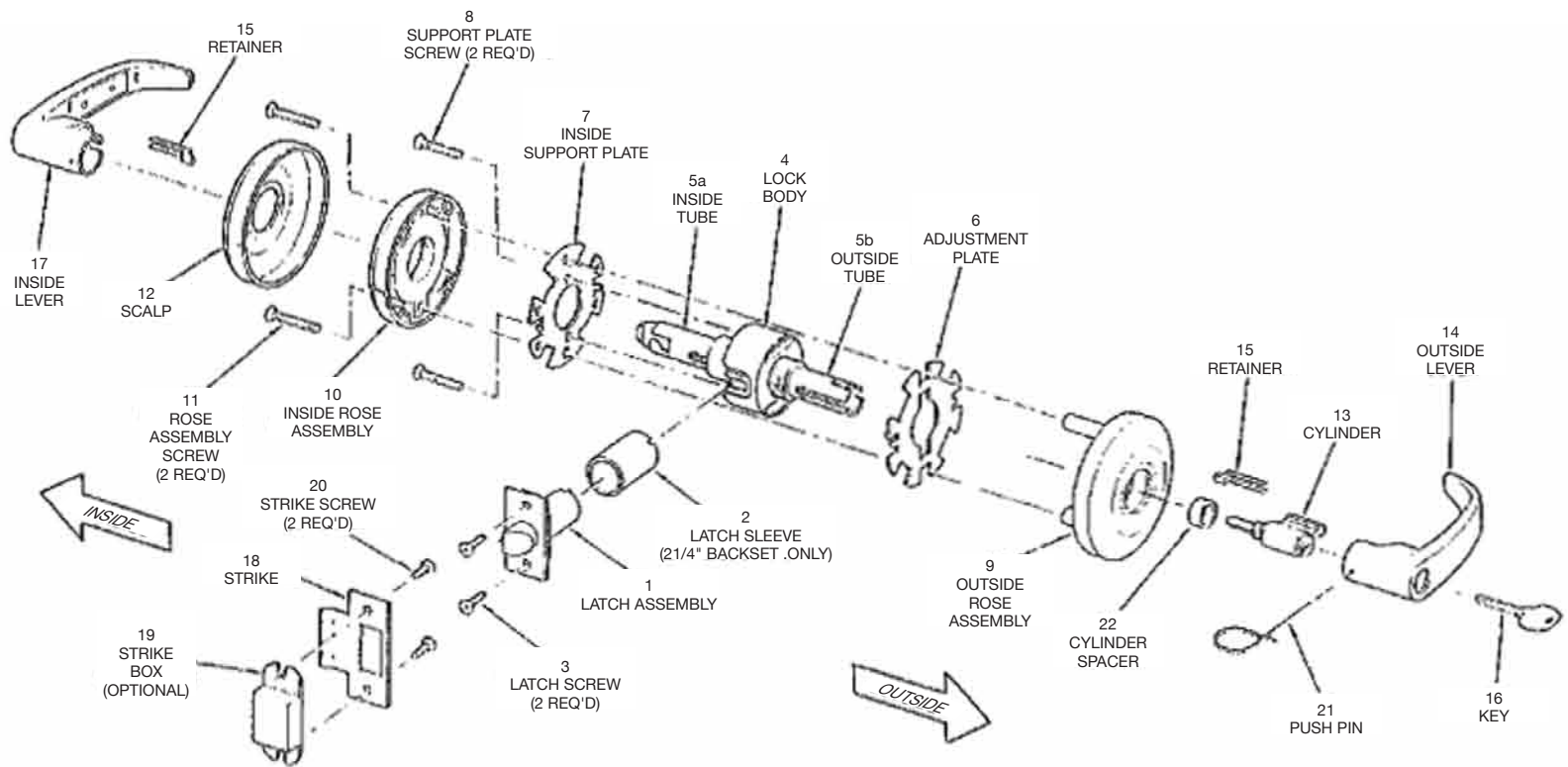
(See reversed Side for Installing 6500 Series Dummy Trim)

SARGENT®

ASSA ABLOY

FOR INSTALLATION ASSISTANCE CALL SARGENT AT 1-800-727-5477 / www.sargentlock.com

ASSA ABLOY, the global leader
in door opening solutions



A. Door Preparation

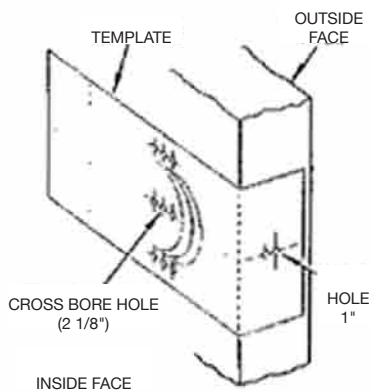
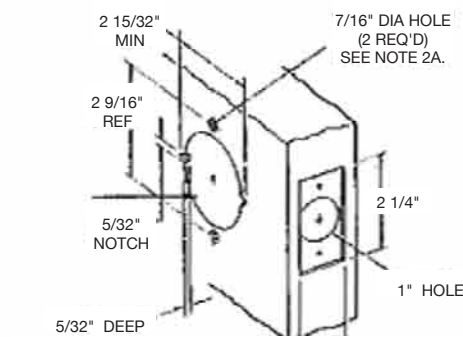


Figure 1

- Place paper template (supplied) on door and mark for holes. Repeat for other side of door. (Follow instructions on paper template).



- Drill the 2-1/8" cross-bore & put in notches. Then, drill the 1" hole.
- 2A. Drill 9/64" pilot holes halfway through door (Repeat for other side of door). Then, using pilot holes, drill (2) 7/16" dia. holes halfway through the door. (Repeat for other side of door.)
- Mortise latch unit from 5/32" into door edge to dimensions shown.

B. Latch Installation

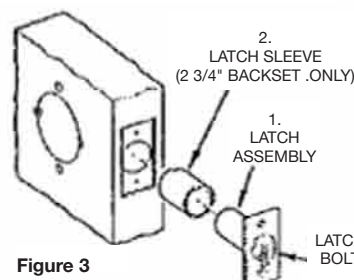


Figure 3

- If backset is 2-3/4", slide latch sleeve (2) onto the latch assy. (1). (as shown).
- Insert Latch Assy. (1) into 1" hole, making certain that latch bolt bevel faces direction of closing door. (as shown)
- DO NOT secure Latch Assy. (1) until engaged with Lockbody (4), as described in Figure 6.

C. Adjustment for door thickness

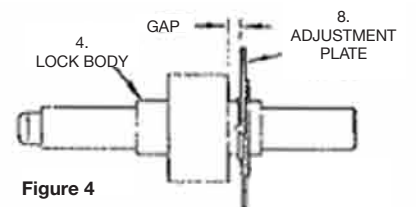


Figure 4

Before inserting Lockbody (4) into the door, adjust for door thickness.

- Screw the Adjustment Plate (6) onto the Lockbody (4).
 - Rotate the Plate until the required gap is obtained.
- 3/16" gap for 1-3/8" door
5/16" gap for 1-3/4" door
Lock will fit in any door from 1-3/8" to 1-3/4" thickness

D. Installation of lockset unit

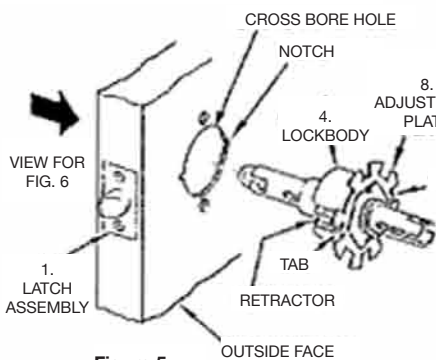


Figure 5

- Position Lockbody (4) (as shown in fig. 5) with retractor facing the Latch Assembly (1), and the tabs of the Adjustment Plate (6) lined up with the notches on the door.
- Slide the Lockbody (4) into the cross-bore hole from the outside position.

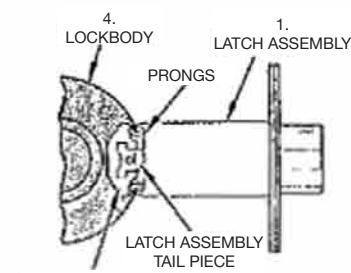


Figure 6

- Lockbody (4) must engage the prongs of the Latch Assy. (1) as shown.
- The retractor of the Lockbody (4) must engage the tailpiece of the latch Assy. (1). **Be sure the door is open when installing lockset unit if a guarded-latch unit is used.**
- Now you can tightly secure the Latch Assy. (1) with Screws (3) supplied.

E. Securing the lockset unit to the door

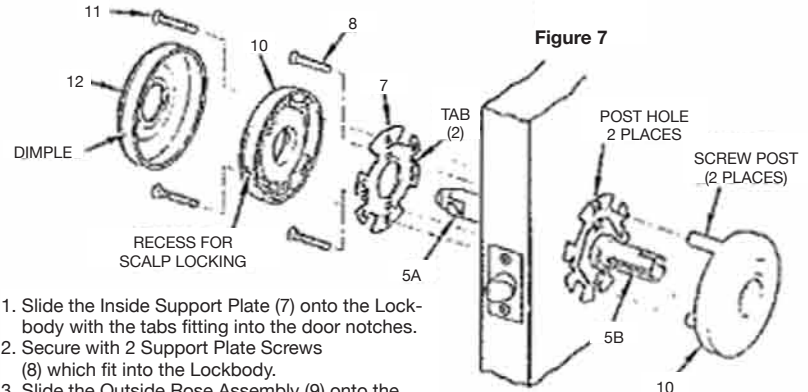


Figure 7

- Slide the Inside Support Plate (7) onto the Lockbody with the tabs fitting into the door notches.
- Secure with 2 Support Plate Screws (8) which fit into the Lockbody.
- Slide the Outside Rose Assembly (9) onto the outside Tube (5B) with the Screw Posts entering the post holes.
- Slide the Inside Rose Assembly (10) onto the Inside Tube (5A). Line up the Inside Rose Assembly holes with the Outside Rose Assembly Screw Posts and secure with the 2 Rose Assembly Screws (11).

- Slip the Scalp (12) onto the Inside Rose Assembly (10) aligning the dimples with recesses in the Rose and turn clockwise to lock.

F. Installation of levers

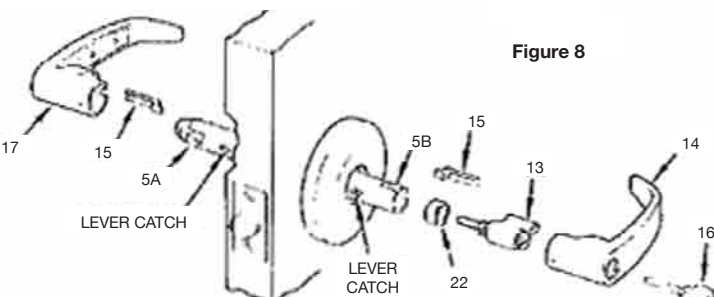


Figure 8

- Slide Cylinder Spacer (22) onto the Cylinder (13). Open end of the Spacer fits over the Cylinder Barrel. (See Figure 8).
- Insert the Cylinder (13) into the Outside Lever (14) and secure with Retainer (15).
- Slip the Outside Lever (14) onto the Outside Tube (5B) as far as possible. Insert the Key (16) and turn approx. 90° clockwise. Push the lever again until the lever catch is engaged, securing the lever. (Lever Catch may need to be depressed, using Push Pin (21).)
- Insert the remaining Retainer (15) into the Inside Lever (17) and slide the Lever onto the Inside Tube (5A). Push the lever until the lever catch is engaged. (Lever Catch may need to be depressed using push pin (21).)

G. Installing Strike

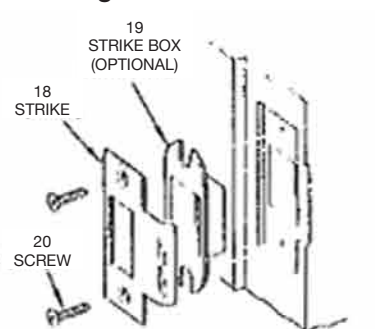


Figure 9

- When Strike Box (19) is not used (optional), recess in door jamb must be deep enough to allow latch bolt to extend to its full free length.

Cylinder Removal

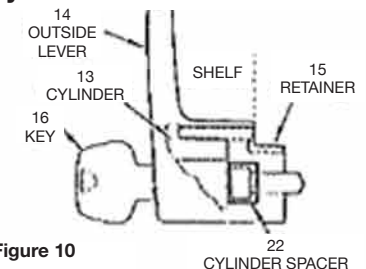


Figure 10

- To remove Outside Lever (14), insert Key (16) and turn approx. 90° clockwise. Insert Push Pin (21) into the hole on lever to depress lever catch. Slide the Lever from the Tube (5).
- Using standard pliers, pull out the retainer (15).
- Remove Key (16), Cylinder (13), and Cylinder Spacer (22) from the Lever.
- When replacing Cylinder (13), secure by pressing Retainer (15) till flush with shelf.

Instructions for Installing 6500 Line

SARGENT®

ASSA ABLOY

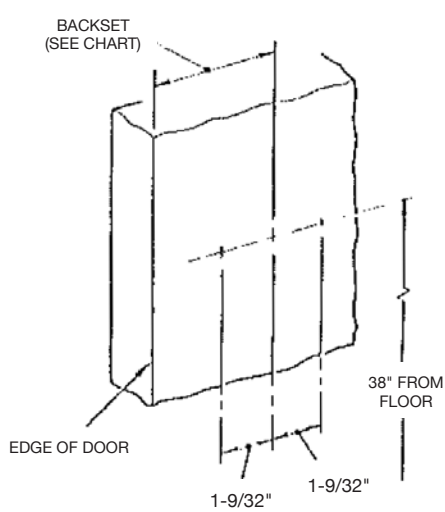
FOR INSTALLATION ASSISTANCE CALL SARGENT AT 1-800-727-5477 / www.sargentlock.com

ASSA ABLOY, the global leader in door opening solutions

SINGLE LEVER PULL

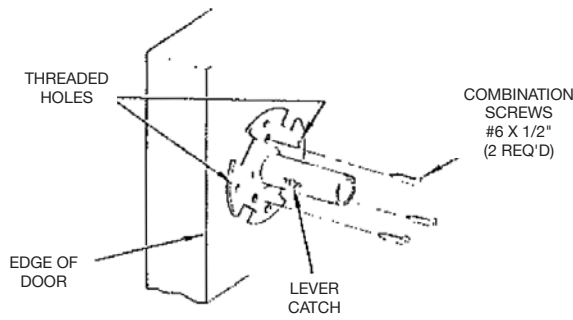
DOUBLE LEVER PULL

A. Door Preparation



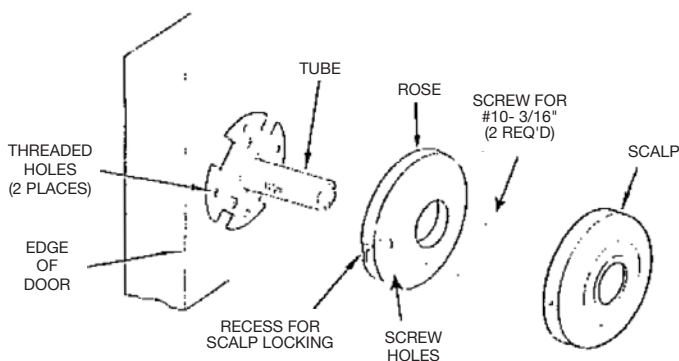
1. Measure backset from door edge and 38" up from the floor and make a mark. Put a square on edge of door and line up with mark. Then draw a horizontal line 1-1/4" long on both sides of mark.
2. Backset 1-9/32" left and right from the mark on the horizontal line mark locations.

B. Attaching lever pull assembly



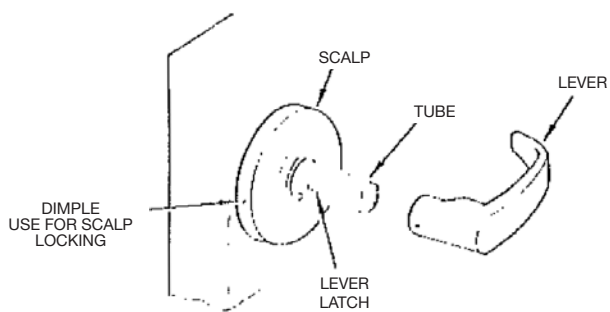
1. Place lever pull assembly onto door so that the two marks 1-9/32" from the center are seen through the two threaded holes. Make sure plate is orientated on door correctly (note: lever catch is always facing towards edge of door). Attach assembly to door with (3) #6 x 1/2" combination screws. Tighten securely.

C. Attaching rose



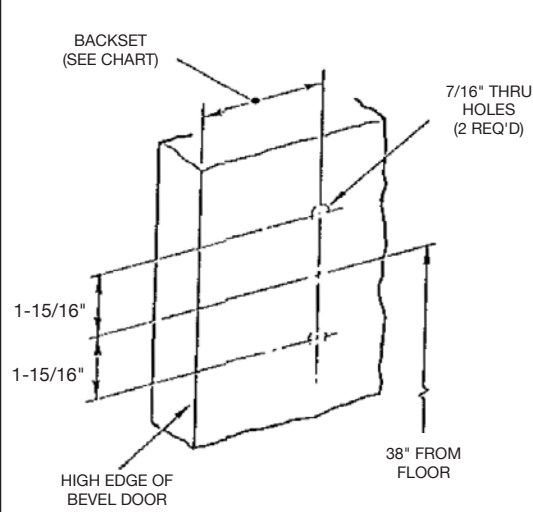
1. Slide rose onto tube making certain screw holes line up with the threaded holes on the lever pull assembly
2. Secure rose with two #10-32 x 3/16" screws

D. Install Lever



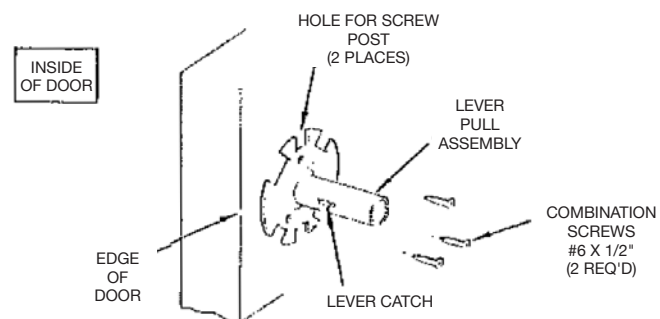
1. Place scalp onto rose aligning dimples with recesses in the rose (see above) and turn clockwise to lock.
2. Slide lever onto tube. Make certain lever catch on tube is engaged in levers.

A. Door Preparation



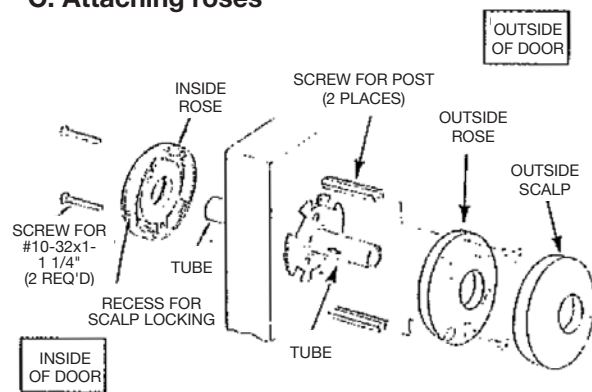
1. Measure backset from door edge and 38" up from the floor and make a mark. Put a square on edge of door and line up with mark. Then draw a horizontal line 1-1/4" long on both sides of mark.
2. Backset 1-5/16": up and down from the mark on the horizontal line mark locations. Drill 1/8" pilot holes halfway through door. Using pilot holes drill two 7/16" holes slightly more than halfway through.
3. Repeat steps 1 and 2 on opposite side of door.

B. Attaching lever pull assembly



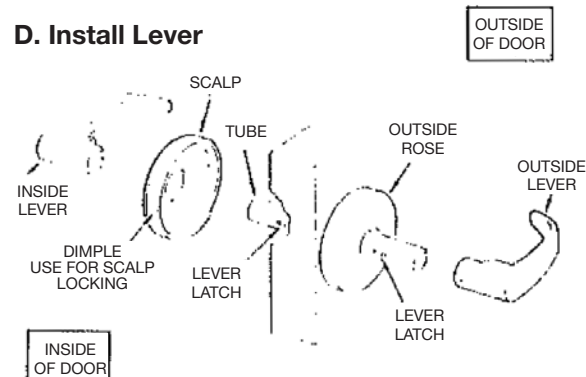
1. Place lever pull assembly onto door as shown above. Make sure plate is orientated on door correctly (note: lever catch is always facing towards edge of door).
2. Attach assembly to door with (2) #6 x 1/2" wood screws, tighten securely. Repeat procedure on opposite side of door.

C. Attaching roses



1. Install (2) screw posts to outside rose using 10-32 x 1/2" screws supplied.
2. Slide outside rose onto tube making certain screw posts line up with the holes in the door.
3. Slide inside rose onto tube and secure both roses with two #10-32 x 1-1/4" screws.

D. Install Lever

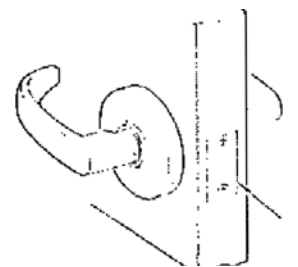


1. Place scalp onto inside rose aligning dimples with recesses in the inside rose (see above) and turn clockwise to lock.
2. Slide inside/outside levers onto tube. Make certain lever catch on tube is engaged in levers.

For 64U94-2 function only

Fits ANSI A115.2

Mount trim in the same manner as 65u94 except omit step "a" attach blank front with (2) #8-32x 3/4" Phillips head screws.



To Install Levers

1. Push lever & cylinder onto tube as far as it will go
2. Turn key counter clockwise as far as it will go

Caution: At this time check to see if key can be removed from cylinder. if not, remove lever and rotate key 180°. Push lever and cylinder onto tube as far as it will go.

3. Turn key 45° clockwise. Push lever onto tube. Make certain lever catch on tube is engaged in lever.

To Remove Levers

1. Turn key counter clockwise as far as it will go.
2. Turn key 45° clockwise.
3. Depress lever catch through hole in lever.
4. Slide lever from the tube.