

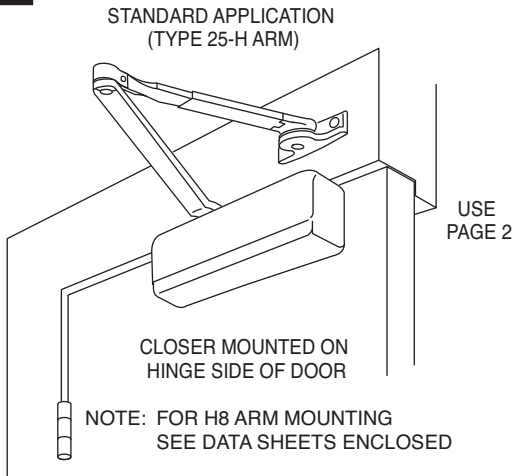
MODEL 351 POWERGLIDE SERIES INSTRUCTIONS FOR INSTALLING SARGENT DOOR CLOSERS WITH "H" HOLDER ARMS

SARGENT
ASSA ABLOY

351 SERIES NON SIZED ADJUSTABLE SIZES 1 THRU 6
CAUTION: FAILURE TO INSTALL OR ADJUST PROPERLY MAY RESULT IN INJURY OR DAMAGE.
FOR ASSISTANCE, CALL SARGENT AT 1-800-727-5477.

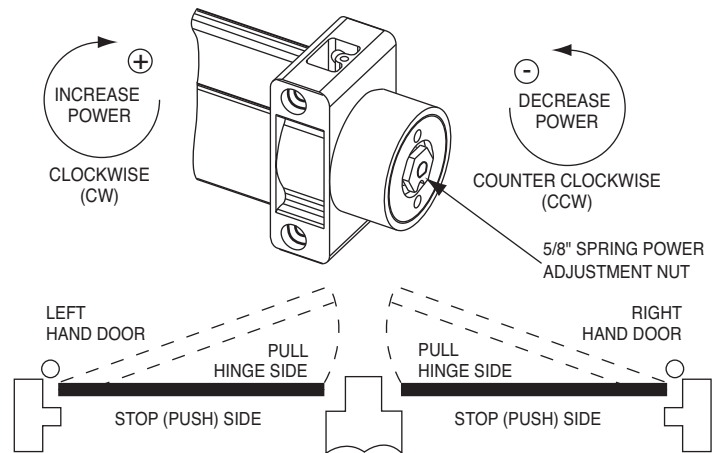
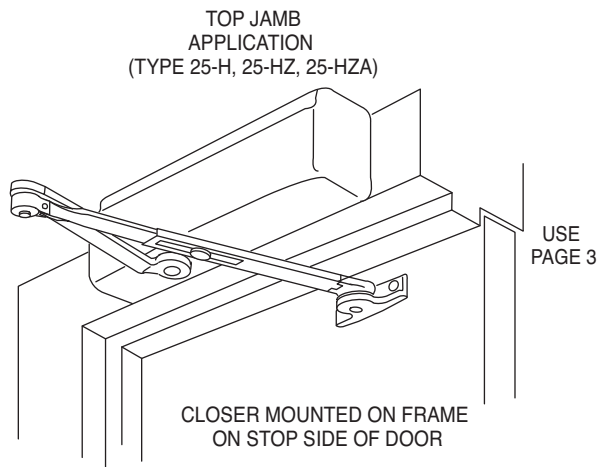


1 STANDARD & TOP JAMB APPLICATIONS

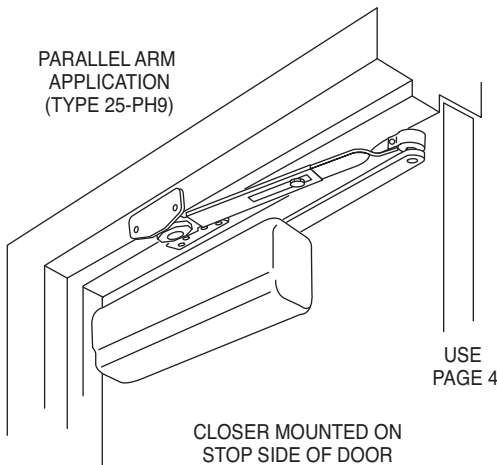


DOOR WIDTH (INCHES)	APPROXIMATE DOOR WEIGHT (POUNDS)	NUMBER OF TURNS OF SPRING POWER ADJUSTING SCREW FROM FACTORY SETTING (USE CHART AS GUIDE ONLY)	
		EXTERIOR DOORS FACTORY SET	INTERIOR DOORS
24	80	FACTORY SET	
30	110		
32	115	1-4 CW	
36	130		1-5 CCW
40	150	4-7 CW	
42	155		FACTORY SET
44	165	7-10 CW	
46	170		1-5 CW
48	180	10-12 CW	
OVER 48		UP TO 18 CW AS REQ.	5 CW AND UP AS REQ.

ADJUST SPRING POWER ACCORDING TO CHART*



PARALLEL APPLICATION ONLY



DOOR WIDTH (INCHES)	APPROXIMATE DOOR WEIGHT (POUNDS)	NUMBER OF TURNS OF SPRING POWER ADJUSTING NUT FROM FACTORY SETTING (USE CHART AS GUIDE ONLY)	
		EXTERIOR DOORS	INTERIOR DOORS
24	80	2-6 CW	
30	110		
32	115	6-8 CW	1-5 CCW
36	130		
40	150		FACTORY SET
42	155	8-11 CW	
44	165		
46	170		1-7 CW
48	180	11-13 CW	
OVER 48		UP TO 18 CW AS REQ.	8 CW AND UP AS REQ.

ADJUST SPRING POWER ACCORDING TO CHART*

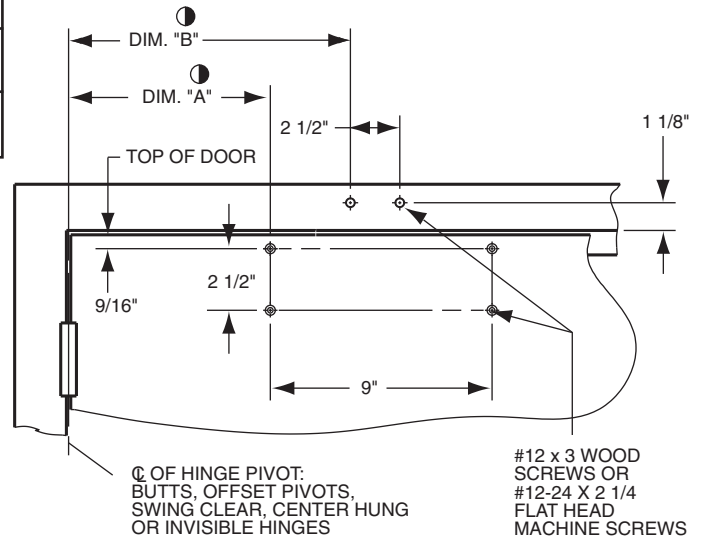
*IF INTERIOR DOORS DO NOT HAVE TO COMPLY WITH ADA REQUIREMENTS, EXTERIOR DOOR SETTINGS ARE RECOMMENDED. WHERE STRONG DRAFTS EXIST, INCREASE SPRING POWER AS NEEDED BY TURNING SPRING ADJUSTMENT SCREW CLOCKWISE. IF NECESSARY, REDUCE SPRING POWER BY TURNING SCREW COUNTERCLOCKWISE.

351 STANDARD APPLICATION INSTRUCTIONS

SARGENT
ASSA ABLOY

IMPORTANT: USE ALTERNATE MOUNTING IF DOOR CAN OPEN BEYOND LIMITS SHOWN FOR STANDARD MOUNTING

ARM TYPE	MOUNTING	MAX. DOOR OPENING	DIM. A	DIM. B
"H" HOLDER ARM	STANDARD	110	9 1/2"	12 3/4"
	ALTERNATE	160	6 1/2"	9 3/4"



IF BUTT, FRAME AND WALL CONDITIONS PERMIT DOOR WILL OPEN 180°

1 RIGHT HAND DOOR SHOWN. LEFT HAND DOOR OPPOSITE.

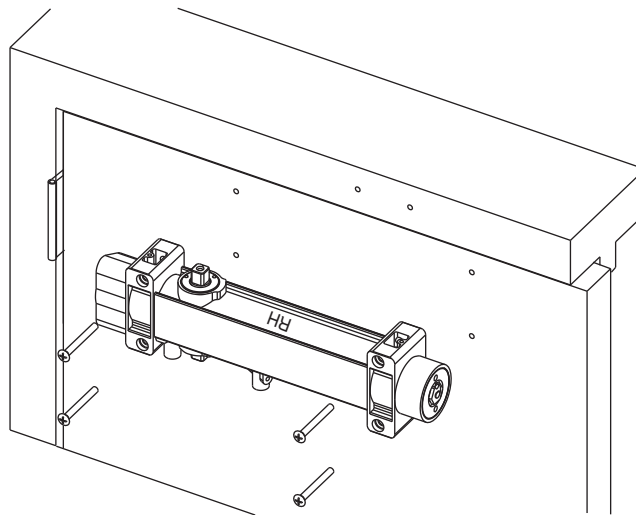
2 THIS DIMENSION IS TAKEN FROM HINGE EDGE OF DOOR FOR INVISIBLE HINGES.

DRILL & TAP AND USE SCREWS PROVIDED OR USE MORTISE NUTS WHEN REQUIRED. SEE PAGE 6 FOR MORTISE NUTS.

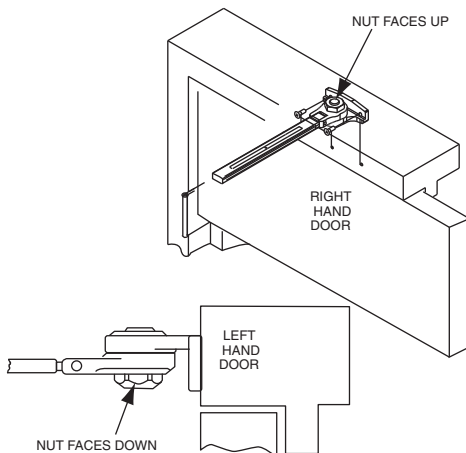
A INSTALL DOOR CLOSER TO DOOR WITH SPRING ADJUSTMENT NUT AWAY FROM HINGE.

NOTE: 351 CLOSER BODIES ARE NON HANDED. IT IS IMPORTANT THAT THE CLOSER BODY BE MARKED WITH "RH" SYMBOL AT TOP, FOR RIGHT HAND DOORS. "LH" SYMBOL AT TOP FOR LEFT HAND DOORS.

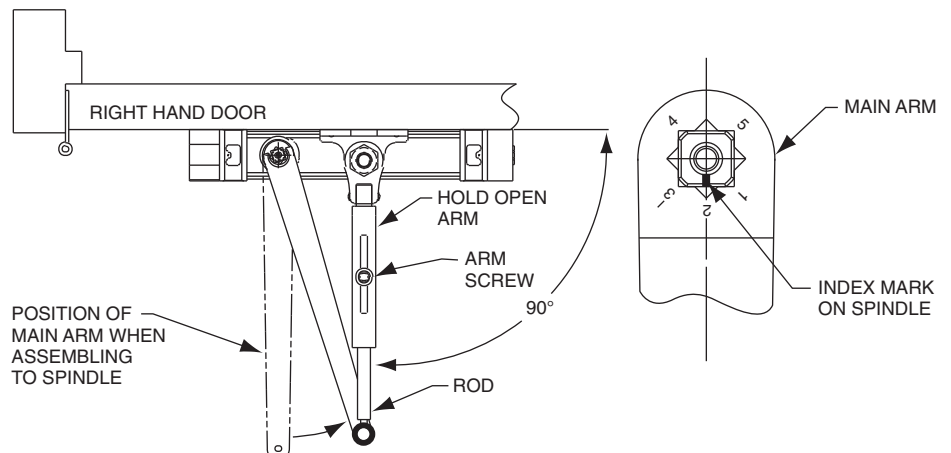
RIGHT HAND DOOR SHOWN



B ATTACH FOOT TO FRAME AS SHOWN WITH NUT UP FOR RH DOOR OR DOWN FOR LH DOOR.



C ATTACH ARM WITH INDEX MARK ON SPINDLE ALIGNED AS SHOWN. SECURE WITH SCREW AND WASHER. INSERT ROD END INTO SWIVEL ARM AND TIGHTEN ARM SCREW AS SHOWN BELOW.



ASSA ABLOY, the global leader in door opening solutions

Copyright © 2007, 2008, Sargent Manufacturing Company, an ASSA ABLOY Group company. All rights reserved. Reproduction in whole or in part without the express written permission of Sargent Manufacturing Company is prohibited.

A7341A

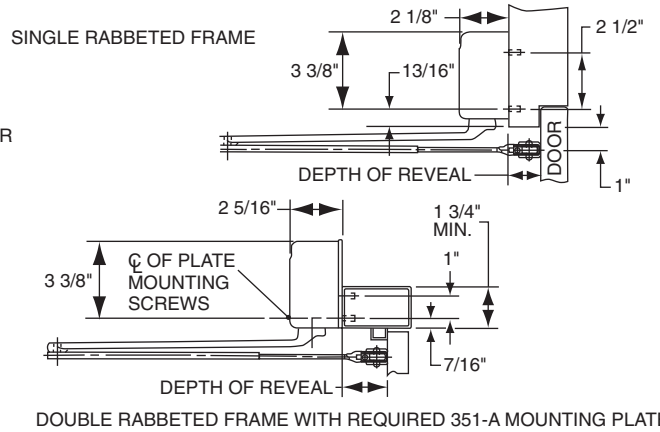
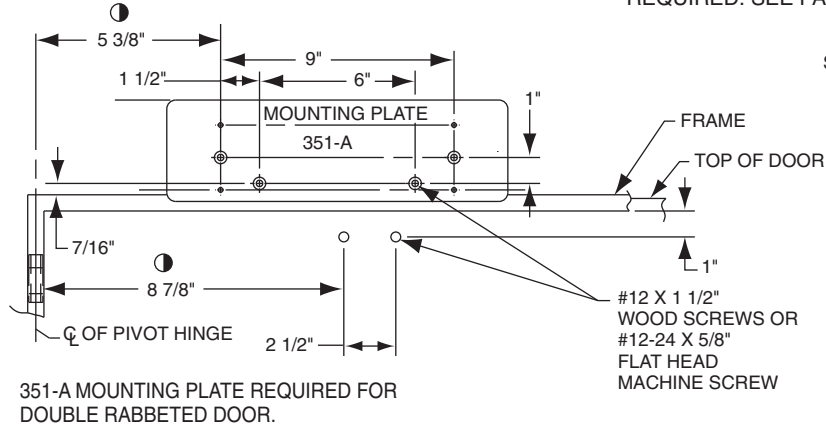
351 TOP JAMB APPLICATION INSTRUCTIONS

SARGENT
ASSA ABLOY

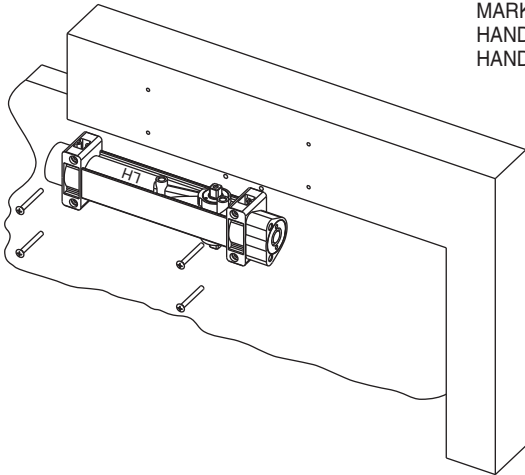
ARM TYPE	REVEAL DEPTH	DOOR OPENING
"H" ARM	0" TO 2"	140
"HZ" ARM	2 1/8" TO 5"	140
"HZA" ARM	5 1/8" TO 8"	140

- ① RIGHT HAND DOOR SHOWN, LEFT HAND DOOR OPPOSITE.
- ③ THIS DIMENSION IS TAKEN FROM HINGE EDGE OF DOOR FOR INVISIBLE HINGES.
- ④ DOOR OPENING TO 180° IS POSSIBLE IF DEPTH OF REVEAL IS NOT GREATER THAN 2"

DRILL & TAP AND USE SCREWS PROVIDED OR USE MORTISE NUTS WHEN REQUIRED. SEE PAGE 6 FOR MORTISE NUTS.



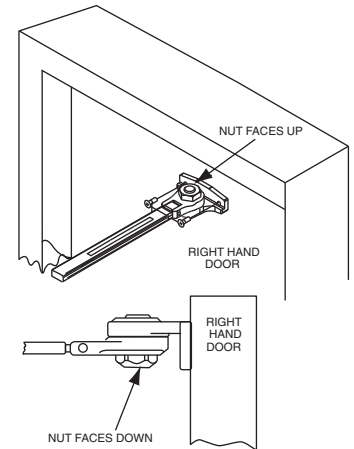
A INSTALL DOOR CLOSER TO FRAME/MOUNTING PLATE WITH SPRING ADJUSTMENT NUT AWAY FROM HINGE.



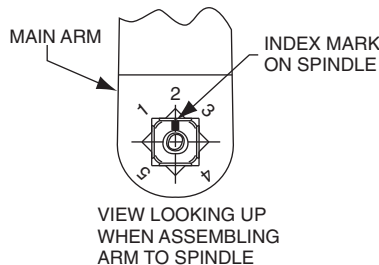
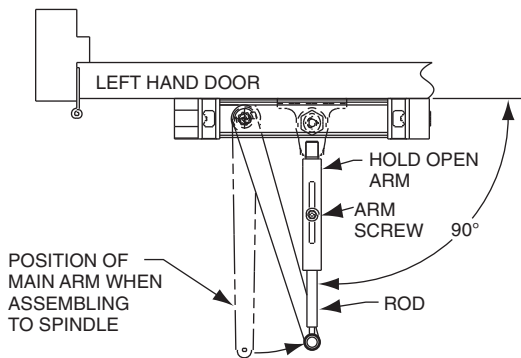
NOTE: 351 CLOSER BODIES ARE NON HANDED. IT IS IMPORTANT THAT THE CLOSER BODY BE MARKED WITH "RH" SYMBOL AT TOP, FOR LEFT HAND DOORS. "LH" SYMBOL AT TOP FOR RIGHT HAND DOORS.

RIGHT HAND DOOR SHOWN

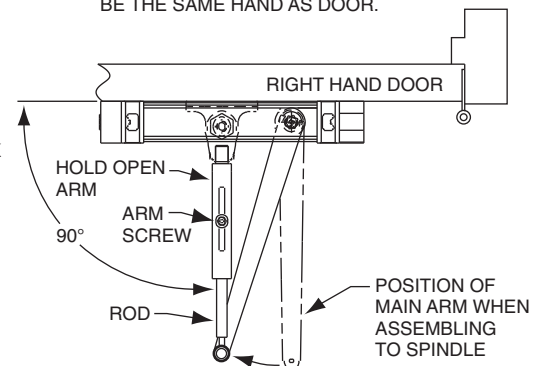
B ATTACH FOOT TO DOOR WITH NUT UP FOR LH, DOWN FOR RH



C INSTALL MAIN ARM TO SPINDLE AND SECURE WITH SCREW AND WASHER AS SHOWN. INSERT ROD END INTO MAIN ARM AND TIGHTEN ARM SCREW.



ARMS ARE HANDED AND MUST BE THE SAME HAND AS DOOR.



ASSA ABLOY, the global leader in door opening solutions

Copyright © 2007, 2008, Sargent Manufacturing Company, an ASSA ABLOY Group company. All rights reserved. Reproduction in whole or in part without the express written permission of Sargent Manufacturing Company is prohibited.

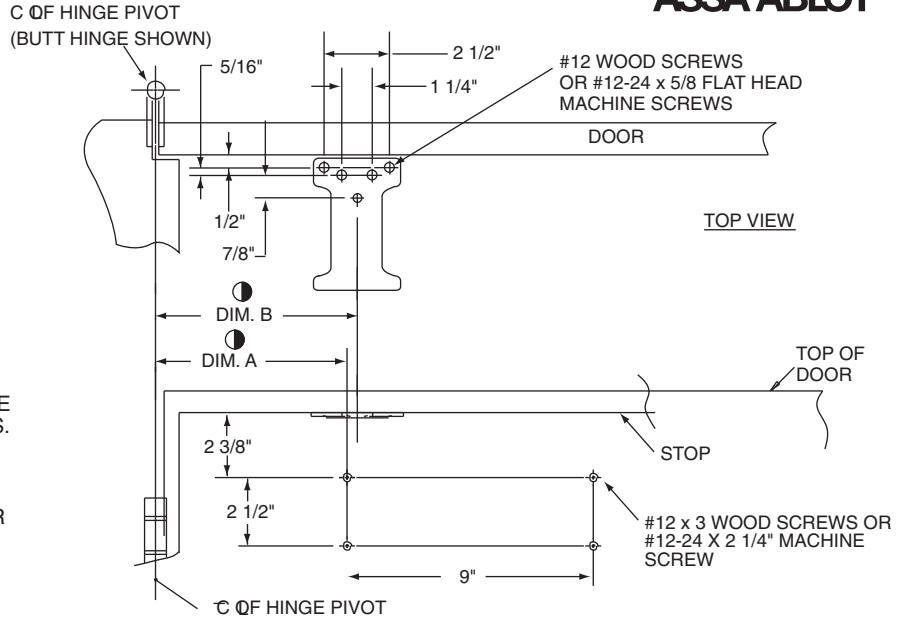
A7341A

351 PARALLEL ARM APPLICATION INSTRUCTIONS

SARGENT

ASSA ABLOY

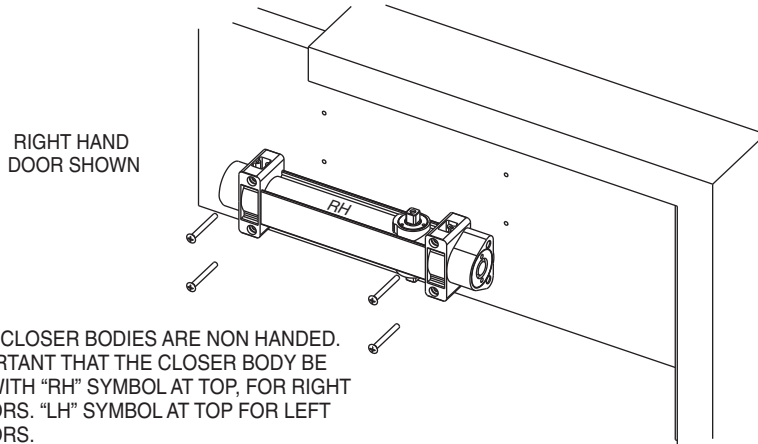
MAX. DOOR OPENING	DIM. A	DIM. B
120	9 7/8"	10 1/4"
180	7"	7 3/8"



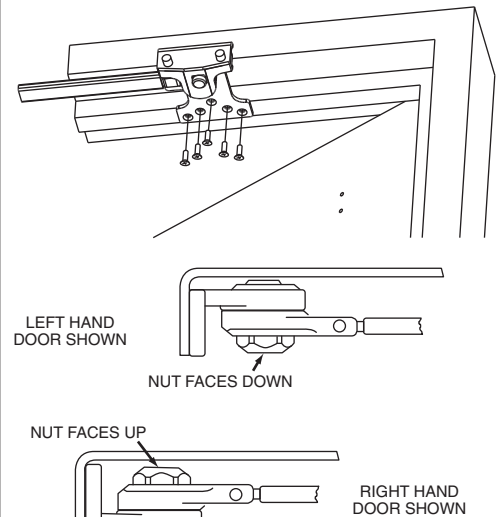
- 1 LEFT HAND DOOR SHOWN. RIGHT HAND DOOR OPPOSITE.
- 2 DO NOT USE THIS MOUNTING FOR "SWING CLEAR" HINGES.
- 3 THIS DIMENSION IS TAKEN FROM HINGE EDGE OF DOOR FOR INVISIBLE HINGES.

DRILL & TAP AND USE SCREWS PROVIDED OR USE MORTISE NUTS WHEN REQUIRED. SEE PAGE 6 FOR MORTISE NUTS.

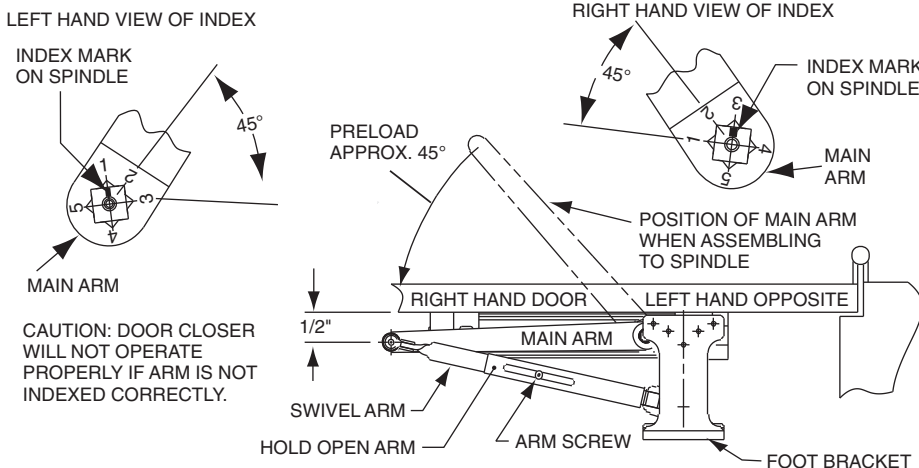
A INSTALL DOOR CLOSER TO DOOR WITH SPRING ADJUSTMENT NUT AWAY FROM HINGE.



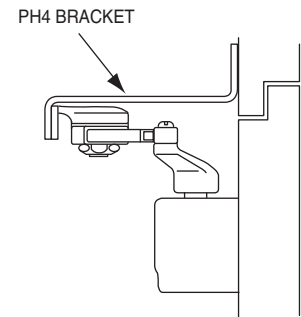
B ATTACH FOOT BRACKET TO FRAME STOP AND MOUNT HOLD OPEN ARM TO BRACKET WITH ADJUSTING NUT FACING DOWN FOR LEFT HAND, FACING UP FOR RIGHT HAND DOOR.



C USING WRENCH ON BOTTOM END OF SPINDLE, ROTATE SPINDLE 45° AND ASSEMBLE MAIN ARM TO CLOSER AS SHOWN, AND THEN INSERT ROD END INTO SWIVEL ARM AND TIGHTEN ARM SCREW POSITIONING ARM 1/2" AWAY FROM DOOR.



OPTIONAL FOOT BRACKET FLUSH TRANSOMS. SEE DATA SHEET ENCLOSED.



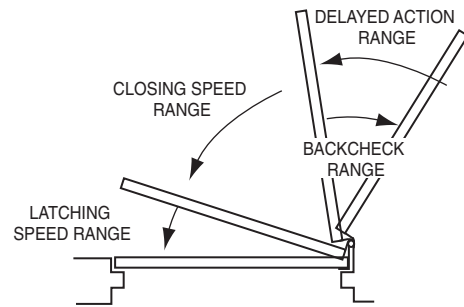
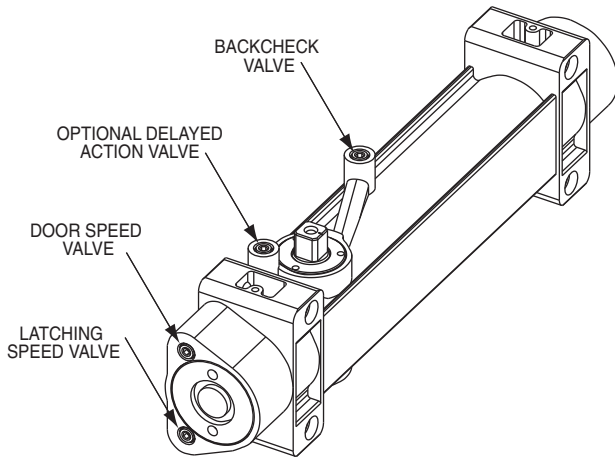
ASSA ABLOY, the global leader in door opening solutions

Copyright © 2007, 2008, Sargent Manufacturing Company, an ASSA ABLOY Group company. All rights reserved. Reproduction in whole or in part without the express written permission of Sargent Manufacturing Company is prohibited.

A7341A

FINAL ADJUSTMENT AND REGULATING PROCEDURE

SARGENT
ASSA ABLOY



A REGULATING DOOR SPEED AND LATCHING SPEED AS NEEDED.

USE HEX SOCKET (1/8" ALLEN) WRENCH AND TURN VALVES CLOCKWISE TO SLOW DOWN OR COUNTER CLOCKWISE TO SPEED UP DOOR MOVEMENT.



B REGULATING BACKCHECK

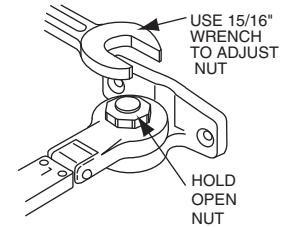
TO REGULATE THE INTENSITY OF BACKCHECK ACTION TURN VALVE CLOCKWISE TO INCREASE OR COUNTER CLOCKWISE TO DECREASE CHECKING.
CAUTION: SET VALVE FOR SLIGHT CUSHIONING EFFECT. IT IS DAMAGING TO THE CLOSER IF THE CHECKING ACTION IS TOO ABRUPT. NEVER USE BACKCHECK AS A DOOR STOP. ALWAYS USE A DOOR STOP TO STOP THE DOOR.

C FOR MODELS WITH OPTIONAL DELAYED ACTION FEATURE

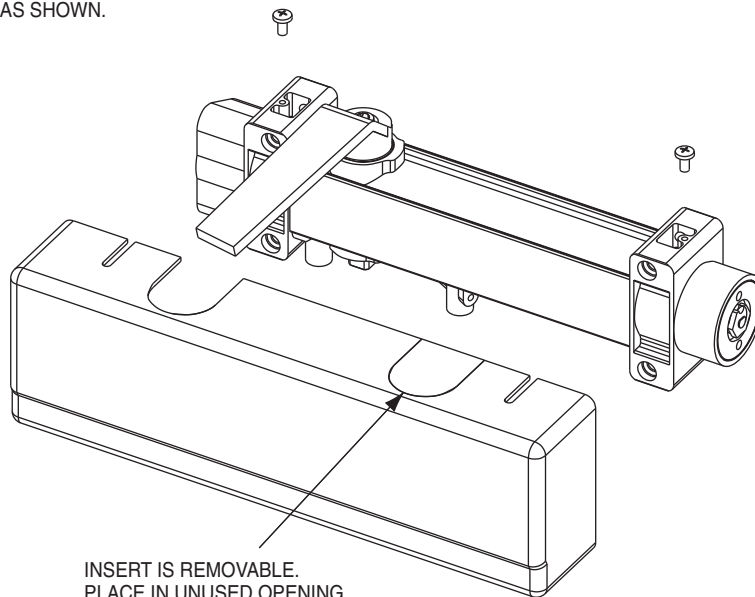
"DELAYED ACTION" PROVIDES SLOW DOOR CLOSING THROUGH DELAYED ACTION RANGE

TURN VALVE CLOCKWISE TO SLOW DOWN OR COUNTER CLOCKWISE TO SPEED UP DOOR MOVEMENT

D ADJUSTMENT OF HOLD OPEN ARM.
SLIGHT TIGHTENING OR LOOSENING OF HOLD OPEN NUT CHANGES HOLDING POSITION OF DOOR.
NOTE: TO PROTECT WALL, TRIM AND CLOSER, USE A DOOR STOP LOCATED 10" BEYOND HOLD OPEN POSITIONS BUT NOT BEYOND THE MAX. DOOR OPENING SHOWN ON INSTRUCTIONS.



E INSTALL COVER WITH TWO SCREWS AS SHOWN.



INSERT IS REMOVABLE.
PLACE IN UNUSED OPENING.

USING MORTISE NUTS WITH SARGENT DOOR CLOSER

SARGENT
ASSA ABLOY

1. SEE INSTRUCTIONS OR DATA SHEET PACKED WITH DOOR CLOSER FOR DIMENSIONS LOCATING THE CLOSER BODY AND FOOT ON DOOR AND FRAME.
2. MORTISE NUT SHOWN IS DESIGNED FOR AN UNREINFORCED METAL DOOR.
3. FOR TOP JAMB AND CORNER BRACKET APPLICATIONS: THE DOOR CLOSER FOOT WILL BE ATTACHED TO THE DOOR IN A MANNER SIMILAR TO THAT SHOWN FOR MOUNTING THE CLOSER BODY.
4. FOR DOORS 2 1/4" THICK: MORTISE NUT SHOWN FOR 1 3/4" THICK DOORS WILL BE FURNISHED ALONG WITH APPROPRIATE LENGTH THRU-BOLTS. DOOR CONSTRUCTION MUST PROVIDE A BRIDGE TYPE REINFORCEMENT TO PREVENT THE DOOR RAIL FROM COLLAPSING WHEN THRU-BOLTS ARE TIGHTENED.

