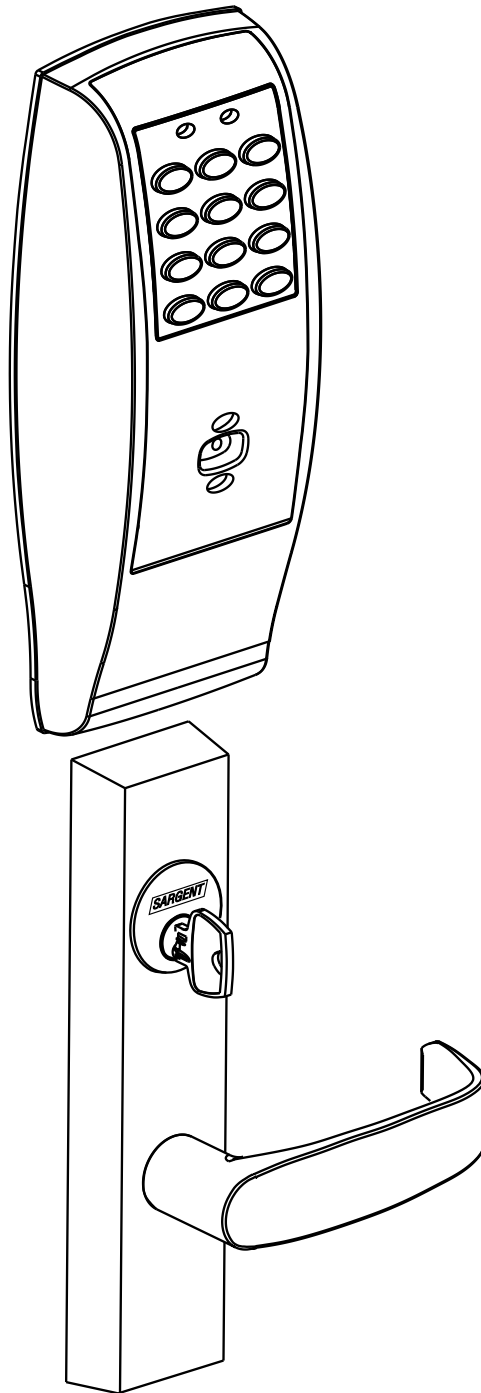


---

# Installation Instructions For Profile Series Exit Device



A7455B

Copyright © 2003, 2008, Sargent Manufacturing Company, an ASSA ABLOY Group company.  
All rights reserved. Reproduction in whole or in part without the express written permission of  
Sargent Manufacturing Company is prohibited.

FOR ASSISTANCE, CONTACT SARGENT AT 800-727-5477 or [www.sargentlock.com](http://www.sargentlock.com)

**SARGENT**<sup>®</sup>  
**ASSA ABLOY**

ASSA ABLOY, the global leader  
in door opening solutions

# Table of Contents

	<b>Page</b>
<b>1</b> Warning and Items Supplied .....	1
<b>2</b> Parts Breakdown .....	2-3
<b>3</b> Rim Installation Instructions .....	4-7
<b>4</b> Mortise Installation Instructions .....	8-11
<b>5</b> Operational Check .....	12
<b>6</b> Basic Programming Instructions .....	12-21
<b>7</b> Chain Programming .....	22
<b>8</b> Transaction Log .....	23
<b>9</b> Supplemental - Individual Door Log Sheet .....	24

# 1 Warning

**Warning:** Changes or modifications to this unit not expressly approved by the party responsible for compliance could void the user's authority to operate the equipment.

This device complies with Part 15 of the FCC Rules. Operation is subject to the following two conditions: (1) this device may not cause harmful interference, and (2) this device must accept any interference received, including interference that may cause undesired operation.

Note: This equipment has been tested and found to comply with the limits for a Class B digital device, pursuant to Part 15 of the FCC Rules. These limits are designed to provide reasonable protection against harmful interference in a residential installation. This equipment generates, uses and can radiate radio frequency energy and if not installed and used in accordance with the instructions, may cause harmful interference to radio communications. However, there is no guarantee that the interference will not occur in a particular installation. If this equipment does cause harmful interference to radio or television reception, which can be determined by turning the equipment off and on, the user is encouraged to try to correct the interference by one or more of the following measures:

- Reorient or relocate the receiving antenna
- Increase the separation between the equipment and receiver
- Connect the equipment into an outlet on a circuit different from that to which the receiver is connected
- Consult the dealer or an experienced TV technician for help

This Class B digital apparatus complies with Canadian ICES-003.

Cet appareil numérique de la classe B est conforme à la norme NMB-003 du Canada.

# Warning

To comply with “Fire Listed” doors, the batteries must be replaced with alkaline batteries only.

## Items Supplied with Exit Device

### Items included in your 8877 and 8977 Series Exit Device carton:

- Outside Escutcheon with Keypad
- Outside motorized Trim Assembly
- Exit Device
- Mortise cylinder for 8977
- Rim cylinder for 8877
- Inside Escutcheon with Circuit Board and Battery Pack
- 6 “A” alkaline batteries
- Screw Pack

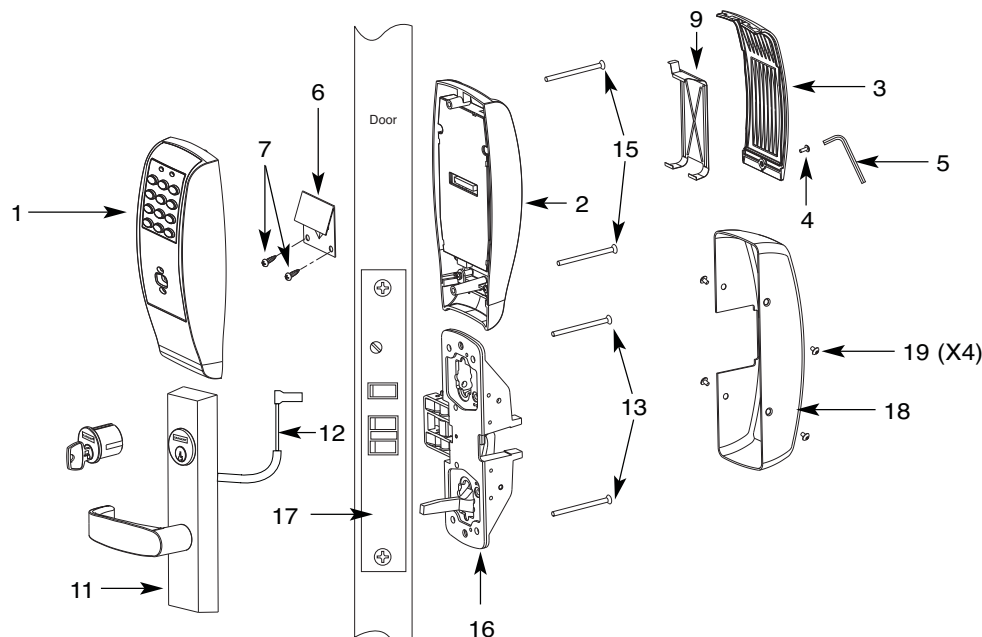
### Items included in your 8878 and 8978 Series Exit Device Carton:

- Outside Escutcheon with Keypad
- Outside Motorized Trim Assembly
- Exit Device
- Inside Escutcheon with Circuit Board and Battery Pack
- 6 “A” alkaline batteries
- Screw Pack

## 2 Parts Breakdown

# 8977/8978 x ET x Lever Design Profile Series Mortise Exit Device

ITEM	PART NUMBER	DESCRIPTION	NO. REQ'D
1	52-2475	Outside Escutcheon Assembly (PA)	1
1	52-2474	Outside Escutcheon Assembly (LK, LU, PK)	1
	52-2432	Key Pad and Proximity Assembly (LK, LU, PK)	1
	52-2431	Proximity Assembly (PA)	1
	68-1397	Outside Escutcheon Housing Only	1
	52-0176	Outside Escutcheon End Cap Only	1
2	52-2460	Inside Escutcheon Assembly with 100 User Controller (LK)	1
2	52-2461	Inside Escutcheon Assembly with 500 User Controller (LU)	1
2	52-2462	Inside Escutcheon Assembly with Prox / Key Pad Controller (PA/PK)	1
	68-1396	Inside Escutcheon Housing Only	1
	52-0175	Inside Escutcheon End Cap Only	1
	52-2441	(LK) Controller Assembly	1
	52-2448	(LU) Controller Assembly	1
	52-2455	(PK/PA) Controller Assembly	1
	01-0803	Battery Alkaline ("AA" Cell)	6
3	52-0170	Battery Cover	1
4	01-1212	Security Screw	1
5	01-0297	Security Tool	1
6	52-0033	Fire Stop Plate	1
7	01-1500	Fire Stop Screws #8 x 1/2" Type "AB" Phillips Pan Head Self Tap	2
9	52-0253	Battery Keeper	1
10	52-2425	Screw Pack (Includes item numbers 5, 6, 7, 15)	1
11	Consult Factory	Motorized ET Lever Trim	1
12	52-2556	Motor and Harness Assembly	1
13	01-4451	ET Thru-Bolts	2
15	77-0685	Escutcheon Thru-Bolts	2
16	68-2172	Center Case Assembly LHRB (Standard and 12-)	1
16	68-2173	Center Case Assembly RHRB (Standard and 12-)	1
17	99-2401	Mortise Lock LHRB	1
17	99-2402	Mortise Lock RHRB	1
18	68-0407	Chassis Cover	1
19	97-0052	Chassis Cover Screws	4



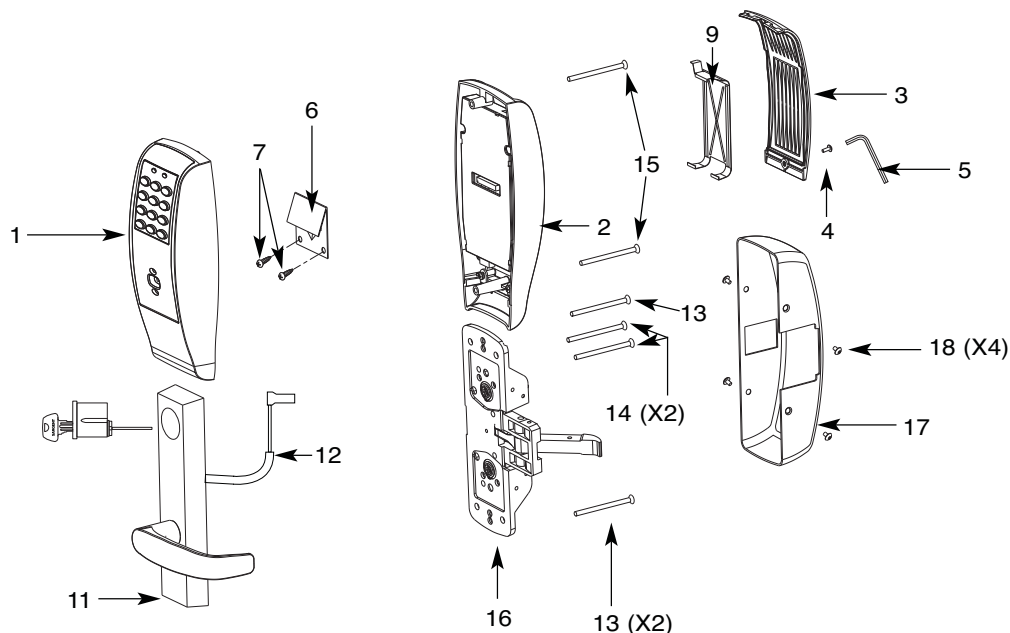
Copyright © 2003, 2008, Sargent Manufacturing Company, an ASSA ABLOY Group company. All rights reserved. Reproduction in whole or in part without the express written permission of Sargent Manufacturing Company is prohibited.

## 2 Parts Breakdown (Continued)

### 8877/8878 x ET x Lever Design

### Profile Series Rim Exit Device

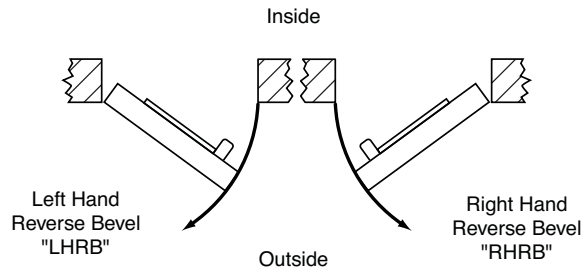
ITEM	PART NUMBER	DESCRIPTION	NO. REQ'D
1	52-2475	Outside Escutcheon Assembly (PA)	1
1	52-2474	Outside Escutcheon Assembly (LK, LU, PK)	1
	52-2432	Key Pad and Proximity Assembly (LK, LU, PK)	1
	52-2431	Proximity Assembly (PA)	1
	68-1397	Outside Escutcheon Housing Only	1
	52-0176	Outside Escutcheon End Cap	1
2	52-2460	Inside Escutcheon Assembly with 100 User Controller (LK)	1
2	52-2461	Inside Escutcheon Assembly with 500 User Controller (LU)	1
2	52-2462	Inside Escutcheon Assembly with Prox / Key Pad Controller (PA/PK)	1
	68-1396	Inside Escutcheon Housing Only	1
	52-0175	Inside Escutcheon End Cap Only	1
	52-2441	(LK) Controller Assembly	1
	52-2448	(LU) Controller Assembly	1
	52-2455	(PA/PK) Controller Assembly	1
3	52-0170	Battery Cover	1
4	01-1212	Security Screw	1
5	01-0297	Security Tool	1
6	52-0033	Fire Stop Plate	1
7	01-1500	Fire Stop Screws #8 x 1/2" Type "AB" Phillips Pan Head Self Tap	2
	01-0803	Battery Alkaline ("AA" Cell)	6
9	52-0253	Battery Keeper	1
10	52-2425	Screw Pack (Includes item numbers 5, 6, 7, 15)	1
11	Consult Factory	Motorized ET Lever Trim	1
12	52-2556	Motor and Harness Assembly	1
13	01-4451	ET Thru-Bolts	2
14	13-0074	Cylinder Retaining Screws	2
15	77-0685	Escutcheon Thru-Bolts	2
16	68-4261	Center Case Assembly LHRB & RHRB (Std.)	1
	68-4263	Center Case Assembly LHRB (12-) & RHRB (12-)	1
17	68-0406	Chassis Cover	1
18	97-0052	Chassis Cover Screws	4



### 3 Rim Installation Instructions for Rim Type Exit Device 8877/8878

**NOTE: BEFORE STARTING**

- This device is non handed
- Door should be fitted and hung
- Verify box label for size of exit device, function and hand
- Install mullion in frame, if used



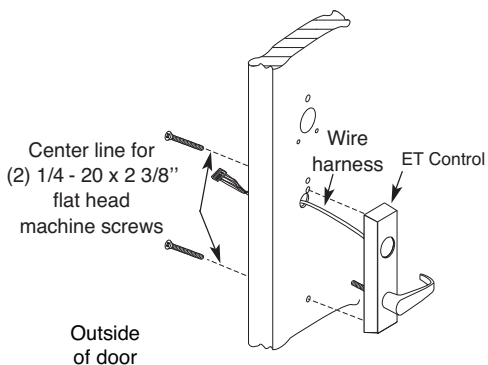
#### Step #1 – Exit Hardware & Door Prep

Prep Door according to Exit installation instructions A6770

#### Step #2 – Installation of Outside and Inside Trim

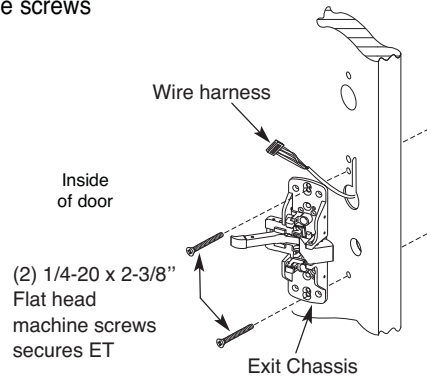
**1. Outside Trim**

- Route harness through under cut of cylinder hole and out to other side of door
- Mount “ET” control onto door



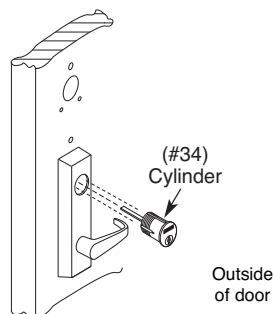
**2. Inside Trim**

- Route “ET” harness along track cutout for wood doors and access hole for metal doors
- Mount exit chassis carefully. **DO NOT PINCH HARNESS WIRES**
- “ET” spindle will engage into the hub of exit device chassis
- Secure chassis with (2) 1/4-20 x 2 3/8" flat head machine screws



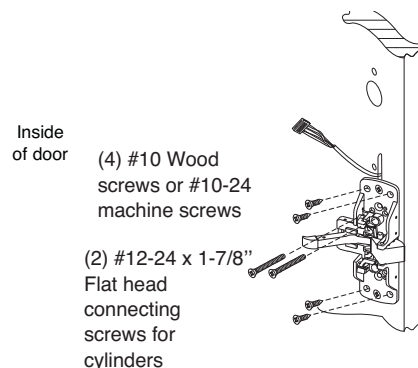
**3. Cylinder Installation**

- Insert cylinder into “ET” control
- Mate cylinder tailpiece into hub of exit device chassis
- Make sure “ET” harness is clear of cylinder and cylinder tailpiece



**4. Securing Cylinder**

- Secure cylinder to exit chassis using (2) #12-24 x 1 7/8" connecting screws
- Fasten exit chassis to door using (4) #10 wood screws or #10-24 machine screws

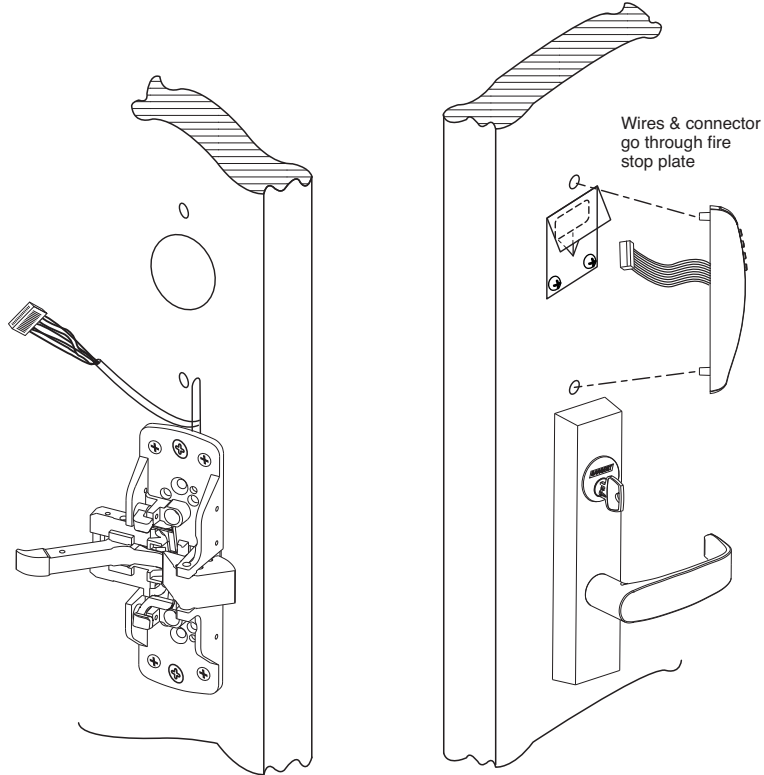




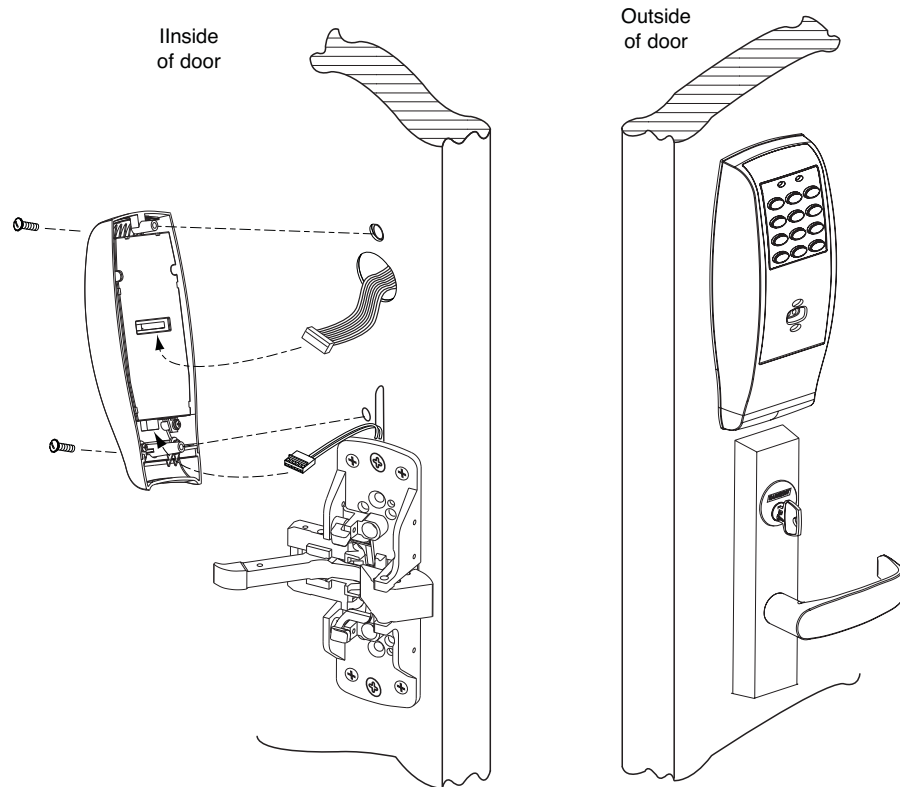
# Rim Installation Instructions (Continued)

## Step #4 – Installation of Outside and Inside Escutcheon

1. Insert wires and connector from the outside of the door, through the fire stop plate (if required)
- For non-12-exit devices, feed wire harness from keypad assembly through hole in door



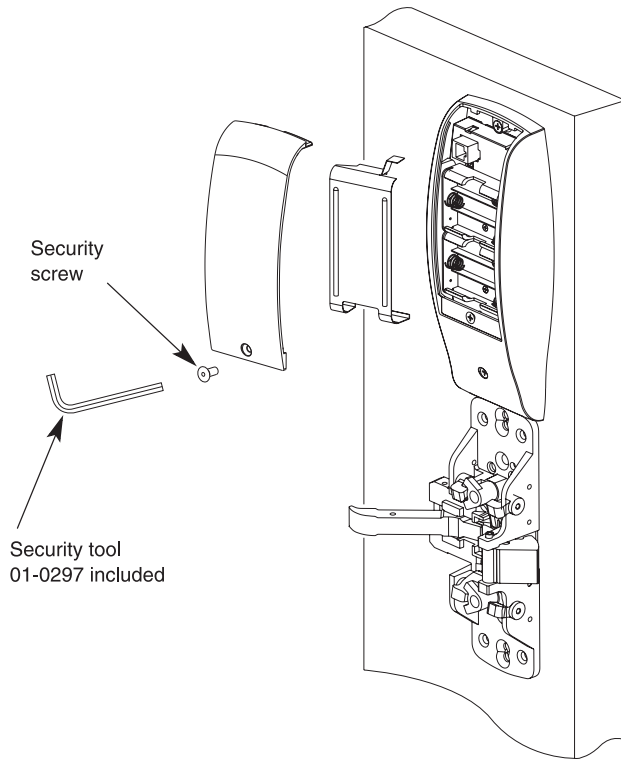
- Straighten keypad escutcheon and tighten the #8-32 x 1-1/4" pan head screw



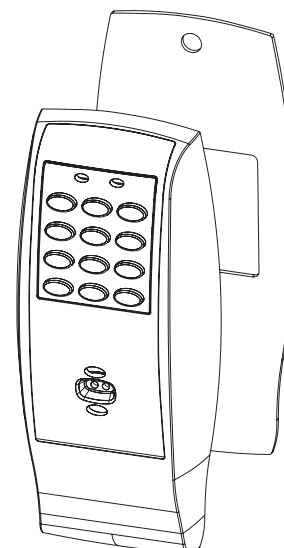
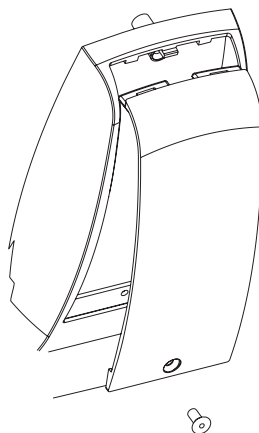
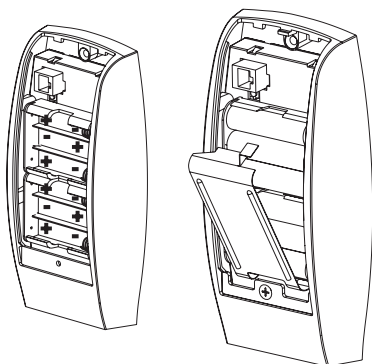


## Rim Installation Instructions (Continued)

### Step #5 Battery Installation/Optional Gasket



- Place (6) “AA” batteries into the compartment
- **Observe polarity when installing “AA” batteries**
- Install battery keeper clip by inserting tabs into bottom slots first
- To remove keeper, pull on top tab
- Attach battery cover to inside escutcheon making sure to line up tabs with retaining slots in battery cover
- Secure with security screw
- Optional (68-1400) gasket intended for exterior applications only



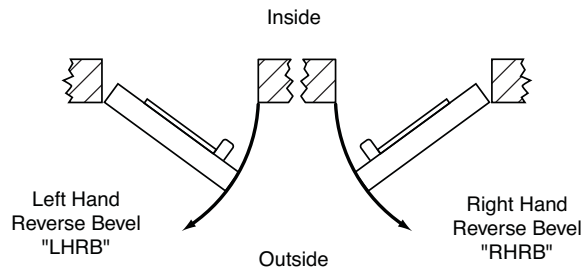
### Step #6 Rail Assembly

Attach rail assembly according to exit installation instructions A6770

## 4 Installation Instructions for Mortise Type Exit Device 8977/8978

**NOTE: BEFORE STARTING**

- Check hand of door - this device is not reversible
- Door should be fitted and hung
- Verify box label for size of exit device, function and hand



### Step #1 - Exit Hardware & Door Prep

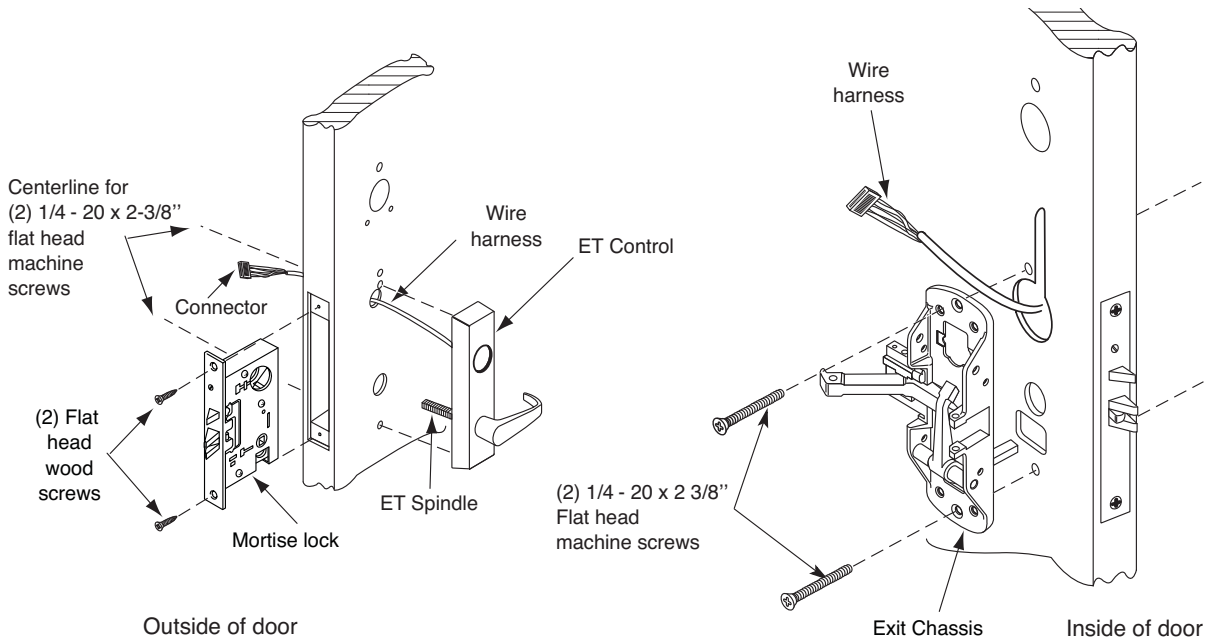
Prep door according to Exit installation instructions A6705

# Mortise Installation Instructions (Continued)

## Step #2 – Install Outside & Inside Trim

### 1. Exit Chassis:

- Route “ET” harness along track cutout for wood doors and access hole for metal doors.
- Mount exit chassis carefully. **Do not pinch harness wires**
- Position exit chassis on door so that lever arm is under rear section of mortise lock lever. Then lift up until latchbolt is completely retracted.
- Fasten exit chassis to door using (4) #10 wood screws or #10-24 machine screws

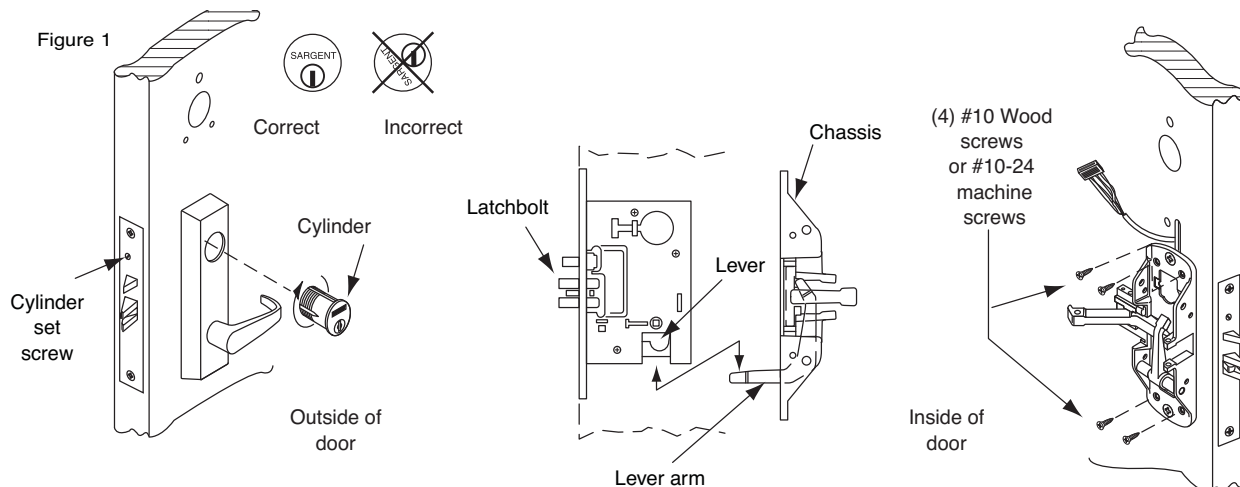


### 2. Outside Trim

- Route harness through wire cutout and out to other side of door
- Place “ET” control onto door
- Insert (2) 1/4-20 x 2-3/8 Flat head screws
- “ET” spindle will engage into mortise lock

### 3. Cylinder Installation

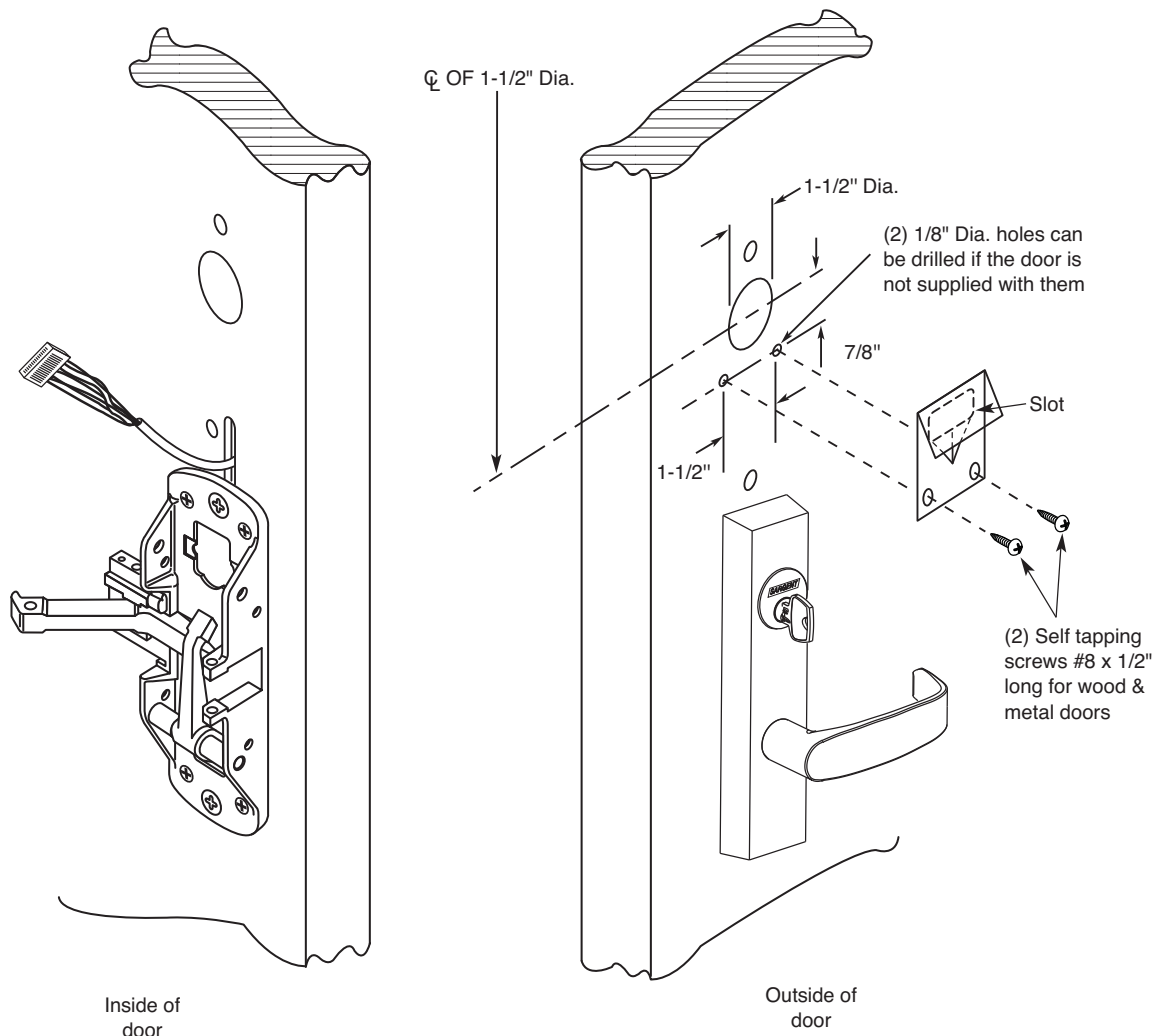
- Insert cylinder into “ET” control. Back out the cylinder set screw in mortise lock
- Thread cylinder clockwise into mortise lock until the cylinder sits flush and correct in “ET” control (see figure 1)
- Tighten cylinder set screw



# Mortise Installation Instructions (Continued)

## Step #3 – Apply Fire Stop Plate (Required for 12-)

1. Fire stop plate for 12-devices
  - Fire stop plate required in all fire rated doors (12-)
  - Drill (2) 1/8" diameter holes if the door is not supplied with them
  - Secure fire stop plate to door with (2) #8 x 1/2" self tapping screws

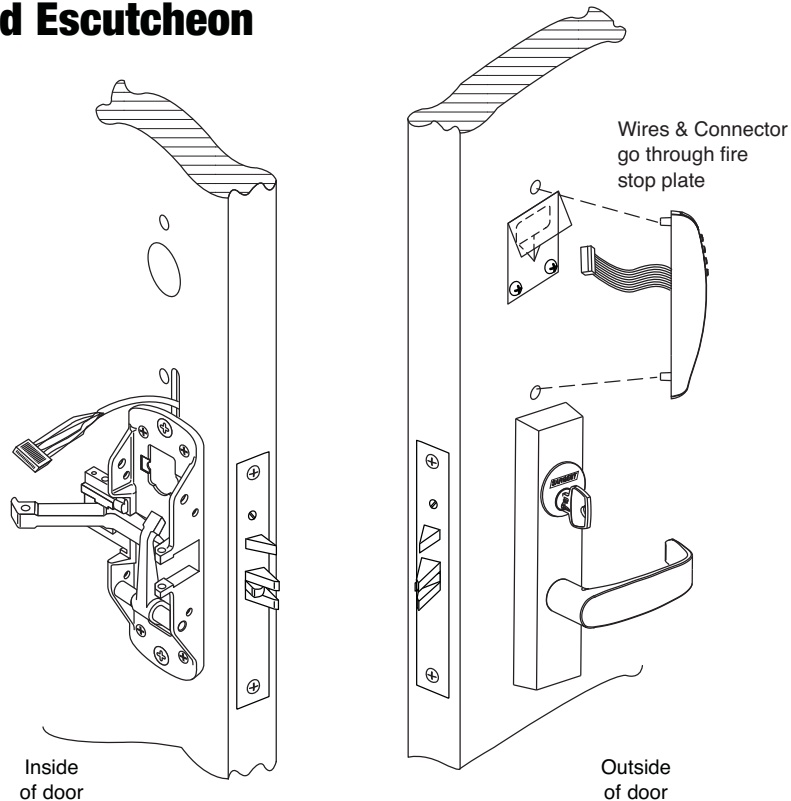


**NOTE: Fire stop plate is required on all fire rated doors**

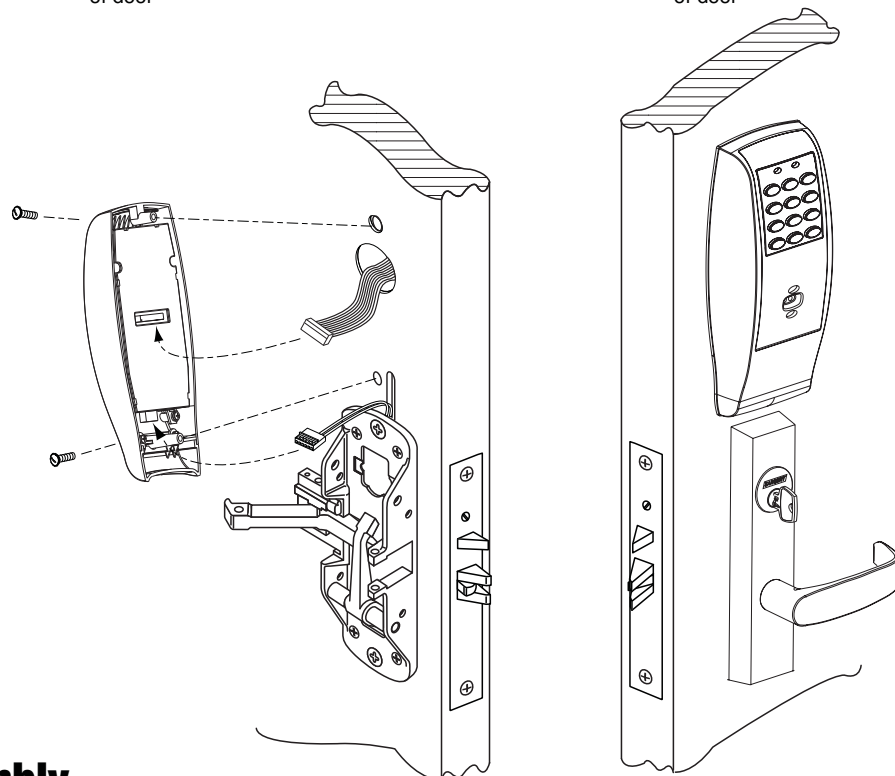
## Mortise Installation Instructions (Continued)

### Step #4 – Outside Keypad Escutcheon

1. Insert Wires and Connector
  - From the outside of the door through the Fire Stop Plate (if required)
  - For non 12- exit devices feed wire harness from keypad assembly through hole in door



- Straighten keypad escutcheon and tighten the #8-32 x 1-1/4" pan head screw

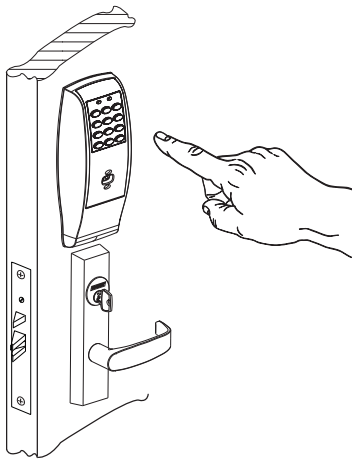


### Step #5 – Rail Assembly

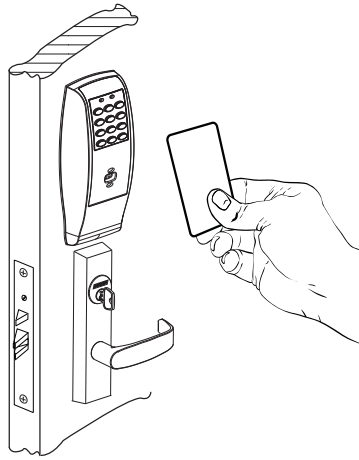
Attach rail assembly according to Exit installation instructions A6705

## 5 Operational Check

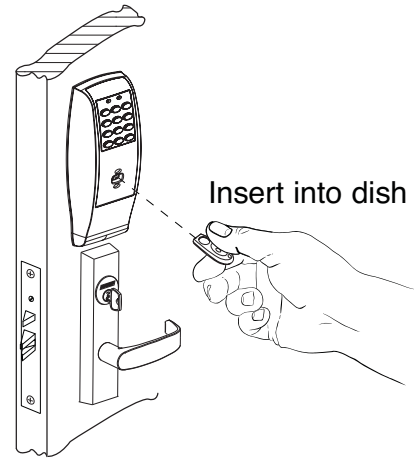
- Place key into cylinder and rotate key
- The key will retract the latchbolt, the key should rotate freely
- Inside rail retracts latchbolt
- Enter 1234\* to unlock outside lever handle and retract latchbolt
- If a card or prox is used, present them as shown below. Microprox Tags are presented like cards.



Key/Cylinder, Code Verification



Presentation of Card or Tag



Presentation of Fob

## 6 Programming Instructions for Keypad Operations Only

The Keypad Lock can support 100 (LK) / 500 (LU, PK, PA) users. Each user is assigned a User Number in addition to the code used for entry.

Example:

USER TYPE	USER NUMBER	USER CODE (2-6 DIGITS)
Master	01	1 2 3 4
Emergency	02	2 2 2 2
Supervisor	03	3 0 3 0 3 0
Standard	04-97 (LK) 04-500 (LU, PK, PA))	2 6 5

## 6 Programming Instructions for Keypad Operations Only

- Soflink™ Plus must be used with (PA) controller for programming
- The Master Code is **always** User “01”. The Master Code assigns the Emergency and Supervisory Codes. It is also used for programming. Users are deleted through the Master Programming Code only
- The Emergency Code is **always** User “02”. The Emergency Code has an unlock time of 10 seconds and entry when low battery expiration occurs
- The Supervisory Code is **always** User “03”. The Supervisory Code allows temporary lockout of selected users, changes duration of unlock time, requests infrared interrogation output, may add additional User Codes
- The first User Code will be User “04” or higher. User numbers do not have to be used or entered sequentially

### To Begin Programming:

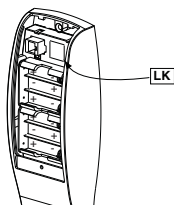
The Lock Controller is preset at the factory with Master Code “1234”.  
Entering 1234 \* will unlock the lock allowing the lever handle to retract the latchbolt.

### Initial Set-Up Procedures:

- The following are typical procedures to follow when setting up your Exit Keypad
- If a mistake is made during any of procedures, depress the “\*” several times until the yellow LED goes out
- If no keystroke is made in a 30sec time frame the programming up to that point will default and you will have to start over

## LK Programming

**To determine which programming steps to use for your lock see the example below:**



If your label has an LK, then use the programming below.  
If your label has an LU or PK, turn to the next set of programming.

### Change the Master Code

99# 1234\*

50# 1#

New Master Code\*

New Master Code\*

\*

Yellow LED blinks

Yellow LED blinks

Yellow LED blinks quickly

Yellow LED blinks slowly

Yellow LED goes out (If solid, see note)

This example uses the Factory Default 1234\*, yours may differ.

**It is recommended not to use the factory default master code.**

**To Enter the Emergency Code**

99# Master Code*	Yellow LED blinks
50# 2#	Yellow LED blinks
Emergency (1-6 digits)*	Yellow LED blinks quickly
Emergency (1-6 digits)*	Yellow LED blinks slowly (If solid, see note)
*	Yellow LED goes out

Emergency Code defaults to a 10 second unlock time

• **Factory Default Emergency Code is 4321**

**To Change the Supervisor Code**

99# Master Code*	Yellow LED blinks
50# 1# 3#	Yellow LED blinks
Supervisory (1-6 digits)*	Yellow LED blinks Quickly
Supervisory (1-6 digits)*	Yellow LED blinks Slowly (If solid, see note)
*	Yellow LED goes out

**Enter A User Code**

99# Master Code* or Supervisory Code*	Yellow LED blinks
50# 1# (User Number 04-100)#	Yellow LED blinks
User Code (1-6 digits)*	Yellow LED blinks quickly
User Code (1-6 digits)*	Yellow LED blinks slowly (If solid, see note)
*	Yellow LED goes out

**Enter A Passage (Maintained) Code**

99# Master Code*	Yellow LED blinks
50# 0# (User Number 04-100)#	Yellow LED blinks
User Code (1-6 digits)*	Yellow LED blinks Quickly
User Code (1-6 digits)*	Yellow LED blinks slowly (If solid, see note)
*	Yellow LED goes out

**Enter A One Time User Code**

99# Master Code* or Supervisory Code*	Yellow LED blinks
50# 5# (User Number 04-100)#	Yellow LED blinks
User Code (1-6 digits)*	Yellow LED blinks Quickly
User Code (1-6 digits)*	Yellow LED blinks slowly (If solid, see note)
*	Yellow LED goes out

**To Deactivate / Reactivate "Beep" With Key Stroke**

99# Supervisory or Master Code*	Yellow LED blinks
30# 0# 0# (Off) (1# = On)	Yellow LED blinks
*	Yellow LED blinks quickly
*	Yellow LED blinks slowly (If solid, see note)
*	Yellow LED goes out

Note: If turning Beep OFF, Not audible on last two steps.

**To Clear the Entire Memory**

99# Master Code*	Yellow LED blinks
46# 00000# 00000#	Yellow LED blinks
*	Yellow LED blinks quickly
*	Yellow LED goes solid and begins to blink
*	Yellow LED goes out (If solid, see note)

This deletes ALL Codes, including Master, Emergency and Supervisory. The Master Code is set back to 1234\*, Door Number to 0001 and Unlock Time to 5 seconds. If the Master Code is not known, Factory Assistance will be required to clear the memory. Call 1-800-810-9473.



**To Program Door Name into Keypad**

99# Master Code\* Yellow LED blinks  
 43# Door Name (up to 5 digits)# Yellow LED blinks  
 0# Yellow LED blinks quickly  
 \* Yellow LED blinks slowly (If solid, see note)  
 \* Yellow LED goes out  
 \*

**To Interrogate Transaction Log**

99# Supervisory or Master Code\* Yellow LED blinks  
 70# 0# 0# Yellow LED blinks  
 \* Yellow LED blinks quickly  
 \* Yellow LED goes out (If solid, see note)

For additional information, see “Transaction Log”.

Hold an infrared printer up to the infrared LED (as shown). An HP82240B Infrared Printer can be used to download information from the keypad to a printout.

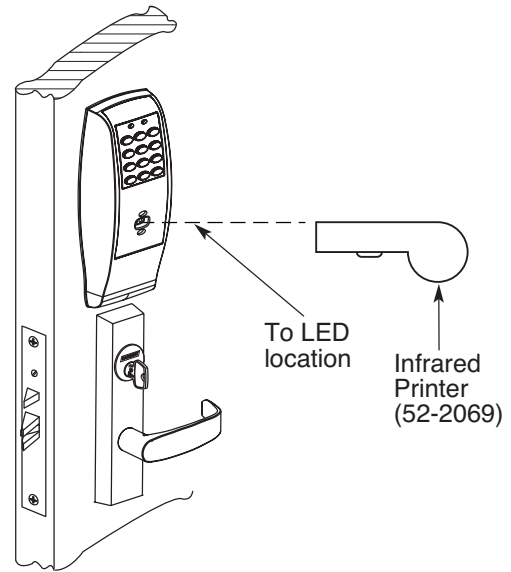
**Door Name 5666**

Door Name	Seq	User	Trans
	0	001	—
	1	003	—
	2	003	—
	3	020	—
	4	003	—

Note: Seq. # 0 is the programming request to output the entries. Sequence numbers 1-9 are the actual entries.

Transaction Number      User Number      Transaction Type

Varies



When done printing, the green LED will turn off and the yellow LED will blink slowly.

\* Yellow LED goes out

**To Reset / Clear Transaction Log**

99# Master Code\* Yellow LED blinks  
 76# 00000# 00000# Yellow LED blinks  
 \* Yellow LED blinks quickly  
 \* Yellow LED blinks slowly  
 \* Yellow LED goes out (If solid, see note)

**To Delete A User**

99# Master Code\* Yellow LED blinks  
 50# 1# (User Number 04-100)# Yellow LED blinks  
 \* Yellow LED blinks quickly  
 \* Yellow LED blinks slowly (If solid, see note)  
 \* Yellow LED goes out

**To Enable/Disable A User**

99# Master Code*	Yellow LED blinks
56# 0# (Enable) or 1# (Disable) (User No. 04-100)#	Yellow LED blinks
*	Yellow LED blinks quickly
*	Yellow LED blinks slowly (If solid, see note)
*	Yellow LED goes out

**To Set Unlock Time**

99# Master Code*	Yellow LED blinks
11# (1-99 sec)# 0#	Yellow LED blinks
*	Yellow LED blinks quickly
*	Yellow LED blinks slowly (If solid, see note)
*	Yellow LED goes out

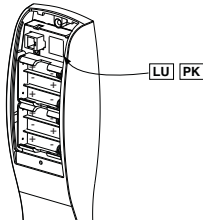
The Unlock Time is adjustable for Momentary Operation. A 5 second unlock time is recommended to extend battery life. Once the unlock time is entered, it is the same for ALL users except 02.

**Status Indicators**

No Green LED after code is entered once, but flashes after 3 consecutive entries- Invalid Code  
 4 Long beeps after code is entered - Low Battery.  
 4 long beeps after code is entered, 4 more long beeps - Voltage (batteries) too low to operate  
 Enter Emergency Code to gain 1 entry.

**LU and PK Programming**

**To determine which programming steps to use for your lock see the example below:**



If your label has a LU or PK then use the programming below.  
 If your label has a LK turn to LK programming.

**Change the Master Code**

99# 1234*	Yellow LED blinks
50# 1#	Yellow LED blinks
New Master Code*	Yellow LED blinks quickly
New Master Code*	Yellow LED blinks slowly (If solid, see note)
*	Yellow LED goes out

This example uses the Factory Default 1234\*, yours may differ.  
**It is recommended not to use the factory default master code.**

**To Enter the Emergency Code**

99# Master Code*	Yellow LED blinks
50# 2#	Yellow LED blinks
Emergency (1-6 Digits)*	Yellow LED blinks quickly
Emergency (1-6 Digits)*	Yellow LED blinks slowly (If solid, see note)
*	Yellow LED goes out

Emergency Code default to a 10 second unlock time

**• Factory Default Emergency Code is 4321**

**To Change the Supervisor Code**

99# Master Code*	Yellow LED blinks
50# 1# 3#	Yellow LED blinks
Supervisory (1-6 digits)*	Yellow LED blinks quickly
Supervisory (1-6 digits)*	Yellow LED blinks slowly (If solid, see note)
*	Yellow LED goes out

**Enter A User Code**

99# Master Code*	Yellow LED blinks
50# 1# (User Number 04-500)#	Yellow LED blinks
User Code (1-6 digits)*	Yellow LED blinks quickly
User Code (1-6 digits)*	Yellow LED blinks slowly (If solid, see note)
*	Yellow LED goes out

**Enter A Passage (Maintained) Code**

99# Master Code*	Yellow LED blinks
50# 0# (User Number 04-500)#	Yellow LED blinks
User Code (1-6 digits)*	Yellow LED blinks quickly
User Code (1-6 digits)*	Yellow LED blinks slowly (If solid, see note)
*	Yellow LED goes out

**Enter A One Time User Code**

99# Master Code*	Yellow LED blinks
50# 5# (User Number 04-500)#	Yellow LED blinks
User Code (1-6 digits)*	Yellow LED blinks quickly
User Code (1-6 digits)*	Yellow LED blinks slowly (If solid, see note)
*	Yellow LED goes out

**Enter a Card, Tag or Fob User**

99# Master Code*	Yellow LED blinks
50# 1# (User Number 04-500)#	Yellow LED blinks
*	Yellow LED blinks quickly
*	Yellow LED blinks slowly (If solid, see note)
Present Card, Tag or Fob	BEEP / Yellow LED blinks
*	Yellow LED blinks slowly
*	Yellow LED goes out

**Enter a User Code + Card, Tag or FOB**

99# Master Code*	Yellow LED blinks
50# 1# (User Number 04-500)#	Yellow LED blinks
User Code (1-6 digits)*	Yellow LED blinks quickly
User Code (1-6 digits)*	Yellow LED blinks slowly (If solid, see note)
Present Card, Tag or Fob	BEEP / Yellow LED blinks
*	Yellow LED blinks slowly
*	Yellow LED goes out

**To Clear the Entire Memory**

99# Master Code\* Yellow LED blinks  
 46# 00000# 00000# Yellow LED blinks  
 \* Yellow LED blinks quickly  
 \* Yellow LED blinks very fast for 10 sec., then slow  
 \* Yellow LED goes out

**Turn OFF Audio Beep verification on every Key Depression**

99# Master Code\* Yellow LED blinks  
 30# 0# 0# (Off) (1# = On) Yellow LED blinks  
 \* Yellow LED blinks quickly  
 \* Yellow LED blinks slowly (If solid, see note)  
 \* Yellow LED goes out

**Turn ON Yellow LED verification on every Key Depression**

99# Master Code\* Yellow LED blinks  
 30# 1# 1# (On) (0# = Off) Yellow LED blinks  
 \* Yellow LED blinks quickly  
 \* Yellow LED blinks slowly (If solid, see note)  
 \* Yellow LED goes out

**Set Time**

99# Master Code\* Yellow LED blinks  
 41# hh:mm# (24hr Format) 0# Yellow LED blinks  
 \* Yellow LED blinks quickly  
 \* Yellow LED blinks slowly (If solid, see note)  
 \* Yellow LED goes out  
 24Hr Format = 1PM = 13, 2PM = 14.....10PM = 22, Midnight = 00 **Example 13:15 = 1:15PM**

**Daylight Savings Time**

99# Master Code\* Yellow LED blinks  
 30# 13# 1# (On) (0# = Off) Yellow LED blinks  
 \* Yellow LED blinks quickly  
 \* Yellow LED blinks slowly (If solid, see note)  
 \* Yellow LED goes out

**Set Date (Today's Date)**

99# Master Code\* Yellow LED blinks  
 42# mmddyy# D.O.W.# (Sunday=1) Yellow LED blinks  
 \* Yellow LED blinks quickly  
 \* Yellow LED blinks slowly (If solid, see note)  
 \* Yellow LED goes out

D.O.W. = Day of week

**Set Unlock Time**

99# Master Code*	Yellow LED blinks
11# (1-99 sec.)# 0#	Yellow LED blinks
*	Yellow LED blinks quickly
*	Yellow LED blinks slowly (If solid, see note)
*	Yellow LED goes out

The Unlock Time is adjustable for momentary operation. A 5 second unlock time is recommended to extend battery life. Once the unlock time is entered, it is the same for ALL users except 02.

**To Enable/Disable A User**

99# Master Code*	Yellow LED blinks
56# 0# (Enable) or 1# (Disable)	Yellow LED blinks
(User No. 04-500)#	Yellow LED blinks quickly
*	Yellow LED blinks slowly (If solid, see note)
*	Yellow LED goes out

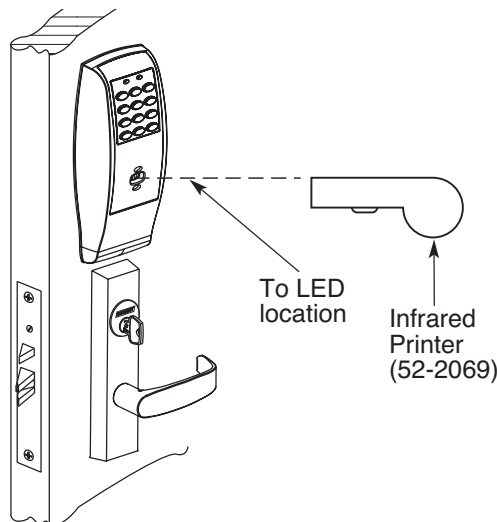
**To Delete A User**

99# Master Code*	Yellow LED blinks
50# 1# (User Number 04-500)#	Yellow LED blinks
*	Yellow LED blinks quickly
*	Yellow LED blinks slowly (If solid, see note)
*	Yellow LED goes out

**To Interrogate Transaction Log Using IR Printer (52-2069)**

99# Master Code*	Yellow LED blinks
70# 0# 0#	Yellow LED blinks
*	Yellow LED blinks quickly
*	Yellow blink, Green fast, Point printer to infrared LED. The printer will start to record the transactions. When done printing, the Green LED will turn off and the Yellow LED blinks slow. Transactions STOP.
*	Yellow LED goes out

For additional information, see "Transaction Log".



Hold printer up to the infrared LED (as shown). An HP82240B Infrared Printer can be used to download information from the keypad to a printout.

**To Erase Transaction Log**

99# Master Code\*

76# 00000# 00000#

\*

\*

\*

Yellow LED blinks

Yellow LED blinks

Yellow LED blinks quickly

Yellow LED blinks slowly (If solid, see note)

Yellow LED goes out

**Note:** If the Yellow LED becomes solid rather than blinking, a mistake has been made. Depress the \* Button until the Yellow LED goes out and start programming again.

**Status Indicators**

**3 very rapid beeps after User Code entered - Invalid User Code**

**4 long beeps after User Code entered - Low Battery Indication**

**4 long beeps after User Code entered, 4 more long beeps - Voltage too low to operate. Enter Master or Emergency Code to gain 1 entry**

**1 beep after User Code entered - disabled user**

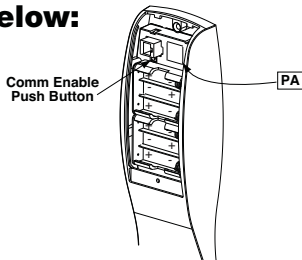
**4 beeps after User Code entered - deadbolt thrown**

**3 beeps after User Code entered - user lockout**

**Alternating red/green LED — Awaiting second entry of Code/Card, Tag or Fob user**

**PA Programming**

**To determine which programming steps to use for your lock see the example below:**



If your label has a PA and no keypad or front bezel then use the programming below.

If your label has an LK turn to LK Programming.

If your label has an LU or PK turn to LU or PK Programming

In a Prox Only (PA) configuration, all programming must be completed using SofLink™ Plus Software. The Software includes a convenient Software User's Manual, to be used as a programming guide.

### First Time Programming

*(Using any HID Card and the PA controller  
Comm Enable push button)*

*Note: Card can also be a Fob or Prox Tag*

1. Create / Open Door File for PA Lock
2. Connect lock to PC (or PDP) using connectors and cable
3. On PC - Click "Send to Door"  
On PDP – Click "Up/Down"
4. Wake up the PA lock by presenting a HID Card at the PA prox assembly.
5. Within a couple seconds press and hold the PA controller Comm Enable push button for 2 seconds, then release the button
6. On PC or PDP, click "OK"
7. Click OK. If there was an error, check connections and repeat process starting at Step 2.
8. \*The Card will NOT signal the lock for 45 seconds from the start of the downloading process. After this time expires, the card should function as indicated by its User Type.

*Message appears on PC "Please enter your communication code at the controller and then click OK." Do NOT click OK at this point*

*PA prox assembly - Green LED flashes and lock beeps several times*

*The PC or PDP starts transferring the door file to the PA lock. When finished, PC Displays "Transfer Complete"*

### Reprogramming

1. With Card selected as a "CommEnable" User Type programmed with SofLink Plus Software. When this is done, presenting the "CommEnable" prox card to the lock will allow the unit to wake up and initiate the communications channel to the PC without the need to press the CommEnable push button. Follow "First Time Programming" procedure, except skip step 5.
2. With Card previously programmed (other than CommEnable User Type). Follow "First Time Programming" procedure.



## 7 Chain Programming

When programming multiple User Numbers and Codes into the LK, LU or PK Keypad Lock, it is not necessary to leave and re-enter the programming Mode (50) for each entry. Multiple entries may be chained together and the three different types of user codes (Standard, Passage and One Time) may be mixed.

The format to be used is as follows where:

“T” is the Type of user code with “1” Standard, “2” Passage and “3” One Time.

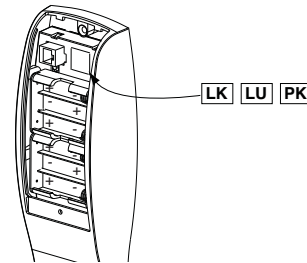
“UN\_” is User Number (04-99)

“UC\_” is User Code (2 to 6 digits) which correlates with the User Number

99# Master or Supervisor Code\* 50# Type# User Number a# User Code a\*  
User Code a\* T# UNb# UCb\* UCb\* T# UNc# UCc\* UCc\* ..... T# UN\_# UC\_\* UC\_\*\*

An example with four user codes is shown below:

Type	User Number	User Code
1	05	875
3	12	2226
2	08	5444
1	50	3367



Using Master Code 4732 and above information, the lock would be programmed as follows:

99# 4732\* 50# 1# 05# 875\* 875\* 3# 12# 2226\* 2226\* 2# 08# 5444\* 5444\* 1# 50# 3367\* 3367\*

If all user codes are type 1, it is not necessary to enter the type number with each entry.

The format now simplifies to:

99# Master or Supervisor Code\* User Number a# User code a\* User Code a\* UNb# UCb\* UCb\*  
UNc# UCc\* UCc\*..... UN\_# UC\_\* UC\_\*\*

An example with three user codes is shown below:

Type	User Number	User Code
1	07	77
1	15	67832
1	91	7568

Using Master Code 45988 and above information, the lock would be programmed as follows:

99# 45988\* 07# 77\* 77\* 15# 67832\* 67832\* 91# 7568\* 7568\*\*

To chain the User Number delete procedure:

99# Master Code\* User Number a#\*\* UNb#\*\* UNc#\*\* ..... UN\_#\*\*\*\*

Using the information from the above example:

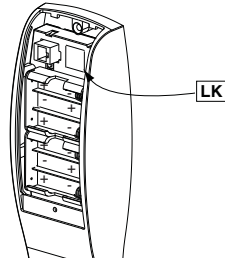
99# 45988\* 07#\*\* 15#\*\* 91#\*\*\*\*



## 8 Transaction Log

To output the last 15 or 1000 transactions, enter 99 # Supervisory or Master Code \* 70 # 0 # 0 # \*\*.

- Examples on this page are for the 100 user, 15 transaction unit



**Note: Seq. # 0 is the programming request to output the entries. Sequence numbers 1-9 are the actual entries.**

**Door Name 5666**

Door Name	Seq	User	Trans
	0	001	—
	1	003	—
	2	003	—
	3	020	—
	4	003	—

Labels for the table:   
 - 'Door Name' points to the first column.  
 - 'Transaction Number' points to the 'Seq' column.  
 - 'User Number' points to the 'User' column.  
 - 'Transaction Type' points to the 'Trans' column.  
 - A bracket labeled 'Varies' spans the 'Trans' column for rows 1 through 4.

### Door Name

- If SofLink™ Plus is used, door name must be changed via PC

### Sequence Number

- Single digit - 0-9
- Latest transaction - 0
- Oldest transaction - 9

### User Number

- Three digits - 001 through 099
- User numbers assigned at time of programming

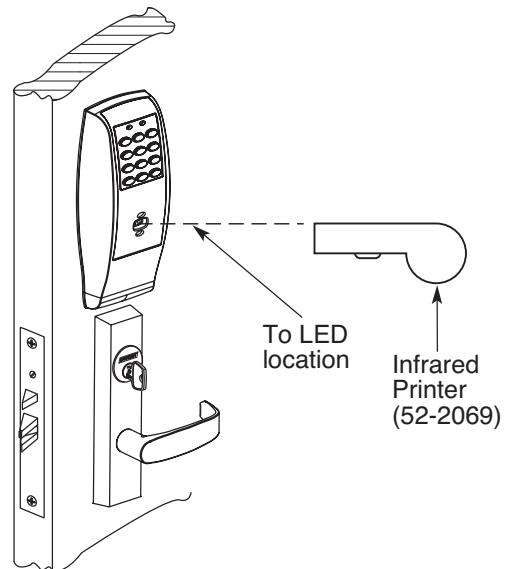
### Transaction Descriptions

- Will vary

### Optional Equipment

- Printer Paper (6 Rolls) - 52-0034 used for infrared printers
- Infrared Printer - 52-2069 - used to download the user and transaction type.
- Remote Unlocking - 52-2071 - used for remote unlocking of low profile mortise lock. When the deadbolt is thrown and the remote unlocking feature is used, both the latchbolt and deadbolt can be retracted by turning the lever handle.

Hold an infrared printer up to the infrared LED (as shown). An HP82240B Infrared Printer can be used to download information from the keypad to a printout.







SARGENT Manufacturing  
100 Sargent Drive  
New Haven, CT 06511 USA  
800-727-5477 • [www.sargentlock.com](http://www.sargentlock.com)

Founded in the early 1800s, SARGENT® is a market leader in locksets, cylinders, door closers, exit devices, electro-mechanical products and access control systems for new construction, renovation, and replacement applications. The company's customer base includes commercial construction, institutional, and industrial markets.

Copyright © 2003, 2008 Sargent Manufacturing Company, an ASSA ABLOY Group company. All rights reserved. Reproduction in whole or in part without the express written permission of Sargent Manufacturing Company is prohibited.

ASSA ABLOY is the global leader in door opening solutions, dedicated to satisfying end-user needs for security, safety and convenience.

A7455B-12/08