

Sized
(Sizes 2,3,4,5)

Adjustable
(Sizes 3 thru 6)

1132-HU

1130-HU

1133-HU

(Sizes 1 thru 4)

1134-HU

1131-HU

1135-HU



1130HU Series

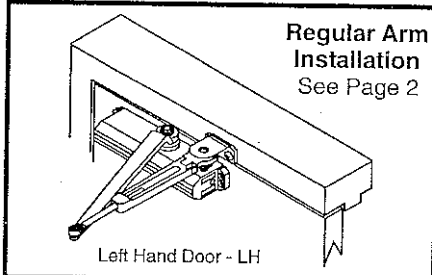
Non Handed Door Closer

CAUTION An incorrectly installed or improperly adjusted door closer can cause property damage or personal injury. These installation instructions should be followed to avoid the possibility of misapplication or misadjustment.

Weaker -

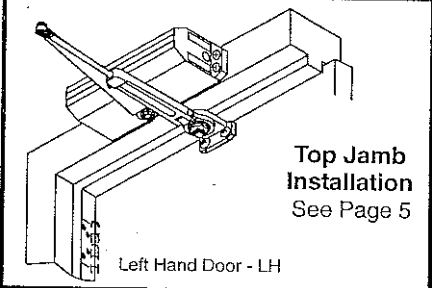


Stronger +



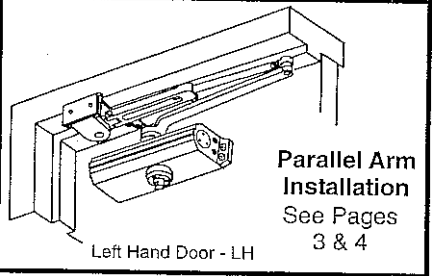
Regular Arm Installation
See Page 2

Left Hand Door - LH



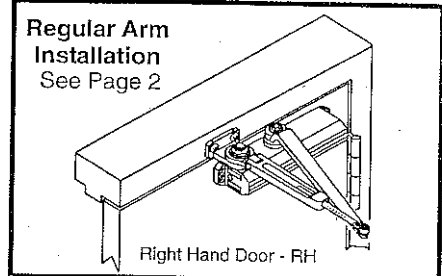
Top Jamb Installation
See Page 5

Left Hand Door - LH



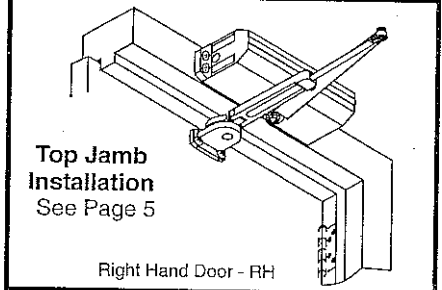
Parallel Arm Installation
See Pages 3 & 4

Left Hand Door - LH



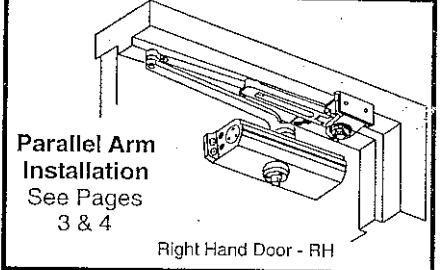
Regular Arm Installation
See Page 2

Right Hand Door - RH



Top Jamb Installation
See Page 5

Right Hand Door - RH



Parallel Arm Installation
See Pages 3 & 4

Right Hand Door - RH

- Doors should be hung on ball bearing or anti-friction hinges.
- A separate door stop is recommended.
- Door and frame must be properly reinforced.
- Adjust closing time speed between 3 and 7 seconds from 90° to 0°.

• These door closers should NOT be installed on the exposed side (weather side) of exterior doors.

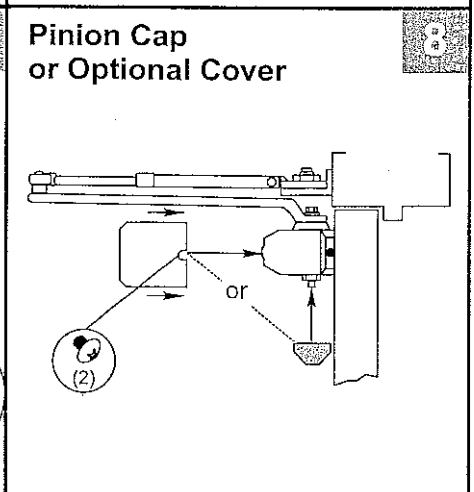
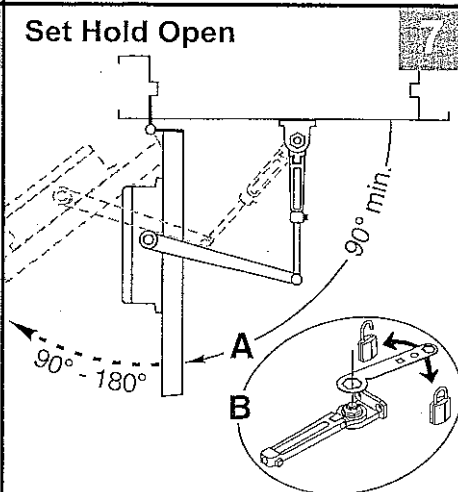
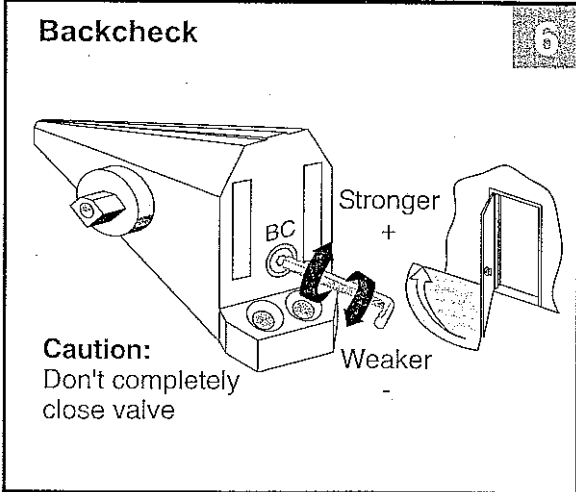
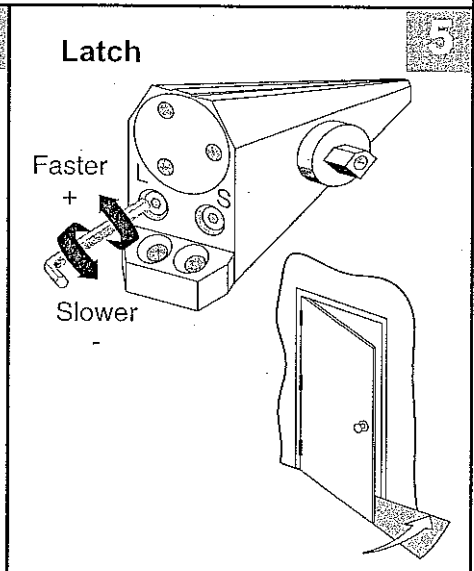
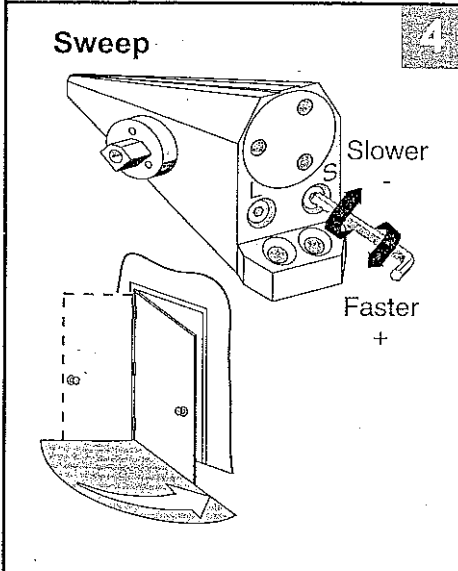
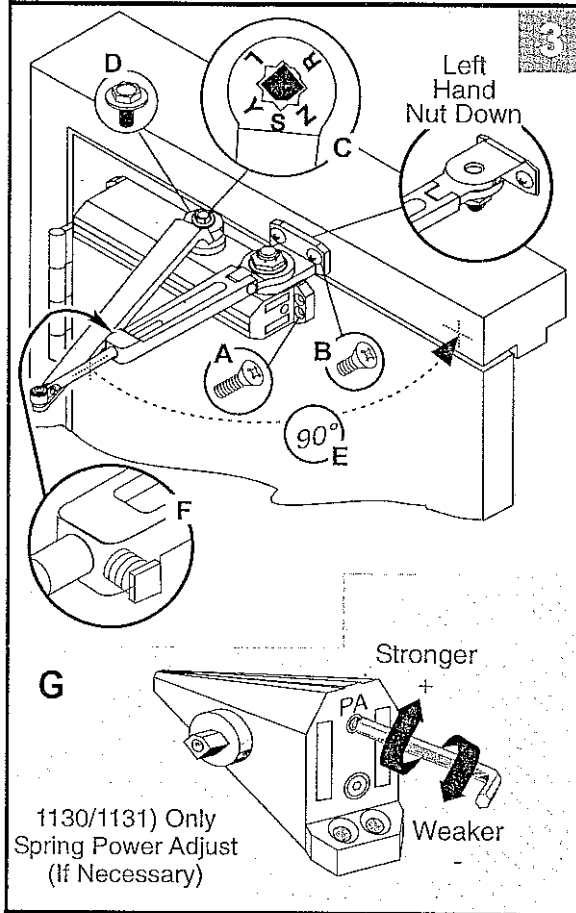
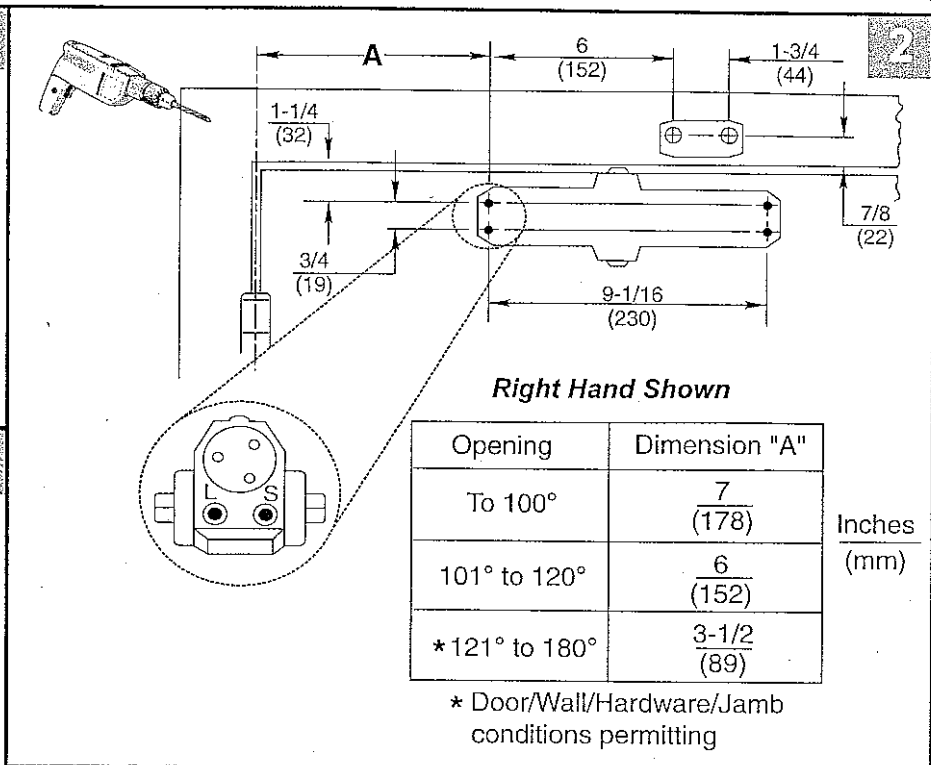
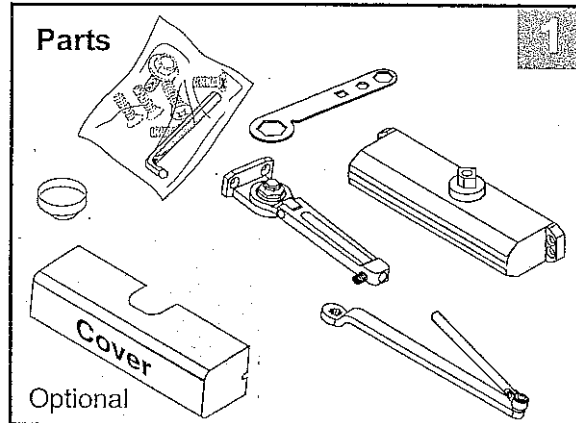
		<p>#7 Metal 1/4-20</p>	<p>7/32" Wood</p>	<p>(Optional)</p> <p>#14 Screws for Wood drill 7/32</p> <p>Machine Screws #7 Drill, 1/4-20 Tap</p> <p>Sleeve Nut and Bolt Drill 9/32 thru from Closer Side 3/8 Drill other side</p>
--	--	----------------------------	-----------------------	---

<p>Spring Power Adjustment Screw 1130/1131 Series Only</p>	<p>Standard Components</p> <p>"BC" Valve Closer Body "L" Valve "S" Valve</p> <p>Pinion Cap Closer Size Stamp</p>	<p>Arm Assembly</p> <p>Main Arm Set Screw</p> <p>Soffit Adapter Plate</p> <p>Soffit Plate Used with Parallel Arm Closers Only</p>	<p>Optional Components</p> <p>Cover</p>
--	---	---	--

1130HU Series

Hold Open Arm Door Closers — Regular Arm

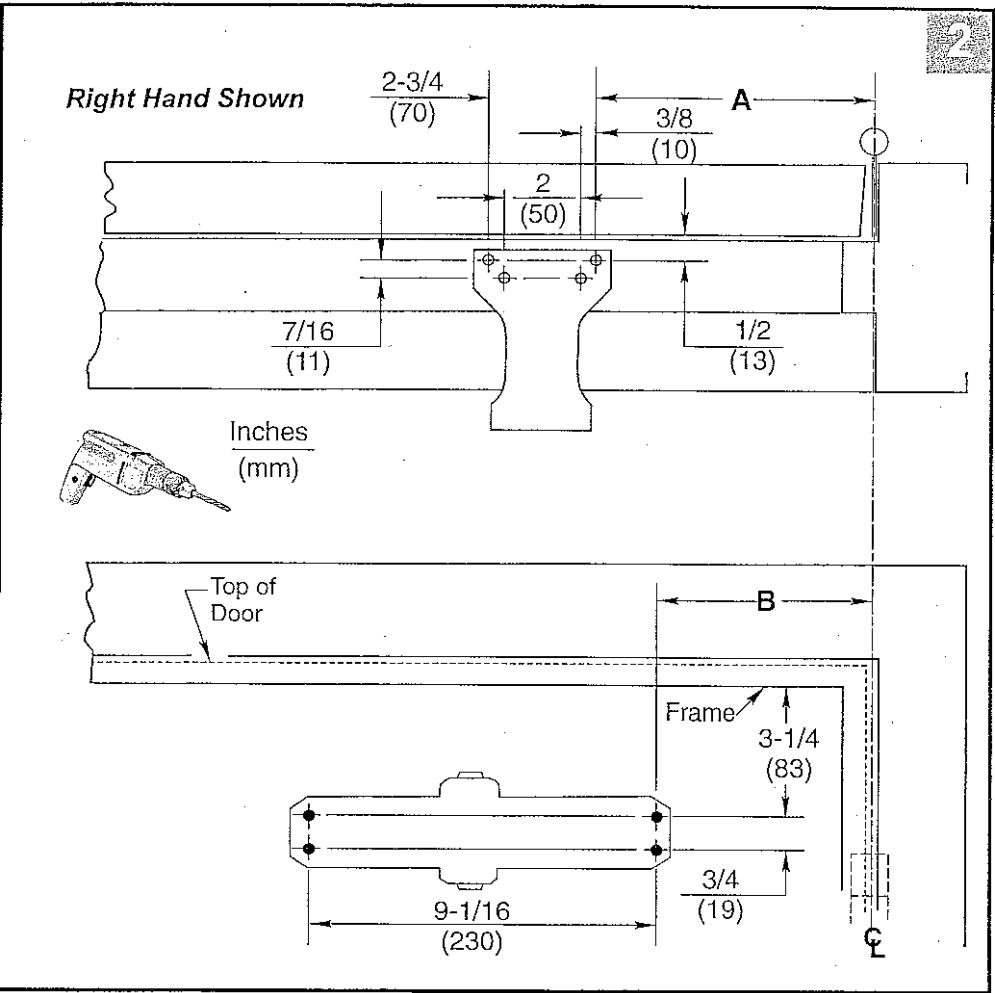
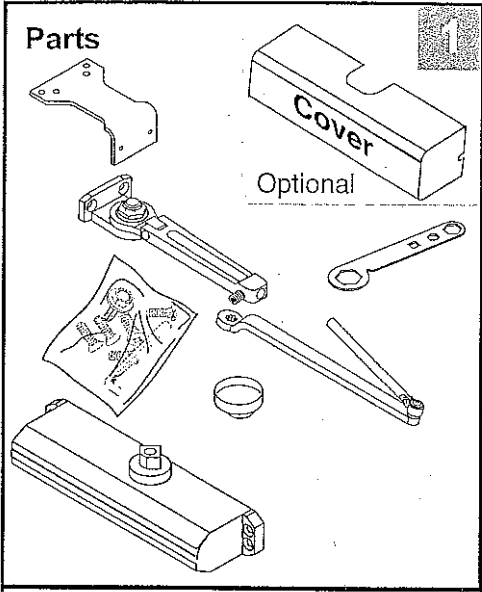
80-9311-0002-021 (10-01)



1130HU Series

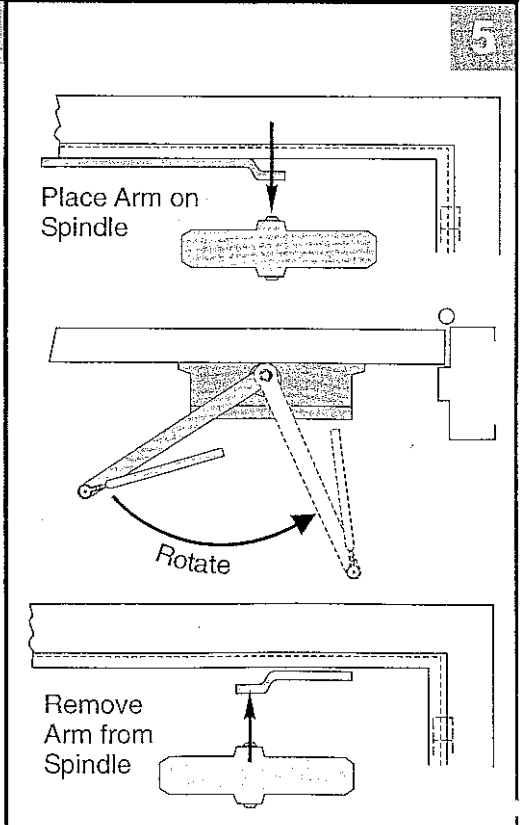
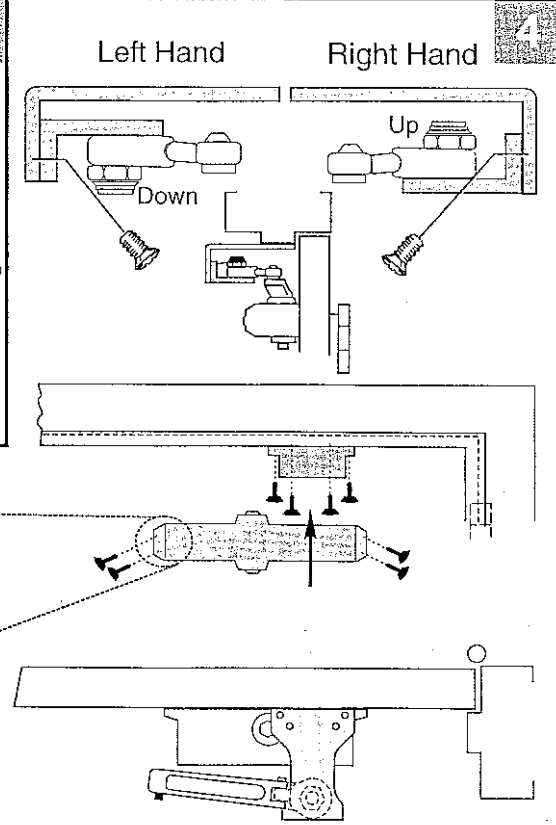
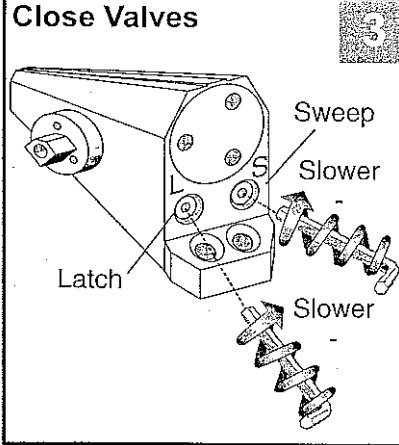
Hold Open Arm Door Closers — Parallel Arm

80-9311-0002-021 (10-01)



Door Opening	A	B
To 100°	9-1/4 (235)	7-5/8 (194)
101° to 130°	7-3/4 (197)	6-1/8 (156)
* 131° to 180°	5-3/4 (146)	4-1/8 (105)

* Door/Wall/Hardware/Jamb conditions permitting



See Step 6 on Page 4

1130HU Series

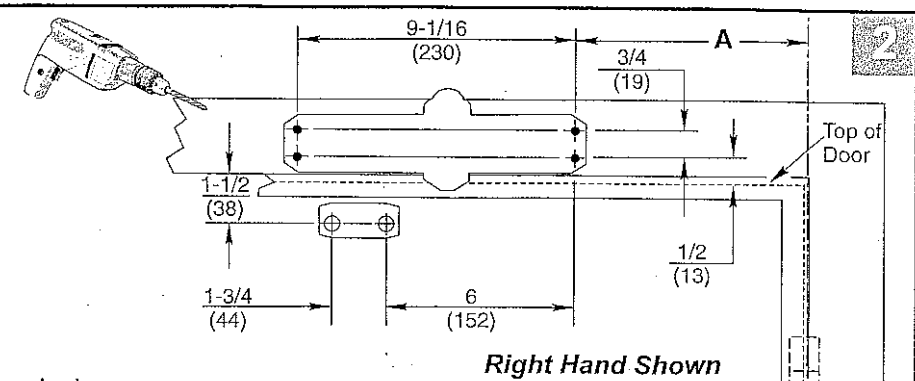
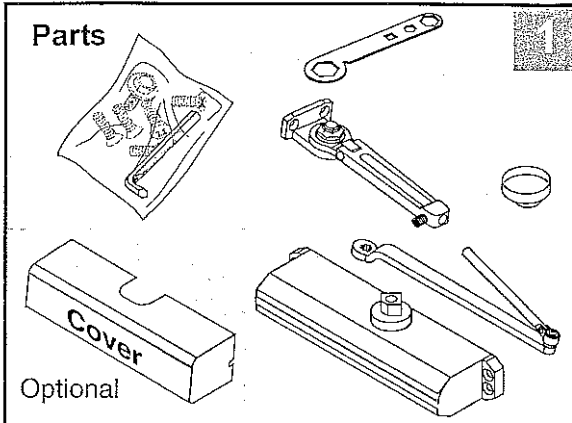
Hold Open Arm Door Closers — Parallel Arm

80-9311-0002-021 (10-01)

<p>6</p> <p>Right Hand Door or Left Hand Door</p> <p>Flat</p> <p>Flat</p> <p>A</p> <p>B</p>	<p>7</p> <p>Open Valves</p> <p>Caution: Do Not Back Valves out Completely</p>	<p>8</p> <p>Assemble Arm</p>	
<p>9</p> <p>Arm Screw</p> <p>1-1/2 (38)</p>	<p>10</p> <p>Spring Power Adjust 1130/1131 only (If necessary)</p> <p>Stronger + Weaker -</p>	<p>11</p> <p>Sweep</p> <p>Slower - Faster +</p>	<p>12</p> <p>Latch</p> <p>Faster + Slower -</p>
<p>13</p> <p>Backcheck</p> <p>Stronger + Weaker -</p> <p>Caution: Don't completely close valve</p>	<p>14</p> <p>Set Hold Open</p> <p>70° to 180°</p> <p>A</p> <p>B</p>	<p>15</p> <p>Pinion Cap or Optional Cover</p> <p>2</p> <p>or</p>	

1130HU Series

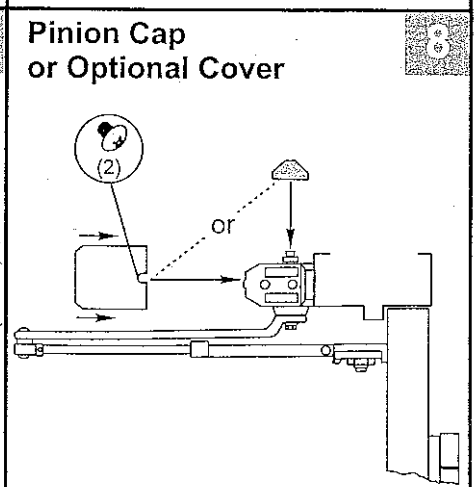
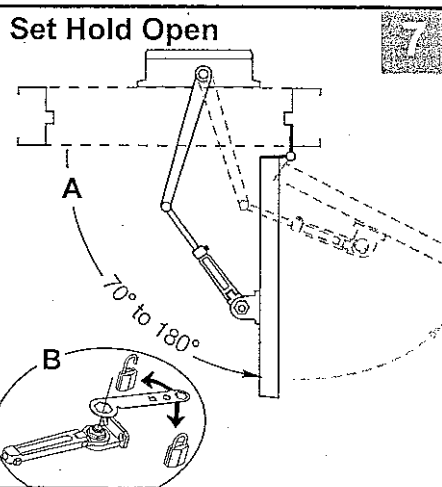
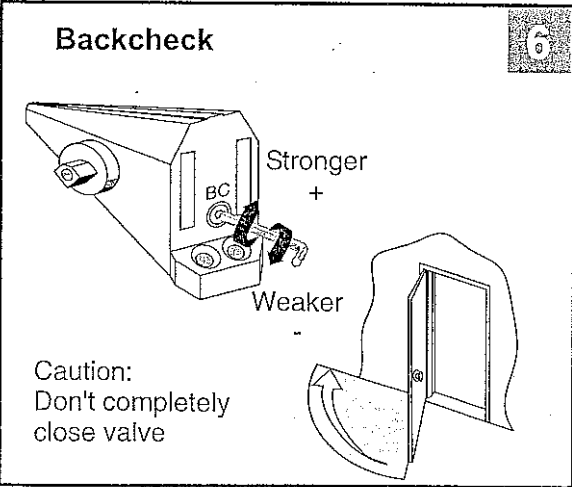
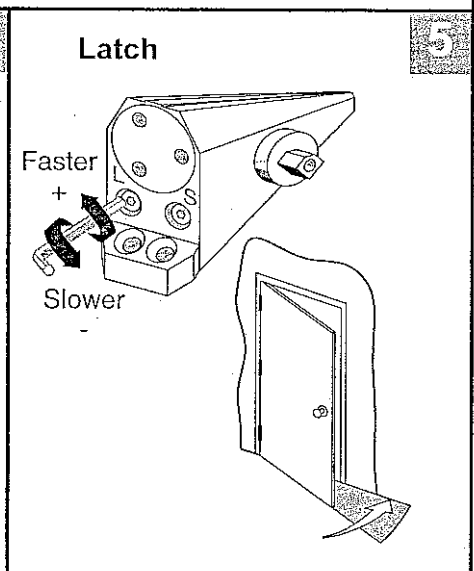
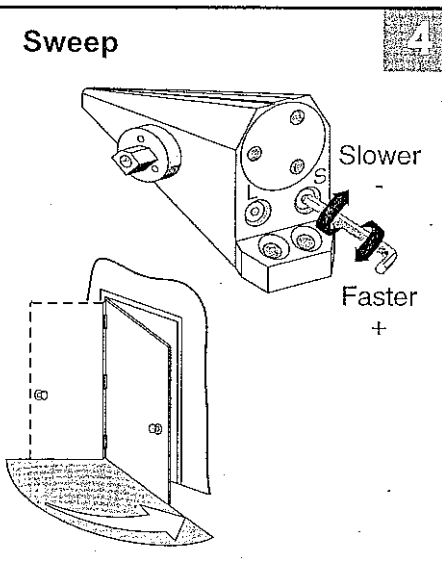
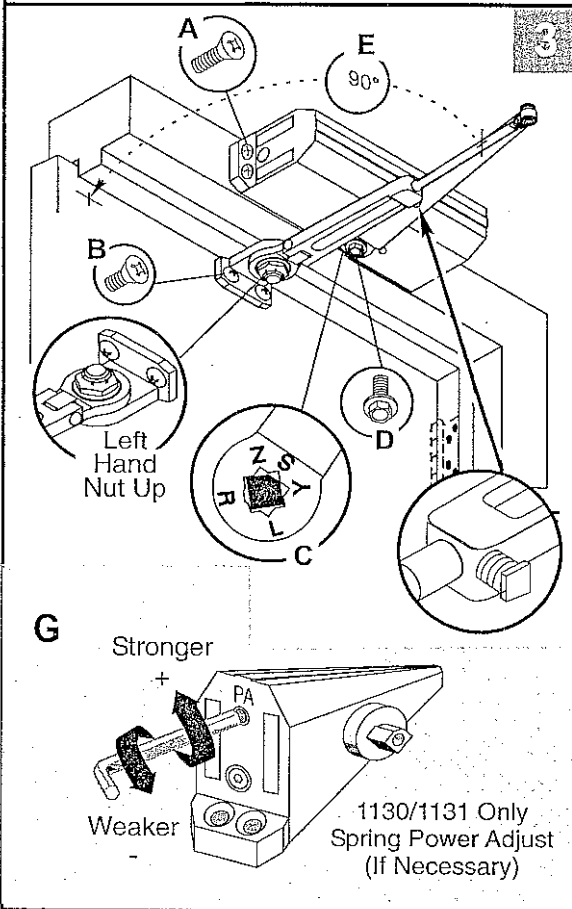
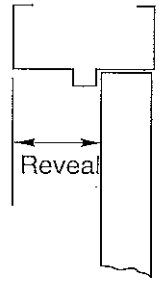
Hold Open Arm Door Closers — Top Jamb Arm 80-9311-0002-021 (10-01)



Inches (mm) * Door/Wall/Hardware/Jamb conditions permitting

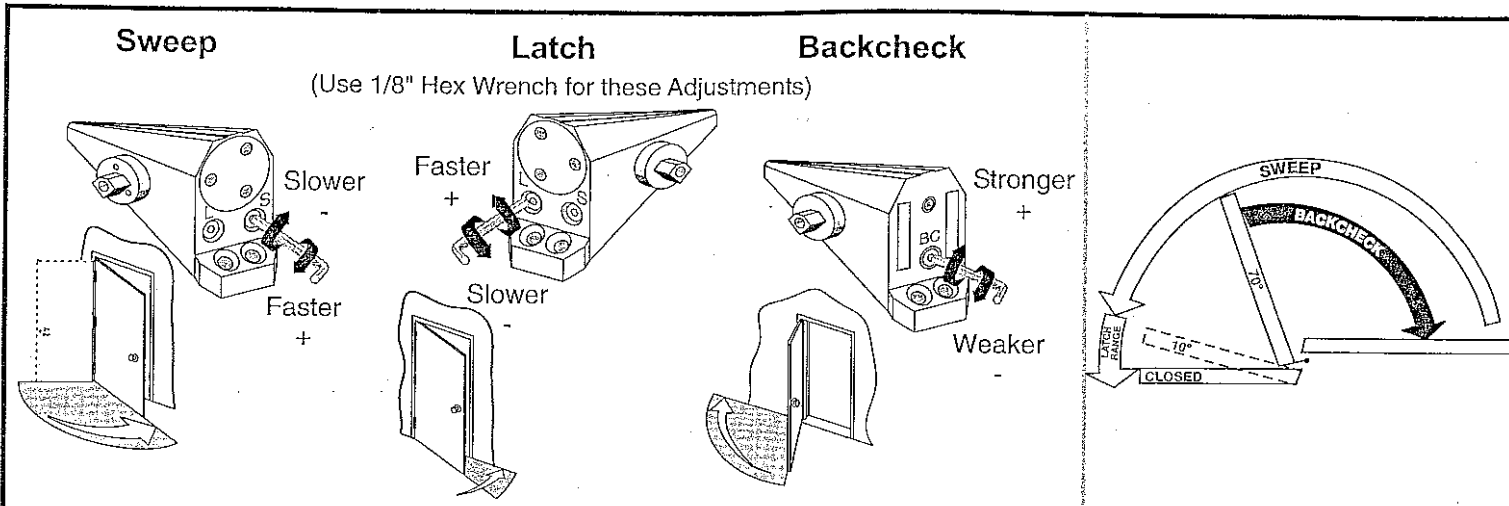
Opening	Dimension "A"
To 100°	7-1/2 (191)
101° to 120°	6 (152)
*121° to 180°	3-1/2 (89)

A longer connecting rod is required for reveals greater than 3" (76)

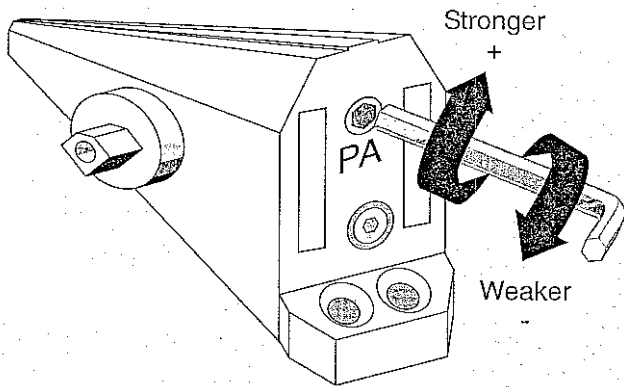


1130HU Series Adjustments Page

80-9311-0002-021 (10-01)



Spring Power Adjust 1130/1131 only




(Use 1/8" Hex Wrench for this Adjustment)

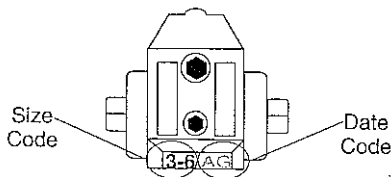
Adjustment Chart

	DOOR	TYPE OF INST.	*	Number of Turns Required MAXIMUM DOOR SIZE				
				34" (0.85M)	36" (0.90M)	40" (1.00M)	44" (1.10M)	48" (1.20M)
1131	INTERIOR	Regular Arm Top Jamb	FULL 360° TURNS OF 1/8" POWER ADJUSTMENT WRENCH	1	1	2	3	3
		Parallel Arm		2	2	3	4	5
	EXTERIOR	Regular Arm Top Jamb		5	6	8	NOT RECOMMENDED USE 1130	
		Parallel Arm		8	9	12	NOT RECOMMENDED USE 1130	
1130	INTERIOR	Regular Arm Top Jamb		2	4	6	9	11
		Parallel Arm		3	5	7	10	13
	EXTERIOR	Regular Arm Top Jamb		3	5	7	10	13
		Parallel Arm		5	7	10	14	16

*18 FULL (360°) TURNS MAXIMUM AVAILABLE

 = 8 Turns As Shipped

To identify your model:



2=1132HU

3-6=1130HU

3=1133HU

1-4=1131HU

4=1134HU

5=1135HU

To Set Hold Open

Open Door to Desired Angle

Use 1" Wrench

