

**SARGENT® 1331 DOOR CLOSER INSTALLATION  
INSTRUCTIONS WITH FOLLOWING ARM SETS:  
(JP10, JPH10); (JPS, JPSH); (JCPS, JCPSH)**

**SARGENT®**  
**ASSA ABLOY**

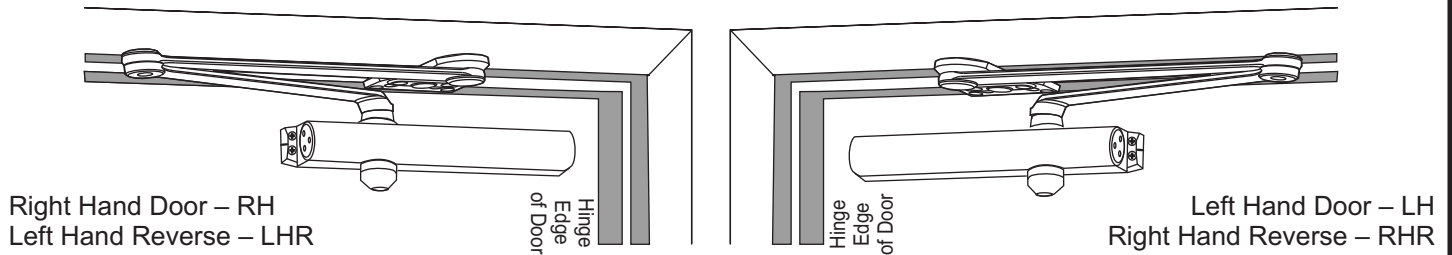
**Strength Adjustment From Size 1 Through 6.**

CAUTION: FAILURE TO INSTALL OR ADJUST PROPERLY MAY RESULT IN INJURY OR DAMAGE

FOR ASSISTANCE, CALL SARGENT AT 1-800-727-5477 or  
www.Sargentlock.com

**Standard Frame Installation**

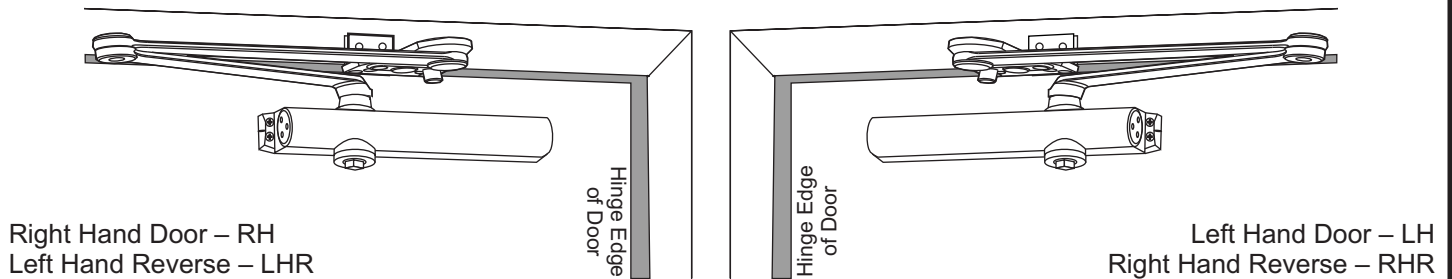
Closer mounts on opposite to hinge (push) side of door. 1331JP10 Parallel Rigid Non Hold Open arm illustrated.  
See Pages 3 and 4



**Narrow Frame Installation**

Closer mounts on opposite to hinge (push) side of door. 1331JPS arm illustrated.  
125JV and 581-1 accessories required for this application (supplied separately).

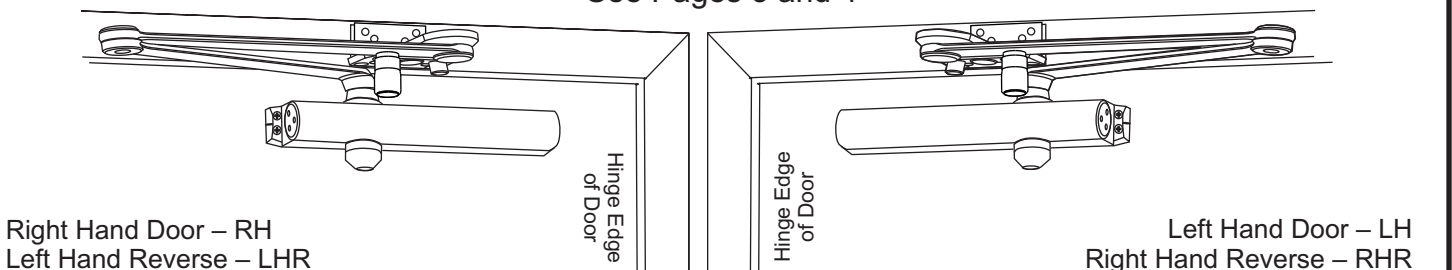
See Pages 3 and 4

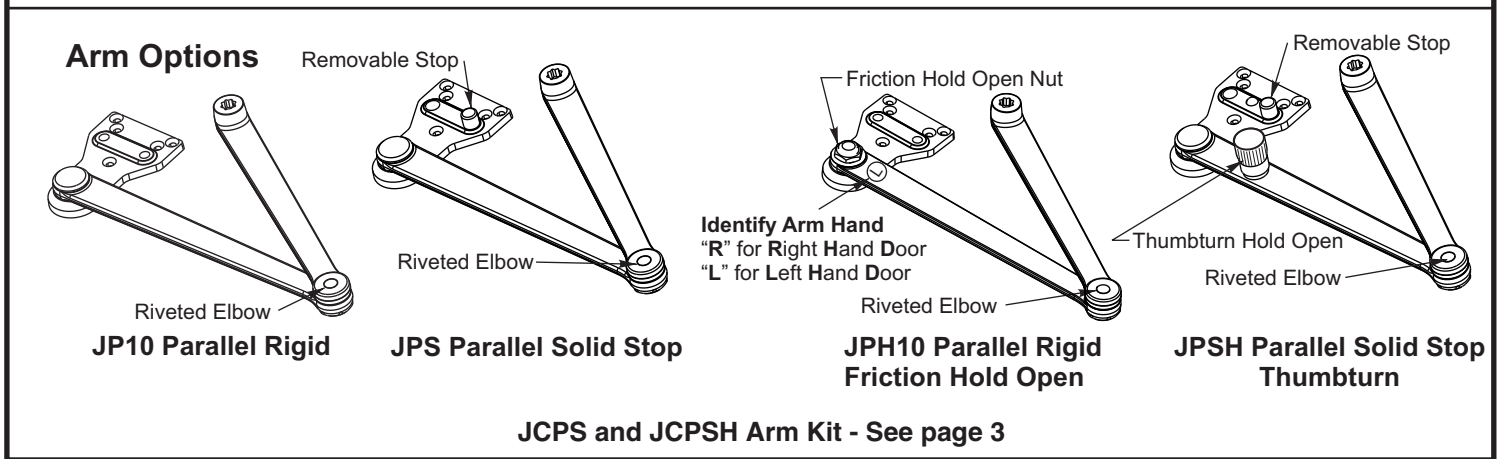
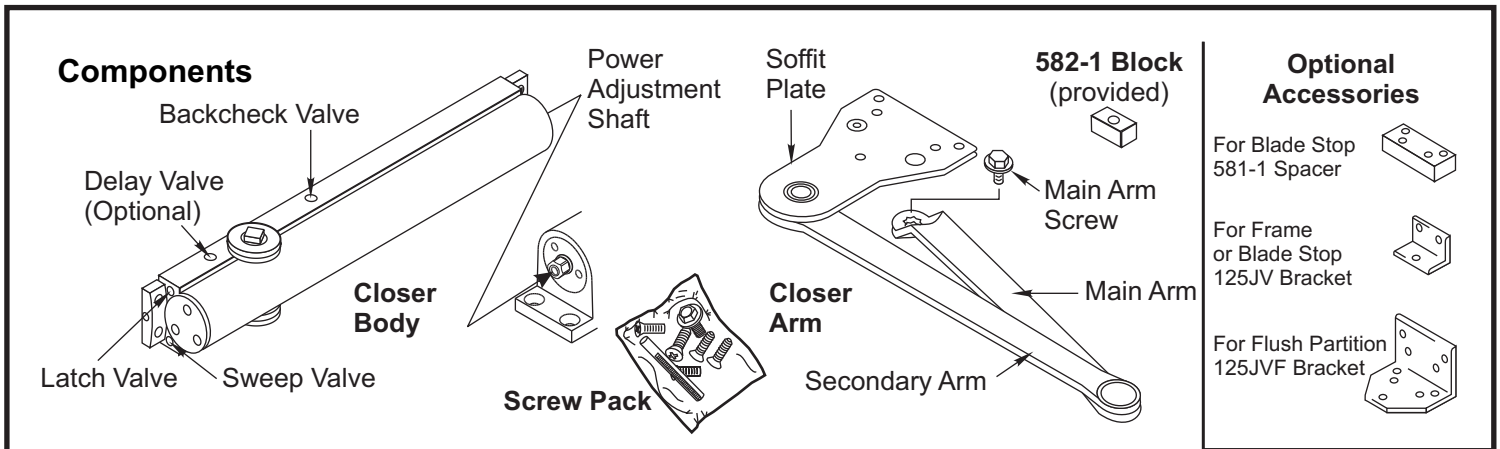


**Flush Partition Installation**

Closer mounts on opposite to hinge (push) side of door. 1331JCPSH illustrated.  
125JV accessory required for this application (supplied separately).

See Pages 3 and 4





Preparation for Fasteners			
	Fasteners	Door or Frame	Drill-Sizes
Standard	Self-Drilling Screw	Aluminum or Metal	No drill required
		Wood (see Note)	3/16" (4.30 mm) (pilot hole required)
	1/4" - 20 machine screw	Metal	Drill: #7 (0.201" dia.) Tap: 1/4" - 20
Optional	Sleeve nuts and bolts	Hollow Metal	9/32" (7 mm) through; 3/8" (9.5 mm) door face opposite to closer
		Aluminum or Wood	3/8" (9.5 mm) through
	Through-bolts and grommet-nuts	All	9/32" (7 mm); 3/8" (9.5 mm) dia. x 3/8" (9.5 mm) deep on door opposite to closer

**Note:** Pilot hole required when using self-drilling screws for wood door/frame applications.

### Assembly Instructions

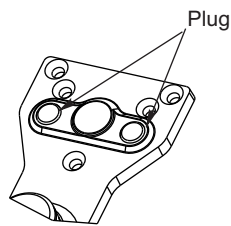
#### JP10 conversion:

- Determine hand of arm required and remove appropriate hole cap.
- Position spring buffer assembly on soffit plate and using 5/32" hex wrench provided, thread assembly to soffit plate.

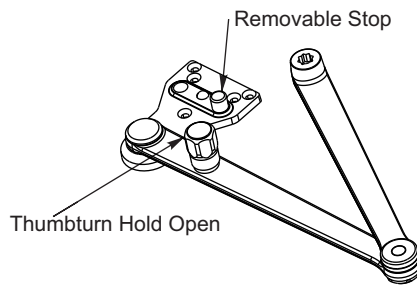
#### JPS and JPSH conversion:

- Remove stop from existing plate using 5/32" wrench provided.
- Position spring buffer assembly on soffit plate and thread assembly to soffit plate using the 5/32" hex wrench.

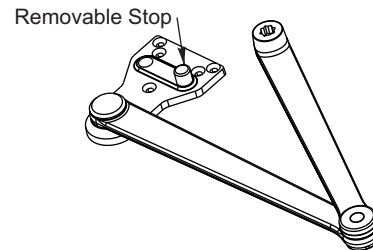
Spring stop to be used with these arm assemblies:



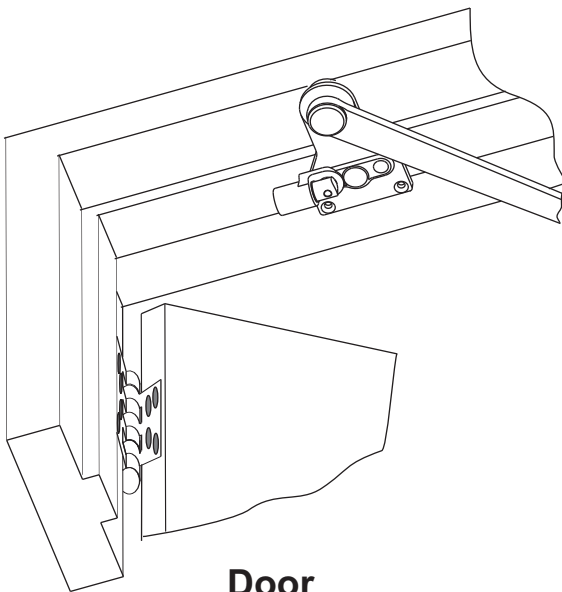
**Soffit Plate**



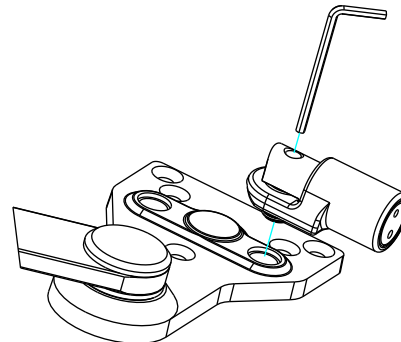
**JPSH Arm Assembly  
with Thumbturn**



**JPS Arm Assembly  
Stop only**



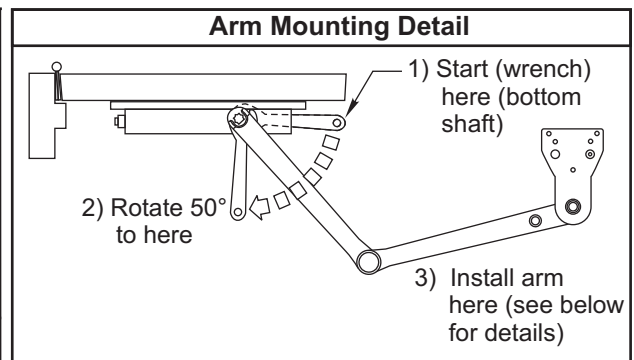
**Door  
(Left Hand Shown)**



Where severe or abusive conditions are expected a separate door stop, supplied by others, is recommended to assist in preventing damage to the door closer, closer arm; or to the door, frame or adjacent walls.

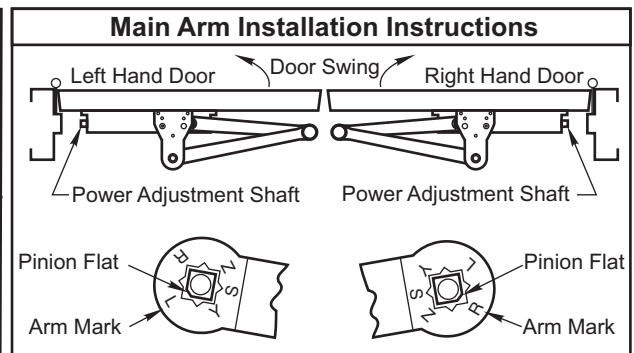
- Select angle of opening and use dimensions shown on Page 4 and Dimension Chart below to locate 4 holes on stop side of door for closer body (or 1331-D drop plate, only if required, see page 5) and 5 holes on stop and/or rabbet for Soffit Plate. For applications not covered in these instructions, a separate template will be required.
- Prepare door and frame for fasteners. See “Preparation for Fasteners”, Page 2.
- Set approximate closer power for door size using Power Adjustment Chart below. Use 5/16" wrench to adjust Power Adjustment Shaft (set at 8 turns from factory) 20 turns maximum. Turn nut **CLOCKWISE** to **Increase**, **COUNTER-CLOCKWISE** to **Decrease** power. See Page 6 for the illustration of this step.
- Mount 1331-D Drop plate ... only if required (see Page 5).
- Install closer with **power adjustment shaft toward hinge edge of door**.
- For JP10H arm only, check that hand of arm matches hand of door. See arm illustration on page 2 for location of arm handing mark.
- With door closed, closer valves ‘S’ and ‘L’. Then with a wrench, turn pinion shaft 50° or more to permit proper alignment of **arm mark** with **pinion flat** - ‘L’ for **Left** hand door. ‘R’ for **Right** hand door. See **Arm Mounting Detail** and **Main Arm Installation** at right below. (**Caution: Closer arm is under spring tension and may be difficult to rotate.**)
- Reopen valves ‘S’ and ‘L’ by turning counter clockwise.
- With door closed, align soffit plate with mounting holes in frame. Fasten soffit plate to frame with flat head screws provided.... use spacer blocks 582-1 or 581-1, if required. (**Caution: Closer arm is under spring tension and may be difficult to rotate.**)
- Make closer adjustments (see page 6) before installing cover  
**NOTE: DO NOT** back valves out of closer or a leak will result.
- Install cover (see page 6).

Installation Dimensions Chart									
	Dim	85°-90°	90°-95°	95°-100°	100°-105°	105°-110°	110°-115°	115°-120°	120°-180°
JP10 JPH10	A in. (mm)	3-3/4 (95)						1-1/4 (32)	
	B in. (mm)	9-1/2 (241)						7 (178)	
JPS JPSH	Butt Hinges or Offset Pivots	A in. (mm)	5-1/2 (140)	4-3/4 (121)	4 (102)	3-3/8 (86)	2-3/4 (70)	2-1/8 (54)	
		B in. (mm)	11 (279)	10-1/4 (260)	9-1/2 (241)	8-7/8 (225)	8-1/4 (210)	7-5/8 (194)	
JCPS JCPSH	Center Pivots	A in. (mm)	5-3/8 (137)	4-5/8 (117)	3-7/8 (98)	3-1/4 (83)	2-5/8 (67)	2 (51)	
		B in. (mm)	10-7/8 (276)	10-1/8 (257)	9-3/8 (238)	8-3/4 (222)	8-1/8 (206)	7-1/2 (191)	

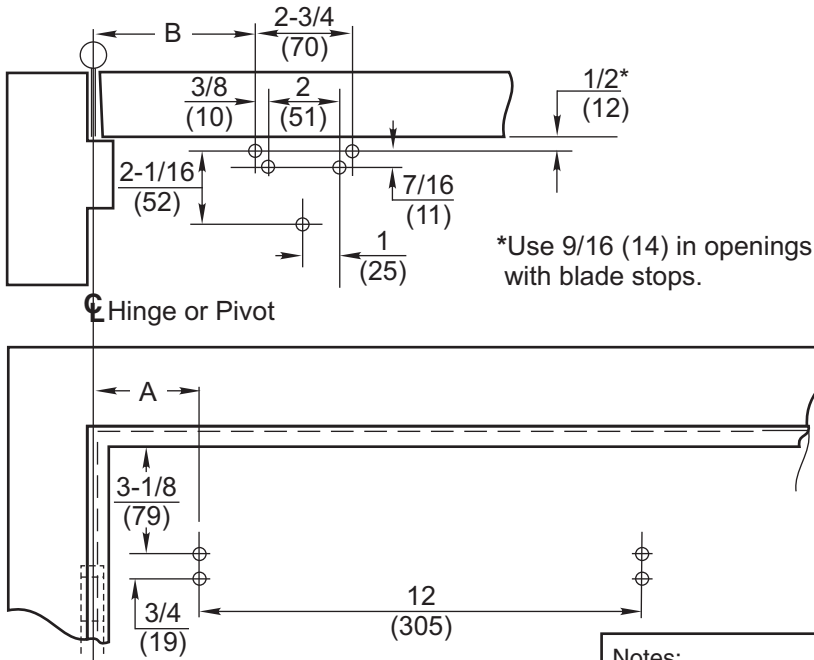


Power Adjustment Chart					
	Full Clockwise Turns of Closer Power Adjustment Shaft	Door Size			
		28-32 in 0.7-0.8 m	33-36 in 0.85-0.9 m	37-42 in 0.95-1.05 m	43-48 in 1.1-1.2 m
JP10 / JPH10	Interior	7	10	13	16
	Exterior	9	12	15	18
JPS / JPSH JCP / JCPSH	Interior	9	11	13	15
	Exterior	10	12	14	16

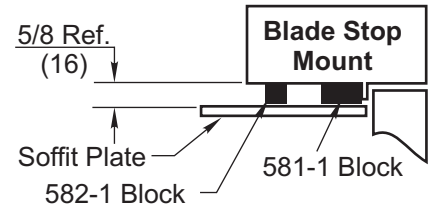
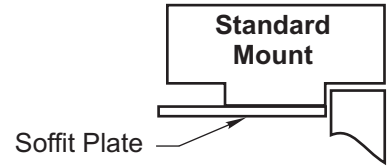
NOTE: Maximum of 20 turns (360°) of Power Adjustment Shaft. Closer is shipped set at mid power setting.



# Standard Frame

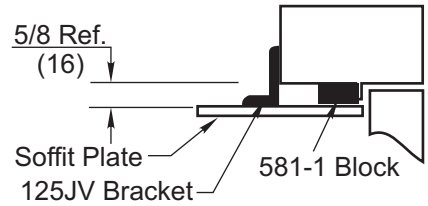
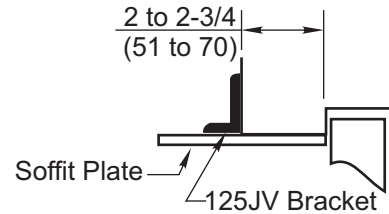
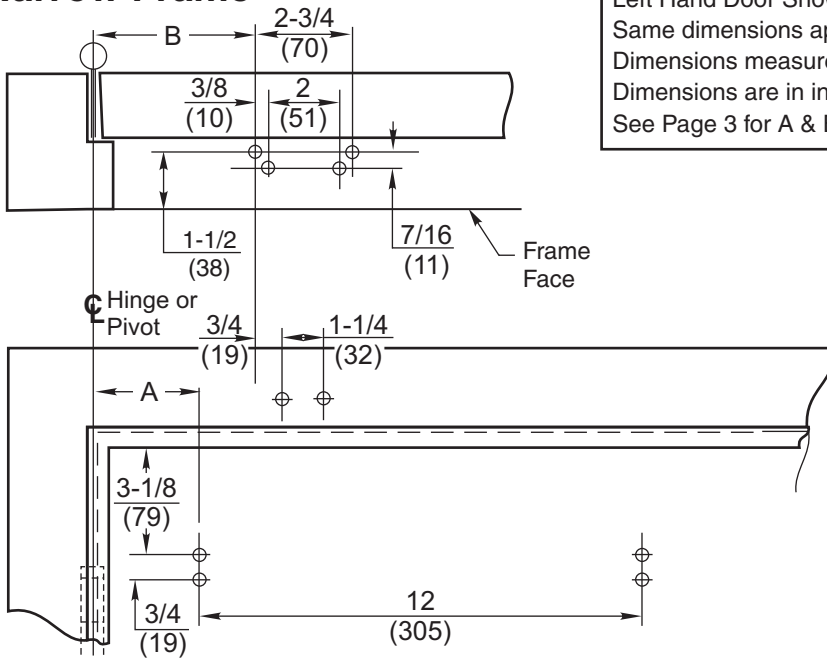


**SARGENT®**  
**ASSA ABLOY**

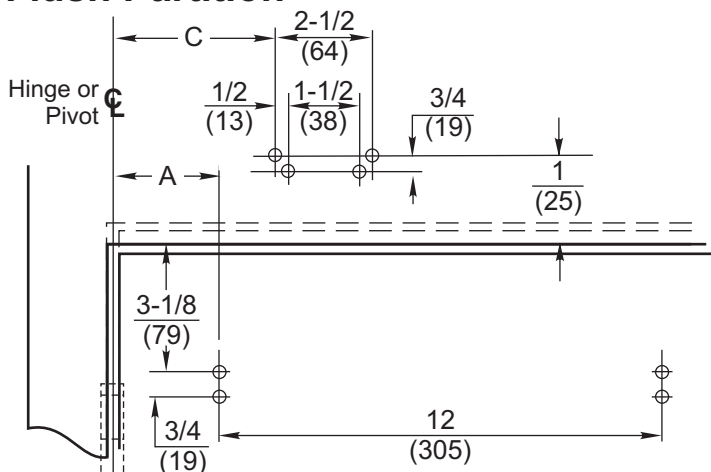


**Notes:**  
Do Not Scale Drawings.  
Left Hand Door Shown in all views.  
Same dimensions apply for Right Hand  
Dimensions measured from centerline of pivot point.  
Dimensions are in inches (mm).  
See Page 3 for A & B dimension values.

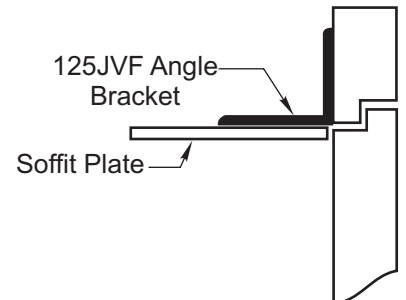
# Narrow Frame



# Flush Partition



Door Opening	Dim C
85°	11-1/8 (282.6)
90°	10-3/8 (263.5)
95°	9-5/8 (244.5)
100°	9-0 (228.6)
105°	8-3/8 (212.7)
110°	7-3/4 (197)

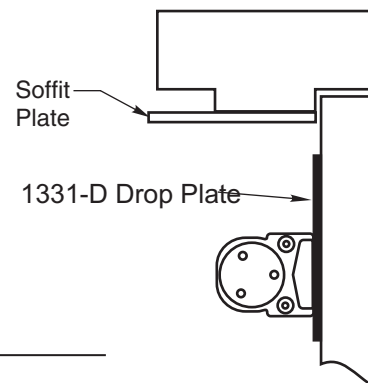
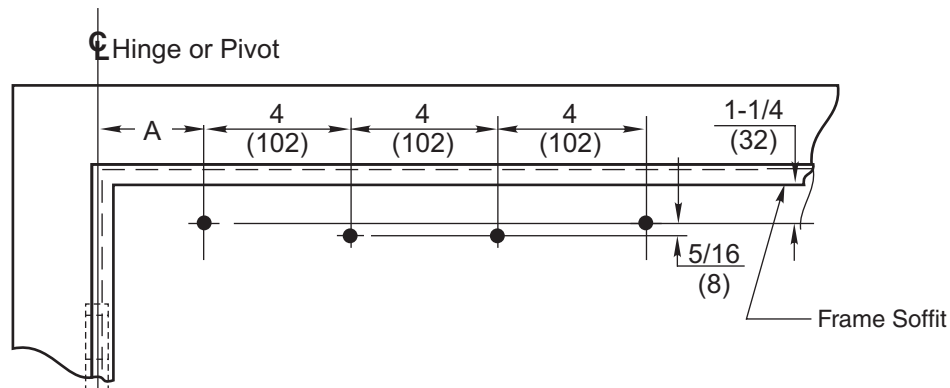


# 1331-D Drop Plate Mounting Holes

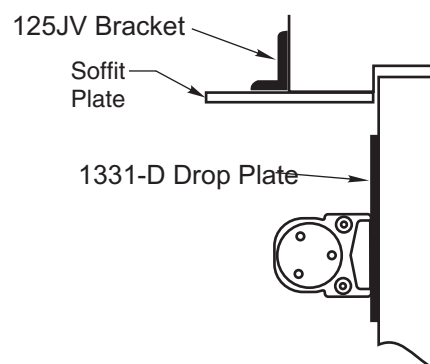
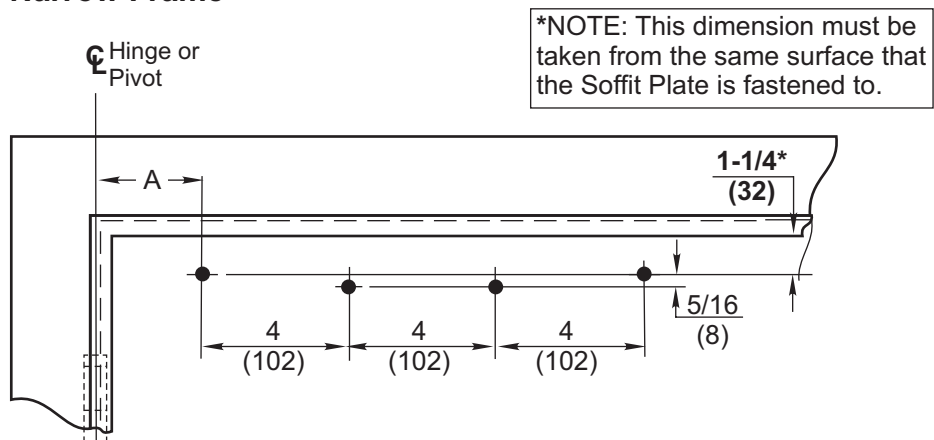
**SARGENT®**

**ASSA ABLOY**

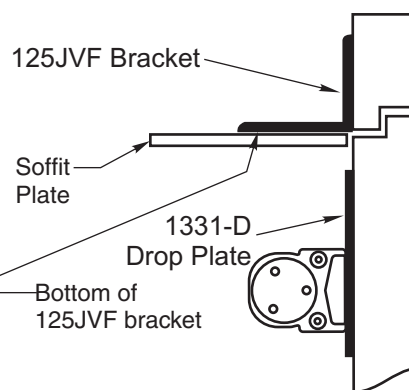
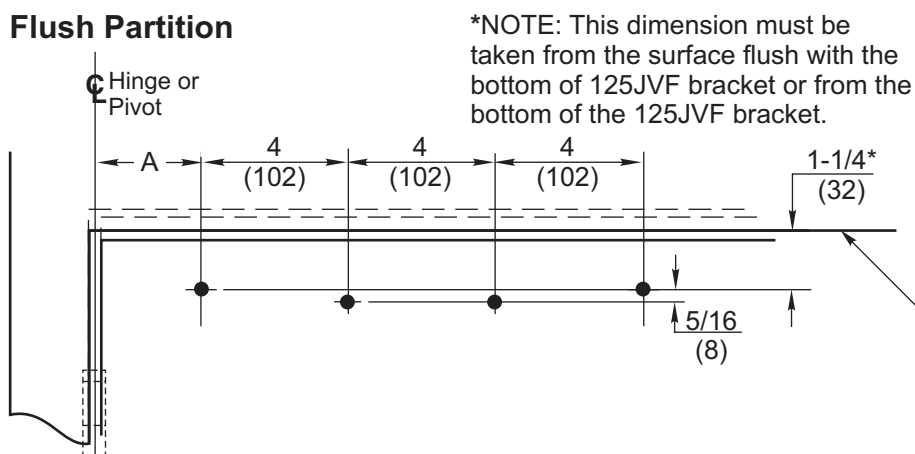
## Standard Frame



## Narrow Frame



## Flush Partition



## Thumbturn Hold-Open Feature (JPSH and JCP SH)

The Thumbturn Hold-Open feature is controlled by the knob located on the arm of the unit. Turning this knob clockwise will engage the Hold-Open mechanism and increase the Hold-Open force. Turning this knob counterclockwise will reduce the Hold-Open force and disengage the Hold-Open mechanism.



## Friction Hold-Open Feature (JPH10)

Hold door open to opening angle desired and tighten holder-adjustment-nut (wrench supplied) or use 1" Box or Open End wrench.



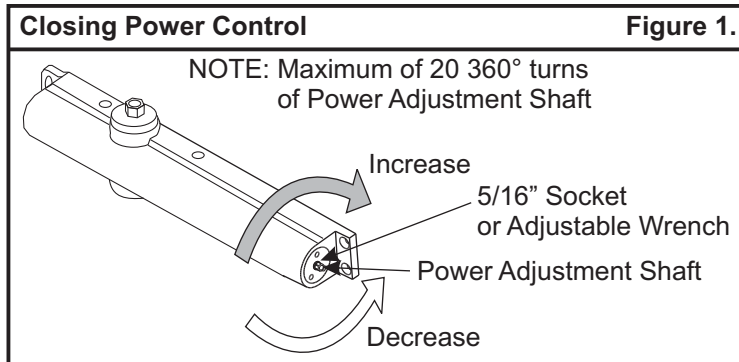
Copyright © 2013 Sargent Manufacturing Company, an ASSA ABLOY Group company. All rights reserved. Reproduction in whole or in part without the express written permission of Sargent Manufacturing is prohibited.

A8160A

## Unit Adjustment

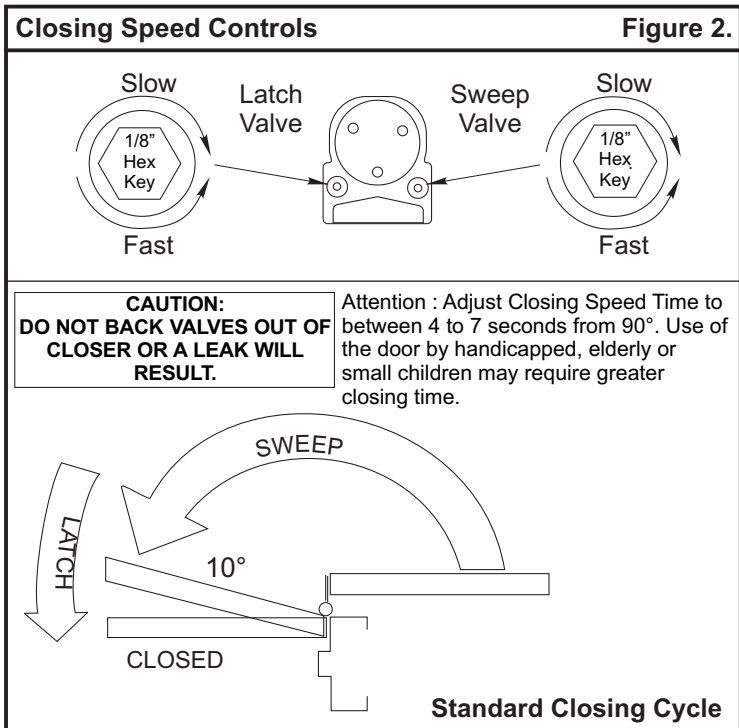
### Closing Power Adjustment

Using "Power Adjustment Chart" from Page 3, select the correct number of turns for power adjustment shaft that corresponds with the installation. Rotate adjustment shaft full 360° clockwise turns to desired setting. After closer has been installed and proper adjustments made to the sweep and latch, it may be necessary to re-adjust spring power for good closing action.



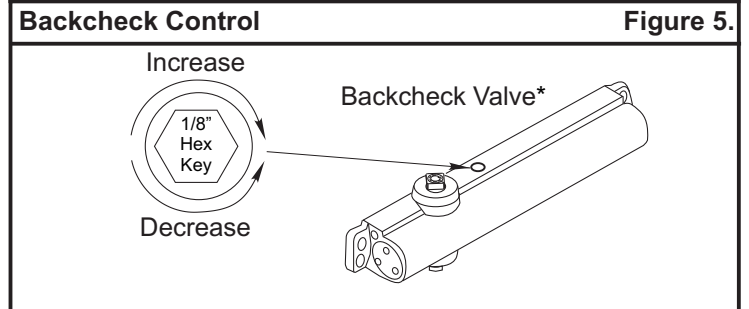
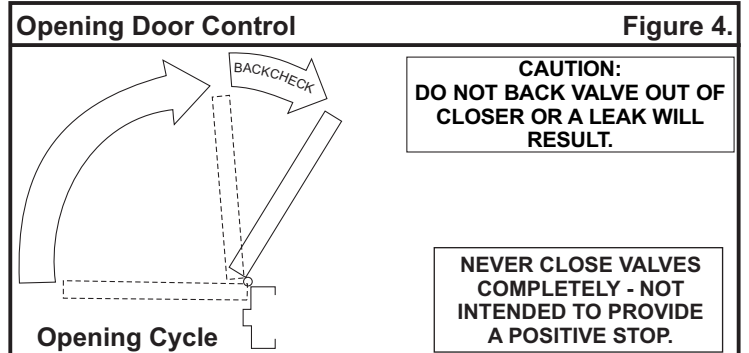
### Closing Speed Controls (Figure 2.)

Valve "S" Controls Sweep Range.  
Valve "L" Controls Latch Range.



### Opening Cycle

"Backcheck" valve controls the strength of cushioning in Backcheck Range. NEVER close this valve completely – it is not to provide a positive stop. (see Figure 4 and Figure 5).



**Cover**– Slide cover insert into the un-used cutout in cover. Install cover using screws provided.

