

**SARGENT® 1331 DOOR CLOSER INSTALLATION
INSTRUCTIONS WITH FOLLOWING ARM SETS:
JH, JHZ and JPH9
Strength Adjustment From Size 1 Through 6.**

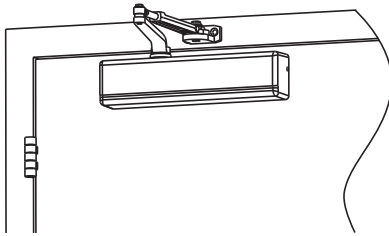
**SARGENT®
ASSA ABLOY**

CAUTION: FAILURE TO INSTALL OR ADJUST PROPERLY MAY
RESULT IN INJURY OR DAMAGE

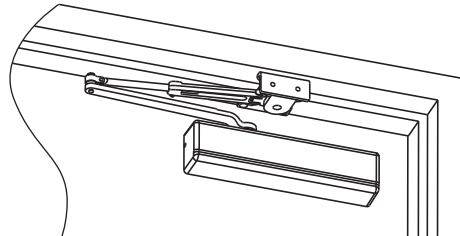
FOR ASSISTANCE, CALL SARGENT AT 1-800-727-5477 or
www.Sargentlock.com

**NOTE: These installation instructions to be used for
product manufactured on or after Nov. 1, 2013. Date
Code: KU and shipped with arms shown on
template pages. See page 6 for date code location.**

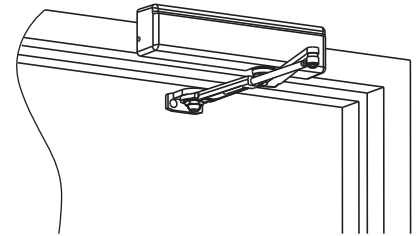
Choose From 1 of 3 Applications



JH Arm (Regular Arm)
Right hand (RH) door shown.
Left hand reverse (LHR)
See page 2

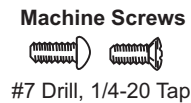
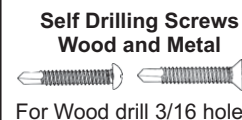
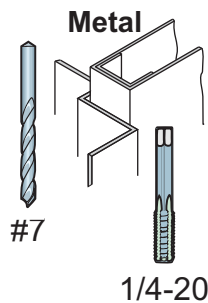
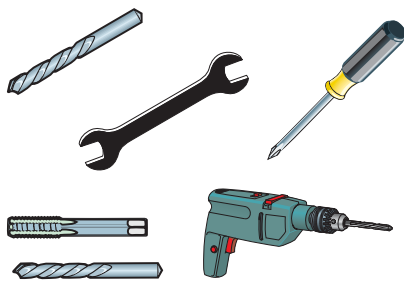


JPH9 Arm (Regular Arm)
Right hand (RH) door shown.
Left hand reverse (LHR)
See page 3



JH Arm (Top Jamb Arm)
Right hand (RH) door shown.
Left hand reverse (LHR)
See page 5

- Doors should be hung on ball bearing or anti-friction hinges.
- A separate door stop is recommended.
- Door and frame must be properly reinforced.
- Always adjust spring power before adjusting control.
- Adjust closing time speed between 3 and 7 seconds from 90° to 0°. Greater closing times may be required ADA.
- These door closers should NOT be installed on the exposed side (weather side) of exterior doors
- **NOTE:** For special applications a separate door and frame preparation template is packed with these instructions. Use this instruction sheet for installation sequence and closer adjustments only.



(Optional)

Sleeve Nut and Bolt

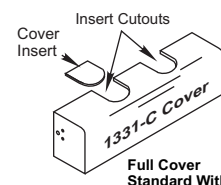
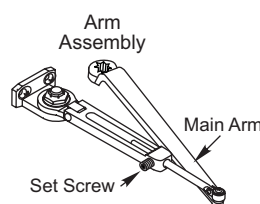
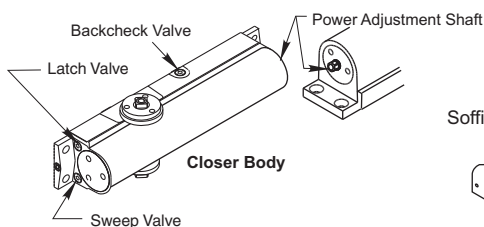


Drill 9/32 thru from Closer Side
3/8 Drill other side

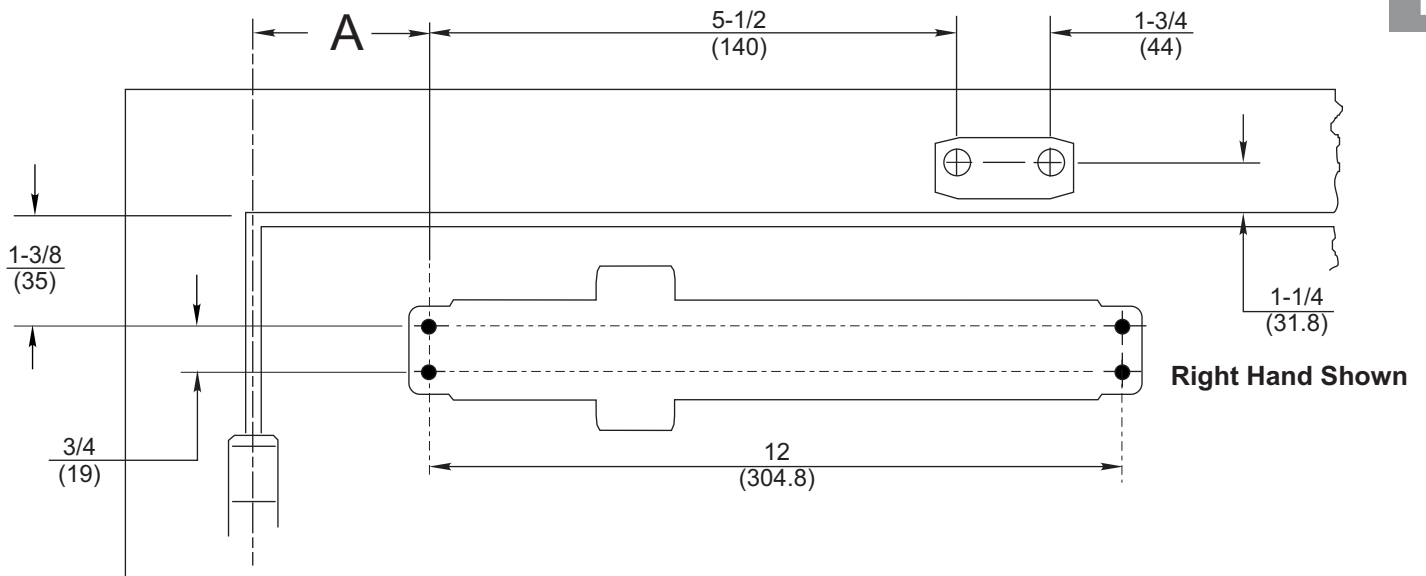
Thru Bolt and Grommet Nut



Drill 9/32 thru from Closer Side
3/8 Drill other Side

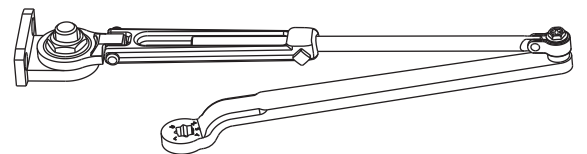


1



Opening	Dimension "A"
To 100°	7-1/2 (191)
101° to 130°	6 (152)
131° to *180°	4-1/2 (114)

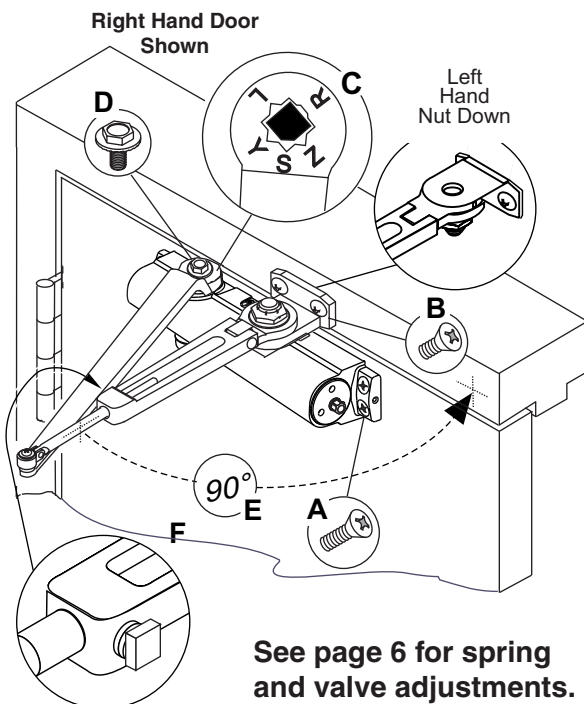
* Door/Wall/Hardware/Jamb conditions permitting



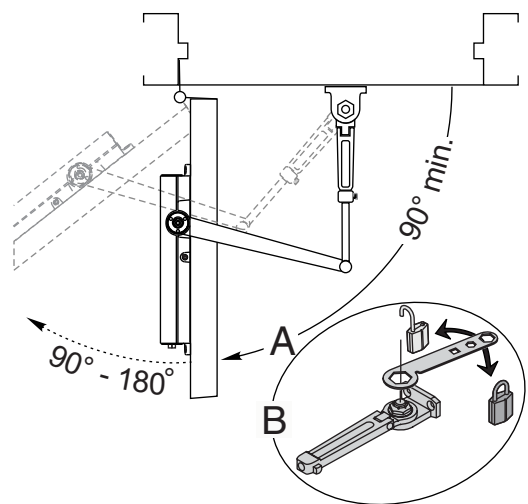
NOTE: These installation instructions to be used for product manufactured on or after Nov. 1, 2013. Date Code: KU Shipped with arm as shown.

Installation Sequence

2





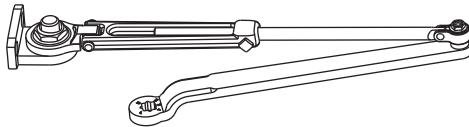
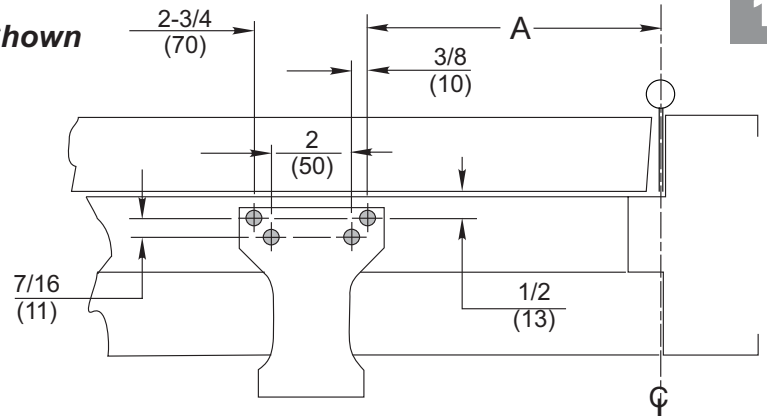
Set Hold Open



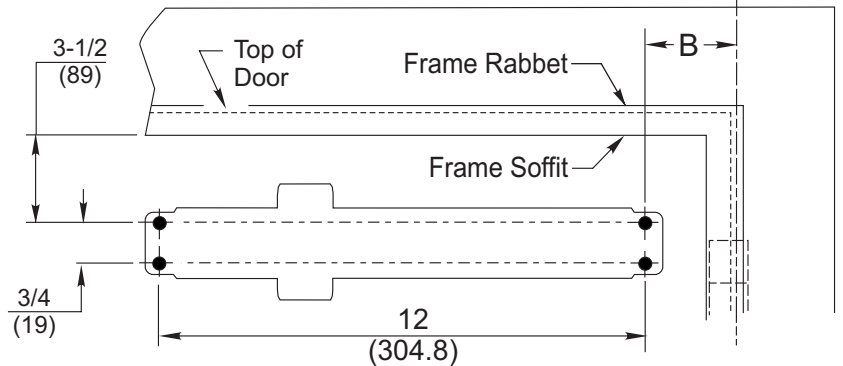
1

Right Hand Shown

Door Opening	A 	B 
To 120°	9-1/2 (241)	3-3/4 (95)
*121° to 180°	7 (178)	1-1/4 (32)

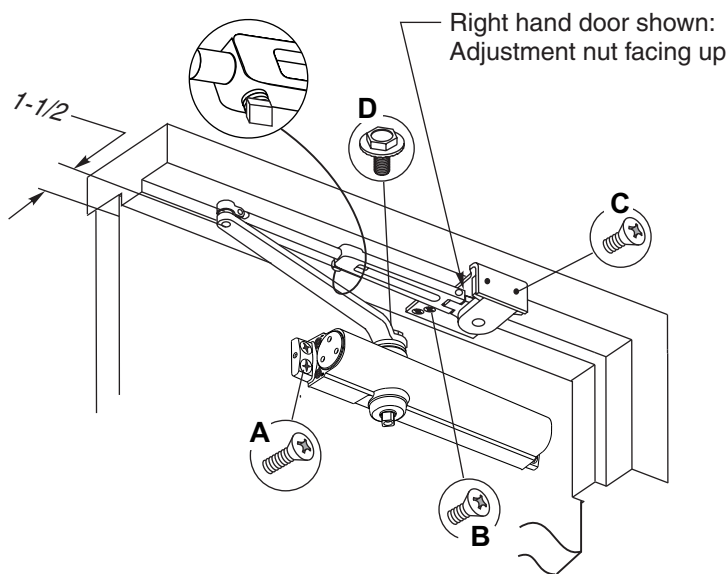


NOTE: These installation instructions to be used for product manufactured on or after Nov. 1, 2013. Date Code: KU Shipped with arm as shown.



Installation Sequence

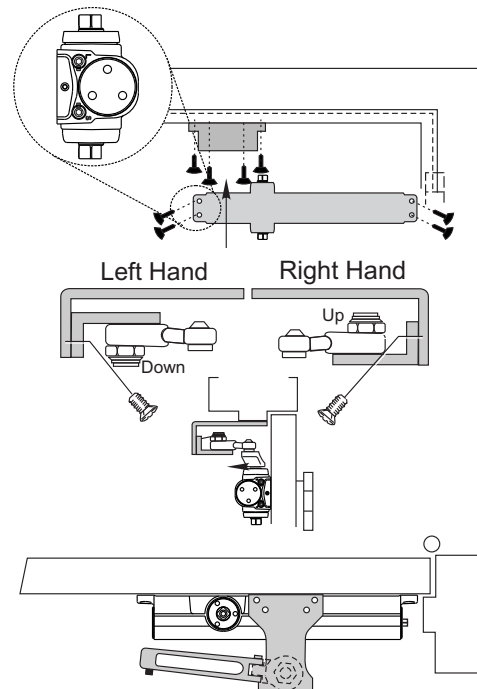
2



For Left hand door, Adjustment nut must face down.

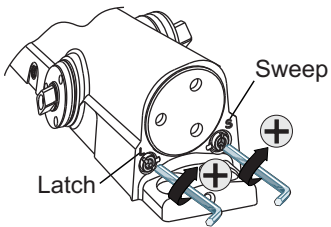
Install Closer and Bracket

3



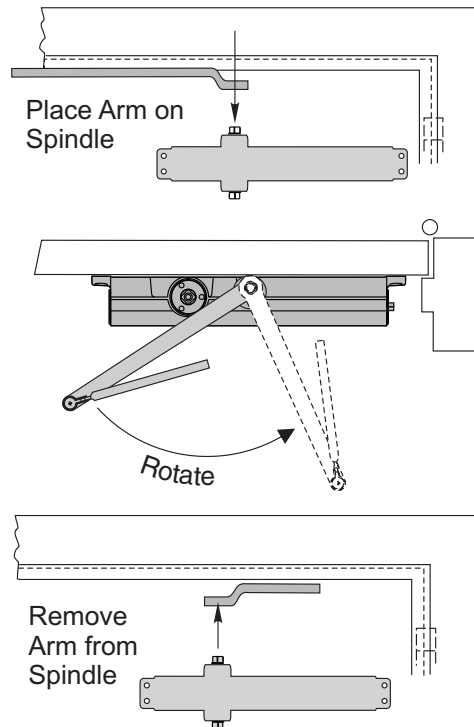
4 Close Valves

4



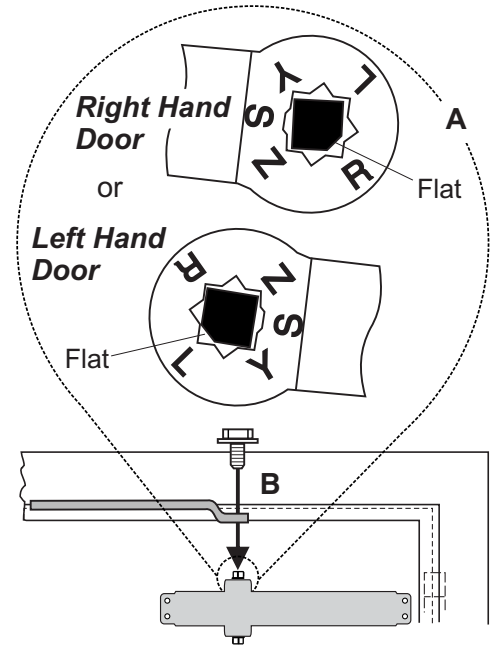
5 Preload Closer

5



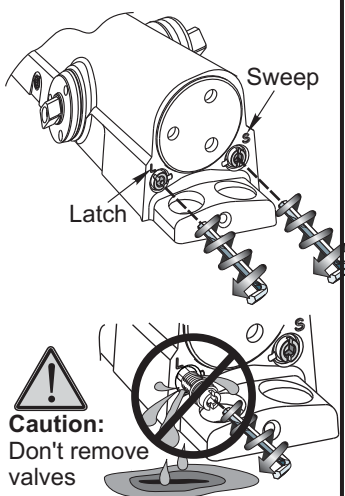
6 Attach Arm With Proper Timing

6



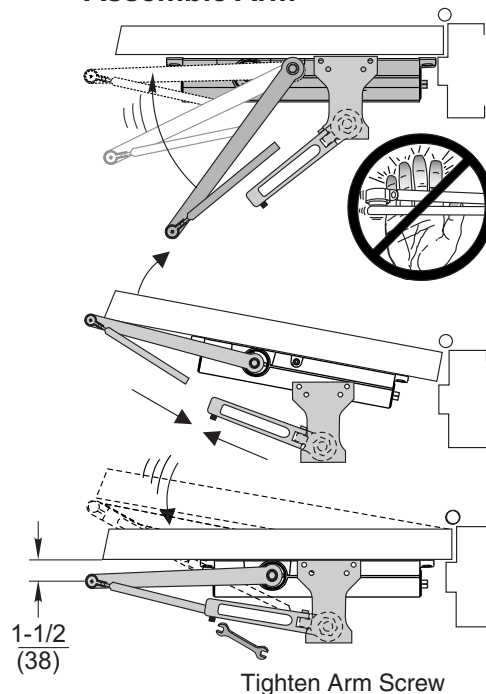
7 Open Valves

7



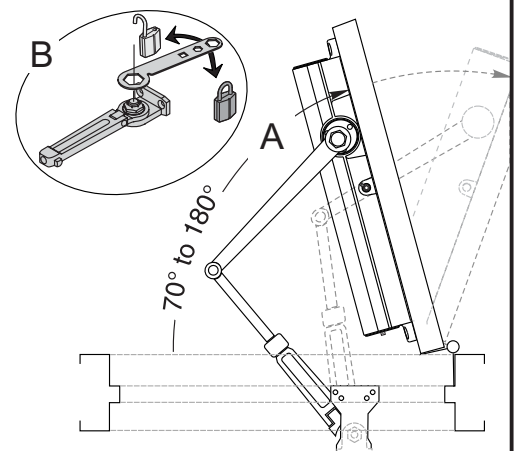
8 Assemble Arm

8



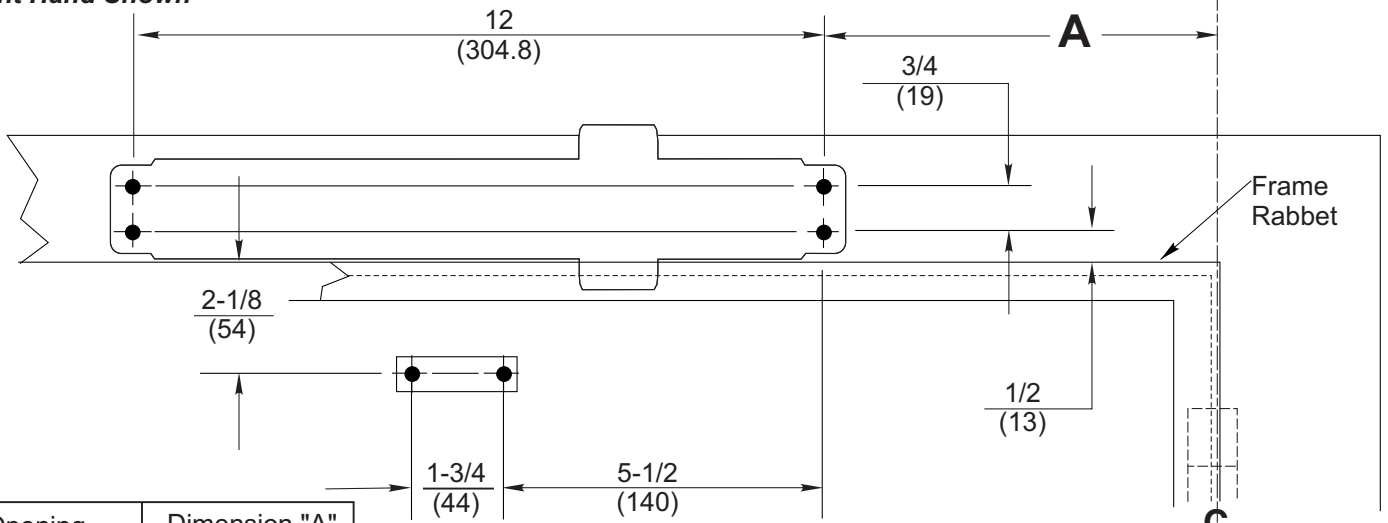
9 Set Hold Open

9



See page 6 for spring and valve adjustments.

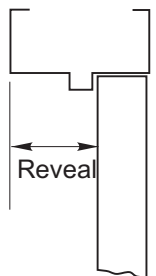
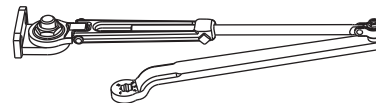
Right Hand Shown



Opening	Dimension "A"
To 100°	7-1/2 (191)
101° to 130°	6 (152)
131° to *180°	4-1/2 (114)

Arm	Reveal
JH	To 3-0 (76)
JHZ	2-3/4 (70) to 6-3/4 (171.5)

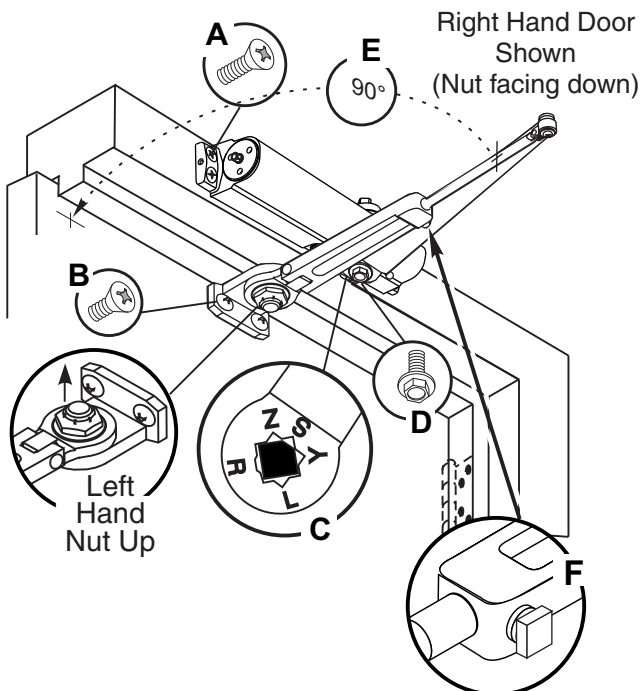
NOTE: These installation instructions to be used for product manufactured on or after Nov. 1, 2013. Date Code: KU Shipped with arm as shown.



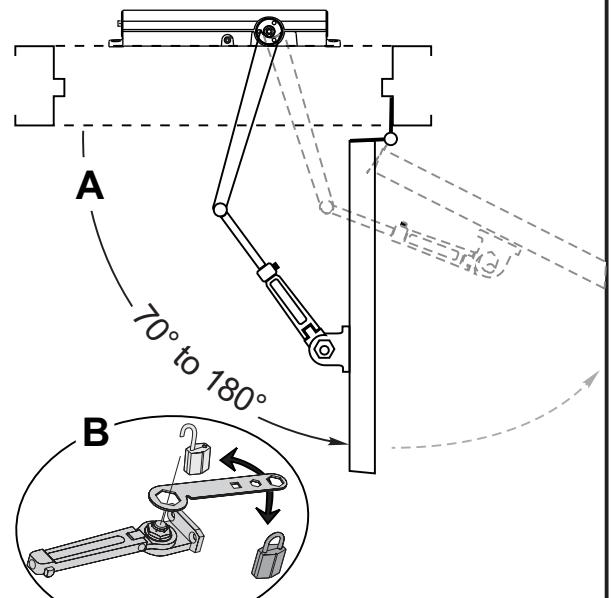
* Door/Wall/Hardware/Jamb conditions permitting

Installation Sequence

2



Set Hold Open



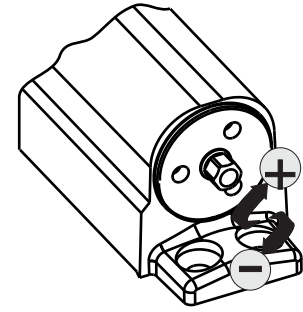
Spring Power Adjust

SARGENT®

ASSA ABLOY

Adjustment Chart				Number of Turns Required			
DOOR	TYPE OF INST.	*	★	MAXIMUM DOOR SIZE			
				32" (0.85M)	36" (0.90M)	42" (1.00M)	48" (1.20M)
8100/8300/8500	INTERIOR	Regular Arm Top Jamb	FULL 360° TURNS OF 5/16 POWER ADJUSTMENT WRENCH	5	8	11	13
		Parallel Arm		7	10	13	16
	EXTERIOR	Regular Arm Top Jamb		7	10	13	16
		Parallel Arm		9	12	15	18

1



*20 FULL (360°) TURNS MAXIMUM AVAILABLE
Closer is shipped set at mid range setting = 10 turns



The closing force is adjustable from a size 1 to a size 6, as outlined in ANSI Standard A156.4. When these series of door closers are installed and adjusted to conform to ADA reduced opening force requirements (5 lbs max.) for interior doors, they may not have adequate closing force to reliably close and latch the door. Power adjustments charted on this page are recommended where possible, to ensure proper door control.



By law the Americans with Disabilities Act (ADA) may require that door closer installation comply with accessibility guidelines.

Valve Adjustments

2

Sweep

3

Latch

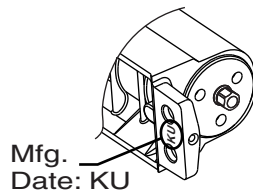
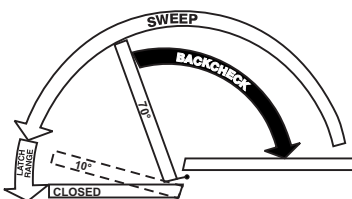
4

Backcheck

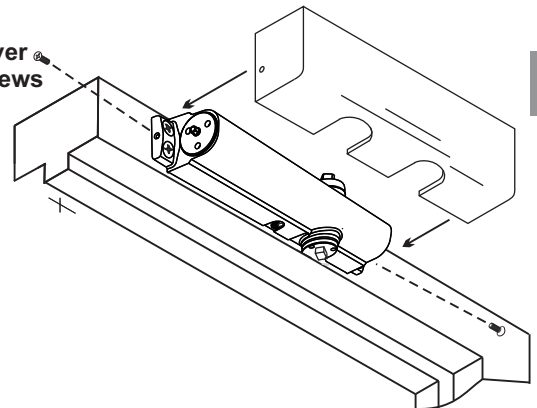
Caution:
Don't completely close valve



Adjust Closing Speed Time to between 3 to 7 seconds from 90°. Use of the door by handicapped, elderly or small children may require greater closing time.



2 Cover Screws



5