

# Parts Manual

**Prices effective April 1, 2015**

**[adamsrite.com](http://adamsrite.com)**

ASSA ABLOY, the global leader in door opening solutions



# Table of Contents

---

## Deadlocks

MS1850S Series MS® Deadlock	4
MS1850 Series MS® Accessories	6
2331 Heavy Duty Deadlock	8
4189/4190 Flush Locksets	10
4430/4431 Flush Locksets	12

## Deadlatches

4781 Two-Point Deadlatch with Paddle	14
4900 Heavy Duty Deadlatch	16

## Exit Devices

3100 Series Surface Vertical Rod Exit Device	18
3300 Series Mortise Exit Device	20
3600 Series Concealed Vertical Rod	22
3700 Series Rim Exit Device	24
3889 Mullion	26
3890 Mullion	28
3900/8900 Series Concealed Vertical Rod	30
8099/8099M Dummy Pushbar	32
8100 Series Surface Vertical Rod	34
8200 Series Surface Vertical Rod	36
8300 Series Mortise Exit Device	38
8400 Series Mortise Exit Device	40
8475 Midpanel Mortise Exit Device	42
8500 Series Concealed Vertical Rod	44
8600 Series Concealed Vertical Rod	46
8675 Concealed Vertical Rod	48
8700 Series Rim Exit Device	50
8800 Series Rim Exit Device	52
Accessories for Exit Devices	54

## Electric Strikes

7100 Electric Strike	56
----------------------	----

## Trim

3080 Series Entry Trim	58
eForce®-150 3090 Keyless Entry	60
4550 MS® Deadlock Lever	62
4590 Deadlatch Paddle	64
4591 Deadlatch Paddle	66

## Cylinders

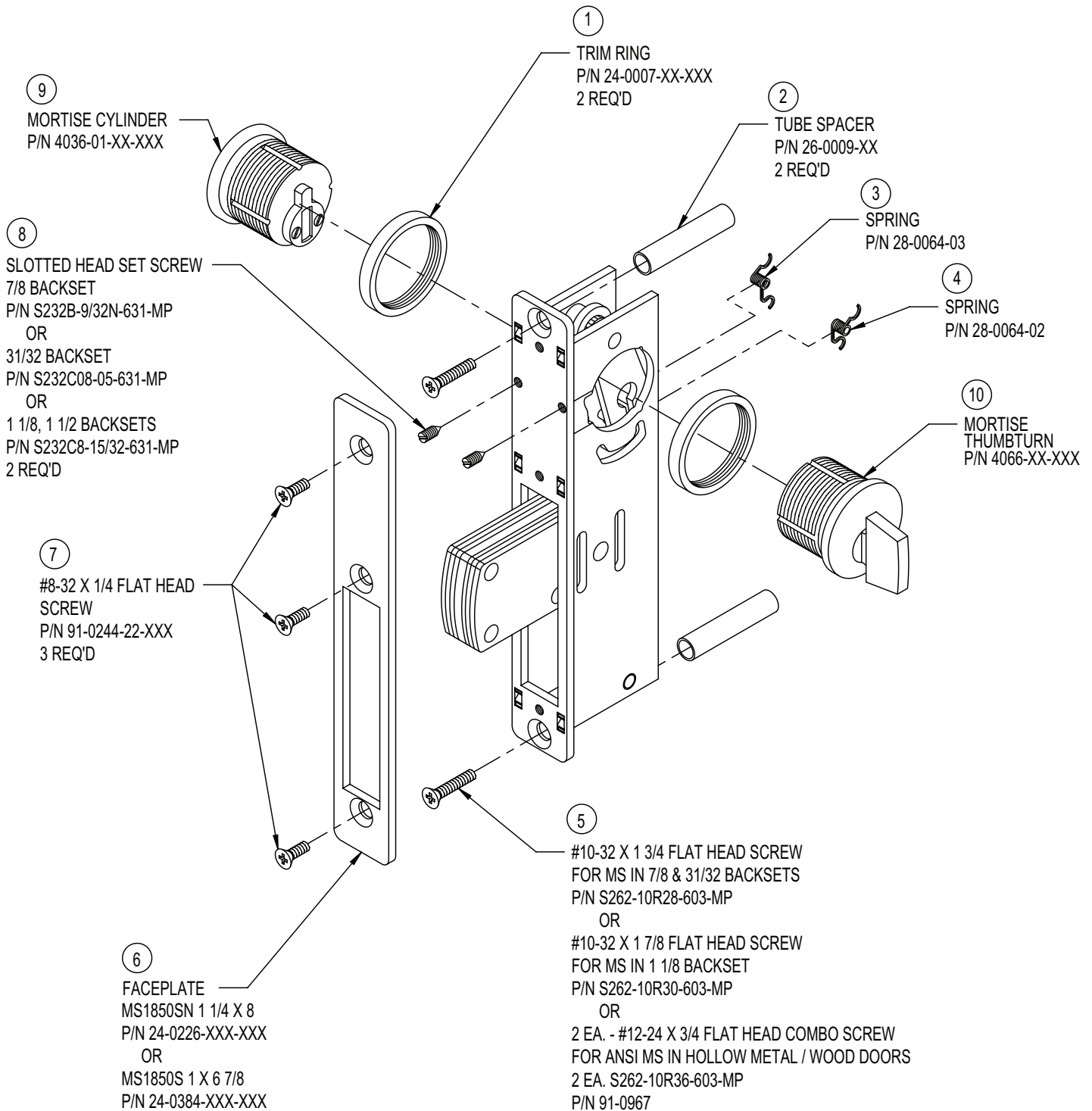
4024/4025/4026 Cylinder Pulls	68
-------------------------------	----

## General Info

Adams Rite Limited Warranty	70
Architectural Finishes	71
Handing of Doors	71

# MS1850S

## SERIES MS® DEADLOCK



# MS1850S

## SERIES MS® DEADLOCK

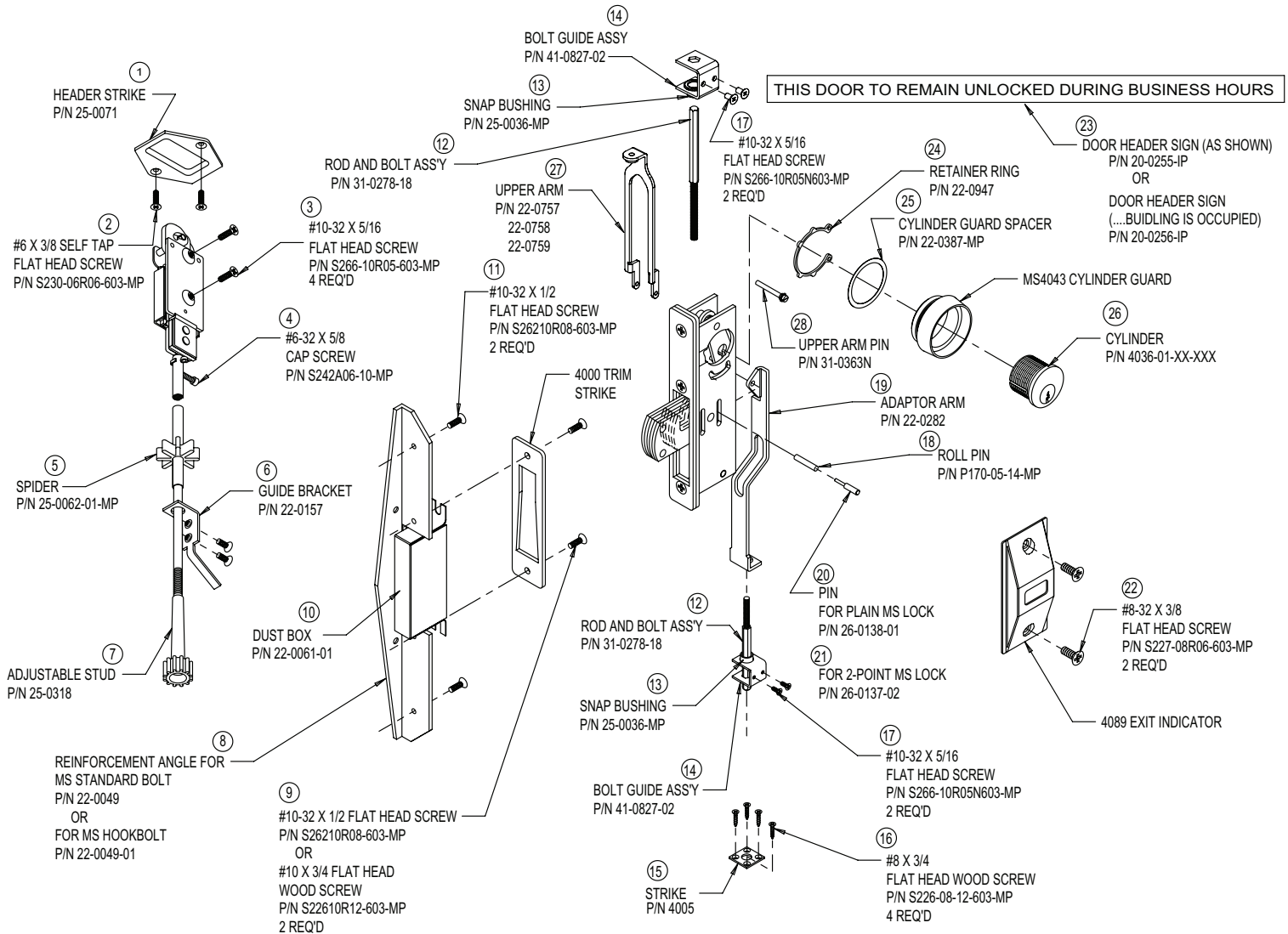
### MS1850S Series MS® Deadlock

ITEM	PART NUMBER	DESCRIPTION	UNITS PKGD	2015 PRICE
1	24-0007-04-XXX	Trim Ring, 1/4", select 313 or 628 finish	Each	\$8.00
	24-0007-09-XXX	Trim Ring, 3/8", select 313 or 628 finish	Each	\$8.00
2	26-0009-44	Tube Spacer 1-3/8"	Each	\$12.00
	26-0009-46	Tube Spacer 1-7/16"	Each	\$12.00
	26-0009-50	Tube Spacer 1-9/16"	Each	\$12.00
	26-0009-52	Tube Spacer 1-5/8"	Each	\$12.00
	26-0009-57	Tube Spacer 1-25/32"	Each	\$12.00
	26-0009-62	Tube Spacer 1-15/16"	Each	\$12.00
	26-0009-64	Tube Spacer 2"	Each	\$12.00
	3	28-0064-03-MP	Spring	Pkg. of 10
4	28-0064-02-MP	Spring	Pkg. of 10	\$4.00
5	S262-10R28-603-MP	#10-32 × 1-3/4 Flat Head Screw (7/8,31/32 Backset)	Pkg. of 10	\$5.00
	S262-10R30-603-MP	#10-32 × 1-7/8 Flat Head Screw (1-1/8 Backset)	Pkg. of 10	\$5.00
	91-0967	#12-24 × 3/4 Flat Head Combo Screw (ANSI Metal/Wood Doors)	Each	\$7.00
6	24-0384-X10- XX	MS1850S Faceplate with Screws 1" × 6-7/8" for Straightbolt	Each	LIST
	24-0384-X20-XXX	MS1850S Faceplate with Screws 1" × 6-7/8" for Hookbolt/Short Bolt	Each	LIST
	24-0226-X10-XXX	MS1850SN Faceplate with Screws 1-1/4" × 8" for Straightbolt	Each	LIST
	24-0226-X20-XXX	MS1850SN Faceplate with Screws 1-1/4" × 8" for Hookbolt/Short Bolt	Each	LIST
7	91-0244-22-XXX	#8-32 × 1/4 Flat Head Screws, select 313, 335, 628 finish	Pkg. of 3	\$5.00
8	S232B8-9/32N-631-MP	#8-32 × 9/32 Slotted Set Screw (7/8 Backset)	Pkg. of 10	\$18.00
	S232C08-05-631-MP	#8-32 × 5/16 Slotted Set Screw (31/32 Backset)	Pkg. of 10	\$8.00
	S232C8-15/32-631-MP	#8-32 × 15/32 Slotted Set Screw (1-1/8, 1-1/2 Backset)	Pkg. of 10	\$8.00
9	4036-01-XX-XXX	Mortise Cylinder	Each	LIST
10	4066-01-XX-XXX	Mortise Thumbturn	Each	LIST
NS	80-0180-5	Installation Instructions, MS1850S/MS1850A	Each	Email only
NS	80-0180-4	Installation Instructions, MS1850SN	Each	Email only

LIST = Refer to current pricelist  
NS = Not shown

# MS1850

## SERIES MS® ACCESSORIES



# MS1850

## SERIES MS® ACCESSORIES

### MS1850 Series MS® Accessories

ITEM	PART NUMBER	DESCRIPTION	UNITS PKGD	2015 PRICE
<b>4085 Header Bolt</b>				
1	25-0071	Header Strike	Each	\$4.00
2	S230-06R06-603-MP	#6-32 × 3/8 Self Tapping Flat Head Screw	Pkg. of 10	\$4.00
3	S266-10R05-603-MP	#10-32 × 5/16 Flat Head Screw	Pkg. of 10	\$4.00
4	S242A06-10-MP	#6-32 × 5/8 Cap Screw	Pkg. of 10	\$4.00
5	25-0062-01-MP	Spider	Pkg. of 10	\$17.00
6	22-0157	Guide Bracket	Each	\$4.00
7	25-0318	Adjustable Stud	Each	\$4.00
<b>4000 Series Strikes</b>				
8	22-0049	Reinforcement Angle, Standard Bolt	Each	\$43.00
	22-0049-01	Reinforcement Angle, Hook Bolt	Each	\$43.00
9	S262-10R08-603-MP	#10-32 × 1/2 Flat Head Screw	Pkg. of 10	\$6.00
	S226-10R12-603-MP	#10 × 3/4 Flat Head Wood Screw	Pkg. of 10	\$4.00
10	22-0061-01	Dust Box (4001)	Each	\$8.00
11	S262-10R08-603-MP	#10-32 × 1/2 Flat Head Screw	Pkg. of 10	\$6.00
<b>4015 Threshold Bolt</b>				
12	31-0278-18	Rod and Bolt Ass'y (Cyl. Ht. 53-7/16 Max)(4016)	Each	\$21.00
13	25-0036-MP	Snap Bushing (4016)	Pkg. of 10	\$16.00
14	41-0827-02	Bolt Guide Ass'y	Each	\$7.00
15	4005	Strike with Screws	Each	LIST
16	S226-08-12-603-MP	#8 × 3/4 Flat Head Wood Screw	Pkg. of 10	\$4.00
17	S266-10R05N-603-MP	#10-32 × 5/16 Flat Head Screw (4016)	Pkg. of 10	\$8.00
18	P170-05-14-MP	Roll Pin	Pkg. of 10	\$4.00
19	22-0282	Adaptor Arm (4015, 1870, 1870HM, MS1837, 1877)	Each	\$25.00
<b>4089 Exit Indicator</b>				
20	26-0138-01	Pin, for Standard MS Deadlock	Each	\$4.00
21	26-0137-02	Pin, for MS Two-Point (MS × 4015)	Each	\$4.00
22	S227-08R06-603-MP	#8-32 × 3/8 Flat Head Screw	Pk. of 10	\$4.00
23	20-2055-IP	Header Sign (...DURING BUSINESS HOURS)	Each	LIST
	20-2056-IP	Header Sign (...BUILDING IS OCCUPIED)	Each	LIST
<b>MS4043 Cylinder Guard</b>				
24	22-0947	Retainer Ring	Each	\$5.00
25	22-0387-MP	Cylinder Guard Spacer	Pkg. of 10	\$13.00
26	4036-01-XX-XXX	Cylinder	Each	LIST
<b>4016 Header Bolt</b>				
27	22-0757	Upper Arm 1-1/8" Backset	Each	\$26.00
	22-0758	Upper Arm 1-1/2" Backset	Each	\$26.00
	22-0759	Upper Arm 31/32" Backset	Each	\$26.00
28	31-0363N	Upper Arm Pin Ass'y	Each	\$4.00

LIST = Refer to current pricelist

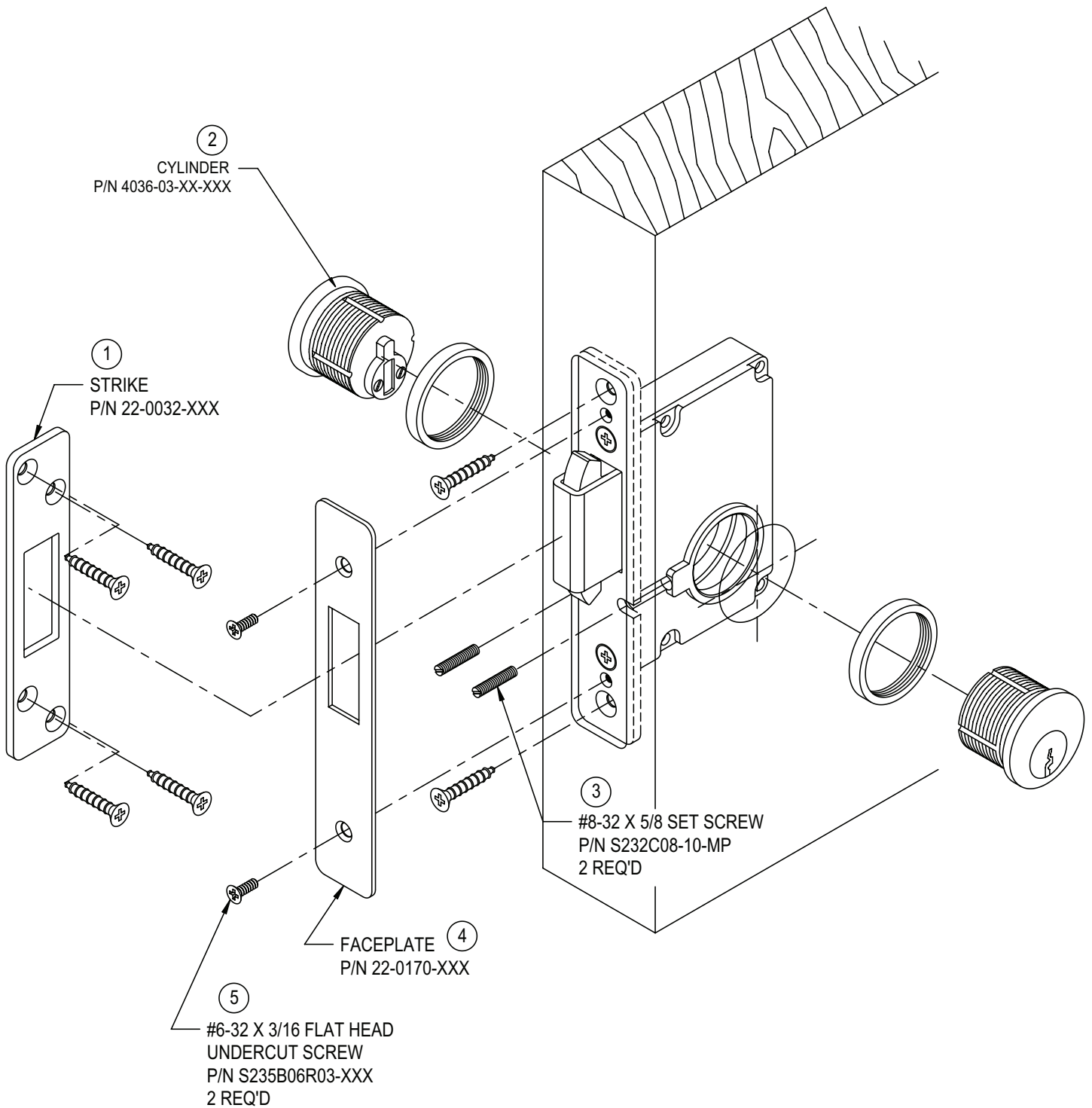
ASSA ABLOY, the global leader in door opening solutions



800.872.3267 • Fax 800.232.7329  
 10027 S. 51st Street, Ste 102  
 Phoenix, Arizona 85044  
[www.adamsrite.com](http://www.adamsrite.com)

# 2331

## HEAVY DUTY DEADLOCK





# 2331

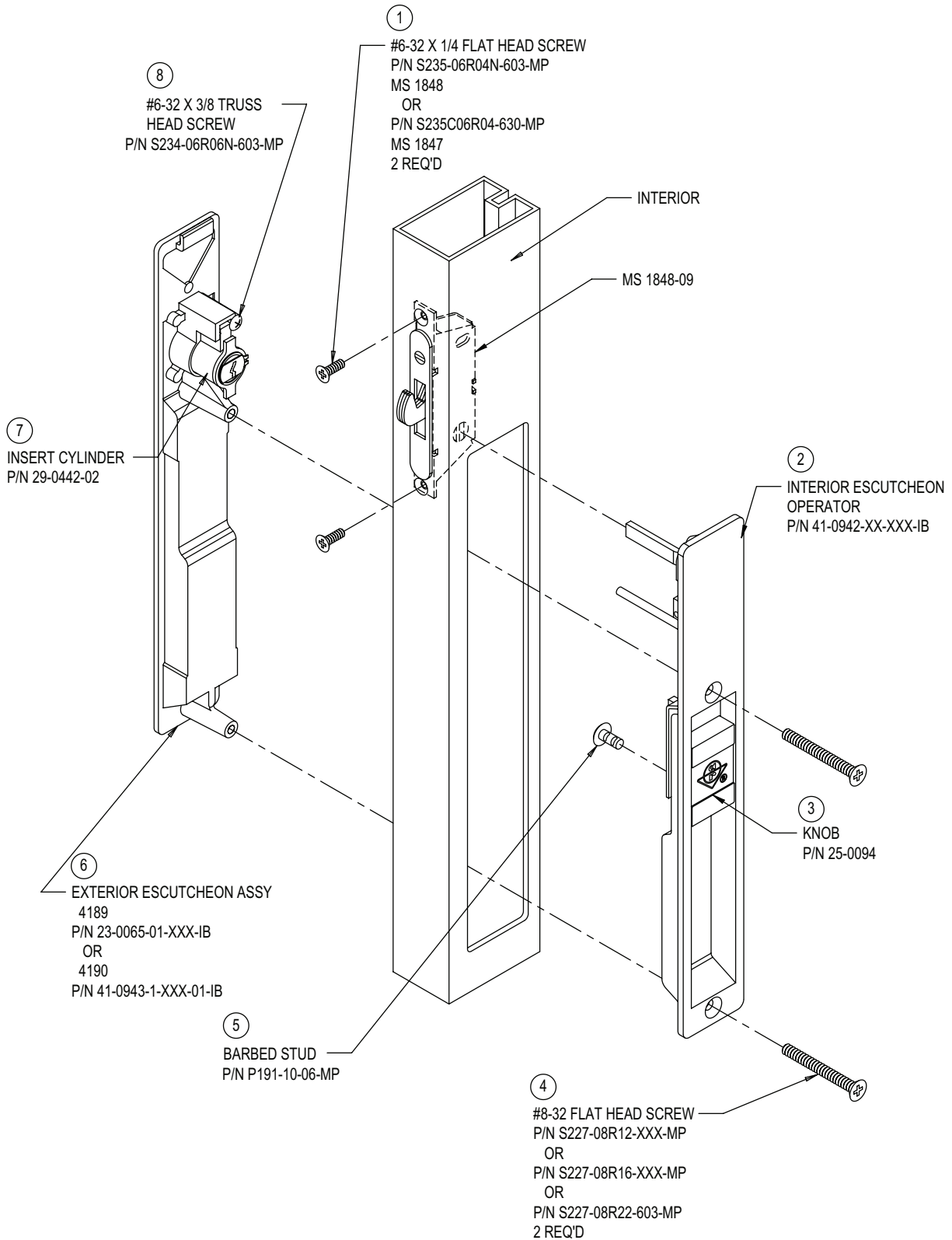
## HEAVY DUTY DEADLOCK

### 2331 Heavy Duty Deadlock

ITEM	PART NUMBER	DESCRIPTION	UNITS PKGD	2015 PRICE
1	22-0032-605	Strike - Bright Brass	Each	\$42.00
	22-0032-625	Strike - Bright Chrome	Each	\$38.00
	22-0032-626	Strike - Satin Chrome	Each	\$35.00
2	4036-03-XX-XXX	Mortise Cylinder	Each	LIST
3	S232C08-10-MP	#8 × 5/8 Set Screw	Pkg. of 10	\$5.00
4	22-0170-605	Faceplate with Screws - Bright Brass	Each	\$42.00
	22-0170-625	Faceplate with Screws - Bright Chrome	Each	\$38.00
	22-0170-626	Faceplate with Screws - Satin Chrome	Each	\$35.00
5	S235B06R03-XXX	#6-32 × 3/16 Flat Head Undercut Screw, select 119 or 121 finish	Each	\$5.00

LIST = Refer to current pricelist

# 4189/4190 FLUSH LOCKSETS



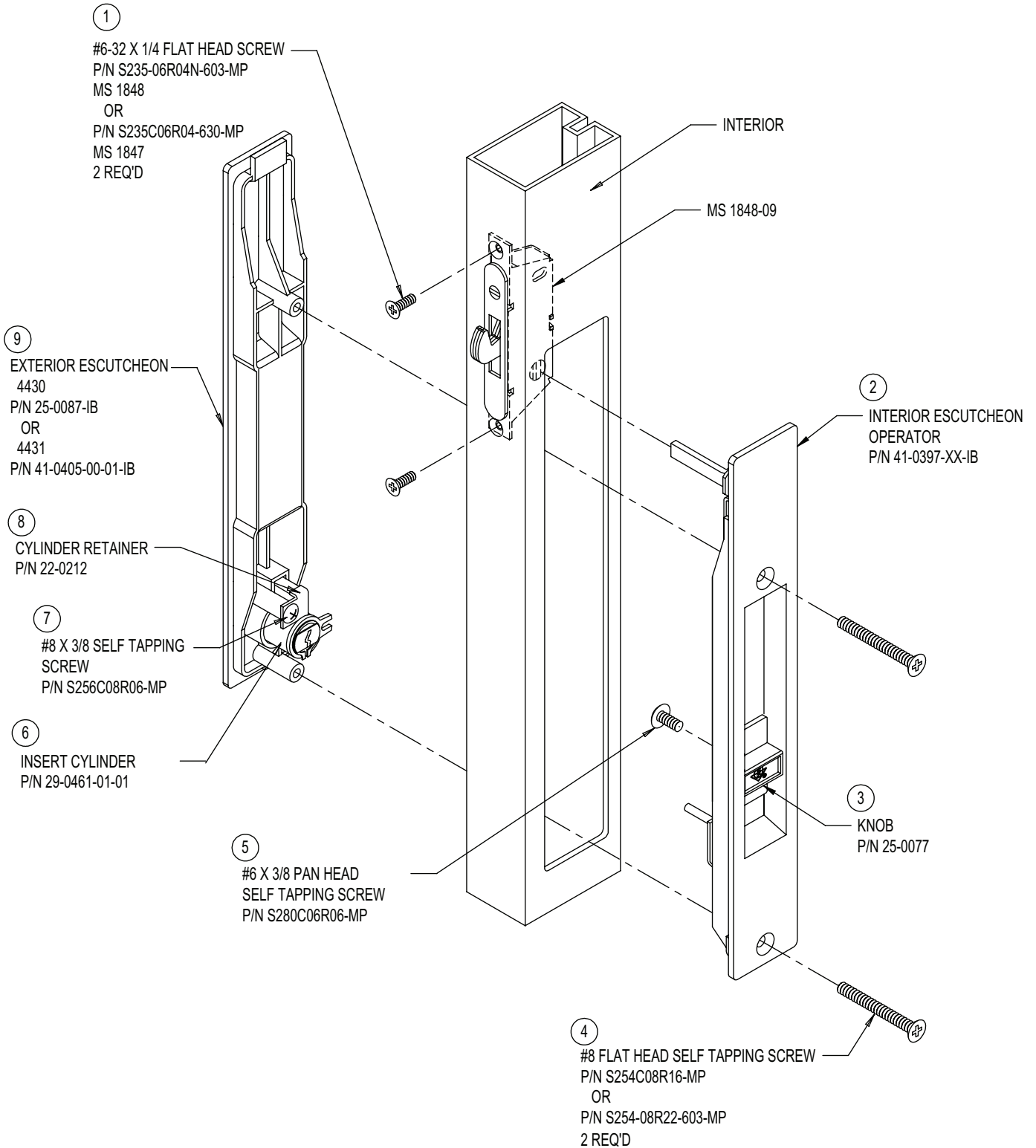
# 4189/4190

## FLUSH LOCKSETS

### 4189/4190 Flush Locksets

ITEM	PART NUMBER	DESCRIPTION	UNITS PKGD	2015 PRICE
1	S235-06R04N-603-MP	#6-32 × 1/4" Flat Head Screw (MS1848)	Pkg. of 10	\$4.00
	S235C06R04-630-MP	#6-32 × 1/4" Flat Head Screw (MS1847)	Pkg. of 10	\$5.00
2	41-0942-01-XXX-IB	Int. Escut. Operator (HE 0066) - 4189 1" - 1-5/8" Door, select 119, 120, or 130 finish	Each	\$35.00
	41-0942-02-119-IB	Int. Escut. Operator (HE 0066) - 4189 1-11/16" - 2" Door	Each	\$40.00
	41-0942-09-119-IB	Int. Escut. Operator (HE 0066) - 4190 1" - 1-3/8" Door	Each	\$50.00
	41-0942-10-119-IB	Int. Escut. Operator (HE 0066) - 4190 1-7/16" - 1-5/8" Door	Each	\$55.00
3	41-0942-11-119-IB	Int. Escut. Operator (HE 0066) - 4190 1-11/16" - 2" Door	Each	\$60.00
	25-0094	Knob	Each	\$4.00
4	S227-08R12-603-MP	#8 × 3/4 Flat Head Self Tapping Screw	Pkg. of 10	\$4.00
	S227-08R16-603-MP	#8 × 1 Flat Head Self Tapping Screw	Pkg. of 10	\$4.00
	S227-08R22-603-MP	#8 × 1-3/8 Flat Head Self Tapping Screw	Pkg. of 10	\$4.00
5	P191-10-06-MP	Barbed Stud	Pkg. of 10	\$10.00
6	23-0065-01-119-IB	Exterior Excuteon - 4189 (HE 0065)	Each	\$26.00
	41-0943-1-119-01-IB	Exterior Excuteon - 4190 (HE 0065) Schlage "C"	Each	\$50.00
7	29-0442-02	Insert Cylinder with 2 Keys (Schlage "C" Keyway)	Each	\$25.00
8	S234-06R06N-603-MP	#6-32 × 3/8 Truss Head Screw	Pkg. of 10	\$6.00

# 4430/4431 FLUSH LOCKSETS



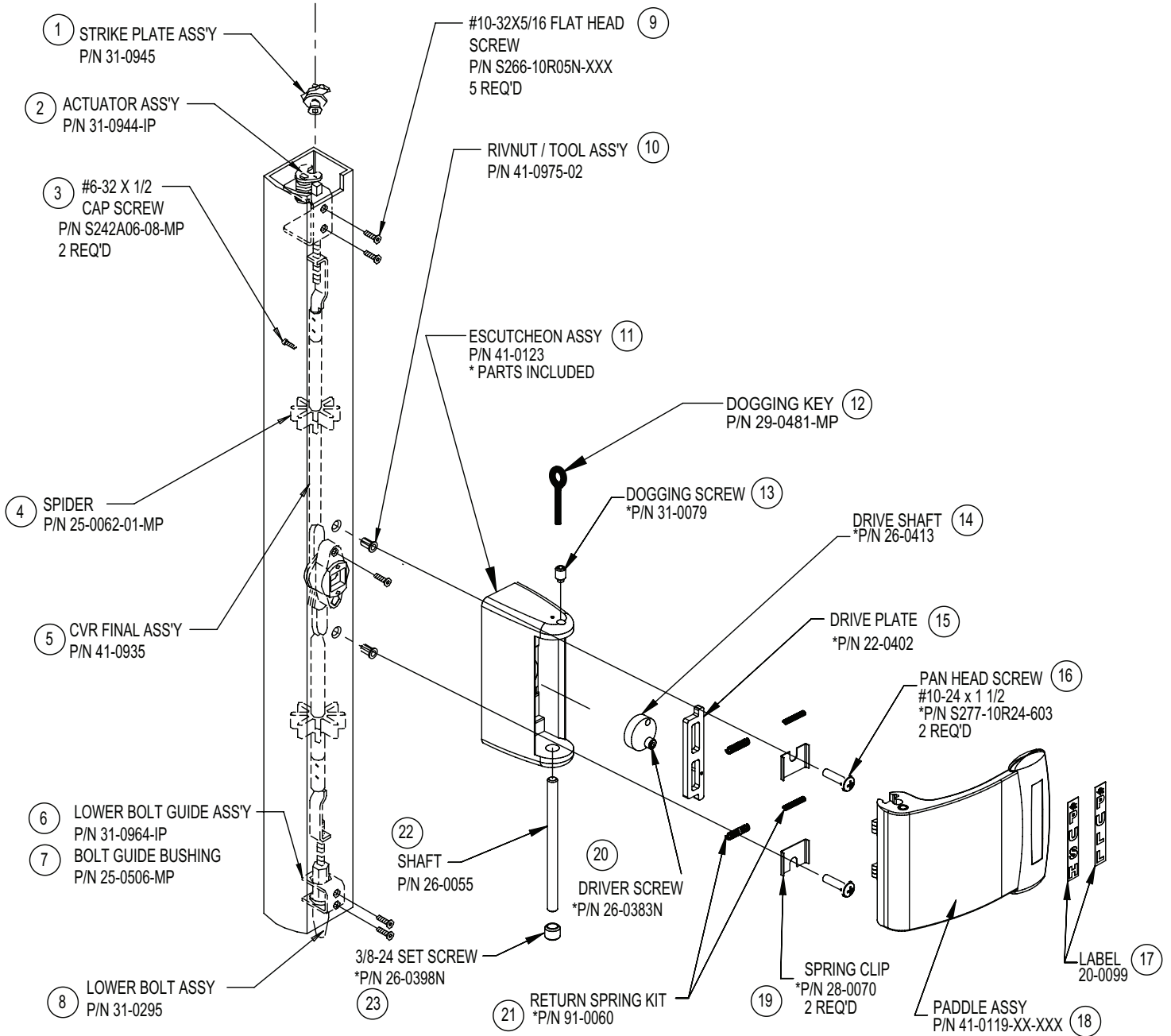
# 4430/4431 FLUSH LOCKSETS

## 4430/4431 Flush Locksets

ITEM	PART NUMBER	DESCRIPTION	UNITS PKGD	2015 PRICE
1	S235-06R04N-603-MP	#6-32 × 1/4 Flat Head Screw (MS1848)	Pkg. of 10	\$4.00
	S235C06R04-630-MP	#6-32 × 1/4 Flat Head Screw (MS1847)	Pkg. of 10	\$5.00
2	41-0397-01-IB	Interior Escutcheon Operator (HE 86) 1" - 1-5/16" Door	Each	\$39.00
	41-0397-02-IB	Interior Escutcheon Operator (HE 86) 1-3/8" - 1-5/8" Door	Each	\$39.00
	41-0397-06-IB	Interior Escutcheon Operator (HE 86) 1-3/4" - 2" Door	Each	\$39.00
3	25-0077	Knob	Each	\$4.00
4	S254-08R22-603-MP	#8 × 1-3/8 Flat Head Self Tapping Screw	Pkg. of 10	\$6.00
	S254C08R16-MP	#8 × 1 Flat Head Self Tapping Screw	Pkg. of 10	\$9.00
5	S280C06R06-MP	#6 × 3/8 Pan Head Self Tapping Screw	Pkg. of 10	\$4.00
6	29-0461-01-01	Insert Cylinder w/ 2 Keys - Schlage "C" Keyway	Each	\$25.00
7	S256C08R06-MP	#8 × 3/8 Self Tapping Screw	Pkg. of 10	\$4.00
8	22-0212	Cylinder Retainer	Each	\$4.00
9	25-0087-IB	Exterior Excutechon - 4430 (HE 87)	Each	\$12.00
	41-0405-00-01-IB	Exterior Excutechon - 4431 (HE 87) Schlage "C" Keyway	Each	\$39.00

# 4781

## TWO-POINT DEADLATCH WITH PADDLE



# 4781 TWO-POINT DEADLATCH WITH PADDLE

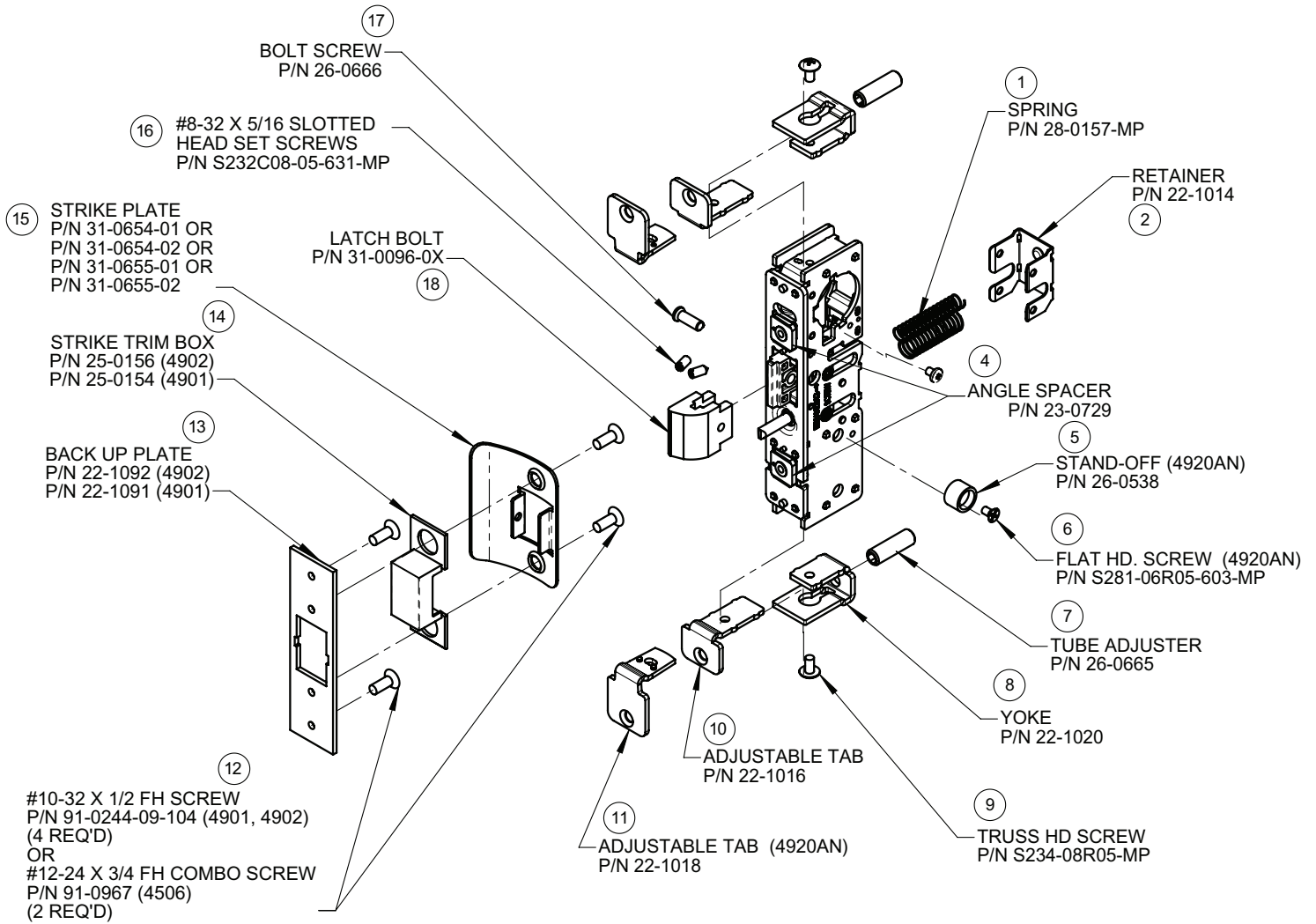
## 4781 Two-Point Deadlatch with Paddle

ITEM	PART NUMBER	DESCRIPTION	UNITS PKGD	2015 PRICE
1	31-0945	Strike Plate Ass'y	Each	\$17.00
2	31-0944-IP	Actuator Ass'y (Top)	Each	\$27.00
3	S242A06-08-MP	#6-32 × 1/2 Cap Screw, (Rod Piercing)	Pkg. of 10	\$9.00
4	25-0062-01-MP	Spider	Pkg. of 10	\$17.00
5	41-0935	CVR Final Ass'y (complete with bolts)	Each	\$140.00
6	31-0964-IP	Lower Bolt Guide Ass'y	Each	\$6.00
7	25-0506-MP	Bolt Guide Bushing	Pkg. of 10	\$6.00
8	31-0295	Lower Bolt Ass'y	Each	\$13.00
9	S266-10R05N-603-MP	#10-32 × 5/16 Flat Head Screw	Pkg. of 10	\$8.00
	S266-10R05N-121-MP	#10-32 × 5/16 Flat Head Screw	Pkg. of 10	\$8.00
10	41-0975-02	Rivnut Tool Ass'y	Each	\$10.00
11	41-0123-XX	Escutcheon Ass'y, specify "PUSH" to left, or "PUSH" to right (comes with items 13-16, 19-21, 23)	Each	\$100.00
12	29-0481-MP	Dogging Key	Pkg. of 10	\$26.00
13	31-0079-MP	Dogging Screw	Pkg. of 10	\$23.00
14	26-0413	Drive Shaft	Each	\$10.00
15	22-0402	Driver Plate	Each	\$12.00
16	S277-10R24-603-MP	#10-24 × 1-1/2 Pan Head Screw	Pkg. of 10	\$5.00
17	20-0099	"PUSH" "PULL" Indicator Label	Each	\$4.00
18	41-0119-XXX	Paddle Ass'y, select 313, 335, or 628 finish	Each	\$50.00
19	28-0070-MP	Spring Clip	Pkg. of 10	\$4.00
20	26-0383-MP	Driver Screw	Pkg. of 10	\$60.00
21	91-0060	Return Spring Kit (includes all four springs)	Each	\$6.00
22	26-0055	Shaft	Each	\$4.00
23	26-0398N	3/8-24 Set Screw	Each	\$4.00
NS	80-0180-128	Instruction Sheet, 4781	Each	Email only
NS	80-0180-133	Dogging Instruction Sheet, 4781	Each	Email only

NS = Not shown

# 4900

## HEAVY DUTY DEADLATCH





# 4900

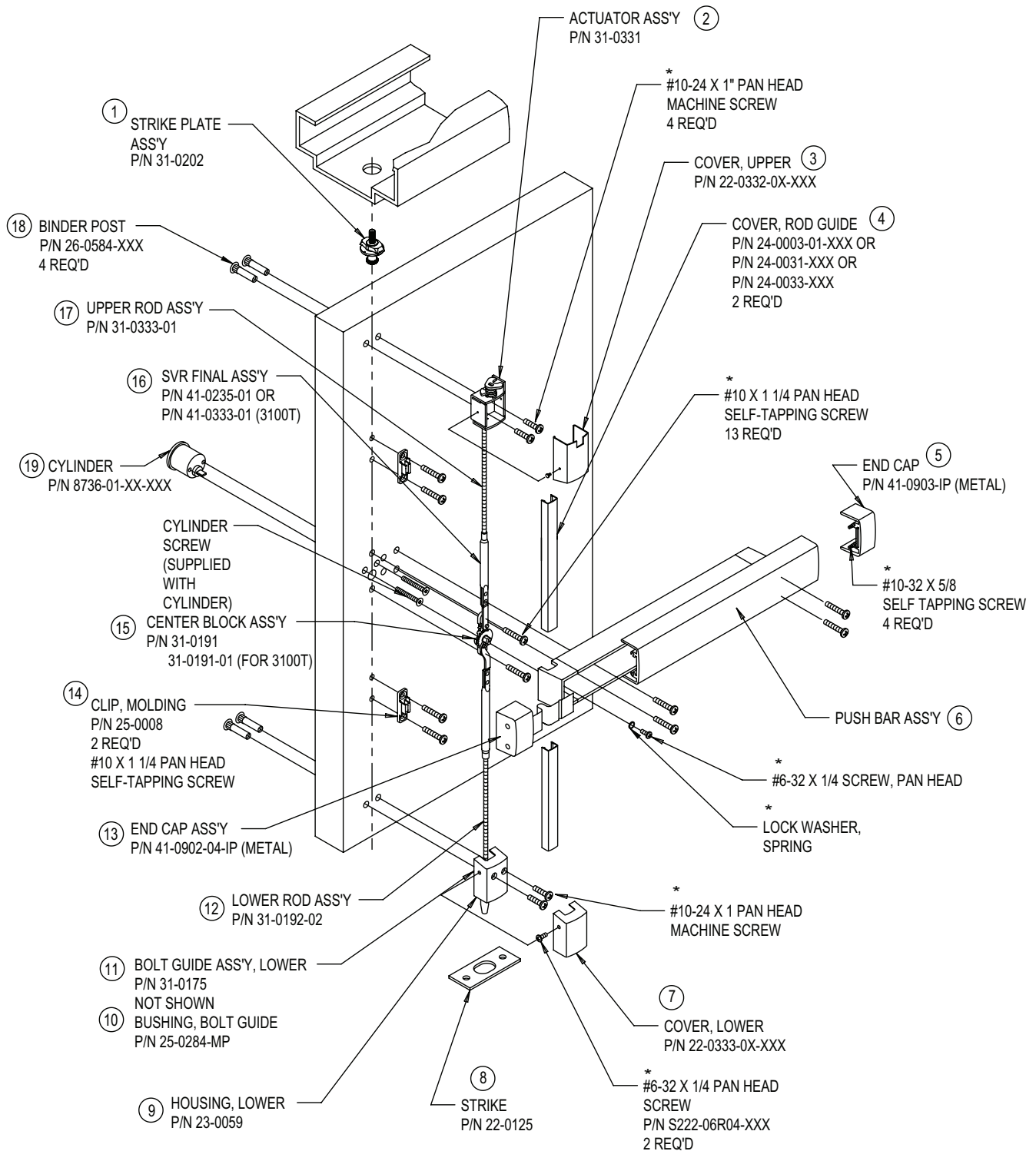
## HEAVY DUTY DEADLATCH

### 4900 Heavy Duty Deadlatch

ITEM	PART NUMBER	DESCRIPTION	UNITS PKGD	2015 PRICE
1	28-0157-MP	Spring	Pkg. of 10	\$7.00
2	22-1014	Retainer	Each	\$4.00
4	23-0729	Angle Spacer	Each	\$4.00
5	26-0538	Stand-off (4920AN)	Each	\$4.00
6	S281-06R05-603-MP	Flat Head Screw (4920AN)	Pkg. of 10	\$7.00
7	26-0665	Tube Adjuster	Each	\$4.00
8	22-1020	Yoke	Each	\$4.00
9	S234-08R05-MP	Truss Head Screw	Pkg. of 10	\$4.00
10	22-1016	Adjustable Tab	Each	\$4.00
11	22-1018	Adjustable Tab (4920AN)	Each	\$4.00
12	91-0244-09-104	#10-32 x 1/2" Flathead Screw (4901, 4902)	Each	\$6.00
	91-0967	#12-24 x 3/4" Flathead Screw (4506)	Each	\$7.00
13	22-1091	Back up plate (4901)	Each	\$4.00
	22-1092	Back up plate (4902)	Each	\$4.00
14	25-0154	Strike Trim Box (4901)	Each	\$4.00
	25-0156	Strike Trim Box (4902)	Each	\$4.00
15	31-0654-01-630	Strike Plate Flat (4902 Short face 2-5/8")	Each	\$10.00
	31-0654-02-630	Strike Plate Radius (4902 Short face 2-5/8")	Each	\$10.00
	31-0655-01-630	Strike Plate Flat (4901 Long face 4-5/8")	Each	\$12.00
	31-0655-02-630	Strike Plate Radius (4901 Long face 4-5/8")	Each	\$12.00
16	S232C08-05-631-MP	#8-32 x 5/16" Slotted Head Screws	Pkg. of 10	\$8.00
17	26-0666	Bolt Screw	Each	\$6.00
18	31-0096-03	Latch Bolt 1-1/8" Backset	Each	\$8.00
	31-0096-04	Latch Bolt 1-1/2" Backset	Each	\$11.00
	31-0096-05	Latch Bolt 2-3/4" Backset	Each	\$17.00

# 3100 Series

## SURFACE VERTICAL ROD EXIT DEVICE



NOTE: (ALSO COVERS PARTS USED IN 3100T)

\* INCLUDED IN 91-0831-01-XXX SCREW PACK

# 3100 Series

## SURFACE VERTICAL ROD EXIT DEVICE

### 3100 Series Surface Vertical Rod Exit Device (Including 3100T)

ITEM	PART NUMBER	DESCRIPTION	UNITS PKGD	2015 PRICE
1	31-0202	Strike Plate Ass'y	Each	\$26.00
2	31-0331	Actuator Ass'y	Each	\$40.00
3	22-0332-01-XXX	Upper Cover, select 313 or 335 or 628 finish	Each	\$25.00
	22-0332-02-XXX	Upper Cover, select US3 or US4 finish (605 or 606)	Each	\$55.00
	22-0332-04-XXX	Upper Cover, select US32 or US32D finish (629 or 630)	Each	\$45.00
4	24-0003-01-XXX	Rod Guide Cover, select 313 or 335 or 628 finish	Each	\$55.00
	24-0031-XXX	Rod Guide Cover, select US3 or US4 finish (605 or 606)	Each	\$150.00
	24-0033-XXX	Rod Guide Cover, select US32 or US32D finish (629 or 630)	Each	\$90.00
5	41-0903-IP	End Cap (Hinge)- Metal	Each	\$18.00
6	Push Bar - 313, 335, 628 finish	Push Bar Ass'y: Order by Exit Device Series (3100), door opening width and 313, 335, or 628 finish	Each	\$115.00
	Push Bar - 630 finish	Push Bar Ass'y: Order by Exit Device Series (3100), door opening width and US32D (630) finish	Each	\$310.00
	Push Bar - 605, 606, 629 finish	Push Bar Ass'y: Order by Exit Device Series (3100), door opening width and 605, 606, or 629 finish (US3, US4, US32)	Each	\$350.00
7	22-0333-01-XXX	Lower Cover, select 313 or 335 or 628 finish	Each	\$25.00
	22-0333-02-XXX	Lower Cover, select US3 or US4 finish (605 or 606)	Each	\$55.00
	22-0333-04-XXX	Lower Cover, select US32 or US32D finish (629 or 630)	Each	\$45.00
8	22-0125	Strike	Each	\$17.00
9	23-0059	Lower Housing	Each	\$162.00
10	25-0284-MP	Bolt Guide Bushing	Pkg. of 10	\$6.00
11	31-0175	Lower Bolt Guide Ass'y	Each	\$15.00
12	31-0192-02	Lower Rod Ass'y	Each	\$30.00
13	41-0902-04-IP	End Cap Ass'y (Nose) - Metal	Each	\$22.00
14	25-0008	Molding Clip	Each	\$6.00
15	31-0191	Center Block Ass'y - Top and Bottom Rods	Each	\$116.00
	31-0191-01	Center Block Ass'y - Top Rod Only	Each	\$116.00
16	41-0235-01	SVR Final Ass'y (complete w/ rods)	Each	\$200.00
	41-0333-01	SVR Final Ass'y (for Top Rod devices w/ rods )	Each	\$160.00
17	31-0333-01	Upper Rod Ass'y	Each	\$50.00
18	26-0584-652-MP	Binder Post with Screws	2-Pack	\$20.00
19	8736-01-XX-XXX	Rim Cylinder	Each	LIST
NS	80-0180-86-01	Template, 3100	Each	\$10.00
NS	80-0180-81	Installation Sheet, 3100	Each	Email only
NS	80-0180-481	Installation Sheet, 3100T (Top Rod - Metal Door)	Each	Email only
NS	80-0180-483	Installation Sheet, 3100W (Top Rod - Wood Door)	Each	Email only
*	91-0831-01-335	Screw Pack (313 / 335 finish)	Each	\$7.00
*	91-0831-01-605	Screw Pack (605 / 606 finish)	Each	\$8.00
*	91-0831-01-630	Screw Pack (628 / 629 / 630 finish)	Each	\$7.00

LIST = Refer to current pricelist

NS = Not shown

Note: Consult Factory For Doors Over 54 Inches Above Push Bar Centerline

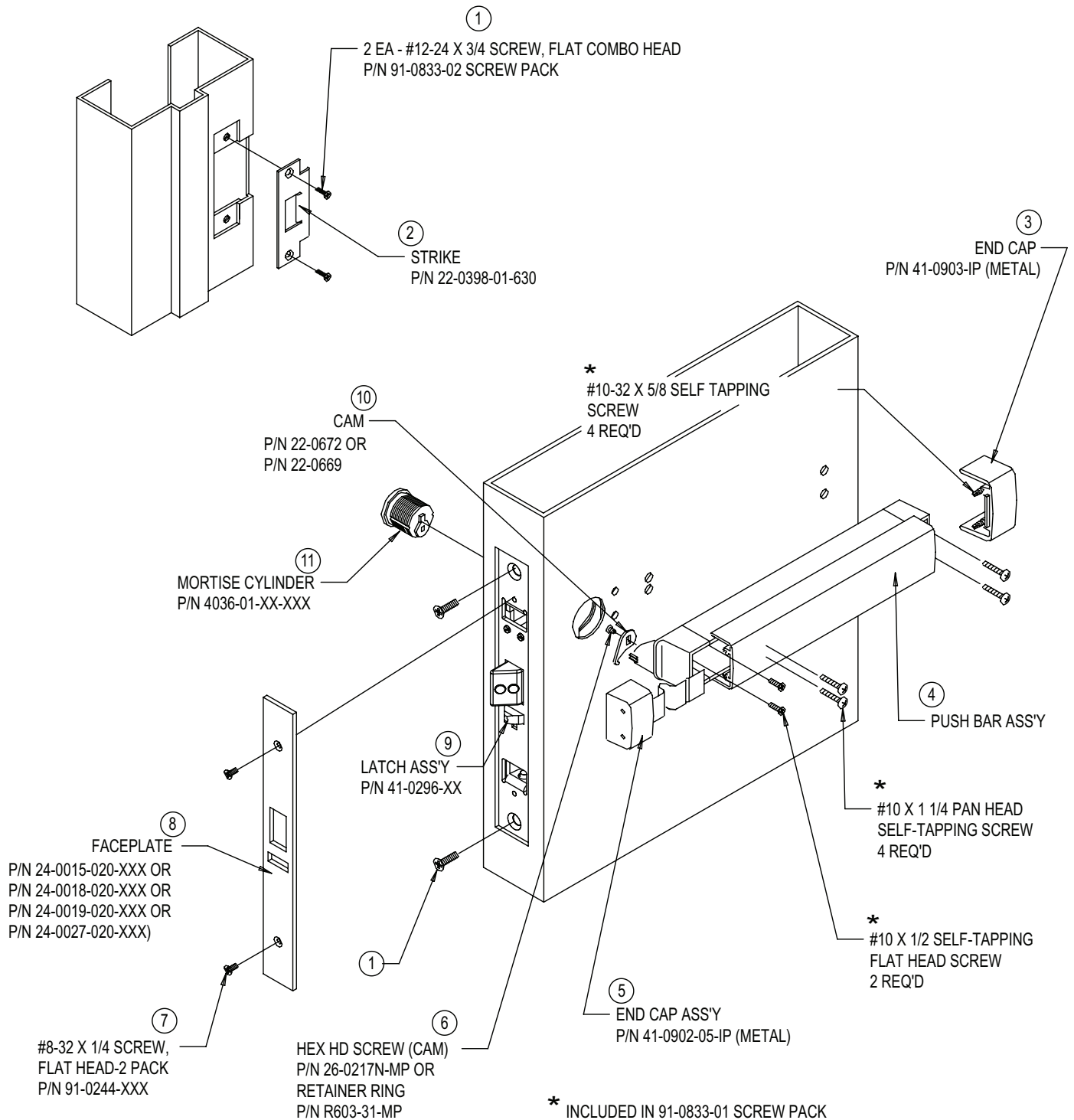
ASSA ABLOY, the global leader in door opening solutions



800.872.3267 • Fax 800.232.7329  
10027 S. 51st Street, Ste 102  
Phoenix, Arizona 85044  
www.adamsrite.com

# 3300 Series

## MORTISE EXIT DEVICE



# 3300 Series

## MORTISE EXIT DEVICE

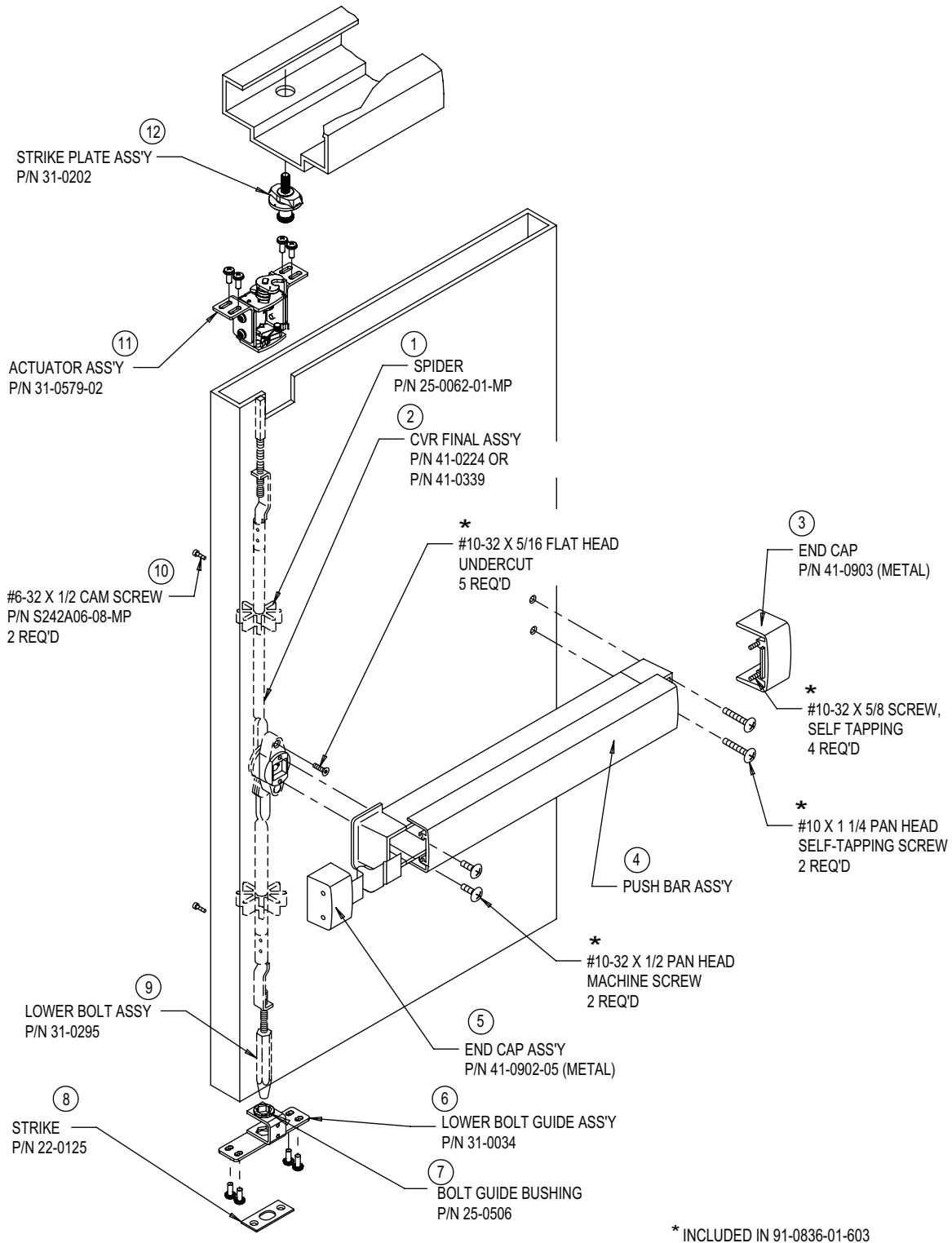
### 3300 Series Mortise Exit Device

ITEM	PART NUMBER	DESCRIPTION	UNITS PKGD	2015 PRICE
1	91-0833-02	#12-24 × 3/4 Flat Head Combo Screw	Each	\$4.00
2	22-0398-01-630	Strike	Each	\$22.00
3	41-0903-IP	End Cap (Hinge) - Metal	Each	\$18.00
4	Push Bar - 313, 335, 628 finish	Push Bar Ass'y: Order by Exit Device Series (3300), door opening width and 313, 335, or 628 finish	Each	\$115.00
	Push Bar - 630 finish	Push Bar Ass'y: Order by Exit Device Series (3300), door opening width and US32D (630) finish	Each	\$310.00
	Push Bar - 605, 606, 629 finish	Push Bar Ass'y: Order by Exit Device Series (3300), door opening width and 605, 606, or 629 finish (US3, US4, US32)	Each	\$350.00
5	41-0902-05-IP	End Cap Ass'y (Nose) - Metal	Each	\$22.00
6	26-0217N-MP	Hex Head Screw (Cam)	Pkg. of 10	\$12.00
	R603-31-MP	Retainer Ring (Cam - Past Production)	Pkg. of 10	\$12.00
7	91-0244-XXX	2 - #8-32 × 1/4 Flat Head Screws, select 313 or 335 or 628 finish	Pkg. of 2	\$4.00
8	24-0015-020-XXX	Faceplate with screws, aluminum, select 313 or 335 or 628 finish	Each	LIST
9	41-0296-01	Latch Ass'y (LHR)	Each	\$370.00
	41-0296-02	Latch Ass'y (RHR)	Each	\$370.00
10	22-0672	Cam (Latchbolt Retract), Screw Attachment	Each	\$4.00
	22-0669	Cam (Latchbolt Retract), Retainer Clip Attachment	Each	\$4.00
11	4036-01-XX-XXX	Mortise Cylinder	Each	LIST
NS	80-0180-122-01	Template, 3300 (Device)	Each	\$10.00
NS	80-0180-122-02	Template, 3300 (Strike)	Each	\$10.00
NS	80-0180-83	Installation Sheet, 3300	Each	Email only
*	91-0831-01-335	Screw Pack	Each	\$7.00

LIST = Refer to current pricelist  
NS = Not shown

# 3600 Series

## CONCEALED VERTICAL ROD



# 3600 Series CONCEALED VERTICAL ROD

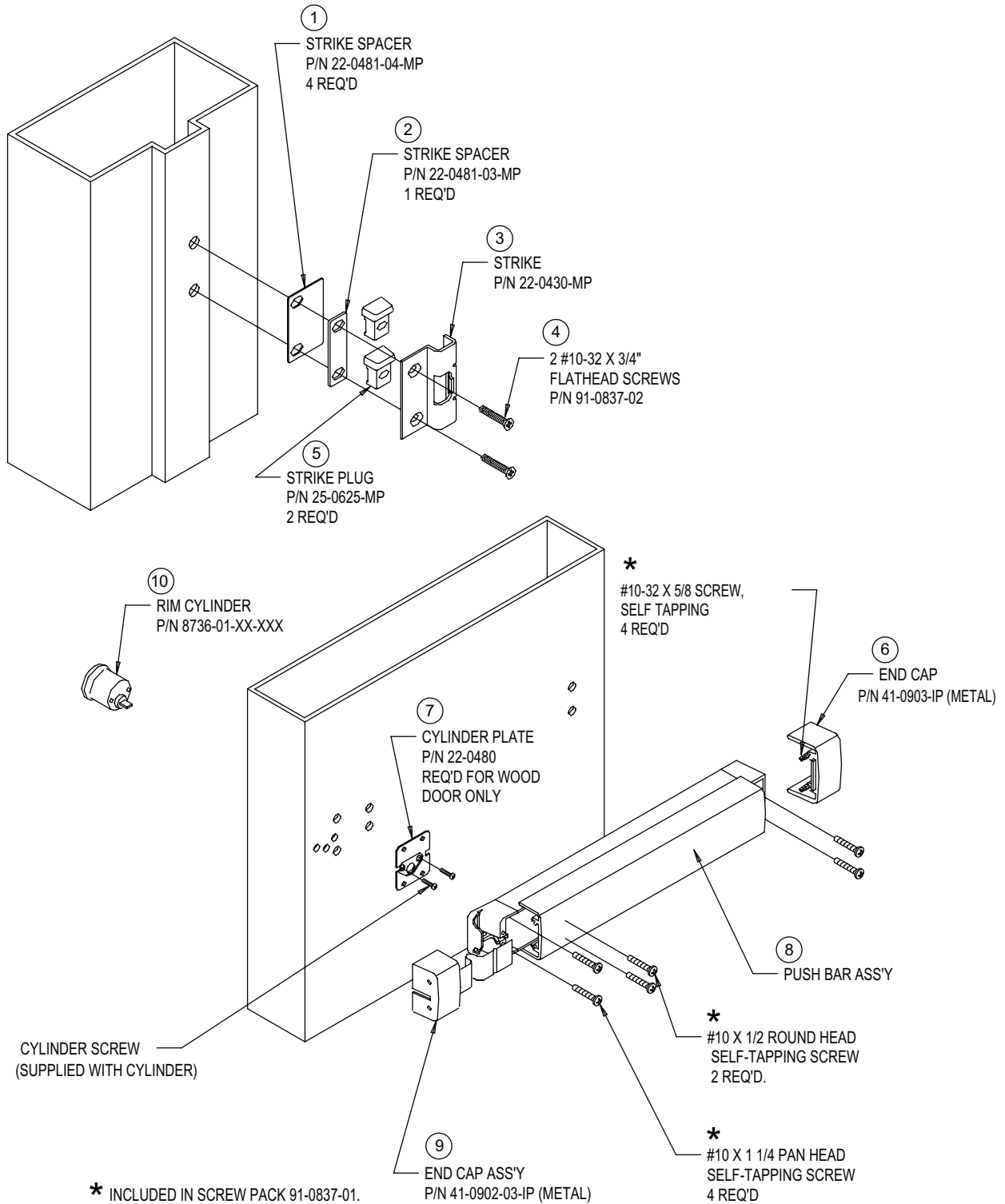
## 3600 Series Metal Door Concealed Vertical Rod (Including 3600T)

ITEM	PART NUMBER	DESCRIPTION	UNITS PKGD	2015 PRICE
1	25-0062-01-MP	Spider	Pkg. of 10	\$17.00
2	41-0224	CVR Final Ass'y (complete with bolts)	Each	\$130.00
	41-0339	CVR Final Ass'y (Top Rod Device with bolt)	Each	\$150.00
3	41-0903-IP	End Cap (Hinge)- Metal	Each	\$18.00
4	Push Bar - 313, 335, 628 finish	Push Bar Ass'y: Order by Exit Device Series (3600), door opening width and 313, 335, or 628 finish	Each	\$115.00
	Push Bar - 630 finish	Push Bar Ass'y: Order by Exit Device Series (3600), door opening width and US32D (630) finish	Each	\$310.00
	Push Bar - 605, 606, 629 finish	Push Bar Ass'y: Order by Exit Device Series (3600), door opening width and 605, 606, or 629 finish (US3, US4, US32)	Each	\$350.00
5	41-0902-05-IP	End Cap Ass'y (Nose) - Metal	Each	\$22.00
6	31-0034	Lower Bolt Guide Ass'y	Each	\$7.00
7	25-0506-MP	Bolt Guide Bushing	Pkg. of 10	\$6.00
8	22-0125	Strike	Each	\$17.00
9	31-0295	Lower Bolt Ass'y	Each	\$13.00
10	S242A06-08-MP	#6-32 × 1/2 Cap Screw (Rod Piercing)	Pkg. of 10	\$9.00
11	31-0579-02	Actuator Ass'y (Top)	Each	\$90.00
12	31-0202	Strike Plate Ass'y	Each	\$26.00
NS	80-0180-87-01	Template, 3600 (Device)	Each	\$10.00
NS	80-0180-87-02	Template, 3600 (Strike)	Each	\$10.00
NS	80-0180-487-01	Template, 3600T (Device)	Each	\$10.00
NS	80-0180-487-02	Template, 3600T (Strike)	Each	\$10.00
NS	80-0180-84	Installation Sheet, 3600	Each	Email only
NS	80-0180-486	Installation Sheet, 3600T	Each	Email only
*	91-0836-01-603	Screw Pack	Each	\$11.00

NS = Not shown

# 3700 Series

## RIM EXIT DEVICE





# 3700 Series

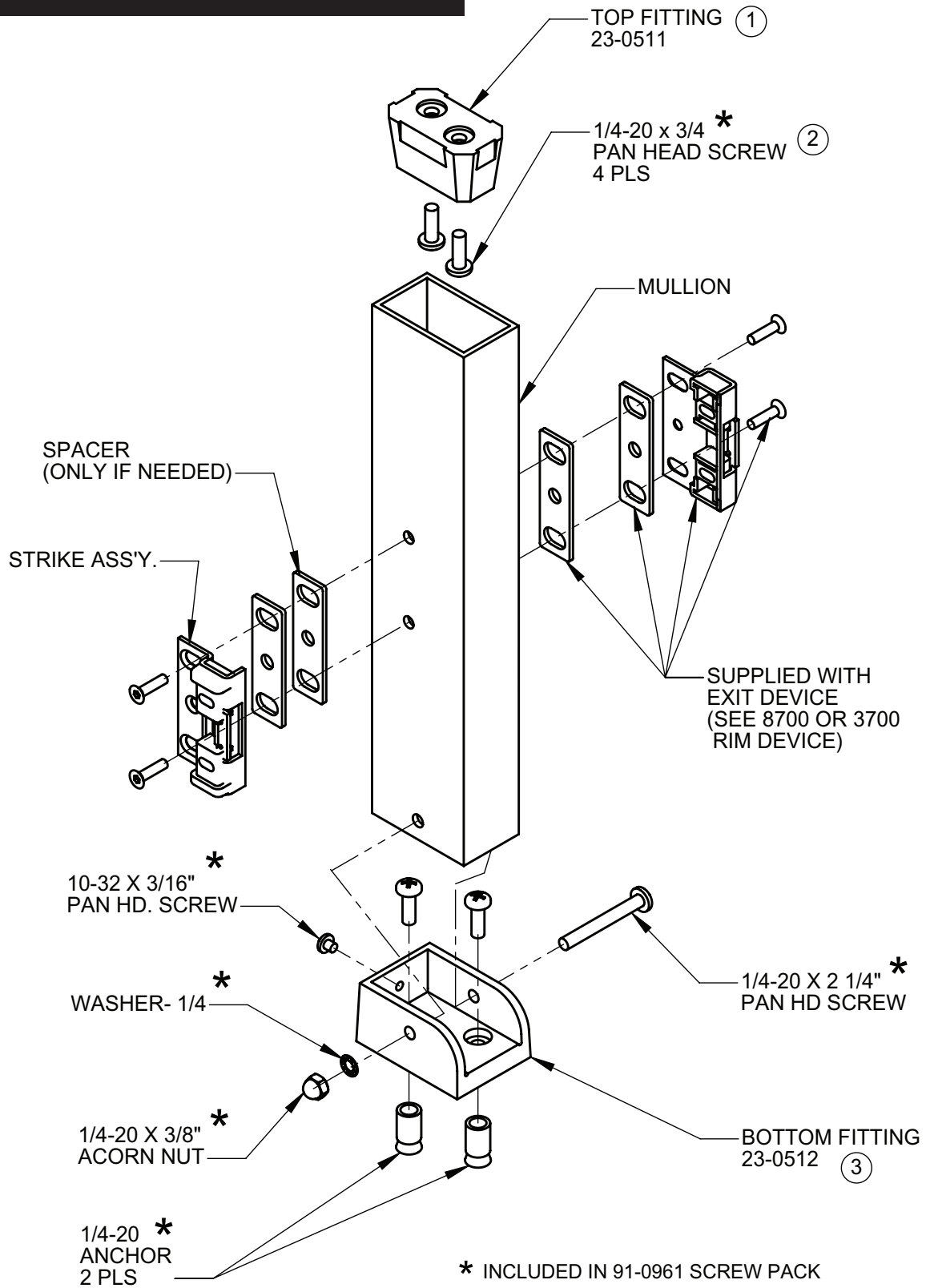
## RIM EXIT DEVICE

### 3700 Series Rim Exit Device

ITEM	PART NUMBER	DESCRIPTION	UNITS PKGD	2015 PRICE
1	22-0481-04-MP	Strike Spacer	Pkg. of 10	\$18.00
2	22-0481-03-MP	Strike Spacer	Pkg. of 10	\$18.00
3	22-0430-IP	Strike	Each	\$8.00
4	91-0837-02	2 - #10-32 x 3/4 Flat Head Screws	Each	\$4.00
5	25-0625-MP	Strike Plug	Pkg. Of 2	\$7.00
6	41-0903-IP	End Cap (Hinge) - Metal	Each	\$18.00
7	22-0480	Cylinder Plate (Wood Doors)	Each	\$9.00
8	Push Bar - 313, 335, 628 finish	Push Bar Ass'y: Order by Exit Device Series (3700), door opening width and 313, 335, or 628 finish	Each	\$115.00
	Push Bar - 630 finish	Push Bar Ass'y: Order by Exit Device Series (3700), door opening width and US32D (630) finish	Each	\$310.00
	Push Bar - 605, 606, 629 finish	Push Bar Ass'y: Order by Exit Device Series (3700), door opening width and 605, 606, or 629 finish (US3, US4, US32)	Each	\$350.00
9	41-0902-03-IP	End Cap Ass'y (Nose) - Metal	Each	\$22.00
10	8736-01-XX-XXX	Rim Cylinder	Each	LIST
NS	80-0180-124-01	Template, 3700 (Device)	Each	\$10.00
NS	80-0180-124-02	Template, 3700 (Strike)	Each	\$10.00
NS	80-0180-85	Installation Sheet, 3700	Each	Email only
*	91-0837-01	Screw pack	Each	\$4.00

LIST = Refer to current pricelist  
NS = Not shown

# 3889 MULLION



# 3889 MULLION

## 3889 Removable Mullion for Hollow Metal or Wood Doors

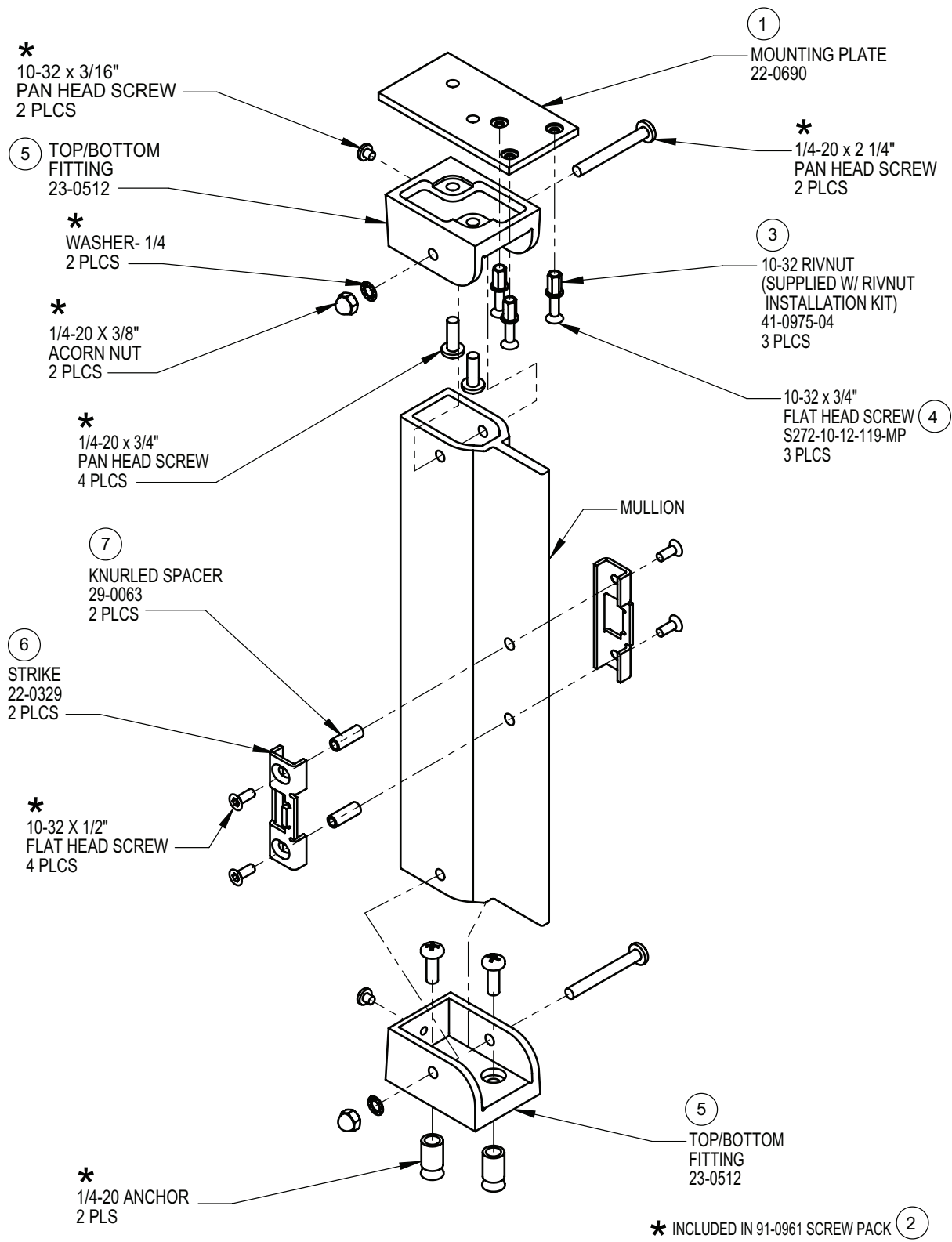
ITEM	PART NUMBER	DESCRIPTION	UNITS PKGD	2015 PRICE
1	23-0511	Top Fitting	Each	\$53.00
2	91-0961	Screw Pack	Each	\$9.00
3	23-0512	Bottom Fitting	Each	\$77.00

ASSA ABLOY, the global leader in door opening solutions



800.872.3267 • Fax 800.232.7329  
10027 S. 51st Street, Ste 102  
Phoenix, Arizona 85044  
[www.adamsrite.com](http://www.adamsrite.com)

# 3890 MULLION



# 3890 MULLION

## 3890 Removable Mullion for Aluminum Doors

ITEM	PART NUMBER	DESCRIPTION	UNITS PKGD	2015 PRICE
1	22-0690	Mounting Plate	Each	\$55.00
2	91-0961	Screw Pack	Each	\$9.00
3	41-0975-04	Rivnut Kit	Each	\$11.00
4	S272-10-12-119-MP	#10-32 × 3/4" Flat Head Screw	Pkg. Of 10	\$6.00
5	23-0512	Top / Bottom Fitting	Each	\$77.00
6	22-0329	Strike	Each	\$13.00
7	29-0063	Knurled Spacer	Each	\$20.00

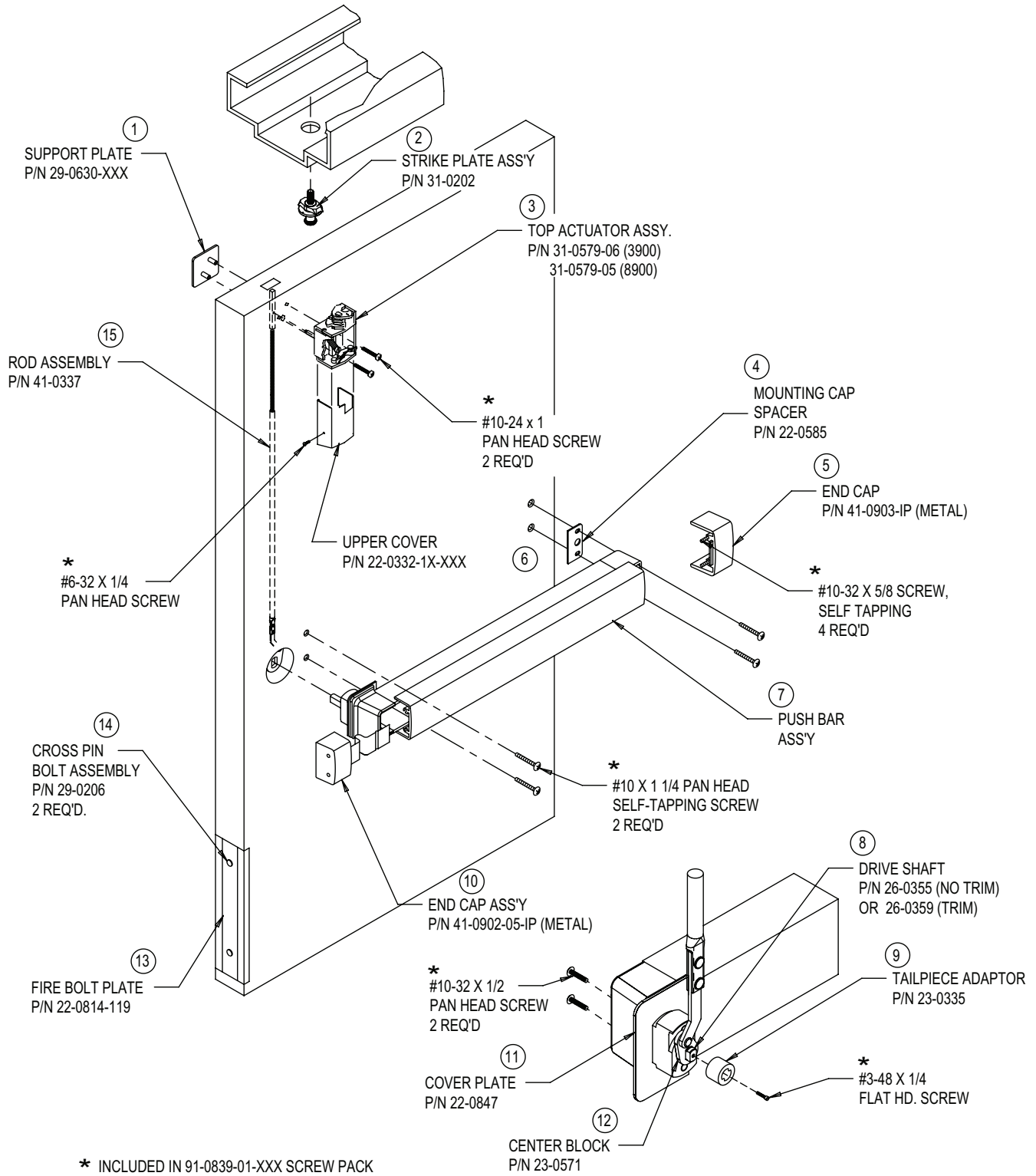
ASSA ABLOY, the global leader in door opening solutions



800.872.3267 • Fax 800.232.7329  
10027 S. 51st Street, Ste 102  
Phoenix, Arizona 85044  
[www.adamsrite.com](http://www.adamsrite.com)

# 3900/8900 Series

## CONCEALED VERTICAL ROD



# 3900/8900 Series CONCEALED VERTICAL ROD

## 3900/8900 Series Wood Door Concealed Vertical Rod

ITEM	PART NUMBER	DESCRIPTION	UNITS PKGD	2015 PRICE
1	29-0630-121	Support Plate	Each	\$65.00
2	31-0202	Strike Plate Ass'y	Each	\$26.00
3	31-0579-06	Top Actuator Ass'y (3900)	Each	\$115.00
	31-0579-05	Top Actuator Ass'y (8900)	Each	\$105.00
4	22-0585	Mounting Cap Spacer	Each	\$4.00
5	41-0903-IP	End Cap (Hinge) - Metal	Each	\$18.00
6	22-0332-11-XXX	Upper Cover, select 313 or 335 or 628 finish	Each	\$40.00
	22-0332-12-XXX	Upper Cover, select US3 or US4 finish (605 or 606)	Each	\$60.00
	22-0332-14-XXX	Upper Cover, select US32 or US32D finish (629 or 630)	Each	\$65.00
7	Push Bar - 313, 335, 628 finish	Push Bar Ass'y: Order by Exit Device Series (3900/8900), door opening width and 313, 335, or 628 finish	Each	\$115.00
	Push Bar - 630 finish	Push Bar Ass'y: Order by Exit Device Series (3900/8900), door opening width and US32D (630) finish	Each	\$310.00
	Push Bar - 605, 606, 629 finish	Push Bar Ass'y: Order by Exit Device Series (3900/8900), door opening width and 605, 606, or 629 finish (US3, US4, US32)	Each	\$350.00
8	26-0355	Drive Shaft (No Trim)	Each	\$36.00
	26-0359	Drive Shaft (Trim)	Each	\$36.00
9	23-0335	Tailpiece Adapter	Each	\$5.00
10	41-0902-05-IP	End Cap Ass'y (Nose) - Metal	Each	\$22.00
11	22-0847	Cover Plate	Each	\$4.00
12	23-0571	Center Block	Each	\$20.00
13	22-0814-119	Fire Bolt Plate	Each	\$40.00
14	29-0206	Cross Pin Bolt Ass'y	Each	\$61.00
15	41-0337	Rod Assembly	Each	\$77.00
NS	80-0180-392	Template, 3900/8900 - Door	Each	\$10.00
NS	80-0180-390	Installation Sheet, 3900/8900	Each	Email only
NS	80-0180-86-02	Template, 3900/8900 - Frame	Each	\$10.00
*	91-0839-01-630	Screw Pack	Each	\$9.00

NS = Not shown

Note: Consult Factory For Doors Over 54 Inches Above Push Bar Centerline.

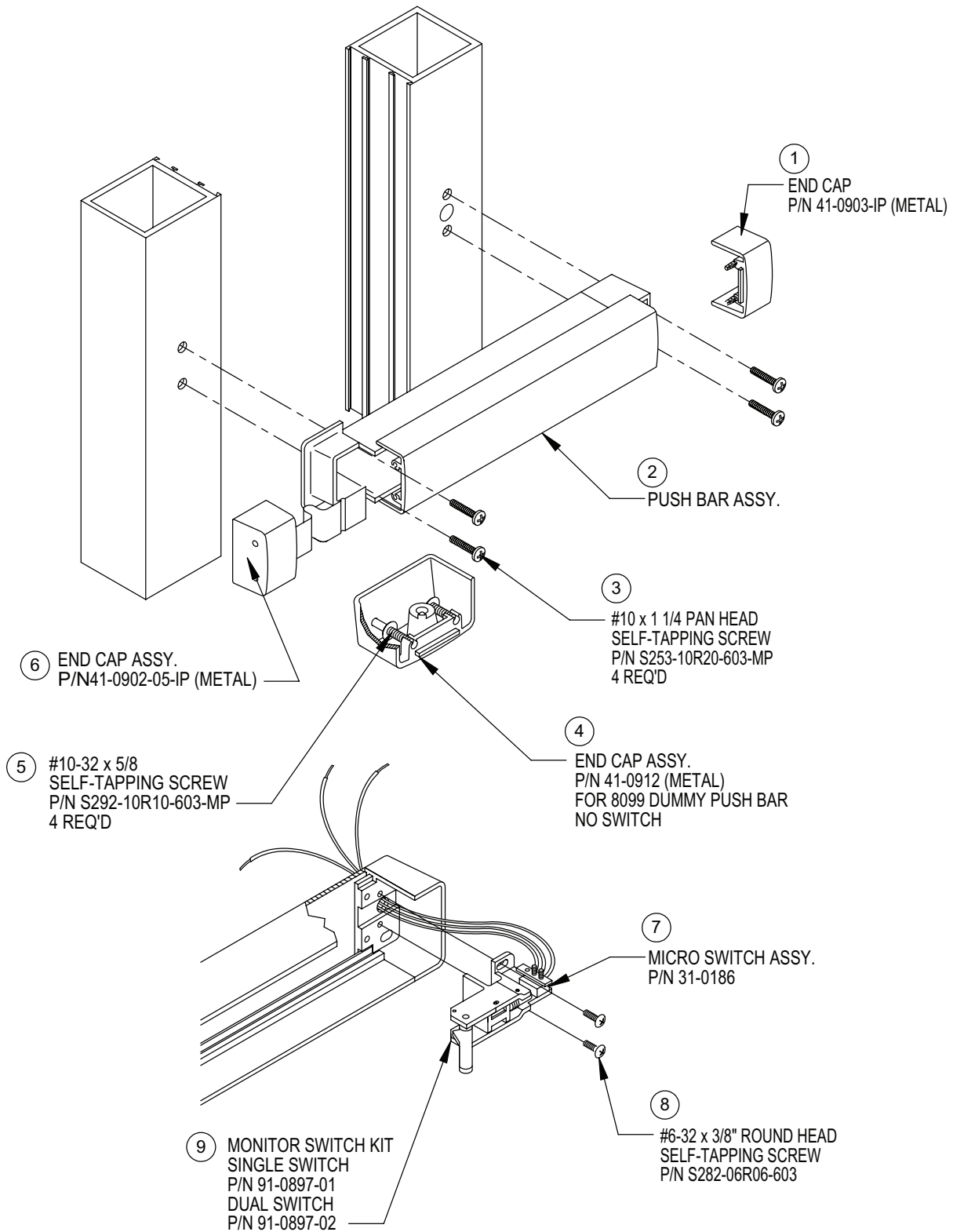
ASSA ABLOY, the global leader in door opening solutions



800.872.3267 • Fax 800.232.7329  
10027 S. 51st Street, Ste 102  
Phoenix, Arizona 85044  
[www.adamsrite.com](http://www.adamsrite.com)

# 8099/8099M

## DUMMY PUSHBAR





# 8099/8099M DUMMY PUSHBAR

## 8099/8099M Dummy Pushbar

ITEM	PART NUMBER	DESCRIPTION	UNITS PKGD	2015 PRICE
<b>1</b>	41-0903-IP	End Cap (Hinge) - Metal	Each	\$18.00
<b>2</b>	Push Bar - 313, 335, 628 finish	Push Bar Ass'y: Order by Exit Device Series (8099M ONLY), door opening width and 313, 335, or 628 finish	Each	\$115.00
	Push Bar - 630 finish	Push Bar Ass'y: Order by Exit Device Series (8099M ONLY) door opening width and US32D (630) finish	Each	\$310.00
	Push Bar - 605, 606, 629 finish	Push Bar Ass'y: Order by Exit Device Series (8099M ONLY) door opening width and 605, 606, or 629 finish (US3, US4, US32)	Each	\$350.00
<b>3</b>	S253-10R20-603-MP	#10 × 1-1/4 Pan Head Self Tapping Screw	Pkg. of 10	\$6.00
<b>4</b>	41-0912	End Cap Ass'y (Nose) - for 8099 Dummy Bar without Switch	Each	\$18.00
<b>5</b>	S292-10R10-603-MP	#10-32 × 5/8 Self Tapping Screw	Pkg. of 10	\$7.00
<b>6</b>	41-0902-05-IP	End Cap Ass'y (Nose) - Metal	Each	\$22.00
<b>7</b>	31-0186	Microswitch Ass'y with Wires	Each	\$58.00
<b>8</b>	S282-06R06-603-MP	#6-32 × 3/8 Round Head Self Tapping Screw	Pkg. of 10	\$6.00
<b>9</b>	91-0897-01	"Monitor Switch Kit (Standard Single Switch). Kit includes: Monitor Switch Assembly, Screws, Wire Nuts and Installation Instructions."	Each	LIST
	91-0897-02	"Monitor Switch Kit (Optional Dual Switches). Kit includes: Monitor Switch Assembly, Screws, Wire Nuts and Installation Instructions."	Each	LIST
<b>NS</b>	80-0180-050	Installation Sheet 8099	Each	Email only
<b>NS</b>	80-0180-250	Installation Sheet 8099M	Each	Email only
<b>NS</b>	80-0180-148	Wiring Instruction Sheet, 8099M	Each	Email only

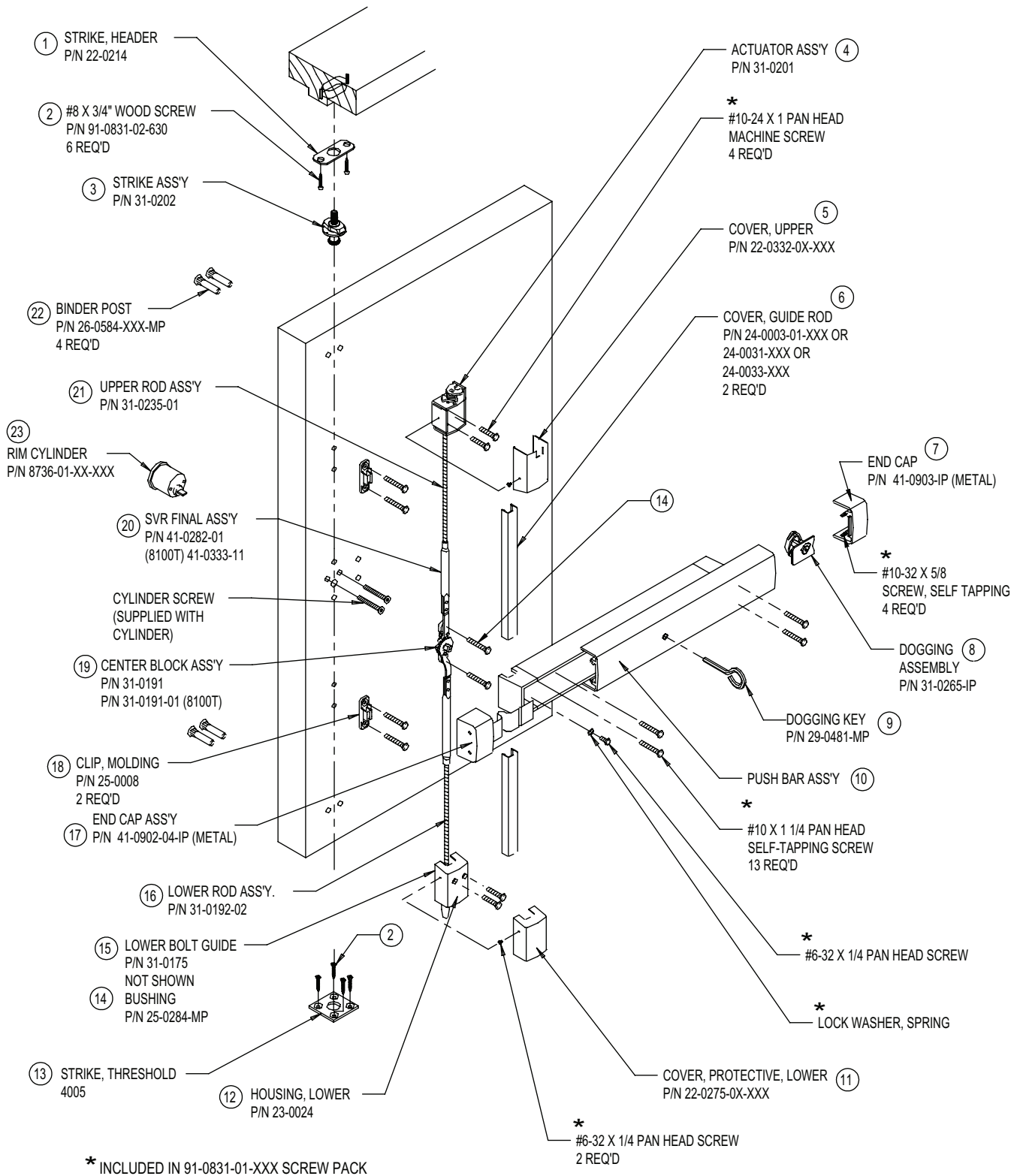
LIST = Refer to current pricelist

NS = Not shown

Note: The Push Bar Assembly is Replaceable on 8099M Only.

# 8100 Series

## SURFACE VERTICAL ROD



# 8100 Series

## SURFACE VERTICAL ROD

### 8100 Series Surface Vertical Rod Exit Device

ITEM	PART NUMBER	DESCRIPTION	UNITS PKGD	2015 PRICE
1	22-0214	Header Strike (Wood Frame)	Each	\$20.00
2	91-0831-02-630	Strike Screw Pack (Wood Frame)	Pkg. of 6	\$6.00
3	31-0202	Strike Plate Ass'y	Each	\$26.00
4	31-0201	Actuator Ass'y	Each	\$33.00
5	22-0332-01-XXX	Upper Cover, select 313 or 335 or 628 finish	Each	\$25.00
	22-0332-02-XXX	Upper Cover, select US3 or US4 finish (605 or 606)	Each	\$55.00
	22-0332-04-XXX	Upper Cover, select US32 or US32D finish (629 or 630)	Each	\$45.00
6	24-0003-01-XXX	Rod Guide Cover, select 313 or 335 or 628 finish	Each	\$55.00
	24-0031-XXX	Rod Guide Cover, select US3 or US4 finish (605 or 606)	Each	\$150.00
	24-0033-XXX	Rod Guide Cover, select US32 or US32D finish (629 or 630)	Each	\$90.00
7	41-0903-IP	End Cap (Hinge) - Metal	Each	\$18.00
8	31-0265-IP	Dogging Ass'y (Complete)	Each	\$16.00
9	29-0481-MP	Dogging Key	Pkg. of 10	\$26.00
10	Push Bar - 313, 335, 628 finish	Push Bar Ass'y: Order by Exit Device Series (8100), door opening width and 313, 335, or 628 finish	Each	\$115.00
	Push Bar - 630 finish	Push Bar Ass'y: Order by Exit Device Series (8100), door opening width and US32D (630) finish	Each	\$310.00
	Push Bar - 605, 606, 629 finish	Push Bar Ass'y: Order by Exit Device Series (8100), door opening width and 605, 606, or 629 finish (US3, US4, US32)	Each	\$350.00
11	22-0275-01-XXX	Lower Cover, select 313 or 335 or 628 finish	Each	\$25.00
	22-0275-02-XXX	Lower Cover, select US3 or US4 finish (605 or 606)	Each	\$55.00
	22-0275-04-XXX	Lower Cover, select US32 or US32D finish (629 or 630)	Each	\$45.00
12	23-0024	Lower Housing	Each	\$25.00
13	4005	Threshold Strike (Wood)	Each	LIST
14	25-0284-MP	Bolt Guide Bushing	Pkg. of 10	\$6.00
15	31-0175	Lower Bolt Guide Ass'y	Each	\$15.00
16	31-0192-02	Lower Rod Ass'y	Each	\$30.00
17	41-0902-04-IP	End Cap Ass'y (Nose) - Metal	Each	\$22.00
18	25-0008	Molding Clip	Each	\$6.00
19	31-0191	Center Block Ass'y	Each	\$116.00
	31-0191-01	Center Block Ass'y - Top Rod Only	Each	\$116.00
20	41-0282-01	SVR Final Ass'y (Complete W/Rods)	Each	\$185.00
	41-0333-11	SVR Final Ass'y Top Rod	Each	\$126.00
21	31-0235-01	Upper Rod Ass'y	Each	\$37.00
22	26-0584-652-MP	Binder Post with Screws	2 Pack	\$20.00
23	8736-01-XX-XXX	Rim Cylinder	Each	LIST
NS	80-0180-198-01	Template, 8100 (Device)	Each	\$10.00
NS	80-0180-198-02	Template, 8100 (Strike)	Each	\$10.00
NS	80-0180-194	Installation Sheet, 8100 (Metal Frame)	Each	Email only
NS	80-0180-195	Installation Sheet, 8100 (Wood Frame)	Each	Email only
*	91-0831-01-335	Screw Pack (313 / 335)	Each	\$7.00
*	91-0831-01-605	Screw Pack (605 / 606)	Each	\$8.00
*	91-0831-01-630	Screw Pack (628 / 629 / 630)	Each	\$7.00

LIST = Refer to current pricelist  
NS = Not shown

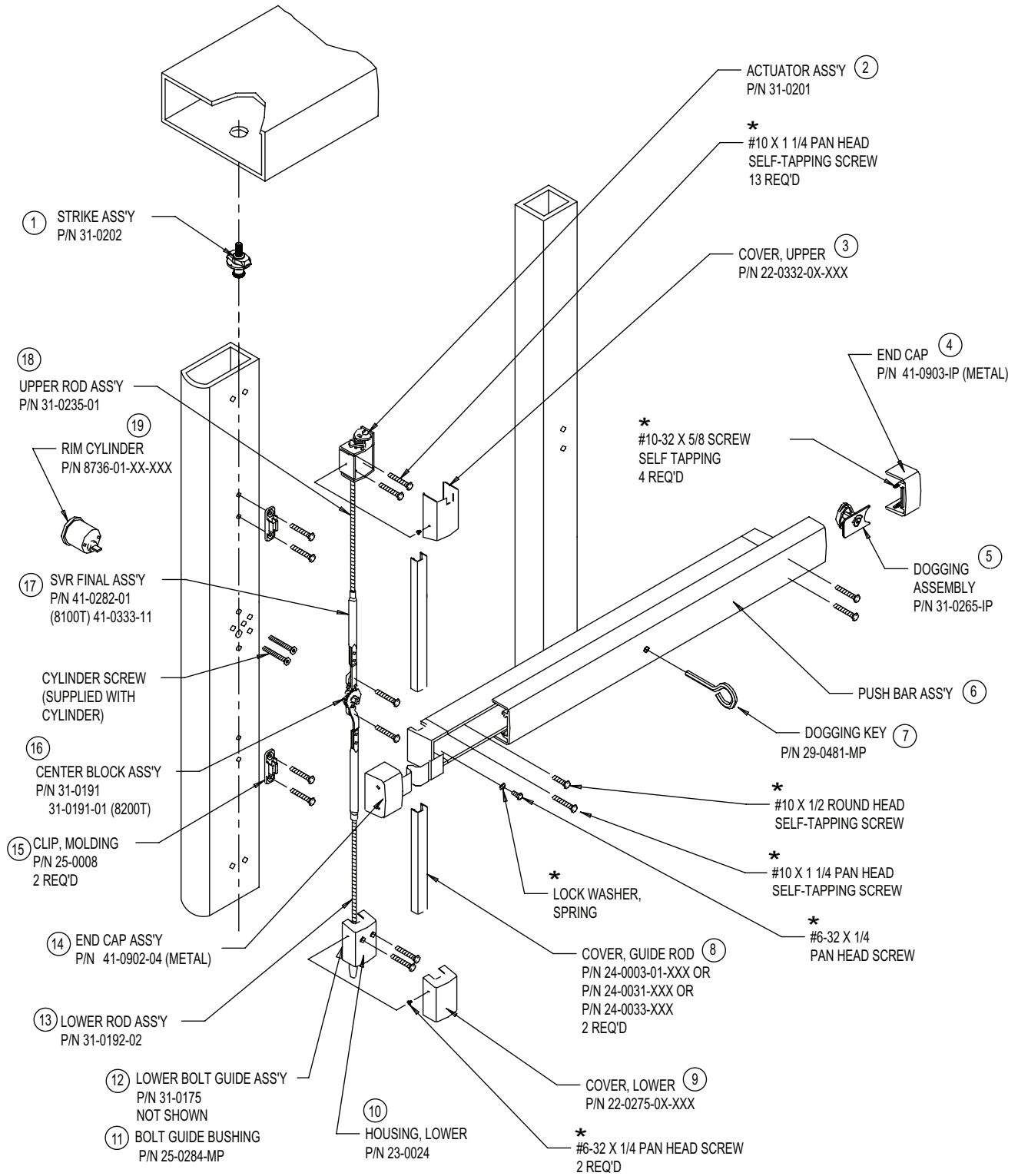
ASSA ABLOY, the global leader in door opening solutions



800.872.3267 • Fax 800.232.7329  
10027 S. 51st Street, Ste 102  
Phoenix, Arizona 85044  
www.adamsrite.com

# 8200 Series

## SURFACE VERTICAL ROD



\* INCLUDED IN 91-0831-01-XXX SCREW PACK

# 8200 Series

## SURFACE VERTICAL ROD

### 8200 Series Narrow Stile Surface Vertical Rod

ITEM	PART NUMBER	DESCRIPTION	UNITS PKGD	2015 PRICE
1	31-0202	Strike Plate Ass'y	Each	\$26.00
2	31-0201	Actuator Ass'y	Each	\$33.00
3	22-0332-01-XXX	Upper Cover, select 313 or 335 or 628 finish	Each	\$25.00
	22-0332-02-XXX	Upper Cover, select US3 or US4 finish (605 or 606)	Each	\$55.00
	22-0332-04-XXX	Upper Cover, select US32 or US32D finish (629 or 630)	Each	\$45.00
4	41-0903-IP	End Cap (Hinge) - Metal	Each	\$18.00
5	31-0265-IP	Dogging Ass'y (Complete)	Each	\$16.00
6	Push Bar - 313, 335, 628 finish	Push Bar Ass'y: Order by Exit Device Series (8200), door opening width and 313, 335, or 628 finish	Each	\$115.00
	Push Bar - 630 finish	Push Bar Ass'y: Order by Exit Device Series (8200), door opening width and US32D (630) finish	Each	\$310.00
	Push Bar - 605, 606, 629 finish	Push Bar Ass'y: Order by Exit Device Series (8200), door opening width and 605, 606, or 629 finish (US3, US4, US32)	Each	\$350.00
7	29-0481-MP	Dogging Key	Pkg. of 10	\$26.00
8	24-0003-01-XXX	Rod Guide Cover, select 313 or 335 or 628 finish	Each	\$55.00
	24-0031-XXX	Rod Guide Cover, select US3 or US4 finish (605 or 606)	Each	\$150.00
	24-0033-XXX	Rod Guide Cover, select US32 or US32D finish (629 or 630)	Each	\$90.00
9	22-0275-01-XXX	Lower Cover, select 313 or 335 or 628 finish	Each	\$25.00
	22-0275-02-XXX	Lower Cover, select US3 or US4 finish (605 or 606)	Each	\$55.00
	22-0275-04-XXX	Lower Cover, select US32 or US32D finish (629 or 630)	Each	\$45.00
10	23-0024	Lower Housing	Each	\$25.00
11	25-0284-MP	Bolt Guide Bushing	Pkg. of 10	\$6.00
12	31-0175	Lower Bolt Guide Ass'y	Each	\$15.00
13	31-0192-02	Lower Rod Ass'y	Each	\$30.00
14	41-0902-04-IP	End Cap Ass'y (Nose) - Metal	Each	\$22.00
15	25-0008	Molding Clip	Each	\$6.00
16	31-0191	Center Block Ass'y	Each	\$116.00
	31-0191-01	Center Block Ass'y - Top Rod Only	Each	\$116.00
17	41-0282-01	SVR Final Ass'y (complete with rods)	Each	\$185.00
	41-0333-11	SVR Final Ass'y (Top rod only)	Each	\$126.00
18	31-0235-01	Upper Rod Ass'y	Each	\$37.00
19	8736-01-XX-XXX	Rim Cylinder	Each	LIST
NS	80-0180-199-01	Template, 8200 (Device)	Each	\$10.00
NS	80-0180-199-02	Template, 8200 (Strike)	Each	\$10.00
NS	80-0180-196	Installation Sheet, 8200	Each	Email only
*	91-0831-01-335	Screw Pack (313 / 335)	Each	\$7.00
*	91-0831-01-605	Screw Pack (605 / 606)	Each	\$8.00
*	91-0831-01-630	Screw Pack (628 / 629 / 630)	Each	\$7.00

LIST = Refer to current pricelist

NS = Not shown

Note: Consult Factory For Doors Over 54 Inches Above Push Bar.

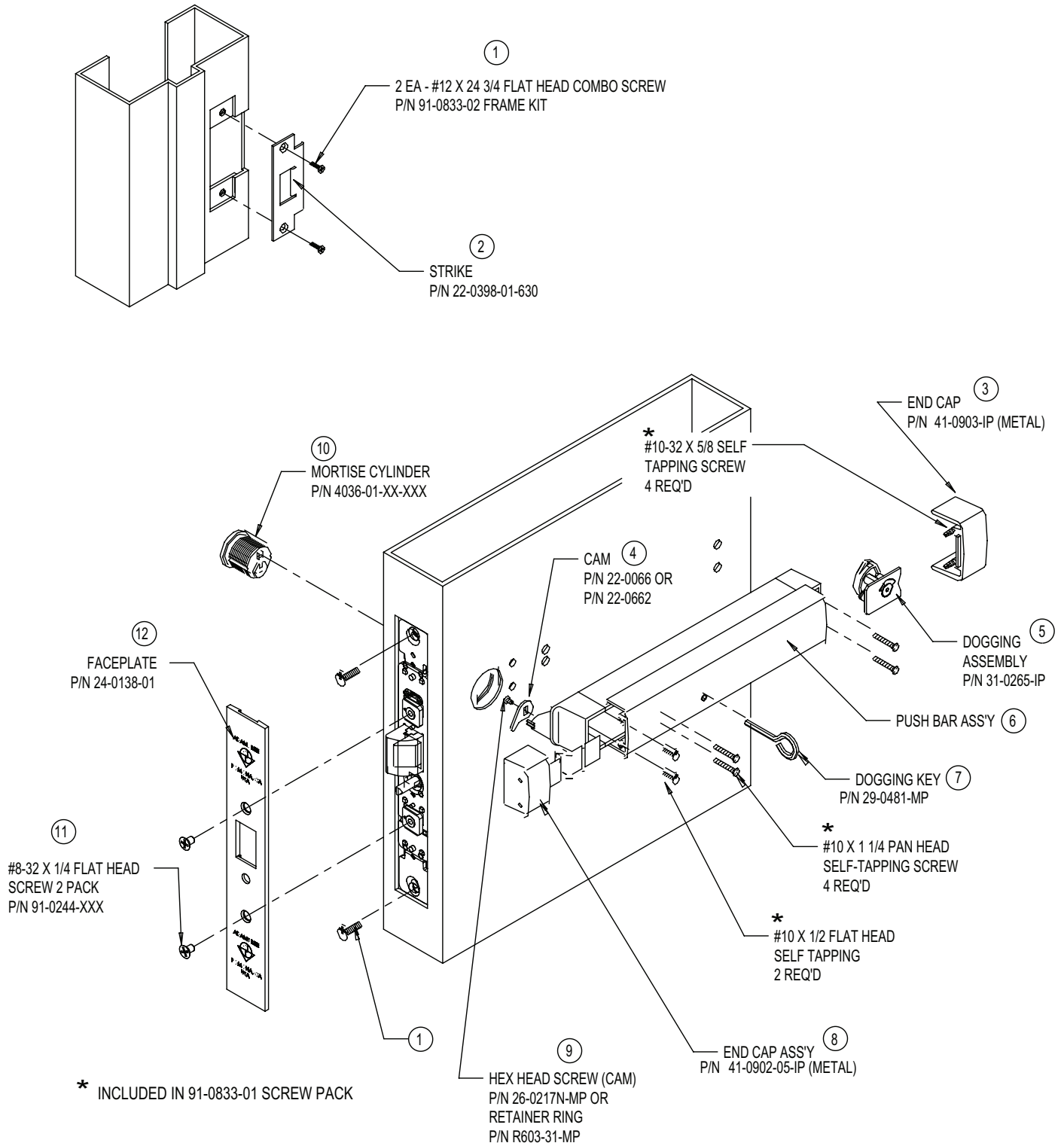
ASSA ABLOY, the global leader in door opening solutions



800.872.3267 • Fax 800.232.7329  
 10027 S. 51st Street, Ste 102  
 Phoenix, Arizona 85044  
[www.adamsrite.com](http://www.adamsrite.com)

# 8300 Series

## MORTISE EXIT DEVICE



# 8300 Series

## MORTISE EXIT DEVICE

### 8300 Series Mortise Exit Device

ITEM	PART NUMBER	DESCRIPTION	UNITS PKGD	2015 PRICE
1	91-0833-02	#12 × 24 3/4 Flat Head Combo Screw	Each	\$4.00
2	22-0398-01-630	Strike	Each	\$22.00
3	41-0903-IP	End Cap (Hinge) - Metal	Each	\$18.00
4	22-0066	Cam (Latchbolt Retract) Screw Attachment	Each	\$8.00
	22-0662	Cam (Latchbolt Retract) Retainer Clip Attachment	Each	\$8.00
5	31-0265-IP	Dogging Ass'y (Complete)	Each	\$16.00
6	Push Bar - 313, 335, 628 finish	Push Bar Ass'y: Order by Exit Device Series (8300), door opening width and 313, 335, or 628 finish	Each	\$115.00
	Push Bar - 630 finish	Push Bar Ass'y: Order by Exit Device Series (8300), door opening width and US32D (630) finish	Each	\$310.00
	Push Bar - 605, 606, 629 finish	Push Bar Ass'y: Order by Exit Device Series (8300), door opening width and 605, 606, or 629 finish (US3, US4, US32)	Each	\$350.00
7	29-0481-MP	Dogging Key	Pkg. of 10	\$26.00
8	41-0902-05-IP	End Cap Ass'y (Nose) - Metal	Each	\$22.00
9	26-0217-MP	#6 Hex Head Screw (Cam)	Pkg. of 10	\$13.00
	R603-31-MP	Retainer Ring (Past Production)	Pkg. of 10	\$12.00
10	4036-01-XX-XXX	Mortise Cylinder	Each	LIST
11	91-0244-XXX	2 - #8-32 × 1/4 Flat Head Screws, select 313, 335, or 628 finish	Pkg. of 2	\$4.00
12	24-0138-01-XXX	Faceplate with Screws, select 313, 335, or 628 finish	Each	LIST
NS	80-0180-122-01	Template, 8300 (Device)	Each	\$10.00
NS	80-0180-122-02	Template, 8300 (Strike)	Each	\$10.00
NS	80-0180-36	Installation Sheet, 8300	Each	Email only
*	91-0833-01	Screw Pack	Each	\$7.00

LIST = Refer to current pricelist

NS = Not shown

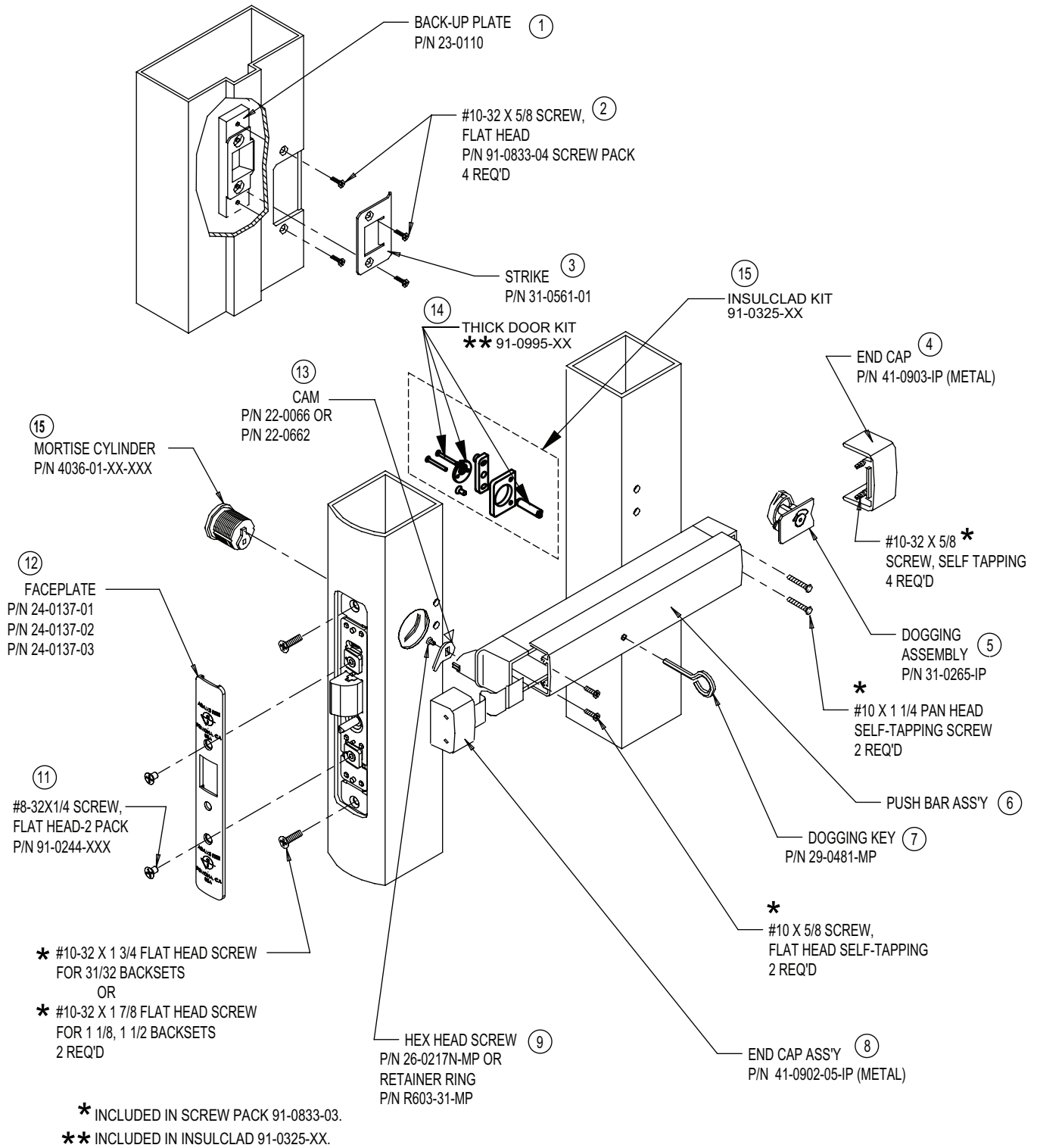
ASSA ABLOY, the global leader in door opening solutions



800.872.3267 • Fax 800.232.7329  
 10027 S. 51st Street, Ste 102  
 Phoenix, Arizona 85044  
[www.adamsrite.com](http://www.adamsrite.com)

# 8400 Series

## MORTISE EXIT DEVICE





# 8400 Series

## MORTISE EXIT DEVICE

### 8400 Series Narrow Stile Mortise Exit Device

ITEM	PART NUMBER	DESCRIPTION	UNITS PKGD	2015 PRICE
1	23-0110	Back-up Plate	Each	\$10.00
2	91-0833-04	10-32 × 5/8 Screw, Flat Head	Pkg. of 10	\$6.00
3	31-0561-01	Strike Ass'y	Each	\$13.00
4	41-0903-IP	End Cap (Hinge) - Metal	Each	\$18.00
5	31-0265-IP	Dogging Ass'y (Complete)	Each	\$16.00
6	Push Bar - 313, 335, 628 finish	Push Bar Ass'y: Order by Exit Device Series (8400), door opening width and 313, 335, or 628 finish	Each	\$115.00
	Push Bar - 630 finish	Push Bar Ass'y: Order by Exit Device Series (8400), door opening width and US32D (630) finish	Each	\$310.00
	Push Bar - 605, 606, 629 finish	Push Bar Ass'y: Order by Exit Device Series (8400), door opening width and 605, 606, or 629 finish (US3, US4, US32)	Each	\$350.00
7	29-0481-MP	Dogging Key	Pkg. of 10	\$26.00
8	41-0902-05-IP	End Cap Ass'y (Nose) - Metal	Each	\$22.00
9	26-0217-MP	#6 Hex Head Screw (Cam)	Pkg. of 10	\$13.00
	R603-31-MP	Retainer Ring (Past Production)	Pkg. of 10	\$12.00
10	See 4900 Series	Latch Ass'y (1-1/8, 1-1/2" RHR/LHR)	Each	See 4900 Series
11	91-0244-XXX	2 - #8-32 × 1/4 Flat Head Screws, select 313, 335, or 628 finish	Pkg. of 2	\$4.00
12	24-0017-0220-XXX	Faceplate with Screws, (Flat)	Each	LIST
	24-0017-1220-XXX	Faceplate with Screws, (Radius)	Each	LIST
	24-0017-2220-XXX	Faceplate with Screws, (Bevel, RHR)	Each	LIST
	24-0017-3220-XXX	Faceplate with Screws, (Bevel, LHR)	Each	LIST
	24-0017-4220-XXX	Faceplate with Screws, (Radius - Weatherseal)	Each	LIST
	24-0137-01-XXX	Faceplate with Screws, Flat 1-1/8", 1-1/2" Backset	Each	LIST
	24-0137-01-XXX	Faceplate with Screws, Radius 1-1/8", 1-1/2" Backset	Each	LIST
	24-0137-01-XXX	Faceplate with Screws, Radius w/Weatherseal 1-1/8", 1-1/2" Backset	Each	LIST
13	22-0066	Cam (Latchbolt Retract) Screw Attachment	Each	\$8.00
	22-0662	Cam (Latchbolt Retract) Retainer Ring Attachment	Each	\$8.00
14	91-0995-02	Thick Door kit for 2" door	Each	LIST
	91-0995-03	Thick Door kit for 2-1/4" door	Each	LIST
	91-0995-04	Thick Door kit for 2-1/2" door	Each	LIST
	91-0995-05	Thick Door kit for 2-3/4" door	Each	LIST
	91-0325-01	Thermal Clad Kit for 1-3/4" Door with 1/4" cladding	Each	LIST
	91-0325-02	Thermal Clad Kit for 1-3/4" Door with 1/2" cladding	Each	LIST
15	4036-01-XX-XXX	Mortise Cylinder	Each	LIST
NS	80-0180-123-01	Template, 8400 (Device)	Each	\$10.00
NS	80-0180-123-02	Template, 8400 (Strike)	Each	\$10.00
NS	80-0180-38	Installation Sheet, 8400	Each	Email only
*	91-0833-03	Screw Pack	Each	\$5.00

LIST = Refer to current pricelist  
NS = Not shown

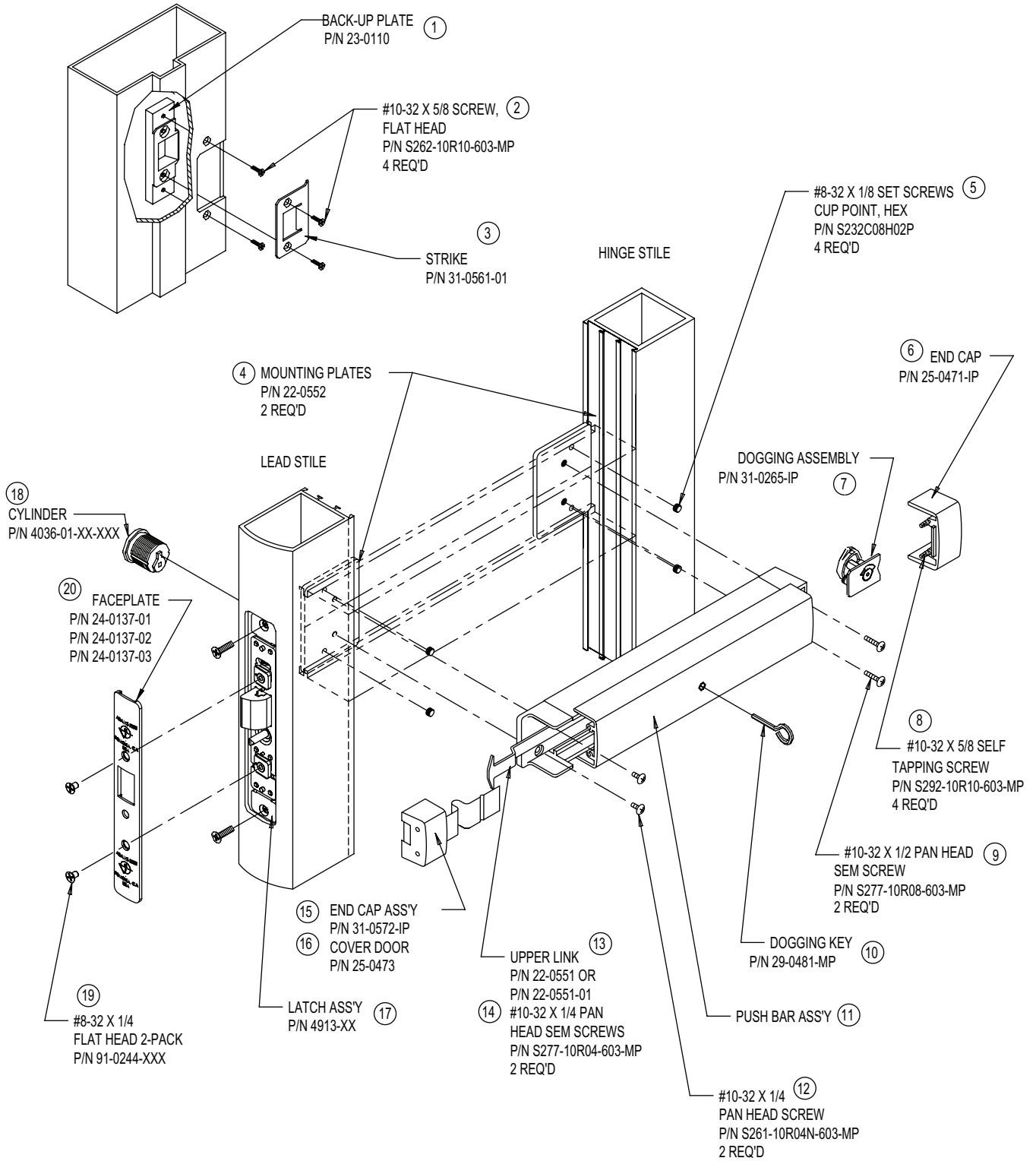
ASSA ABLOY, the global leader in door opening solutions



800.872.3267 • Fax 800.232.7329  
10027 S. 51st Street, Ste 102  
Phoenix, Arizona 85044  
www.adamsrite.com

# 8475

## MORTISE EXIT DEVICE



# 8475

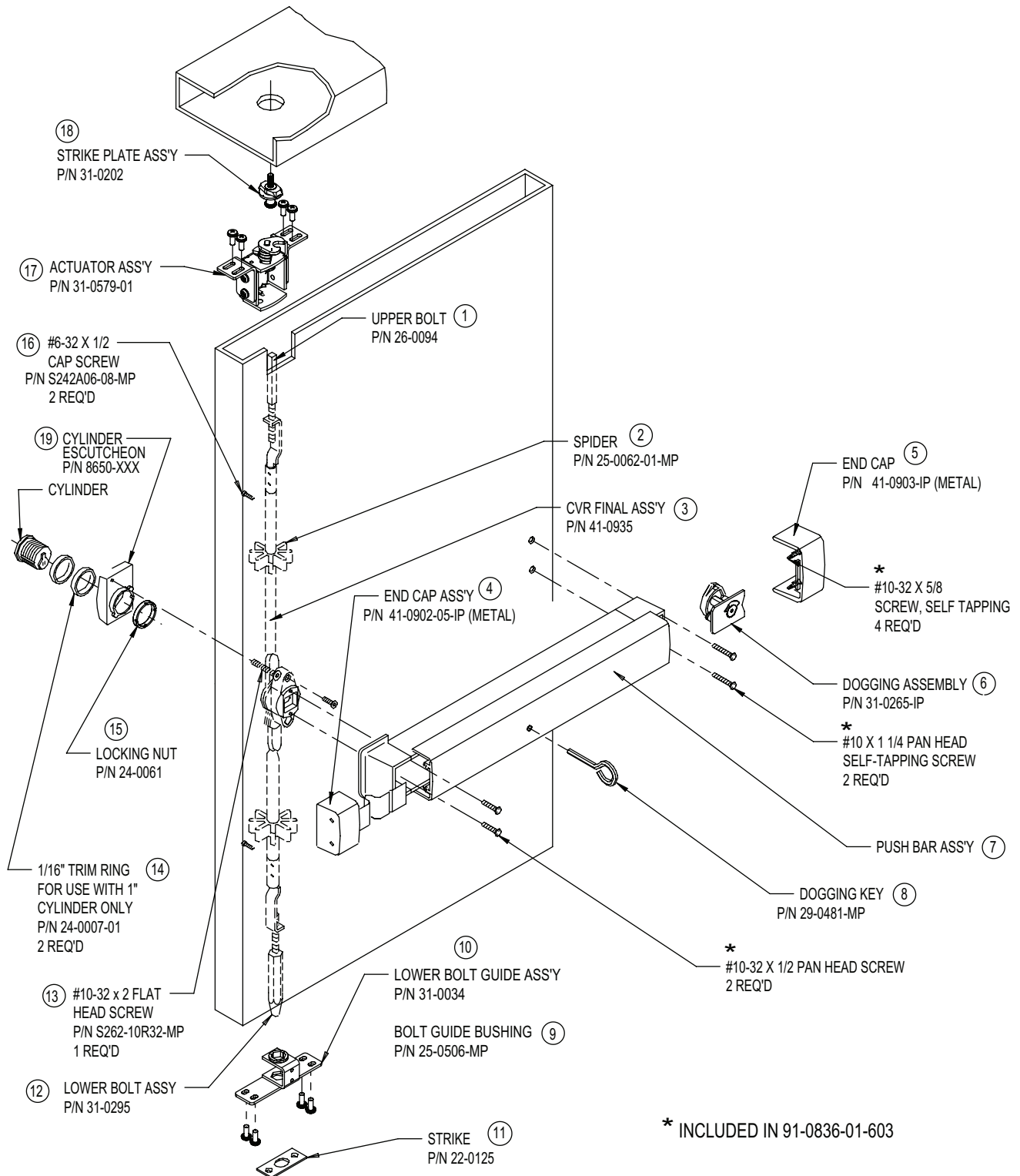
## MORTISE EXIT DEVICE

### 8475 Midpanel Mortise Exit Device

ITEM	PART NUMBER	DESCRIPTION	UNITS PKGD	2015 PRICE
1	23-0110	Back-up Plate	Each	\$10.00
2	S262-10R10N-603-MP	#10-32 × 5/8 Flat Head Screw	Pkg. of 10	\$6.00
3	31-0561-01	Strike Ass'y	Each	\$13.00
4	22-0552	Mounting Plate	Each	\$5.00
5	S232C08H02P	#8-32 × 1/8 Cup Point Set Screw	Pkg. of 10	\$9.00
6	25-0471-IP	End Cap (Hinge)	Each	\$8.00
7	31-0265-IP	Dogging Ass'y (Complete)	Each	\$16.00
8	S292-10R10-603-MP	#10-32 × 5/8 Self Tapping Screw	Pkg. of 10	\$7.00
9	S277-10R08-603-MP	#10-32 × 1/2 Pan Head SEM Screw	Pkg. of 10	\$6.00
10	29-0481-MP	Dogging Key	Pkg. of 10	\$26.00
11	Push Bar - 313, 335, 628 finish	Push Bar Ass'y: Order by Exit Device Series (8475), door opening width and 313, 335, or 628 finish	Each	\$115.00
	Push Bar - 630 finish	Push Bar Ass'y: Order by Exit Device Series (8475), door opening width and US32D (630) finish	Each	\$310.00
	Push Bar - 605, 606, 629 finish	Push Bar Ass'y: Order by Exit Device Series (8475), door opening width and 605, 606, or 629 finish (US3, US4, US32)	Each	\$350.00
12	S261-10R04N603-MP	#10-32 × 1/4 Pan Head Screw	Pkg. of 10	\$6.00
13	22-0551	Upper Link (Narrow Stile)	Each	\$9.00
	22-0551-01	Upper Link (Medium/Wide Stile)	Each	\$10.00
14	S277-10R04-603-MP	#10-32 × 1/4 Pan Head SEM Screw (Link)	Pkg. of 10	\$8.00
15	31-0572-IP	End Cap Ass'y (Nose Complete)	Each	\$15.00
16	25-0473	Cover Door	Each	\$6.00
17	See 4900 Series	Latch Ass'y (1-1/8", 1-1/2" Backset )	Each	See 4900 Series
18	4036-01-XX-XXX	Mortise Cylinder	Each	LIST
19	91-0244-XXX	2 - #8-32 × 1/4 Flat Head Screws, select 313, 335, or 628 finish	Pkg. of 2	\$4.00
20	24-0137-01-XXX	Faceplate with Screws, Flat, RHR/LHR Bevel	Each	LIST
	24-0137-02-XXX	Faceplate with Screws, Radius	Each	LIST
	24-0137-03-XXX	Faceplate with Screws, Radius - Weatherseal	Each	LIST
NS	80-0180-138	Installation Sheet, 8475	Each	Email only

LIST = Refer to current pricelist  
NS = Not shown

# 8500 Series CONCEALED VERTICAL ROD



# 8500 Series

## CONCEALED VERTICAL ROD

### 8500 Series Metal Door Concealed Vertical Rod

ITEM	PART NUMBER	DESCRIPTION	UNITS PKGD	2015 PRICE
1	26-0094	Upper Bolt	Each	\$7.00
2	25-0062-01-MP	Spider	Pkg. of 10	\$17.00
3	41-0935	CVR Final Ass'y (Complete with Bolts)	Each	\$140.00
4	41-0902-05-IP	End Cap Ass'y (Nose) - Metal	Each	\$22.00
5	41-0903-IP	End Cap (Hinge) - Metal	Each	\$18.00
6	31-0265-IP	Dogging Ass'y (Complete)	Each	\$16.00
7	Push Bar - 313, 335, 628 finish	Push Bar Ass'y: Order by Exit Device Series (8500), door opening width and 313, 335, or 628 finish	Each	\$115.00
	Push Bar - 630 finish	Push Bar Ass'y: Order by Exit Device Series (8500), door opening width and US32D (630) finish	Each	\$310.00
	Push Bar - 605, 606, 629 finish	Push Bar Ass'y: Order by Exit Device Series (8500), door opening width and 605, 606, or 629 finish (US3, US4, US32)	Each	\$350.00
8	29-0481-MP	Dogging Key	Pkg. of 10	\$26.00
9	25-0506-MP	Bolt Guide Bushing	Pkg. of 10	\$6.00
10	31-0034	Lower Bolt Guide Ass'y	Each	\$7.00
11	22-0125	Strike	Each	\$17.00
12	31-0295	Lower Bolt Ass'y	Each	\$13.00
13	S262-10R32-603-MP	#10-32 x 2 Flat Head Screw	Pkg. of 10	\$5.00
14	24-0007-01	1/16" Trim Ring (For 1" Cylinder - 2 Req'd)	Each	\$11.00
15	24-0061	Locking Nut	Each	\$6.00
16	S242A06-08-MP	#6-32 x 1/2 Cap Screw (Rod Piercing)	Pkg. of 10	\$9.00
17	31-0579-01	Actuator Ass'y (Top)	Each	\$79.00
18	31-0202	Strike Plate Ass'y	Each	\$26.00
19	8650-XXX	Cylinder Escutcheon Kit	Each	LIST
NS	80-0180-39-01	Template, 8500 (Device)	Each	\$10.00
NS	80-0180-39-02	Template, 8500 (Strike)	Each	\$10.00
NS	80-0180-51	Installation Sheet, 8500	Each	Email only
*	91-0836-01-603	Screw Pack	Each	\$11.00

LIST = Refer to current pricelist

NS = Not shown

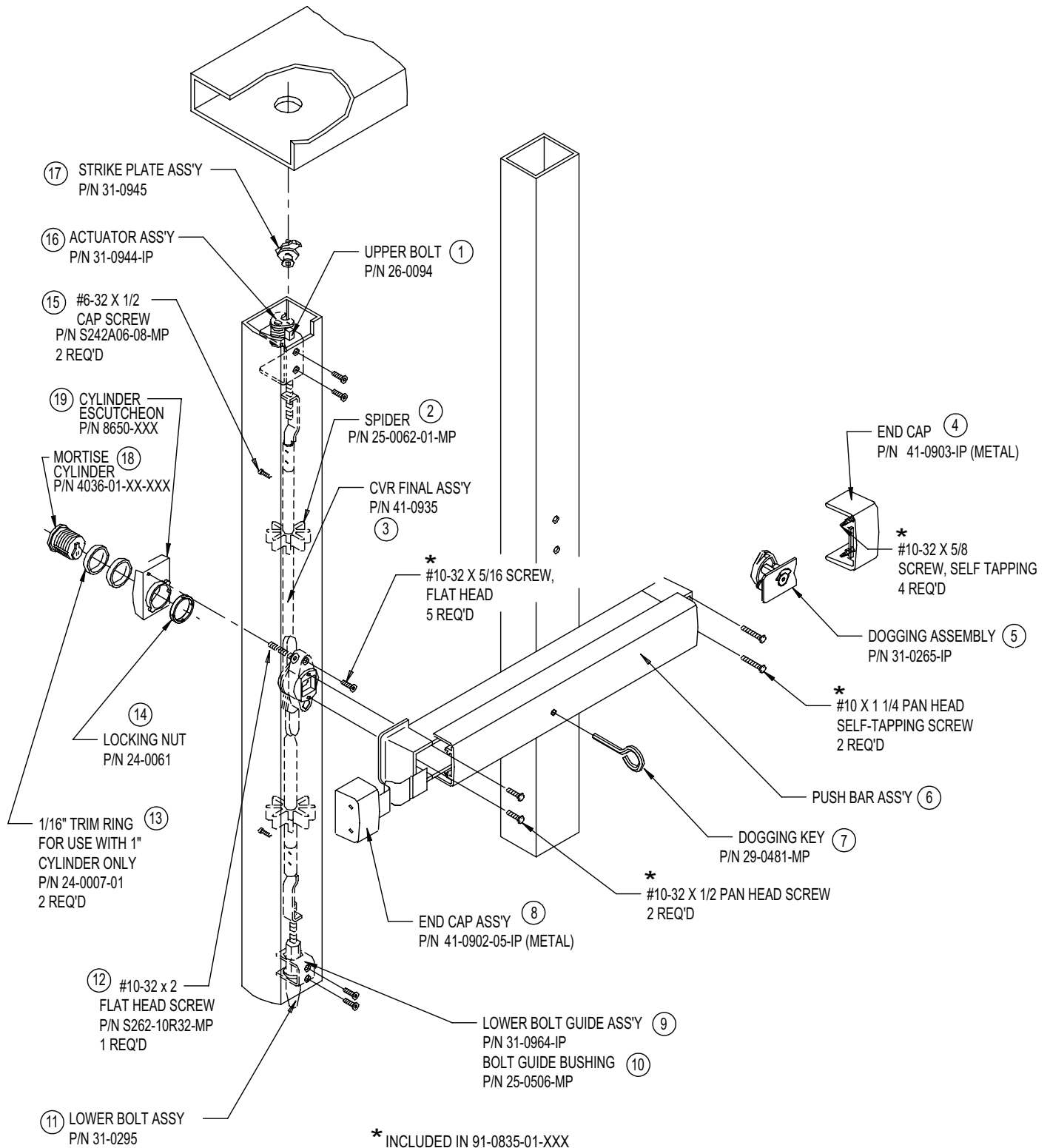
Note: Consult Factory For Doors Over 66 Inches Above Pushbar.

ASSA ABLOY, the global leader in door opening solutions



800.872.3267 • Fax 800.232.7329  
 10027 S. 51st Street, Ste 102  
 Phoenix, Arizona 85044  
[www.adamsrite.com](http://www.adamsrite.com)

# 8600 Series CONCEALED VERTICAL ROD



# 8600 Series

## CONCEALED VERTICAL ROD

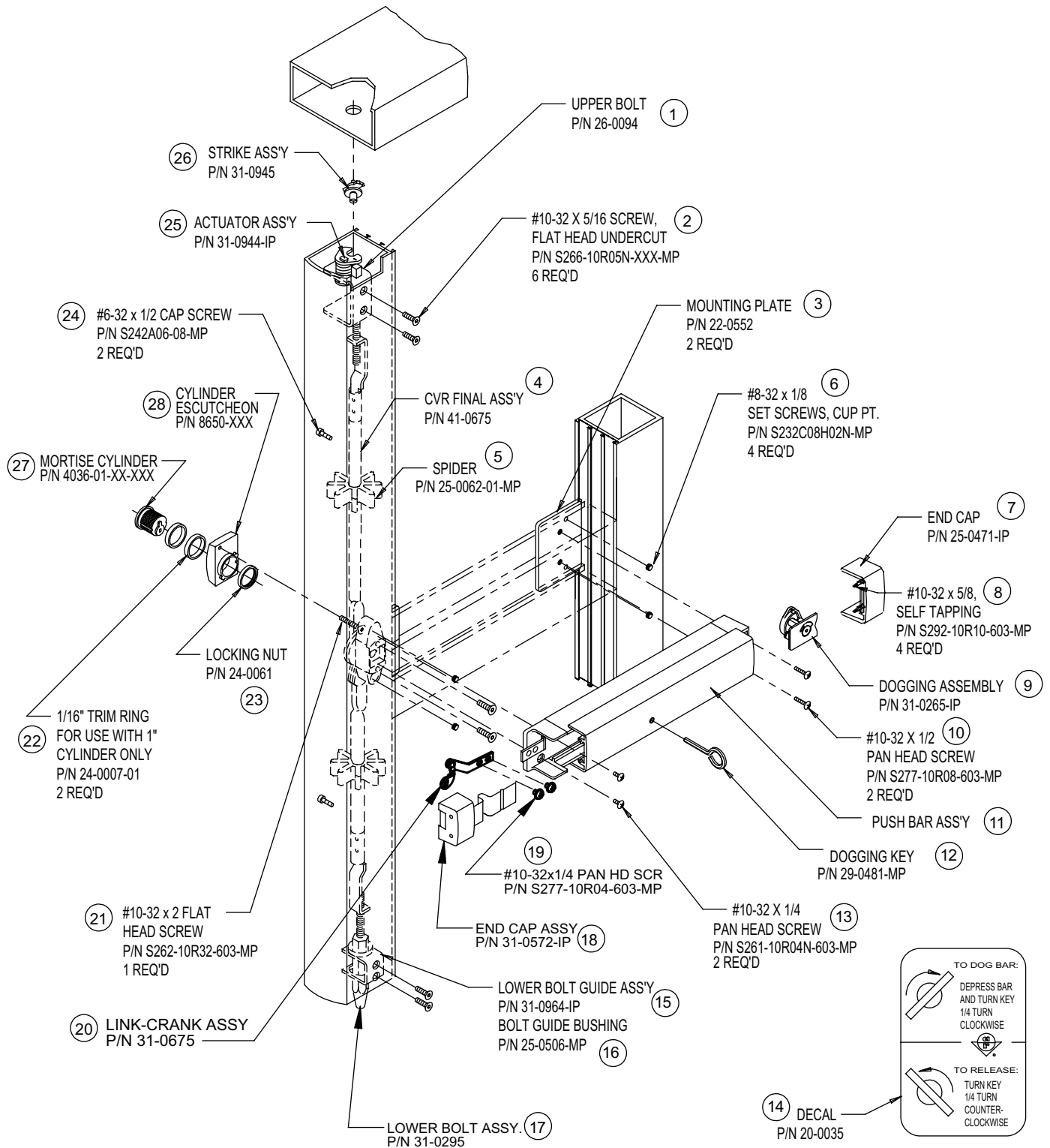
### 8600 Series Narrow Stile Concealed Vertical Rod

ITEM	PART NUMBER	DESCRIPTION	UNITS PKGD	2015 PRICE
1	26-0094	Upper Bolt	Each	\$7.00
2	25-0062-01-MP	Spider	Pkg. of 10	\$17.00
3	41-0935	CVR Final Ass'y (complete with bolts)	Each	\$140.00
4	41-0903-IP	End Cap (Hinge) - Metal	Each	\$18.00
5	31-0265-IP	Dogging Ass'y (Complete)	Each	\$16.00
6	Push Bar - 313, 335, 628 finish	Push Bar Ass'y: Order by Exit Device Series (8600), door opening width and 313, 335, or 628 finish	Each	\$115.00
	Push Bar - 630 finish	Push Bar Ass'y: Order by Exit Device Series (8600), door opening width and US32D (630) finish	Each	\$310.00
	Push Bar - 605, 606, 629 finish	Push Bar Ass'y: Order by Exit Device Series (8600), door opening width and 605, 606, or 629 finish (US3, US4, US32)	Each	\$350.00
7	29-0481-MP	Dogging Key	Pkg. of 10	\$26.00
8	41-0902-05-IP	End Cap Ass'y (Nose) - Metal	Each	\$22.00
9	31-0964-IP	Lower Bolt Guide Ass'y	Each	\$6.00
10	25-0506-MP	Bolt Guide Bushing	Pkg. of 10	\$6.00
11	31-0295	Lower Bolt Ass'y	Each	\$13.00
12	S262-10R32-603-MP	#10-32 x 2 Flat Head Screw	Pkg. of 10	\$5.00
13	24-0007-01	1/16" Trim Ring (For 1" Cylinder - 2 req'd)	Each	\$11.00
14	24-0061	Locking Nut	Each	\$6.00
15	S242A06-08-MP	#6-32 x 1/2 Cap Screw (Rod Piercing)	Pkg. of 10	\$9.00
16	31-0944-IP	Actuator Ass'y (Top)	Each	\$27.00
17	31-0945	Strike Plate Ass'y	Each	\$17.00
18	4036-01-XX-XXX	Mortise Cylinder	Each	LIST
19	8650-XXX	Cylinder Escutcheon Kit	Each	LIST
NS	80-0180-39-01	Template, 8600 (Device)	Each	\$10.00
NS	80-0180-39-02	Template, 8600 (Strike)	Each	\$10.00
NS	80-0180-51	Installation Sheet, 8600	Each	Email only
*	91-0835-01-603	Screw Pack	Each	\$4.00

LIST = Refer to current pricelist  
NS = Not shown

# 8675

## CONCEALED VERTICAL ROD





# 8675 CONCEALED VERTICAL ROD

## 8675 Concealed Vertical Rod Midpanel Exit Device

ITEM	PART NUMBER	DESCRIPTION	UNITS PKGD	2015 PRICE
1	26-0094	Upper Bolt	Each	\$7.00
2	S266-10R05N-603-MP	#10-32 x 5/16 Flat Head Screw	Pkg. of 10	\$8.00
3	22-0552	Mounting Plate	Each	\$5.00
4	41-0675	CVR Final Ass'y (Complete with Bolts)	Each	\$128.00
5	25-0062-01-MP	Spider	Pkg. of 10	\$17.00
6	S232C08H02N-MP	#8-32 x 1/8 Cup Point Set Screw	Pkg. of 10	\$15.00
7	25-0471-IP	End Cap (Hinge)	Each	\$8.00
8	S292-10R10-603-MP	#10-32 x 5/8 Self Tapping Screw	Pkg. of 10	\$7.00
9	31-0265-IP	Dogging Ass'y (Complete)	Each	\$16.00
10	S277-10R08-603-MP	#10-32 x 1/2 Pan Head SEM Screw	Pkg. of 10	\$6.00
11	Push Bar - 313, 335, 628 finish	Push Bar Ass'y: Order by Exit Device Series (8475), door opening width and 313, 335, or 628 finish	Each	\$115.00
	Push Bar - 630 finish	Push Bar Ass'y: Order by Exit Device Series (8475), door opening width and US32D (630) finish	Each	\$310.00
	Push Bar - 605, 606, 629 finish	Push Bar Ass'y: Order by Exit Device Series (8475), door opening width and 605, 606, or 629 finish (US3, US4, US32)	Each	\$350.00
12	29-0481-MP	Dogging Key	Pkg. of 10	\$26.00
13	S261-10R04N-603-MP	#10-32 x 1/4 Pan Head Screw	Pkg. of 10	\$6.00
14	20-0035	Decal (Dogging Instructions)	Each	\$12.00
15	31-0964-IP	Lower Bolt Guide Ass'y	Each	\$6.00
16	25-0506-MP	Bolt Guide Bushing	Pkg. of 10	\$6.00
17	31-0295	Lower Bolt Ass'y	Each	\$13.00
18	31-0572-IP	End Cap Ass'y (Nose Complete)	Each	\$15.00
19	S277-10R04-603-MP	#10-32 x 1/4 Pan Head SEM Screw (Link)	Pkg. of 10	\$8.00
20	31-0675	Link-Crank Ass'y	Each	\$7.00
21	S262-10R32-603-MP	#10-32 x 2 Flat Head Screw	Pkg. of 10	\$5.00
22	24-0007-01	1/16" Trim Ring (For 1" Cylinder - 2 req'd)	Each	\$11.00
23	24-0061	Locking Nut	Each	\$6.00
24	S242A06-08-MP	#6-32 x 1/2 Cap Screw (Rod Piercing)	Pkg. of 10	\$9.00
25	31-0944-IP	Actuator Ass'y (Top)	Each	\$27.00
26	31-0945	Strike Plate Ass'y	Each	\$17.00
27	4036-01-XX-XXX	Mortise Cylinder	Each	LIST
28	8650-XXX	Cylinder Escutcheon Kit	Each	LIST
NS	80-0180-137	Installation Sheet, 8675 (Device)	Each	Email only
NS	80-0180-134	Installation Sheet, 8675 (Strike)	Each	Email only

LIST = Refer to current pricelist

NS = Not shown

Note: Consult Factory For Doors Over 66 Inches Above Pushbar.

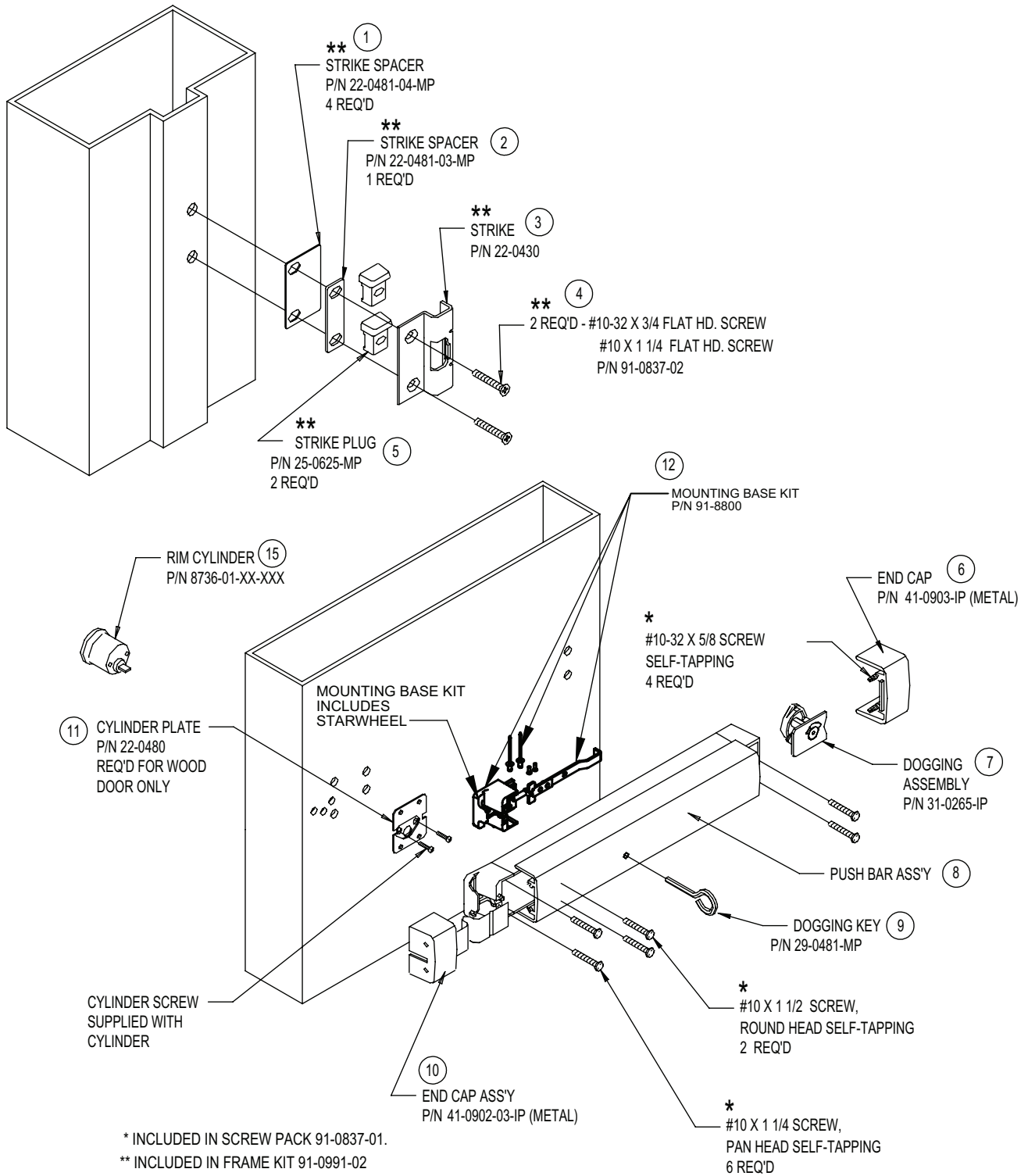
ASSA ABLOY, the global leader in door opening solutions



800.872.3267 • Fax 800.232.7329  
10027 S. 51st Street, Ste 102  
Phoenix, Arizona 85044  
www.adamsrite.com

# 8700 Series

## RIM EXIT DEVICE



# 8700 Series

## RIM EXIT DEVICE

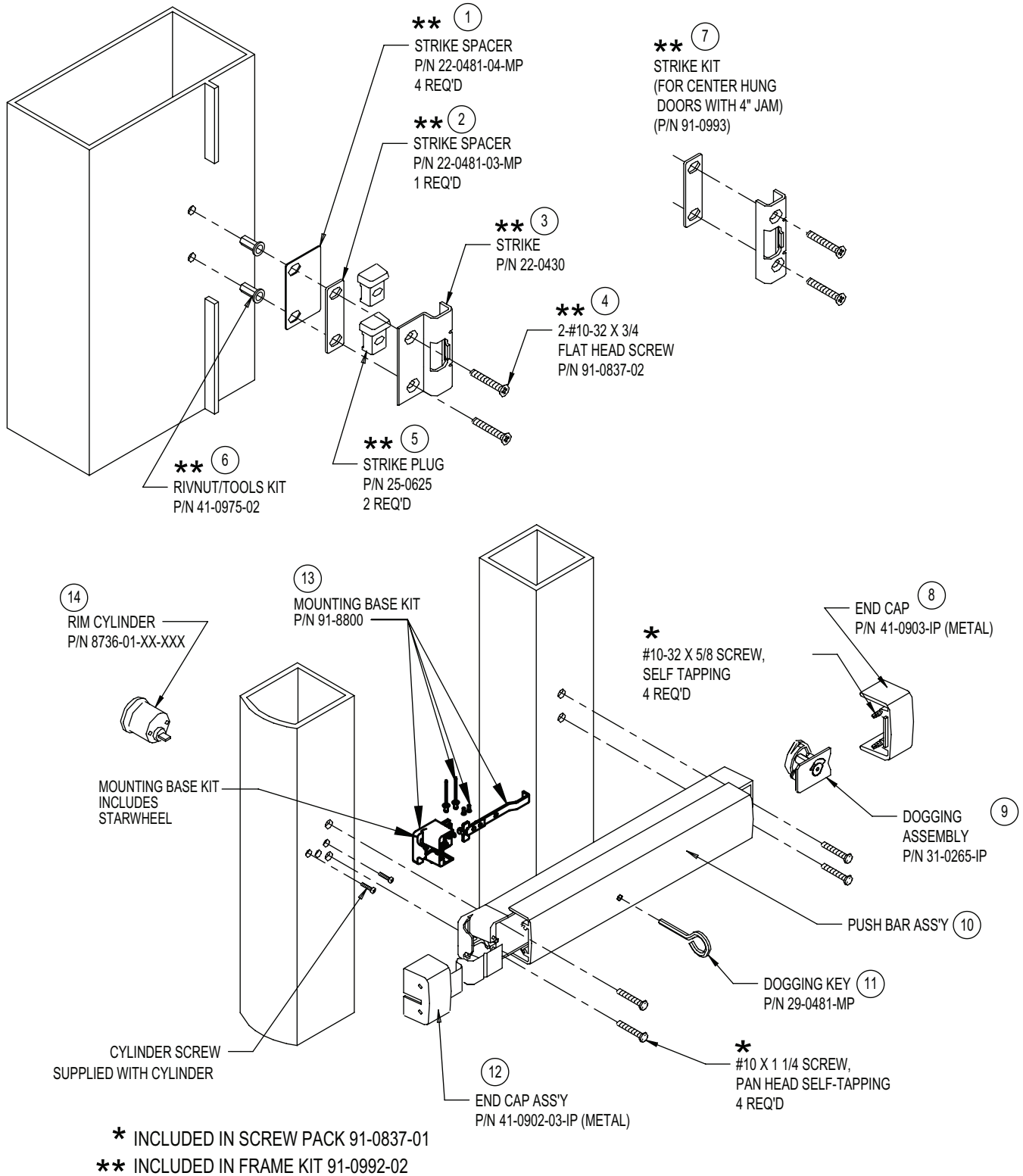
### 8700 Series Rim Exit Device

ITEM	PART NUMBER	DESCRIPTION	UNITS PKGD	2015 PRICE
1	22-0481-04-MP	Strike Spacer	Pkg. of 10	\$18.00
2	22-0481-03-MP	Strike Spacer (Narrow)	Pkg. of 10	\$18.00
3	22-0430	Strike	Each	\$8.00
4	91-0837-02	2 - #10-32 x 3/4 Flat Head Screws	Each	\$4.00
5	25-0625-MP	Strike Plug	Pkg. of 2	\$7.00
6	41-0903-IP	End Cap (Hinge) - Metal	Each	\$18.00
7	31-0265-IP	Dogging Ass'y (Complete)	Each	\$16.00
8	Push Bar - 313, 335, 628 finish	Push Bar Ass'y: Order by Exit Device Series (8700), door opening width and 313, 335, or 628 finish	Each	\$115.00
	Push Bar - 630 finish	Push Bar Ass'y: Order by Exit Device Series (8700), door opening width and US32D (630) finish	Each	\$310.00
	Push Bar - 605, 606, 629 finish	Push Bar Ass'y: Order by Exit Device Series (8700), door opening width and 605, 606, or 629 finish (US3, US4, US32)	Each	\$350.00
9	29-0481-MP	Dogging Key	Pkg. of 10	\$26.00
10	41-0902-03-IP	End Cap Ass'y (Nose) - Metal	Each	\$22.00
11	22-0480	Cylinder Plate (Wood Doors)	Each	\$9.00
12	91-8800	Mounting Base Kit	Each	\$115.00
15	8736-01-XX-XXX	Rim Cylinder	Each	LIST
NS	80-0180-124-01	Template, 8700 (Device)	Each	\$10.00
NS	80-0180-124-02	Template, 8700 (Strike)	Each	\$10.00
NS	80-0180-40	Installation Sheet, 8700	Each	Email only
*	91-0837-01	Screw Pack	Each	\$4.00
**	91-0991-02	Frame Kit	Each	\$35.00

LIST = Refer to current pricelist  
NS = Not shown

# 8800 Series

## RIM EXIT DEVICE



# 8800 Series

## RIM EXIT DEVICE

### 8800 Series Narrow Stile Rim Exit Device

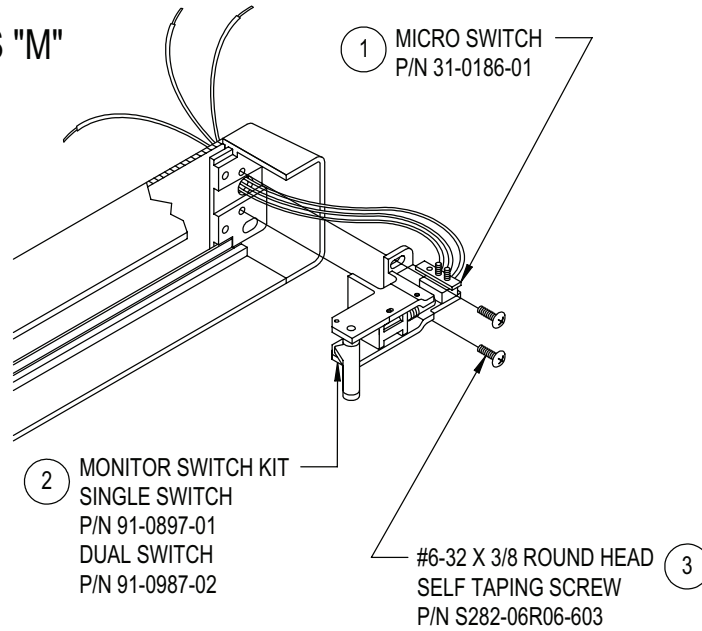
ITEM	PART NUMBER	DESCRIPTION	UNITS PKGD	2015 PRICE
1	22-0481-04-MP	Strike Spacer	Pkg. of 10	\$18.00
2	22-0481-03-MP	Strike Spacer (Narrow)	Pkg. of 10	\$18.00
3	22-0430	Strike	Each	\$8.00
4	91-0837-02	2 - #10-32 x 3/4 Flat Head Screw	Each	\$4.00
5	25-0625-MP	Strike Plug	Pkg. of 2	\$7.00
6	41-0975-02	Rivnut / Tool Kit	Each	\$10.00
7	91-0993	Strike Kit (For Center Hung Door with 4" Jamb)	Each	\$20.00
8	41-0903-IP	End Cap (Hinge) - Metal	Each	\$18.00
9	31-0265-IP	Dogging Ass'y (Complete)	Each	\$16.00
10	Push Bar - 313, 335, 628 finish	Push Bar Ass'y: Order by Exit Device Series (8800), door opening width and 313, 335, or 628 finish	Each	\$115.00
	Push Bar - 630 finish	Push Bar Ass'y: Order by Exit Device Series (8800), door opening width and US32D (630) finish	Each	\$310.00
	Push Bar - 605, 606, 629 finish	Push Bar Ass'y: Order by Exit Device Series (8800), door opening width and 605, 606, or 629 finish (US3, US4, US32)	Each	\$350.00
11	29-0481-MP	Dogging Key	Pkg. of 10	\$26.00
12	41-0902-03-IP	End Cap Ass'y (Nose) - Metal	Each	\$22.00
13	91-8800	Mounting Base Kit	Each	\$115.00
14	8736-01-XX-XXX	Rim Cylinder	Each	LIST
15	80-0180-125-01	Template, 8800 (Device)	Each	\$10.00
16	80-0180-125-02	Template, 8800 (Strike)	Each	\$10.00
NS	80-0180-41	Installation Sheet, 8800	Each	Email only
*	91-0837-01	Screw Pack	Each	\$4.00
**	91-0992-02	Frame Kit	Each	\$58.00

LIST = Refer to current pricelist  
NS = Not shown

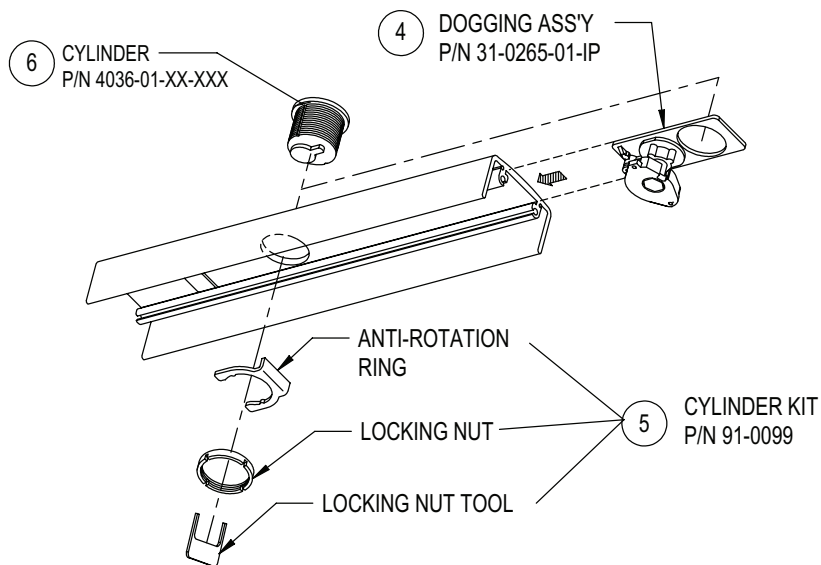
# Accessories

FOR EXIT DEVICES

## MONITORING KITS "M"



## CYLINDER DOGGING "C"



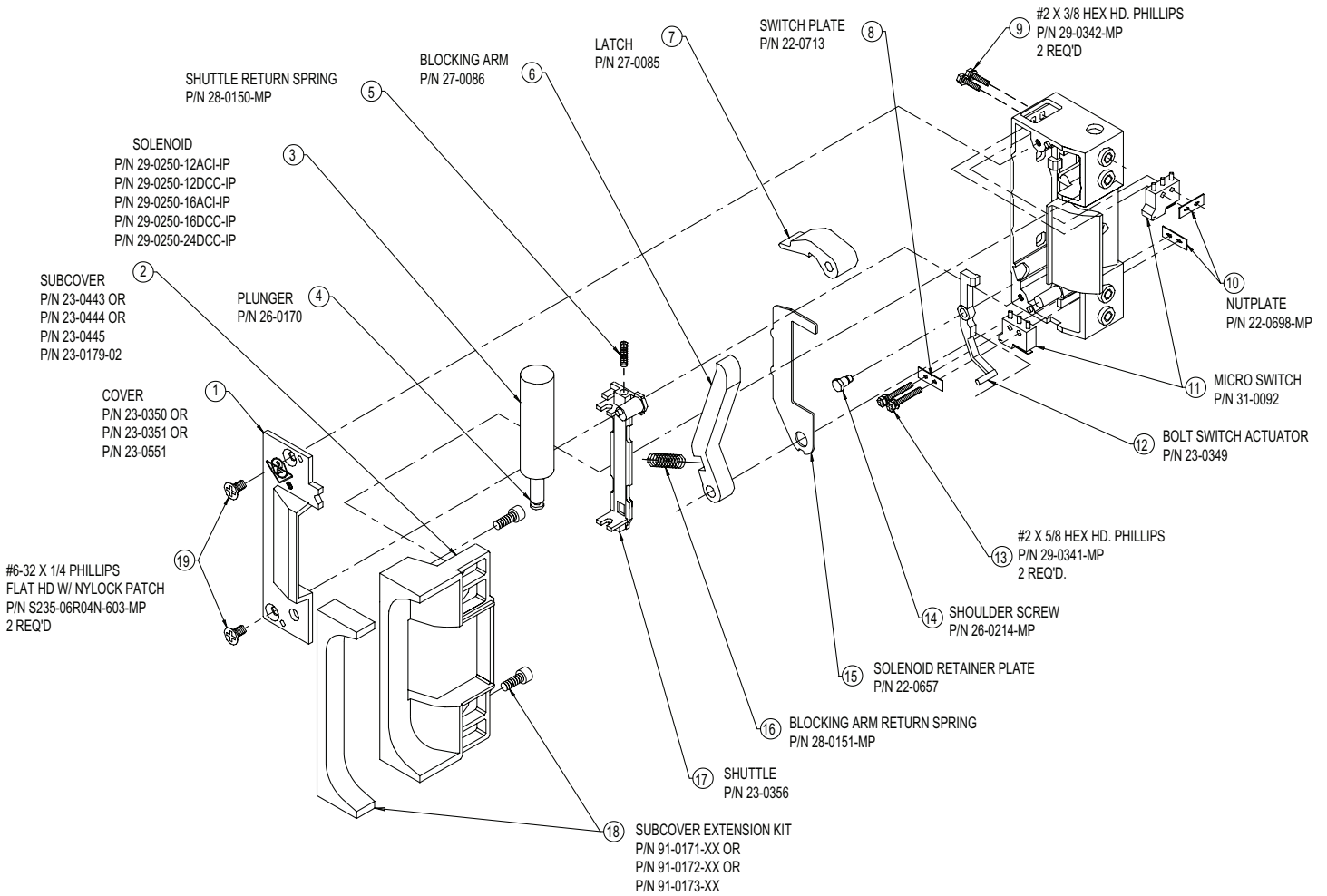
# Accessories FOR EXIT DEVICES

## Exit Device, Accessories

ITEM	PART NUMBER	DESCRIPTION	UNITS PKGD	2015 PRICE
<b>Monitoring Kits "M"</b>				
1	31-0186-01	Micro Switch with Wires (SPDT)	Each	\$58.00
2	91-0897-01	Single Signal Switch Kit, M1	Each	LIST
	91-0897-02	Double Signal Switch Kit, M2	Each	LIST
3	S282-06R06-603-MP	Self-tapping Screw	Each	\$6.00
<b>Cylinder Dogging "C"</b>				
4	31-0265-01-IP	Dogging Assembly	Each	\$16.00
5	91-0099	Cylinder Kit	Each	\$13.00
6	4036-01-XX-XXX	Mortise Cylinder	Each	LIST

*LIST = Refer to current pricelist*

# 7100 ELECTRIC STRIKE





# 7100 ELECTRIC STRIKE

## 7100 Electric Strike

ITEM	PART NUMBER	DESCRIPTION	UNITS PKGD	2015 PRICE
<b>1</b>	23-0350	Cover (7100, 7101, 7110, 7111, 7130, 7131, 7140)	Each	\$9.00
	23-0351	Cover (7160, 7170)	Each	\$9.00
	23-0551	Cover (7108, 7128)	Each	\$7.00
<b>2</b>	23-0443	Subcover (7100, 7110, 7111, 7130, 7140)	Each	\$14.00
	23-0444	Subcover (7101, 7131)	Each	\$14.00
	23-0445	Subcover (7160, 7170)	Each	\$16.00
	23-0179-02	Subcover (7108, 7128)	Each	\$20.00
<b>3</b>	29-0250-12ACI-IP	Solenoid (12 VAC Int.)	Each	\$38.00
	29-0250-12DCC-IP	Solenoid (12 VDC Cont./24 VAC Int.)	Each	\$38.00
	29-0250-16ACI-IP	Solenoid (16 VAC Int.)	Each	\$38.00
	29-0250-16DCC-IP	Solenoid (16 VDC Cont.)	Each	\$38.00
	29-0250-24DCC-IP	Solenoid (24 VDC Cont.)	Each	\$38.00
<b>4</b>	26-0170	Plunger	Each	\$5.00
<b>5</b>	28-0150-MP	Shuttle Return Spring	Pkg. of 10	\$5.00
<b>6</b>	27-0086	Blocking Arm	Each	\$8.00
<b>7</b>	27-0085	Latch	Each	\$5.00
<b>8</b>	22-0713	Switch Plate	Each	\$4.00
<b>9</b>	29-0342-MP	#2 × 3/8 Phillips Hex Head	Pkg. of 10	\$4.00
<b>10</b>	22-0698-MP	Nutplate	Pkg. of 10	\$9.00
<b>11</b>	31-0092	Microswitch	Each	\$67.00
<b>12</b>	23-0349	Bolt Switch Actuator	Each	\$5.00
<b>13</b>	29-0341-MP	#2 × 5/8 Phillips Hex Head	Pkg. of 10	\$7.00
<b>14</b>	26-0214-MP	Shoulder Screw	Pkg. of 10	\$37.00
<b>15</b>	22-0657	Solenoid Retainer Plate	Each	\$8.00
<b>16</b>	28-0151-MP	Block Arm Return Spring	Pkg. of 10	\$8.00
<b>17</b>	23-0356	Shuttle	Each	\$5.00
<b>18</b>	91-0171-XX*	Subcover Lip Extension Kit (7100, 7110, 7111, 7130, 7140)	Each	LIST
	91-0172-XX*	Subcover Lip Extension Kit (7160, 7170)	Each	LIST
	91-0173-XX*	Subcover Lip Extension Kit (7108, 7128)	Each	LIST
<b>19</b>	S235-06R04N-603-MP	#6-32 × 1/4 Phillips Flat Head (Under Cut)	Pkg. of 10	\$4.00
<b>NS</b>	91-0077-01-XXX	Mounting Kit (2-Mounting Tabs, 2-Mounting Screws, 2-Press Nuts, Adhesive Shims, 2-Wire Nuts) Specify 313, 335, or 628 finish	Each	\$12.00

LIST = Refer to current pricelist

NS = Not shown

\*Specify lip extension requirements, refer to catalog for "A" dimension. Extensions provided in 1/8" increments beginning with -01 for a 3/8" extension.

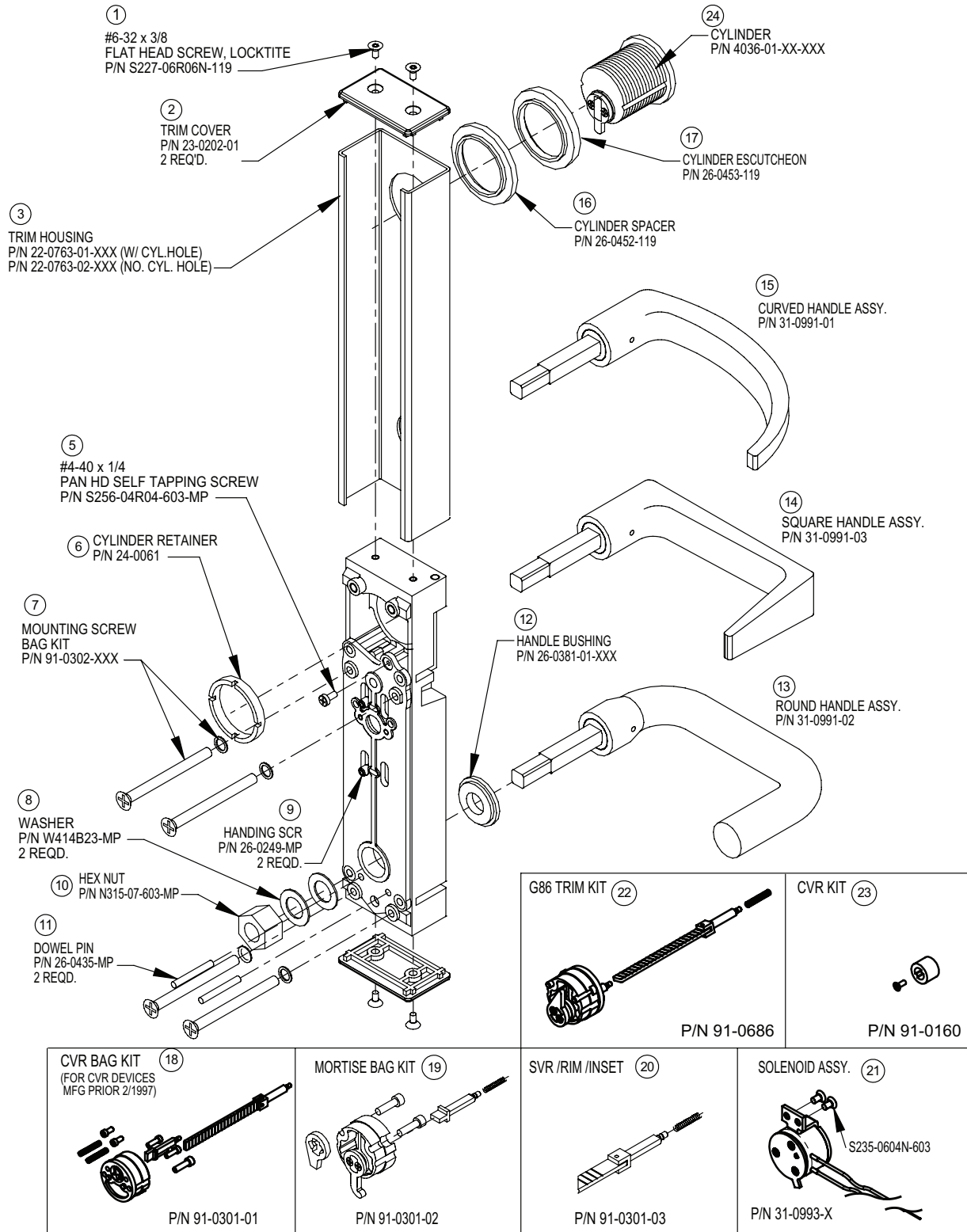
ASSA ABLOY, the global leader in door opening solutions



800.872.3267 • Fax 800.232.7329  
10027 S. 51st Street, Ste 102  
Phoenix, Arizona 85044  
www.adamsrite.com

# 3080 Series

## ENTRY TRIM



# 3080 Series

## ENTRY TRIM

### 3080 Series Entry Trim

ITEM	PART NUMBER	DESCRIPTION	UNITS PKGD	2015 PRICE
1	S227-06R06N-119-MP	#6-32 x 3/8" Flat Head Screw	Pkg. of 10	\$5.00
2	23-0202-01	Trim Cover	Each	\$10.00
3	22-0763-01-XXX	Trim Housing with Cylinder Hole, select US3, US4, or US32	Each	\$40.00
	22-0763-01-XXX	Trim Housing with Cylinder Hole, select 10B or US32D	Each	\$30.00
	22-0763-02-XXX	Trim Housing without Cylinder Hole, select US3, US4, or US32	Each	\$40.00
	22-0763-02-XXX	Trim Housing without Cylinder Hole, select 10B or US32D	Each	\$30.00
5	S256-04R04-603-MP	#4-40 x 1/4 Pan Head Self-Tapping Screw	Pkg. of 10	\$5.00
6	24-0061	Cylinder Retainer	Each	\$6.00
7	91-0302-121	Mounting Screw Kit for US3, US4, and US26 finishes	Each	\$30.00
	91-0302-603	Mounting Screw Kit for 10B and US26D finishes	Each	\$24.00
8	W414B23-MP	Washer	Pkg. of 10	\$7.00
9	26-0249-MP	Handing Screw	Pkg. of 10	\$38.00
10	N315-07-603-MP	Hex Nut with Nylon Insert	Pkg. of 10	\$5.00
11	26-0435-MP	Dowel Pin	Pkg. of 10	\$12.00
12	26-0381-01-XXX	Handle Bushing	Pkg. of 10	\$7.00
13	31-0991-02-XXX	Round Handle Ass'y, select US3, US4, or US32	Each	\$85.00
	31-0991-02-XXX	Round Handle Ass'y, select 10B or US32D	Each	\$75.00
14	31-0991-03-XXX	Square Handle Ass'y, select US3, US4, or US32	Each	\$85.00
	31-0991-03-XXX	Square Handle Ass'y, select 10B or US32D	Each	\$75.00
15	31-0991-01-XXX	Curved Handle Ass'y, select US3, US4, or US32	Each	\$85.00
	31-0991-01-XXX	Curved Handle Ass'y, select 10B or US32D	Each	\$75.00
16	26-0452-119	Cylinder Spacer	Each	\$11.00
17	26-0453-119	Cylinder Escutcheon	Each	\$11.00
18	91-0301-01	CVR Spindle Kit for devices manufactured prior to 2/97	Each	\$28.00
19	91-0301-02	Mortise Spindle Kit	Each	\$20.00
20	91-0301-03	SVR / Rim / Inset Spindle Kit	Each	\$8.00
21	31-0993-1	Solenoid Assembly 24VDC Fail-Safe	Each	\$400.00
	31-0993-2	Solenoid Assembly 12VDC Fail-Safe	Each	\$400.00
	31-0993-3	Solenoid Assembly 24VDC Fail-Secure	Each	\$400.00
	31-0993-4	Solenoid Assembly 12VDC Fail-Secure	Each	\$400.00
22	91-0686	G86 Trim Kit	Each	\$25.00
23	91-0160	CVR Tailpiece Adaptor Kit	Each	\$7.00
24	4036-01-XX-XXX	Mortise Cylinder	Each	LIST
NS	80-0180-301-01	Template, Stick-On (SVR)	Each	\$10.00
NS	80-0180-301-02	Template, Stick-On (Mortise / Mortise Inset)	Each	\$10.00
NS	80-0180-301-03	Template, Stick-On (CVR)	Each	\$10.00
NS	80-0180-301-04	Template, Stick-On (Rim)	Each	\$10.00
NS	80-0180-301-05	Template, Stick-On (Inset CVR)	Each	\$10.00
NS	80-0180-301-08	Template, Stick-On (Wood Door CVR)	Each	\$10.00
NS	80-0180-3080	Installation Instructions	Each	Email only

LIST = Refer to current pricelist

NS = Not shown

Note that solenoid assemblies can only be used in electrified 3080 Entry Trim

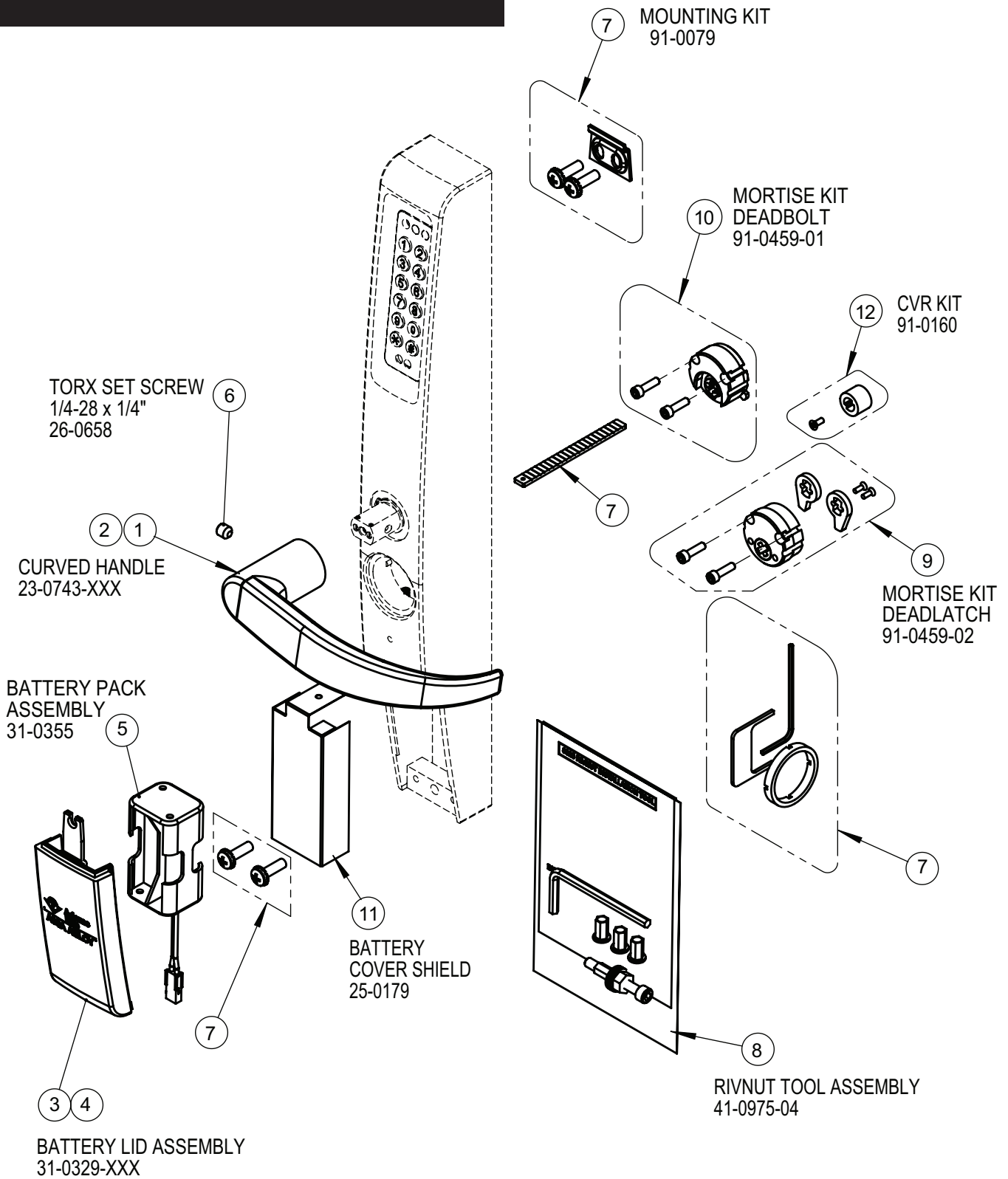
ASSA ABLOY, the global leader in door opening solutions



800.872.3267 • Fax 800.232.7329  
 10027 S. 51st Street, Ste 102  
 Phoenix, Arizona 85044  
[www.adamsrite.com](http://www.adamsrite.com)

# eForce<sup>®</sup>-150

## 3090 KEYLESS ENTRY



# eForce®-150

## 3090 KEYLESS ENTRY

### eForce®-150 3090 Keyless Entry

ITEM	PART NUMBER	DESCRIPTION	UNITS PKGD	2015 PRICE
1	23-0743-626	Curved Handle (Satin Chrome)	Each	\$35.00
2	23-0743-121PC	Curved Handle (Dark Bronze)	Each	\$35.00
3	31-0329-626	Battery Lid Assembly (Satin Chrome)	Each	\$24.00
4	31-0329-121PC	Battery Lid Assembly (Dark Bronze)	Each	\$24.00
5	31-0355	Battery Pack Assembly	Each	\$18.00
6	26-0658	Torx Set Screw 1/4-28 x 1/4"	Each	\$4.00
7	91-0079	Mounting Kit	Each	\$12.00
8	41-0975-04	Rivnut Tool Assembly	Each	\$11.00
9	91-0459-02	Mortise Kit Deadlatch	Each	\$21.00
10	91-0459-01	Mortise Kit Deadbolt	Each	\$21.00
11	25-0179	Battery Cover (Plastic Shield)	Each	\$4.00
12	91-0160	CVR Kit	Each	\$7.00

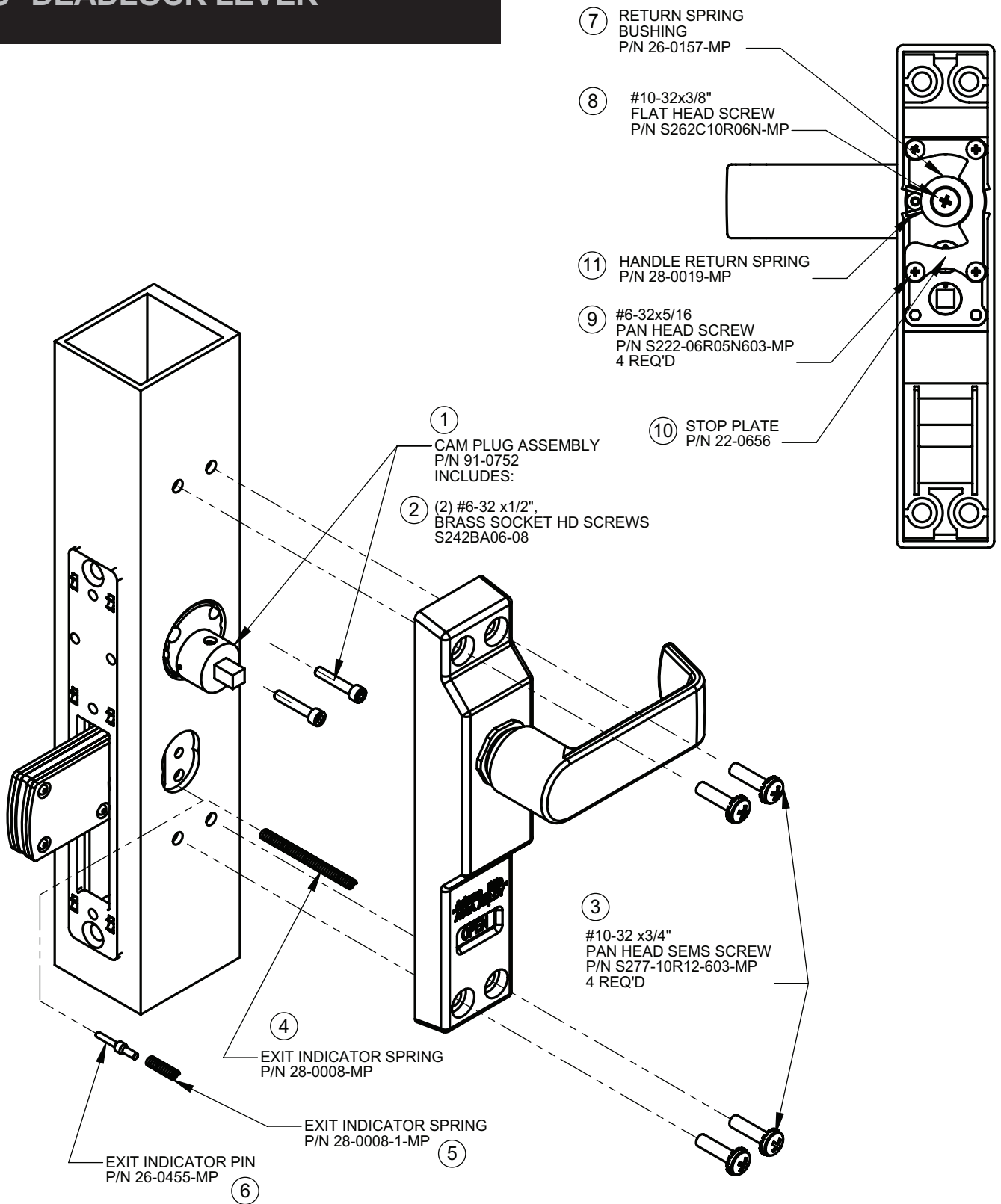
ASSA ABLOY, the global leader in door opening solutions



800.872.3267 • Fax 800.232.7329  
10027 S. 51st Street, Ste 102  
Phoenix, Arizona 85044  
[www.adamsrite.com](http://www.adamsrite.com)

# 4550

## MS® DEADLOCK LEVER



# 4550

## MS® DEADLOCK LEVER

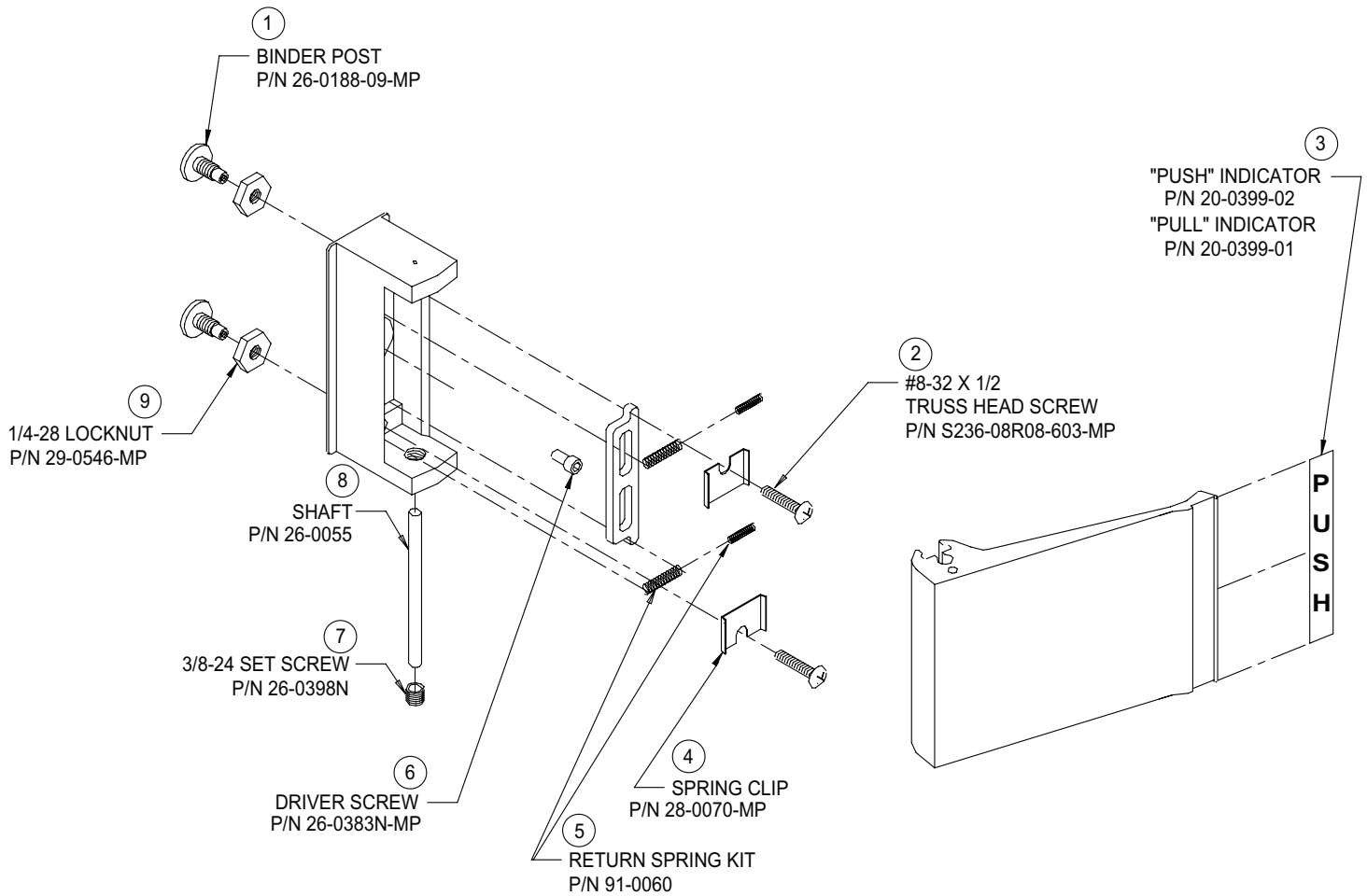
### 4550 Deadlock Lever

ITEM	PART NUMBER	DESCRIPTION	UNITS PKGD	2015 PRICE
<b>1</b>	91-0752	Cam Plug Assembly Kit Clutched MS Lever	Each	\$68.00
<b>2</b>	S242BA06-08	#6-32 × 1/2 Socket Head Cap Screw	Each	\$4.00
<b>3</b>	S277-10R12-603-MP	#10-32 × 3/4 Pan Head SEMS Screw	Pkg. of 10	\$5.00
<b>4</b>	28-0008-MP	Exit Indicator Spring	Pkg. of 10	\$12.00
<b>5</b>	28-0008-01-MP	Exit Indicator Spring (for 2 or 3 point locks)	Pkg. of 10	\$12.00
<b>6</b>	26-0455-MP	Exit Indicator Pin (for 2 or 3 point locks)	Pkg. of 10	\$68.00
<b>7</b>	26-0157-MP	Return Spring Bushing	Pkg. of 10	\$28.00
<b>8</b>	S262C10R06N-MP	#10-32 × 3/8 Flat Head Screw	Pkg. of 10	\$4.00
<b>9</b>	S222-06R05N-603-MP	#6-32 × 5/16 Pan Head Screw	Pkg. of 10	\$4.00
<b>10</b>	22-0656	Stop Plate	Each	\$4.00
<b>11</b>	28-0019-MP	Handle Return Spring	Pkg. of 10	\$30.00
<b>NS</b>	80-0180-455	Stick on Template	Each	\$10.00
<b>NS</b>	80-0180-460	Installation Instructions	Each	Email only

NS = Not shown

# 4590

## DEADLATCH PADDLE





# 4590

## DEADLATCH PADDLE

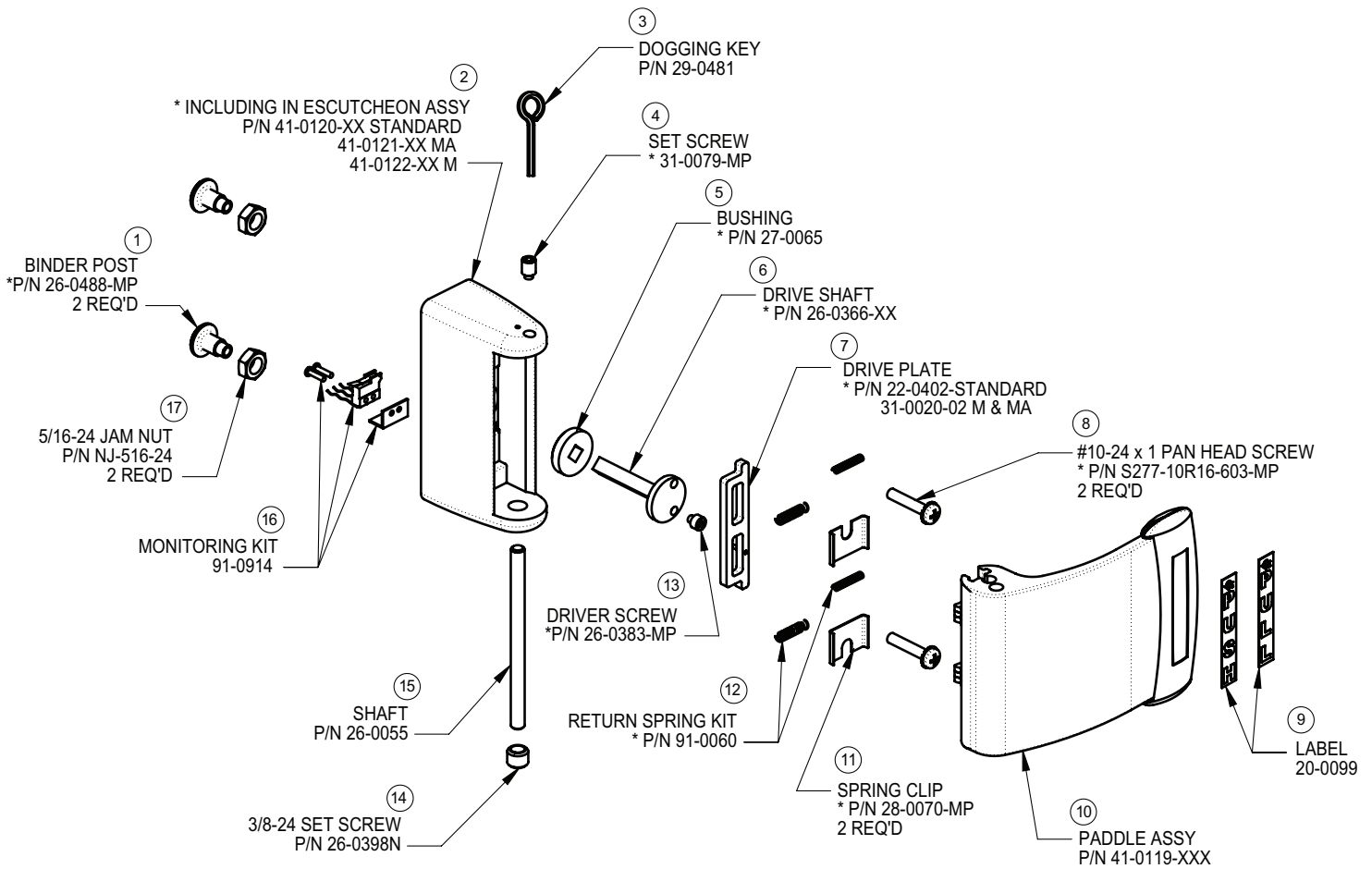
### 4590 Deadlatch Paddle

ITEM	PART NUMBER	DESCRIPTION	UNITS PKGD	2015 PRICE
1	26-0188-09-MP	Binder Post	Pkg. of 10	\$15.00
2	S236-08R08-603-MP	#8-32 × 1/2 Truss Head Screw with Lockwasher	Pkg. of 10	\$4.00
3	20-0399-01	"PULL" Indicator	Each	\$4.00
	20-0399-02	"PUSH" Indicator	Each	\$4.00
4	28-0070-MP	Spring Clip	Pkg. of 10	\$4.00
5	91-0060	Return Spring Kit (includes all four springs)	Each	\$6.00
6	26-0383-MP	Driver Screw	Pkg. of 10	\$60.00
7	26-0398N	3/8-24 Set Screw	Each	\$4.00
8	26-0055	Shaft	Each	\$4.00
9	NJ-14-28-MP	1/4-28 Locknut	Pkg. of 10	\$4.00
NS	80-0180-200	Instruction Sheet, 4590	Each	Email only
NS	80-0180-201	Instruction Sheet, 4590M	Each	Email only
NS	80-0180-202	Instruction Sheet, 4590MA	Each	Email only

NS = Not shown

# 4591

## DEADLATCH PADDLE



# 4591

## DEADLATCH PADDLE

### 4591 Deadlatch Paddle

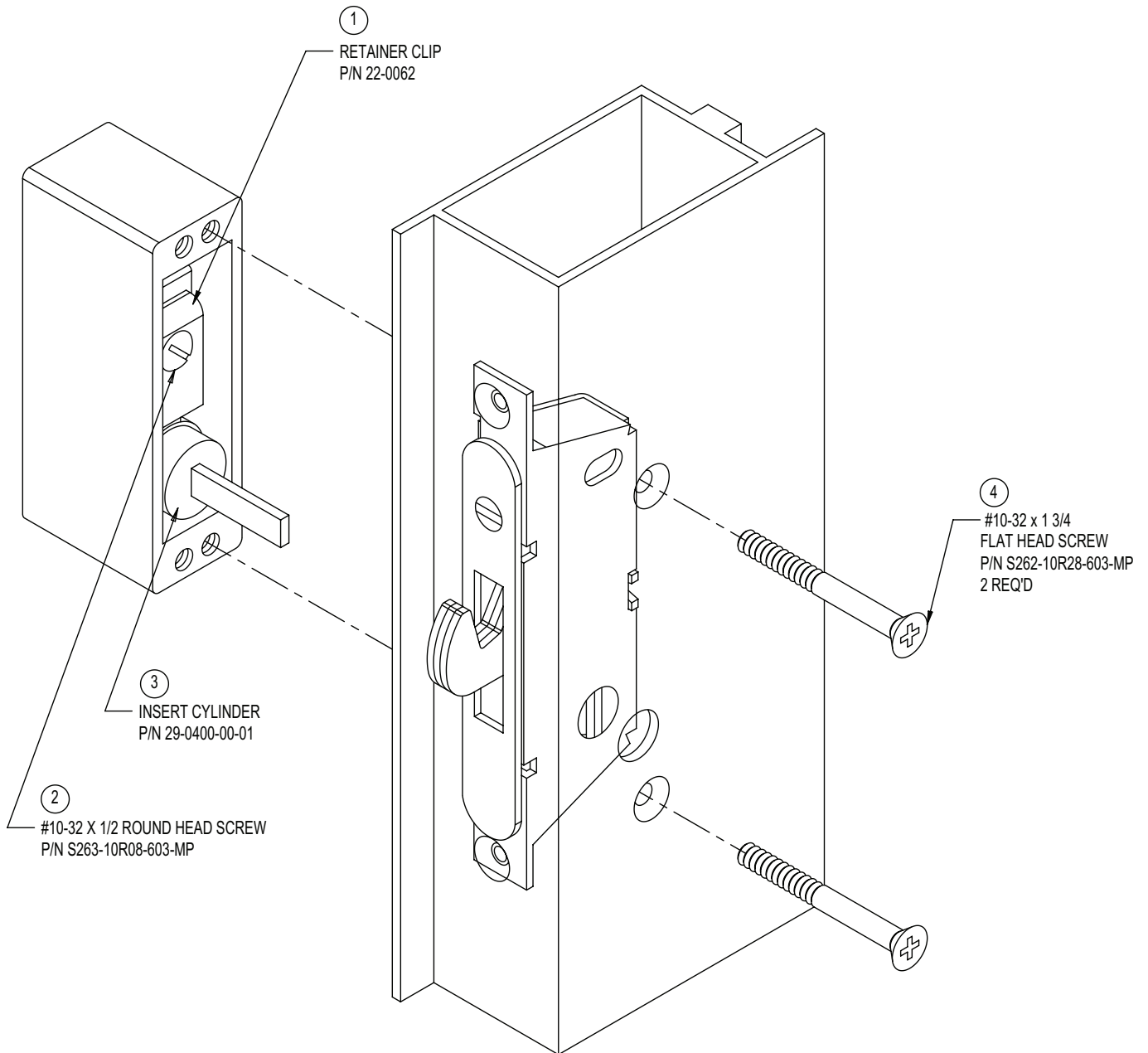
ITEM	PART NUMBER	DESCRIPTION	UNITS PKGD	2015 PRICE
<b>1</b>	26-0488-MP	Binder Post	Pkg. of 10	\$24.00
<b>2</b>	41-0120-XX*	Escutcheon Ass'y (Standard - Complete)	Each	\$100.00
	41-0121-XX*	Escutcheon Ass'y (MA - Complete)	Each	\$185.00
	41-0122-XX*	Escutcheon Ass'y (M - Complete)	Each	\$160.00
<b>3</b>	29-0481-MP	Dogging Key	Pkg. of 10	\$26.00
<b>4</b>	31-0079-MP	Set Screw / Dogging Screw	Pkg. of 10	\$23.00
<b>5</b>	27-0065	Bushing	Each	\$4.00
<b>6</b>	26-0366-01	Drive Shaft (1-3/4" Doors)	Each	\$10.00
	26-0366-XX	Drive Shaft (Doors Over 1-3/4"), specify door thickness	Each	\$20.00
<b>7</b>	22-0402	Drive Plate	Each	\$12.00
	31-0020-02	Drive Plate for M or MA Options (with Roll Pin)	Each	\$18.00
<b>8</b>	S277-10R16-603-MP	#10-24 x 1 Truss Head Screw with Lockwasher	Pkg. of 10	\$5.00
<b>9</b>	20-0099	"PUSH & PULL" Indicator Label	Each	\$4.00
<b>10</b>	41-0119-XXX	Paddle Ass'y, select 313, 335, or 628 finish	Each	\$50.00
<b>11</b>	28-0070-MP	Spring Clip	Pkg. of 10	\$4.00
<b>12</b>	91-0060	Return Spring Kit (includes all four springs)	Each	\$6.00
<b>13</b>	26-0383-MP	Driver Screw	Pkg. of 10	\$60.00
<b>14</b>	26-0398N	3/8-24 Set Screw	Each	\$4.00
<b>15</b>	26-0055	Shaft	Each	\$4.00
<b>16</b>	91-0914	Monitoring Kit	Each	LIST
<b>17</b>	NJ-516-24	5/16-24 Jam Nut	Pkg. of 10	\$4.00
<b>NS</b>	80-0180-4591	Instruction Sheet, 4591	Each	Email only
	80-0180-4591M	Instruction Sheet, 4591M	Each	Email only
	80-0180-4591MA	Instruction Sheet, 4591MA	Each	Email only

LIST = Refer to current pricelist

NS = Not shown

\*Specify "PUSH" to left, "PUSH" to right, "PULL" to left, "PULL" to right and door thickness

# 4024/4025/4026 CYLINDER PULLS



# 4024/4025/4026 CYLINDER PULLS

## 4024/4025/4026 Cylinder Pulls

ITEM	PART NUMBER	DESCRIPTION	UNITS PKGD	2015 PRICE
1	22-0062	Retainer Clip	Each	\$4.00
2	S263-10R08-603-MP	#10-32 × 1/2 Round Head Screw	Pkg. of 10	\$4.00
3	29-0400-00-01	Insert Cylinder	Each	\$25.00
4	S262-10R28-603-MP	#10-32 × 1-3/4 Flat Head Screw (4025/4026) Sat. Alum.	Pkg. of 10	\$5.00
	S235-06R06-603-MP	#6-32 × 3/8 Flat Head Undercut Screw (4024)	Pkg. of 10	\$4.00
NS	26-0252-50	Mounting Screws - 4025 Cyl. × Cyl. (2-req'd.)	Each	\$5.00

NS = Not shown

# Adams Rite

## LIMITED WARRANTY

Products sold under the Adams Rite brand in the United States of America are warranted free from defects in workmanship and materials under normal use and service.

This warranty does not cover defects or damage arising from improper installation, lack of or improper maintenance, improper storage, shipping and handling, corrosion, erosion, ordinary wear and tear, misuse, abuse, accident, unauthorized service, or use with unauthorized non-Adams Rite products or parts.

This warranty is void if any modification is made to the product, regardless of whether the modification causes or contributes to the alleged defect. All modifications are made at the risk of the party making the modification.

Should any defect of manufacture (in material or workmanship) occur in its products, Adams Rite, upon prompt notification and proof to its satisfaction that the product was defective in manufacture for the use intended by Adams Rite, will at its option, exchange the product, repair the product, or refund the price charged by Adams Rite, FOB factory within the stated time frame listed below.

- All mechanical products for five (5) years from date of manufacture
- Ultraline 7400 Electric Strikes for five (5) years from date of manufacture
- All electrical products for three (3) years from date of manufacture, with the exception of the exit devices with the SE option
- Exit devices with the SE option for one (1) year from date of manufacture. Adams Rite recommends that for optimal performance all exit devices with the SE option are installed and powered using PS-SE power supplies. Installing SE exit devices with PS-SE power supplies extends the warranty to five (5) years from date of manufacture.

### General RMA Procedure

Product repair or replacement, or associated charges, will not be accepted under this warranty unless prior authorization from Adams Rite has been given. Upon receipt of products returned for repair or replacement, Adams Rite will determine whether products qualify for repair or replacement under this warranty. Adams Rite has no liability to pay any costs of repair performed by anyone other than qualified personnel authorized by Adams Rite prior to the work being done.

Written notice of a product or component part believed to be defective as covered by this warranty should be sent to Adams Rite, 10027 S. 51st Street, Suite 102, Phoenix, Arizona 85044 or CustomerCare@AssaAblayEMS.com and should include your name and address, an identification of the product or component part and a brief description of the defect. Notice of a product or component part believed to be defective as covered by this warranty may also be accepted over the telephone by Adams Rite, 800.872.3267.

Upon receipt of such notice, if the customer has an account with Adams Rite or a valid credit card, an advance replacement product may be ordered whereby Adams Rite will ship a replacement product to the customer free of charge. If Adams Rite does not receive the

original defective product from the customer within 60 days, Adams Rite will charge the customer's account or credit card for the price of the advanced replacement product plus freight costs. Upon inspection of the returned product by Adams Rite, a decision will be made whether or not to charge the customer for the advanced replacement Adams Rite product. This decision will be made solely by Adams Rite in accordance with the provisions of these Terms. Obsolete products will not be accepted for return. Return Material Authorizations (RMAs) will be closed if the goods are not received within 60 days of issuance.

If Adams Rite receives original defective product from the customer within 60 days of RMA issuance, and if the customer is requesting credit for the defective material, the customer must reference the valid Adams Rite Purchase Order number upon which the product was originally ordered. If the original Purchase Order number is not available, at Adams Rite's option a credit may be issued at the customer's current cost. This decision will be made solely by Adams Rite in accordance with the provisions of these Terms.

Transportation charges and insurance on all returned materials must be prepaid by the purchaser when merchandise is ordered in error. On goods returned for customer convenience, when the purchaser returns materials in compliance with these Terms which are accepted by Adams Rite, the purchaser may be issued a credit for 65% of the purchase price, with 35% charged by Adams Rite for handling and reprocessing. All refunds will be in the form of a credit.

### Cancellation

As an industry leader, Adams Rite is committed to maintaining the highest standard of quality and ensuring strict compliance to industry codes. Adams Rite's proud history of customer service and manufacturing agility allow quick response times to customer's changing needs, which may include special orders or product modifications. Please be advised that all product modifications require special authorization to ensure the order fully meets customer's expectations. Customers are asked to allow for an extended lead time on all special orders. Please note that at Adams Rite's option, product modifications and other special orders cannot be changed, cancelled, or returned once a ship date has been provided on an order acknowledgement by Adams Rite.

Adams Rite prides itself on introducing new, industry-relevant, feature-rich products. Since new solutions will surpass the capabilities of older product lines, historical products may be subsequently discontinued. Every effort will be made to announce new product introductions as well as product discontinuations in a manner that allows customers advanced notice of these events. Once a product line is discontinued orders will be fulfilled in order of receipt, although Adams Rite cannot guarantee all orders can be filled. Repair services and spare parts for discontinued product lines will be available for some reasonable time period. Adams Rite reserves the right to replace discontinued product with an equivalent product as deemed by Adams Rite.

THIS WARRANTY IS IN LIEU OF ALL OTHER EXPRESS WARRANTIES. TO THE EXTENT PERMITTED BY LAW, ALL IMPLIED WARRANTIES ARE LIMITED TO THE DURATION OF THIS WARRANTY. ADAMS RITE IS A DIVISION OF HANCHETT ENTRY SYSTEMS, INC. HANCHETT ENTRY SYSTEMS, INC. SHALL NOT BE LIABLE FOR ANY INCIDENTAL OR CONSEQUENTIAL DAMAGES. SOME STATES DO NOT ALLOW LIMITATIONS ON HOW LONG AN IMPLIED WARRANTY LASTS OR THE EXCLUSION OR LIMITATION OF INCIDENTAL OR CONSEQUENTIAL DAMAGES, SO THE ABOVE LIMITATION OR EXCLUSIONS MAY NOT APPLY TO YOU. THIS WARRANTY GIVES YOU SPECIFIC LEGAL RIGHTS, AND YOU MAY ALSO HAVE OTHER RIGHTS WHICH VARY FROM STATE TO STATE.

# Architectural FINISHES

Not all finishes available on all products. For more detailed information on applicable finishes, please refer to the How to Order for each product.

## Finish Chart

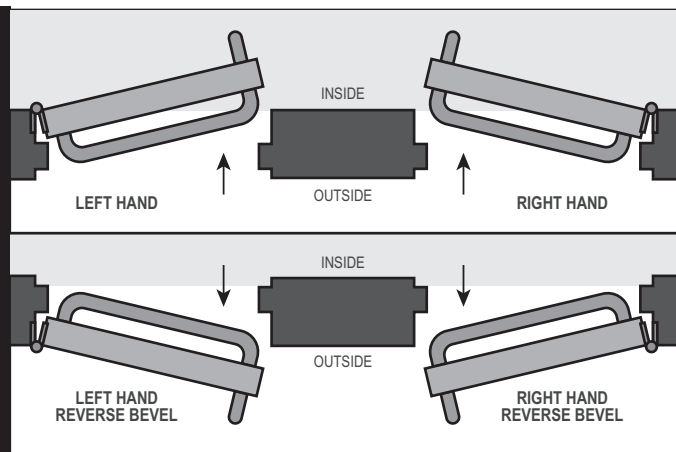
BHMA FINISH CODE	ADAMS RITE FINISH CODE	MATERIAL
603	603	Steel, Zinc Plated
605	US3	Bright Brass, Clear Coated
606	US4	Satin Brass, Clear Coated
626	626	Brass or Bronze, Satin Chromium Plated
628	628	Anodized Satin Aluminum
629	US32	Bright Stainless Steel
630	US32D	Satin Stainless Steel
652	652	Steel, Satin Chromium Plated
682	682	Zinc, Satin Chromium Plated
689	130	Any Material, Aluminum Painted
690	121	Any Material, Dark Bronze Painted
693	119	Any Material, Black Painted
	313	Anodized Dark Bronze Aluminum
	335	Anodized Black Aluminum
	CHP	Anodized Light Bronze Aluminum
	10B	Any Material, Dark Bronze Powder Coated
672	US26	Bright Chromium Plated Aluminum
702	US26D	Satin Chromium Aluminum

## Handing of Doors

The handing of a door is determined from the outside of the opening.

### STANDING OUTSIDE THE DOOR:

- If the hinges are on the left, it is a left hand door.
- If the hinges are on the right, it is a right hand door.
- If the door opens away from you, it is a regular bevel door.
- If the door opens toward you, it is a reverse bevel door.



ASSA ABLOY is the global leader in door opening solutions, dedicated to satisfying end-user needs for security, safety and convenience

© 2015 Hanchett Entry Systems, Inc., an ASSA ABLOY Group company  
ARM-023-04/15



**ASSA ABLOY**

**P 800.872.3267 • F 800.232.7329**

10027 S. 51st Street, Ste 102  
Phoenix, Arizona 85044

**[adamsrite.com](http://adamsrite.com)**