

# DCP500 SERIES

## 3/4" Padlockable Cam Lock with Finger Pull

### SPECIFICATIONS

**Function:** Cam lock for use with padlock as locking device. Functions on doors or drawers. Ideal for locker applications.

**Finger Pull:** Includes integrated finger pull

**Through-hole:** 0.4"

**Padlocks:** Not included

**Max. material thickness:** 1-1/8"

**Barrel diameter:** 3/4"

**Finish:** US26, US26D

**Packaged:** Packed 10 per box

### INCLUDED ACCESSORIES

DCP-LC straight 1-1/4" cam

DCNP-SPW pronged wood washer

### OPTIONAL ACCESSORIES

**Anti-rotation plate:** DCP-500-ARP

**Padlock bumper plate:** DCP-SP1 (RH) or DCP-SP2 (LH). Available in US32 polished stainless steel or US26D satin chrome.

**Optional cams:** See chart below

### PADLOCKS

DCP500 works with most other manufacturer's padlocks with shackle diameter of 3/8" (10 mm) or less.

See Olympus Lock's BP Series (Mountain brand) brass padlocks and PN50 N Series National keyway padlocks.

### DCP500

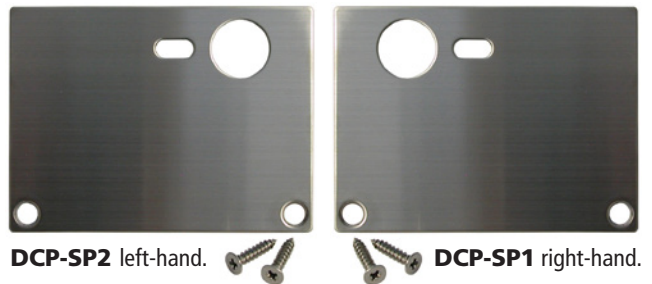
**Use:** Ideal for locker applications

**Cams:** Alternate cams available separately.

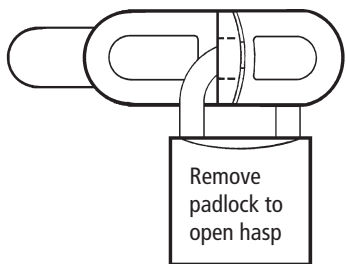


### DCP-SP1 (RH) / DCP-SP2 (LH) BUMPER PLATES

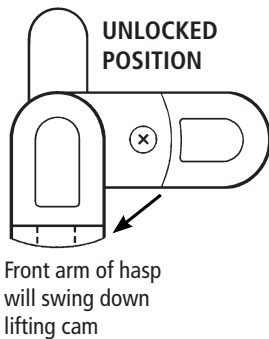
Available in US32 (polished stainless steel) or US26D (satin chrome). For use on right-hand (DCP-SP1) or left-hand (DCP-SP2) cabinet doors. Bumper plates sold separately.



LOCKED POSITION



UNLOCKED POSITION



**WARNING:** This product can expose you to chemicals including chromium, which is known to the State of California to cause cancer and birth defects or other reproductive harm. For more information go to [www.P65Warnings.ca.gov](http://www.P65Warnings.ca.gov).



**OLYMPUS LOCK**  
INC

# DCP500 SERIES

## 3/4" Padlockable Cam Lock with Finger Pull

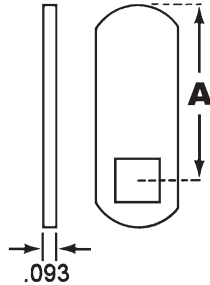
**OPTIONAL ACCESSORIES** - See our website for a complete list of optional components.

### Optional Cams

**Note:** Offset cams are reversible and can be used in either the inbent or outbent position.

#### STRAIGHT CAMS

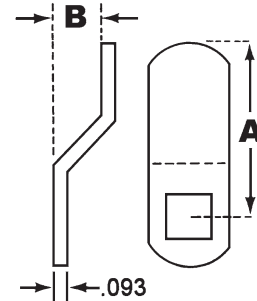
Part No.	Dim. A
DCP-SC	7/8"
DCP-LC (std)*	1-1/4"
DCP-LC-112	1-1/2"
DCP-LC-134	1-3/4"
DCP-LC-225	2-1/4"
DCP-LC-250	2-1/2"



**DCP-LC (std)** is included in standard package.  
All other cams are available separately.

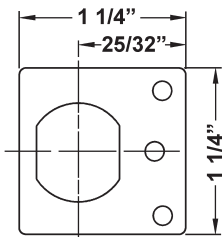
#### OFFSET CAMS

Part No.	Dim. A	Dim. B
DCP-1-14	1"	1/4"
DCP-LBC	1-1/4"	1/4"
DCP-114-18	1-1/4"	1/8"
DCP-118-18	1-1/8"	1/8"
DCP-114-38	1-1/4"	3/8"
DCP-LBC-138	1-3/8"	3/8"
DCP-LBC-178	1-7/8"	1/2"
DCP-112-14	1-1/2"	1/4"

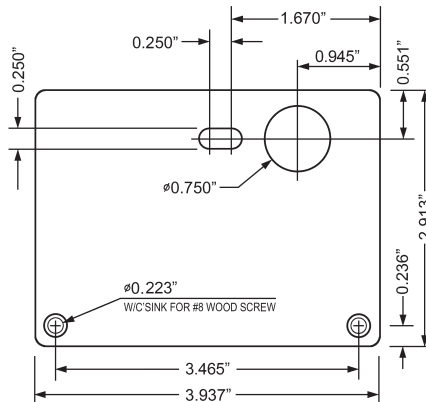


### Other Accessories

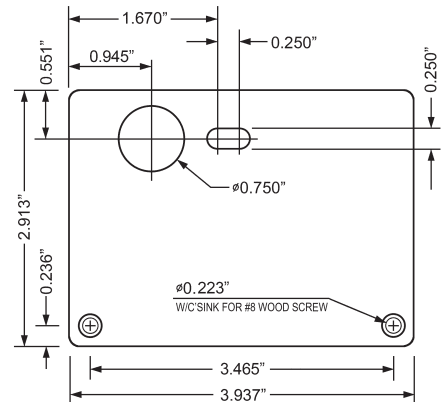
- DCNP-500-ARP provides a more secure mounting in particle board
- DCP-SP1 & DCP-SP2 protects face of cabinet from padlock and keys. Available in US32 (polished stainless) or US26D (satin chrome)



**DCNP-500-ARP**

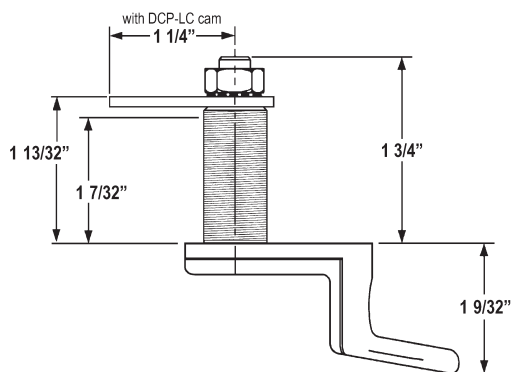


**DCP-SP2** - for left-hand cabinet doors

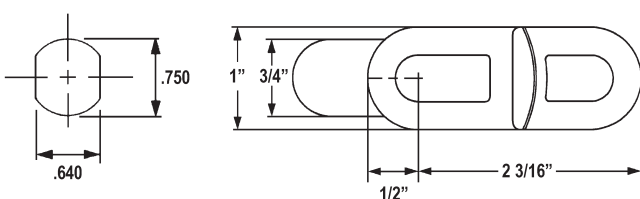


**DCP-SP1** - for right-hand cabinet doors

### DIMENSIONS



APPLICATION HOLE SIZE



### PADLOCKS

#### PADLOCK SPECIFICATIONS

The DCP works with most industry standard padlocks with a shackle diameter of 3/8" (10 mm) or less.

#### OLYMPUS PADLOCKS

**Mountain Brand:** Blister packed brass padlocks  
**PN50 Series:** N Series National keyway brass padlocks  
**IC Core:** Brass padlocks for Corbin/Ruswin interchangeable cores (sold less core)



The DCP accepts padlocks with a shackle diameter of 3/8" (10 mm) or less

For more information on our complete line of padlocks visit [www.olympus-lock.com](http://www.olympus-lock.com)