

Notes:

1. Do not scale drawing.
2. Total projection 2-5/8" (67mm). (Includes electromagnet and armature assembly.)
3. Non-tri voltage magnets have two non-polarized wires to be connected. Tri voltage magnets are connected using a terminal strip on back of magnet. One wire in common and one wire in the appropriate voltage terminal (non-polarized).
4. See step 1 of instructions for Switch Box location. Anchor Switch Box to withstand a

5. minimum 50 lb. pull. Switch Box shown installed in a vertical position.
5. Door closing mechanism should have a 3 lb. closing force at the degree of door opening where door armature and electromagnet engage.
6. Door hardware must not project more than 2-1/4" (57mm) on pull side of door.
7. Mounting of Switch Box should be reinforced to withstand shock of door opening. Failure to do so will cause Box anchors to work loose.
8. All dimensions given in inches (mm).

FM997 Door Release

RIXSON®

ASSA ABLOY

www.rixson.com

TEMPLATE NUMBER

DATE

DR100260A

07-13

1. Use table to locate Switch Box.

2. Determine door width (Dim "B"). Measure pivot centerline to wall (Dim. "A"). Find dimension "C" in table.

Example: Pivot centerline to wall ("A") = 10" (254mm)
 Door Width ("B") = 36" (914mm)
 Switch Box Centerline ("C") = 33" (838mm)

3. If "A" or "B" falls between the numbers listed in table, allow for difference.

Example: Pivot centerline to wall ("A") = 7" (178mm)
 Door Width ("B") = 36" (914mm)
 Switch Box Centerline ("C") = 33-5/8" (854mm)

4. If dimensions "A" and "B" intersect in shaded area of table DO NOT INSTALL SWITCH BOX. The degree of door opening will

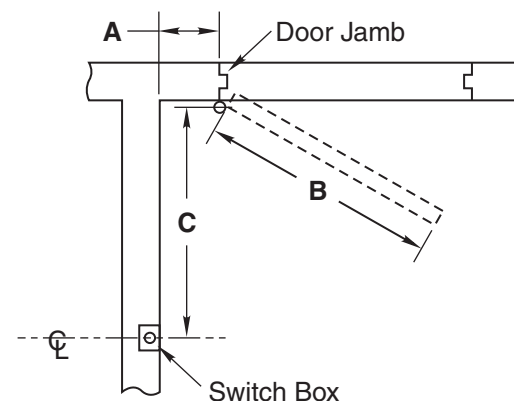
not permit proper alignment between armature and wall magnet.

5. Height to be determined by others. Suggested height is 2' to 4' (610mm to 1219mm) from floor and/or not over 6' (1829mm).

6. Check degree of door opening in table and coordinate with door closers and other door hardware.

"A" – Pivot Centerline to Wall
 "B" – Door Width
 "C" – Pivot Centerline to Switch Box Centerline

Location of Switch Box



Dim. "A"	Door Width "B"																					
	28" (711)		30" (762)		32" (813)		34" (864)		36" (914)		38" (965)		40" (1016)		42" (1067)		44" (1118)		46" (1168)		48" (1219)	
	"C"	Deg.	"C"	Deg.	"C"	Deg.	"C"	Deg.	"C"	Deg.	"C"	Deg.	"C"	Deg.	"C"	Deg.	"C"	Deg.	"C"	Deg.	"C"	Deg.
2" (51)	26" (660)	92°	28" (711)	92°	29-7/8 (759)	92°	32" (813)	93°	34-1/8 (867)	93°	36" (914)	92°	37-7/8 (962)	92°	40" (1016)	93°	42" (1067)	93°	43-7/8 (1114)	92°	45-5/8 (1159)	92°
4" (102)	26" (660)	97°	28" (711)	96°	29-7/8 (759)	96°	32" (813)	95°	34-1/8 (867)	95°	36" (914)	95°	37-7/8 (962)	95°	40" (1016)	95°	42" (1067)	95°	43-7/8 (1114)	94°	45-5/8 (1159)	94°
6" (152)	25-5/8 (651)	102°	27-5/8 (702)	101°	29-5/8 (752)	101°	31-3/4 (806)	99°	33-3/4 (857)	99°	35-3/4 (908)	97°	37-3/4 (959)	97°	39-7/8 (1013)	97°	41-7/8 (1064)	97°	43-3/4 (1111)	97°	45-1/2 (1156)	97°
8" (203)	25-1/8 (638)	106°	27-1/4 (692)	106°	29-1/4 (743)	104°	31-3/8 (797)	103°	33-1/2 (851)	102°	35-1/2 (902)	101°	37-3/8 (949)	101°	39-1/2 (1003)	101°	41-1/2 (1054)	101°	43-3/8 (1102)	100°	45-1/4 (1149)	99°
10" (254)							31" (787)	105°	33" (838)	106°	35" (889)	105°	37" (940)	104°	39-1/8 (994)	104°	41-1/8 (1045)	104°	43-1/8 (1095)	103°	45" (1143)	102°
12" (305)																			42-5/8 (1083)	105°	44-1/2 (1130)	104°

Dimensions given in inches (mm).

**FM997 Door Release
 Location Sheet**

RIXSON®
ASSA ABLOY

www.rixson.com

TEMPLATE NUMBER

DATE

DR100260B

07-13