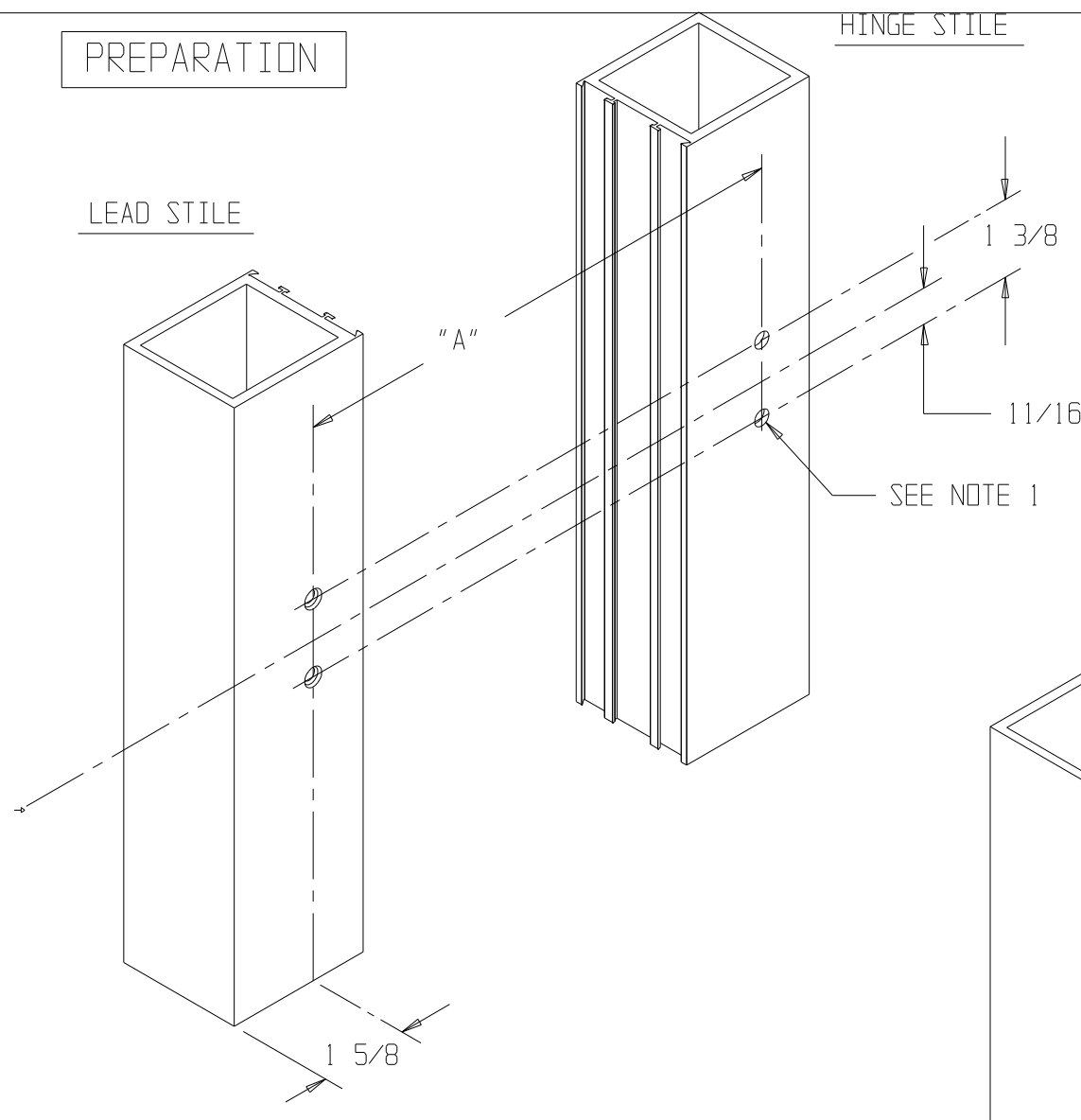


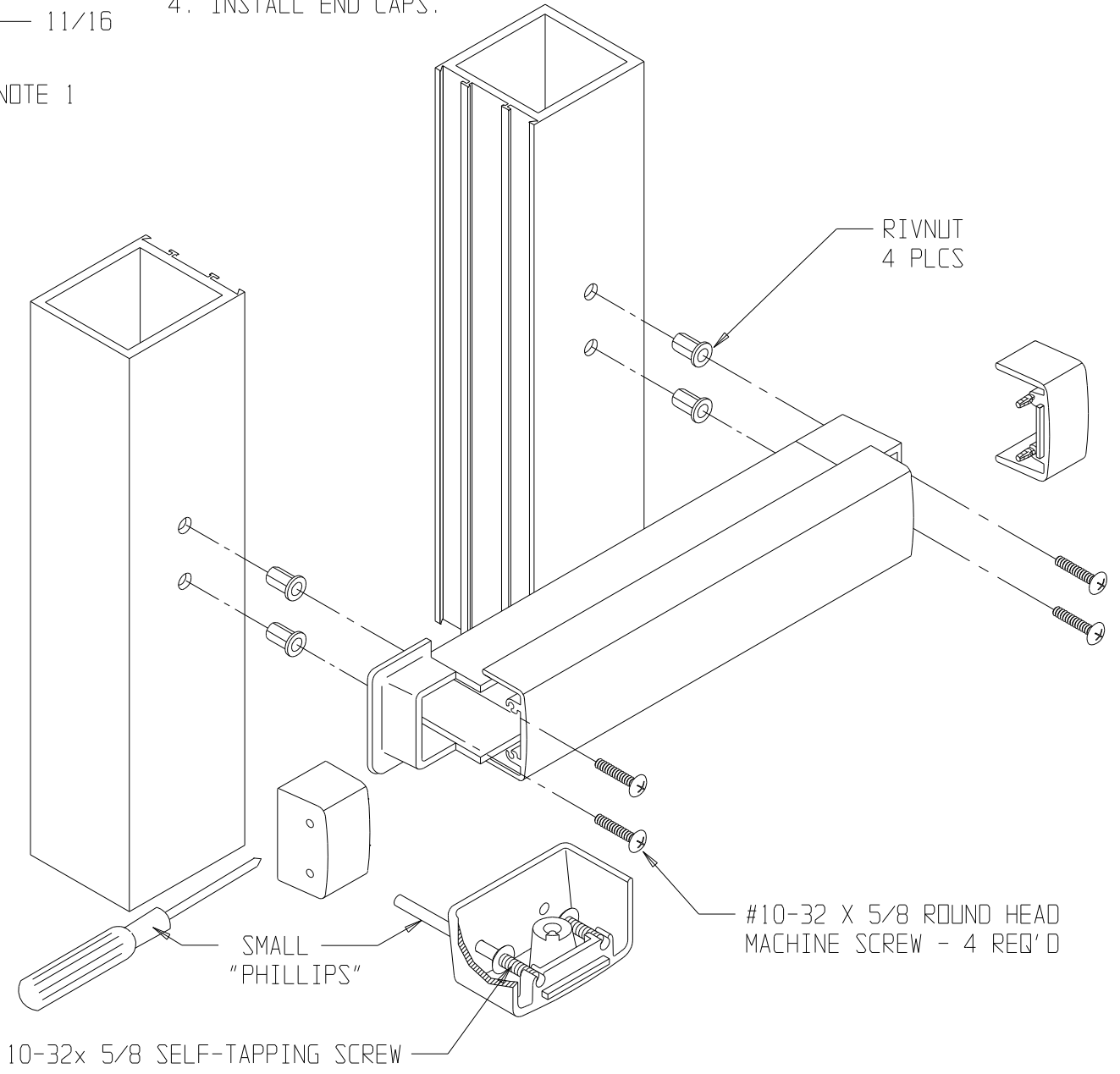
PREPARATION



INSTALLATION

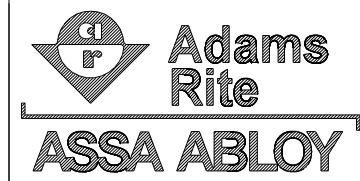
DUMMY PUSHBAR MOUNTING INSTRUCTIONS:

1. DETERMINE DESIRED PUSHBAR CENTERLINE HEIGHT.
2. USING THE PUSHBAR AS A TEMPLATE MARK & DRILL THE FOUR MOUNTING HOLES AS SHOWN & INSTALL RIVNUTS ACCORDING TO INSTRUCTIONS WITH RIVNUT TOOL.
3. POSITION BAR OVER MOUNTING HOLES AND INSTALL THE FOUR #10 ROUND HEAD SCREWS.
4. INSTALL END CAPS.



DOOR WIDTH	30" (762mm)	36" (914mm)	42" (1067mm)	48" (1219mm)
DIM "A"	26 27/32" (682mm)	32 27/32" (832mm)	38 27/32" (987mm)	44 27/32" (1139mm)

NOTE 1. DRILL ϕ .246" (6.25mm) FOR RIVNUTS (4 PLCS)
 NOTE: THESE DIMENSIONS AND TEMPLATES ASSUMES A DOOR THICKNESS OF 1 3/4". FOR DOORS OF OTHER THICKNESS, CONSULT FACTORY.



www.adamsrite.com
 Phone: 800-626-7590
 800-872-3267
 Fax: 866-582-4641
 800-232-7329

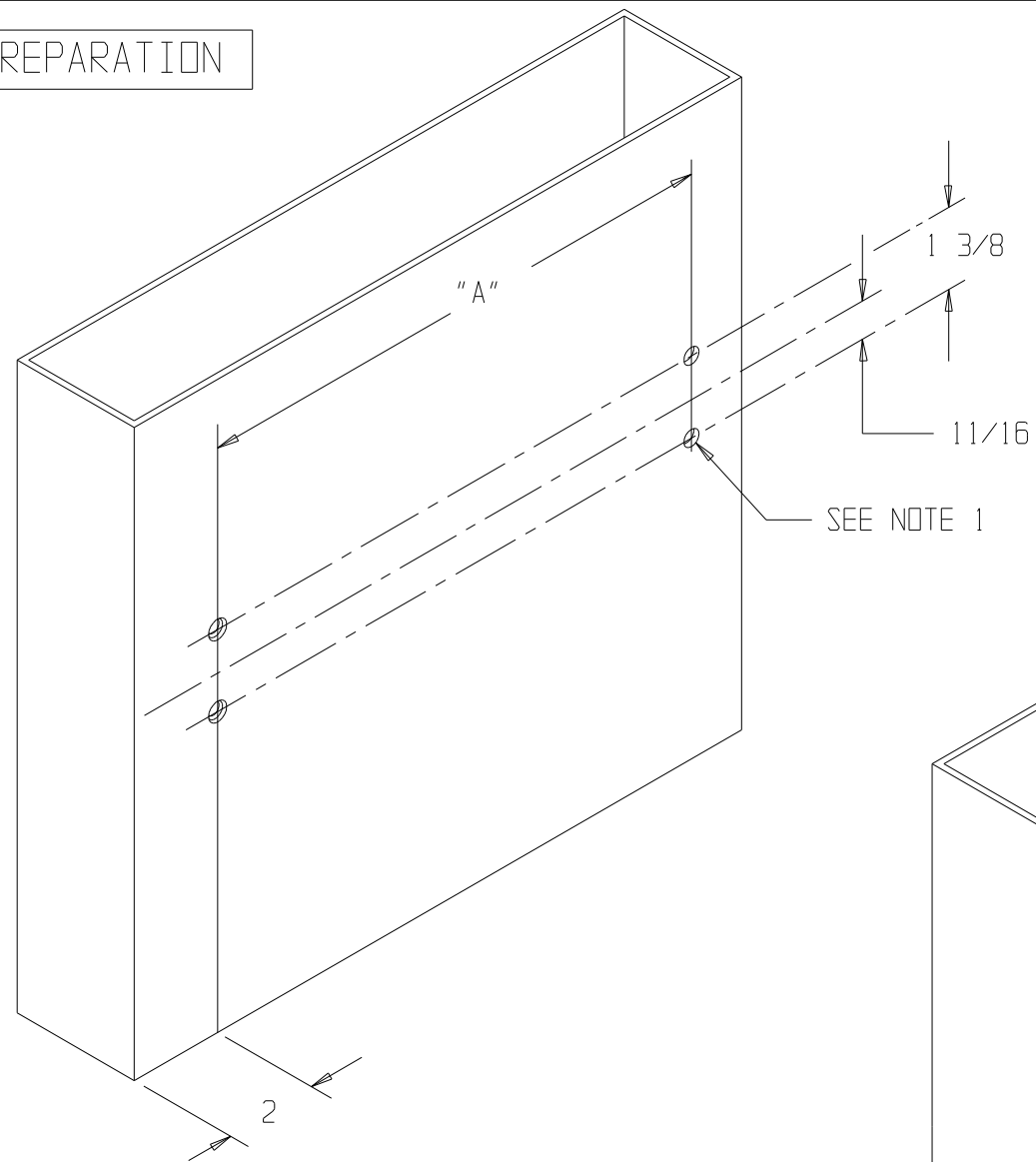
80-0180-50

Rev. C Ecn 11955D

8099 DUMMY PUSHBAR FOR ALUMINUM / GLASS DOOR

INSTALLATION INSTRUCTIONS

PREPARATION



DOOR WIDTH	30" (762mm)	36" (914mm)	42" (1067mm)	48" (1219mm)
DIM "A"	25 9/16" (649mm)	31 9/16" (802mm)	37 9/16" (954mm)	43 9/16" (1107mm)

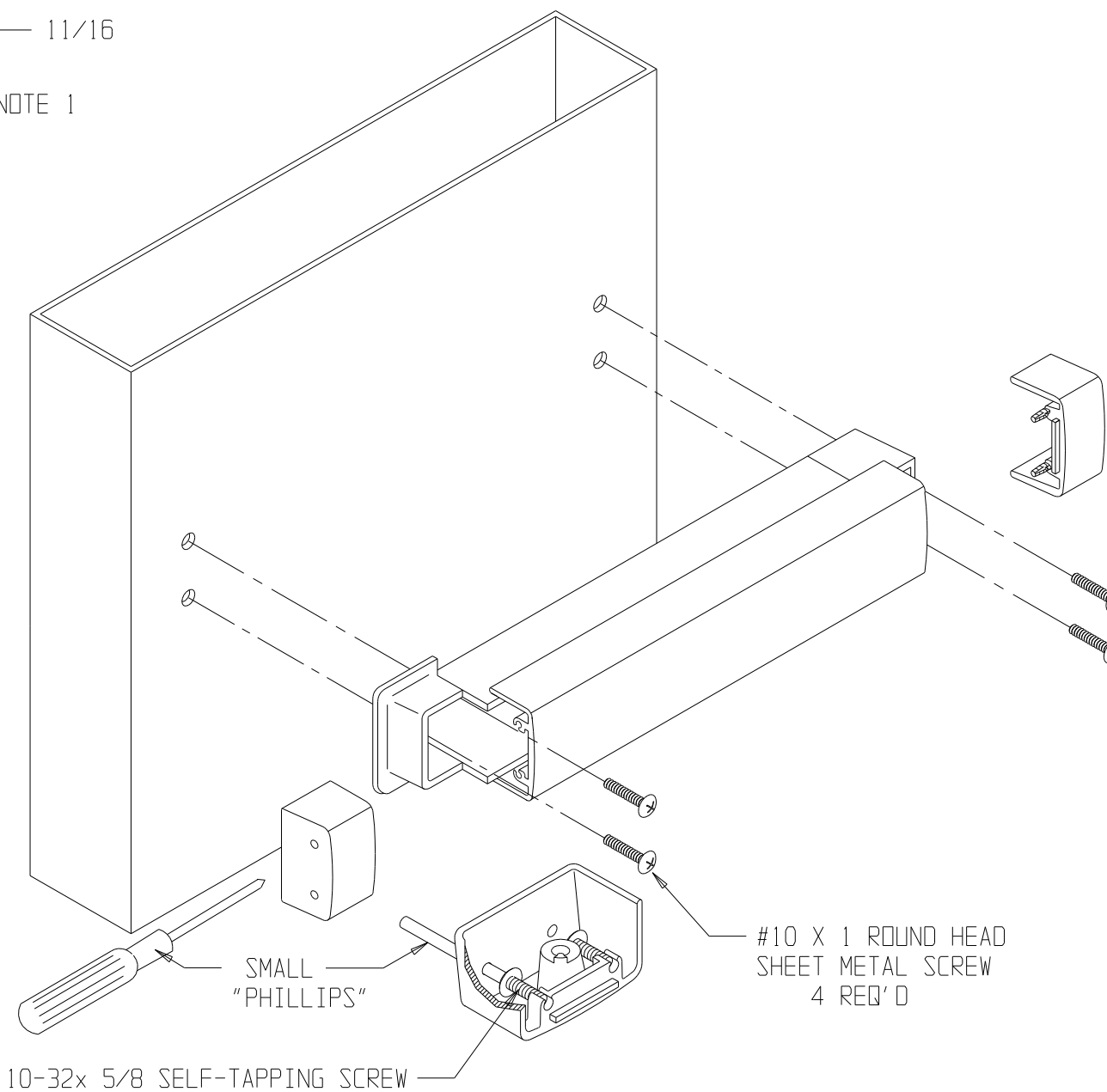
NOTE: THESE DIMENSIONS AND TEMPLATES ASSUMES A DOOR THICKNESS OF 1 3/4". FOR DOORS OF OTHER THICKNESS, CONSULT FACTORY.

NOTE 1. DRILL PILOT HOLE FOR #10 SHEET METAL SCREW (4 PLCS)

INSTALLATION

DUMMY PUSHBAR MOUNTING INSTRUCTIONS:

1. DETERMINE DESIRED PUSHBAR CENTERLINE HEIGHT.
2. USING THE PUSHBAR AS A TEMPLATE MARK & DRILL THE FOUR MOUNTING HOLES AS SHOWN.
3. POSITION BAR OVER MOUNTING HOLES AND INSTALL THE FOUR #10 ROUND HEAD SHEET METAL SCREWS.
4. INSTALL END CAPS.



www.adamsrite.com
 Phone: 800-626-7590
 800-872-3267
 Fax: 866-582-4641
 800-232-7329

80-0180-50

Rev. C

Ecn 11955D

8099 DUMMY PUSHBAR FOR
 WOOD / HOLLOW METAL DOOR

INSTALLATION INSTRUCTIONS

Page 2 of 2 Date:07/20/12 Appvd: MP