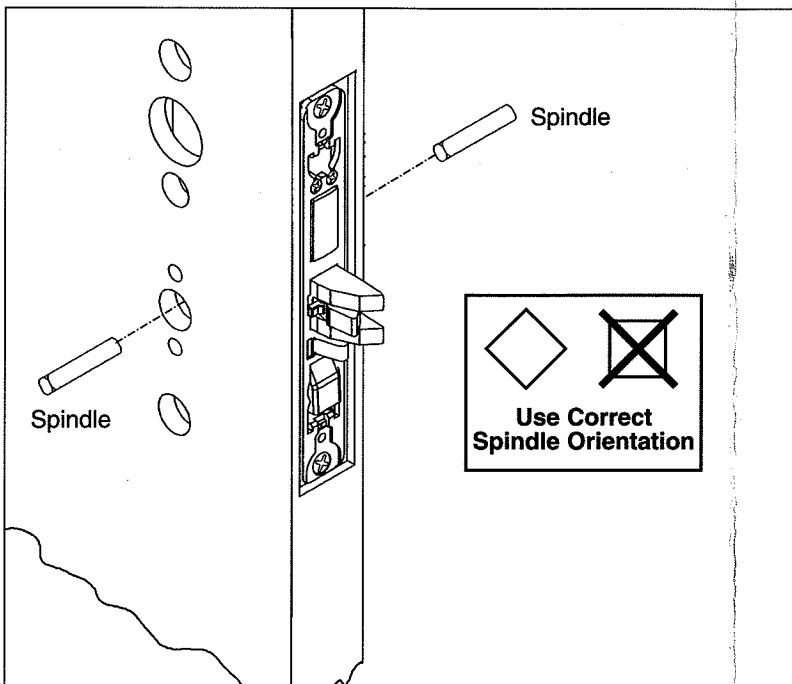
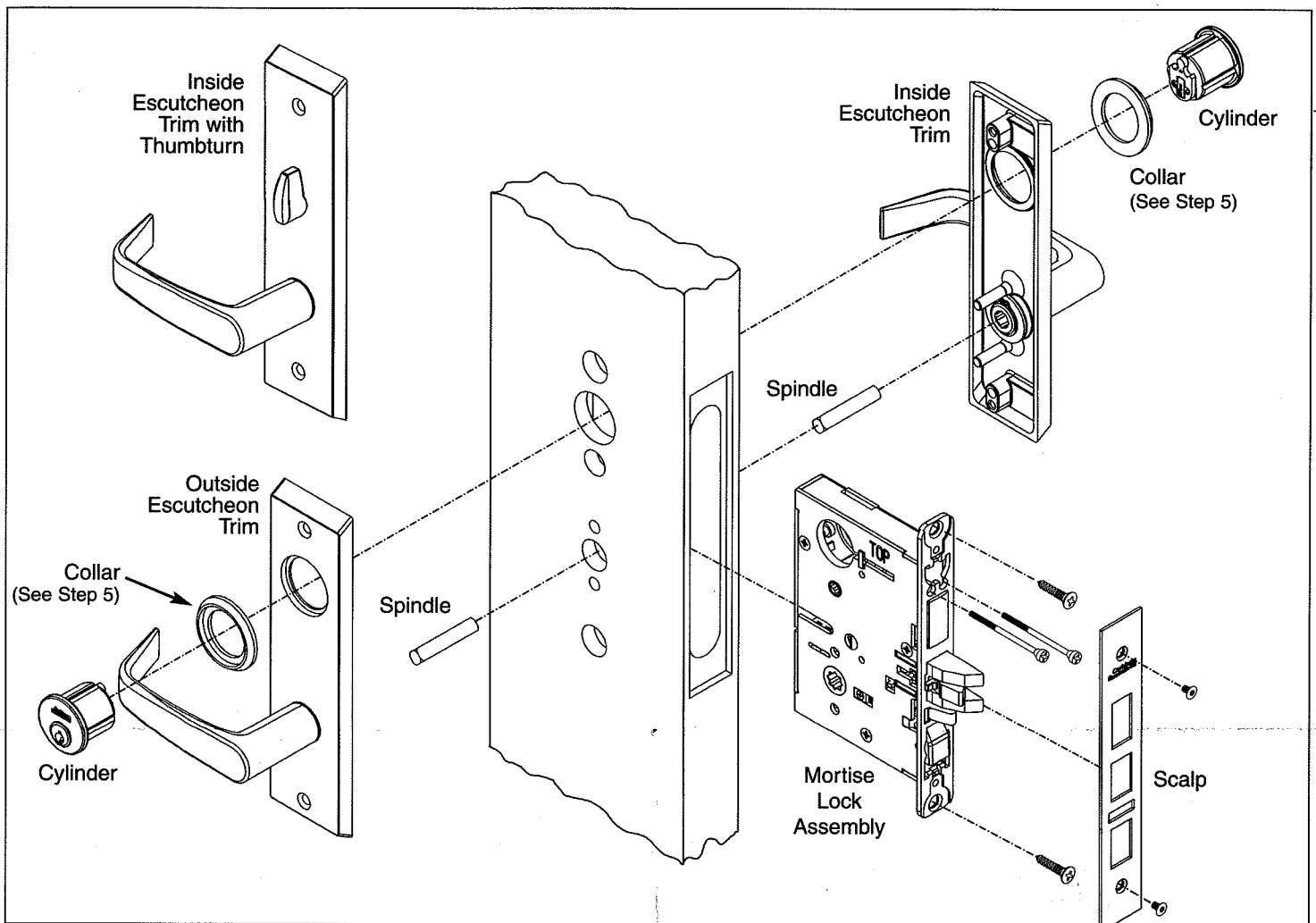


# Installation Instructions for Mortise Vandal Resistant Trim ML2000VR x CSV/NSV



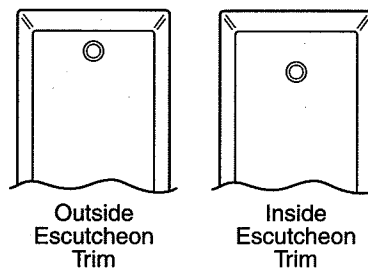
## Step 1

Mortise door for required lock and bore holes. Use template packed with lock. Thread cylinder set screws partially into lock before inserting lock into mortise. Insert lock into mortise opening. **Hand tighten combo screws.**

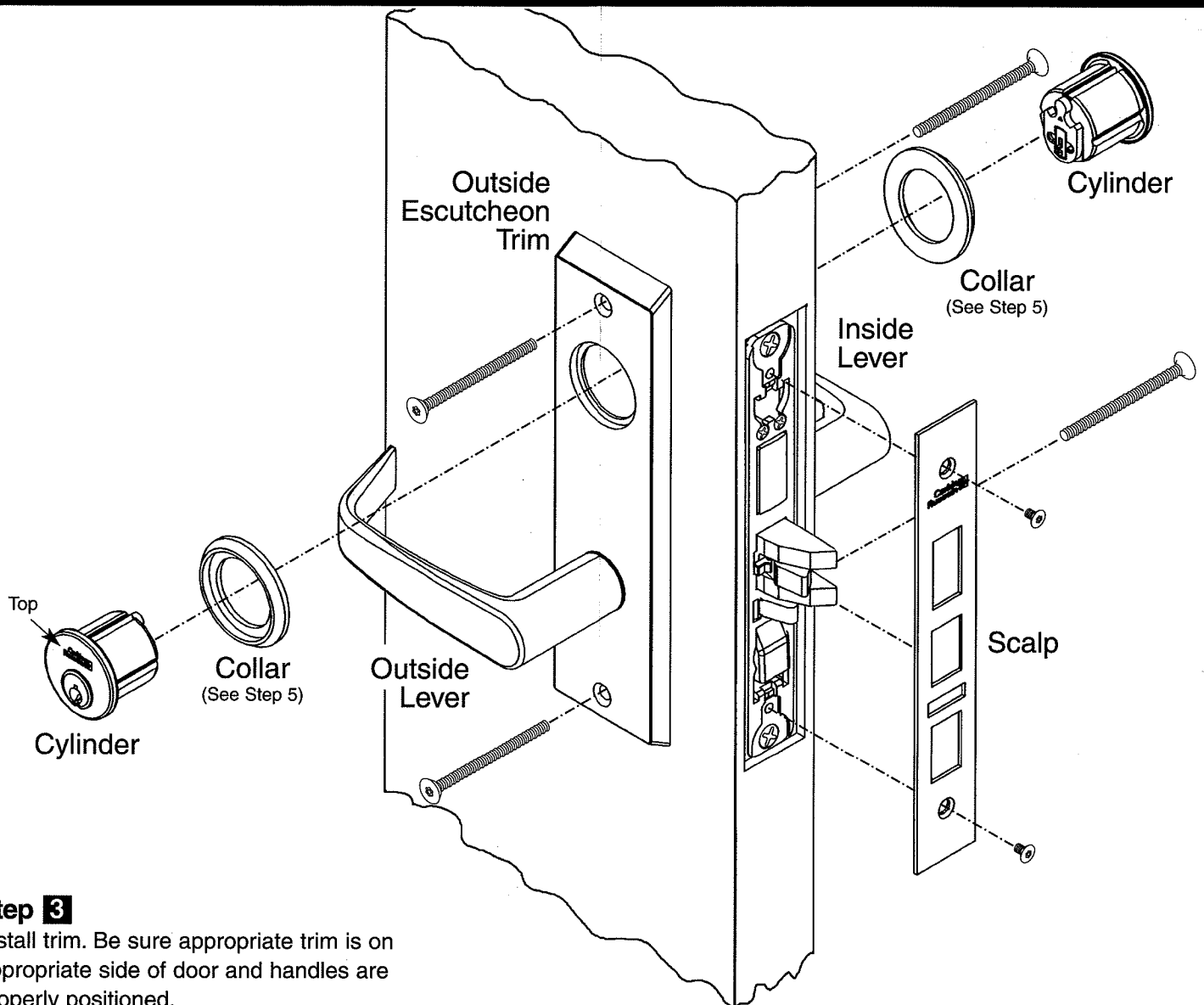
## Step 2

Install spindle from each side. Look for proper orientation.

**Note location for screws on each escutcheon.**



# Installation Instructions for Mortise Vandal Resistant Trim



## Step 3

Install trim. Be sure appropriate trim is on appropriate side of door and handles are properly positioned.

## Step 4

Fasten Torx screws. **Hand tighten screws.** (4 tamper resistant screws total).

## Step 5

Install collar and cylinder from inside and outside if applicable. Screw cylinders in flush with collar or escutcheon. (Corbin Russwin logo on top). Secure cylinder with cylinder set screw.

## Step 6

Check function from both sides using key and lever.

## Step 7

Tighten all screws on mortise lock and escutcheons. **Check function from both sides using key or lever.**

## Step 8

Install scalp and strike. Tighten screws using #20 Torx bit. **Check function from both sides using key and lever.**

## CAUTION:

With door closed, **VERIFY** latch bolt and deadbolt will project into strike openings **FREELY**.

**Corbin  
Russwin** 

In U.S.: Corbin Russwin, Inc.  
1902 Airport Road, Monroe, NC 28110  
Phone: 800-543-3658 / 704-283-2101  
Fax: 800-447-6714 / 704-289-6937  
[www.yalesecurity.com](http://www.yalesecurity.com)

In Canada: Yale-Corbin Canada LTD.  
3160 Orlando Drive  
Mississauga, Ontario, Canada L4V1R5  
Phone: 800-461-3007 / 905-672-6220  
Fax: 800-461-8989 / 905-672-9022  
[www.yalecorbin.on.ca](http://www.yalecorbin.on.ca)