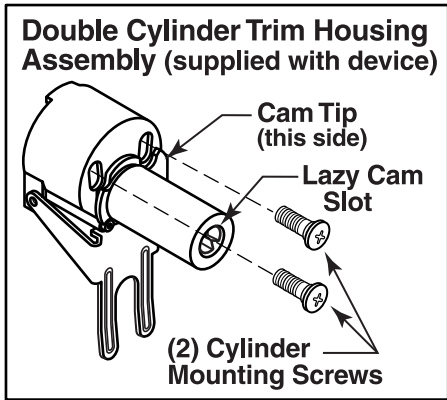


**ED5202S (A) SERIES SecureBolt®  
DOUBLE CYLINDER EXIT DEVICE**

FM 219 9/03  
(617417370)

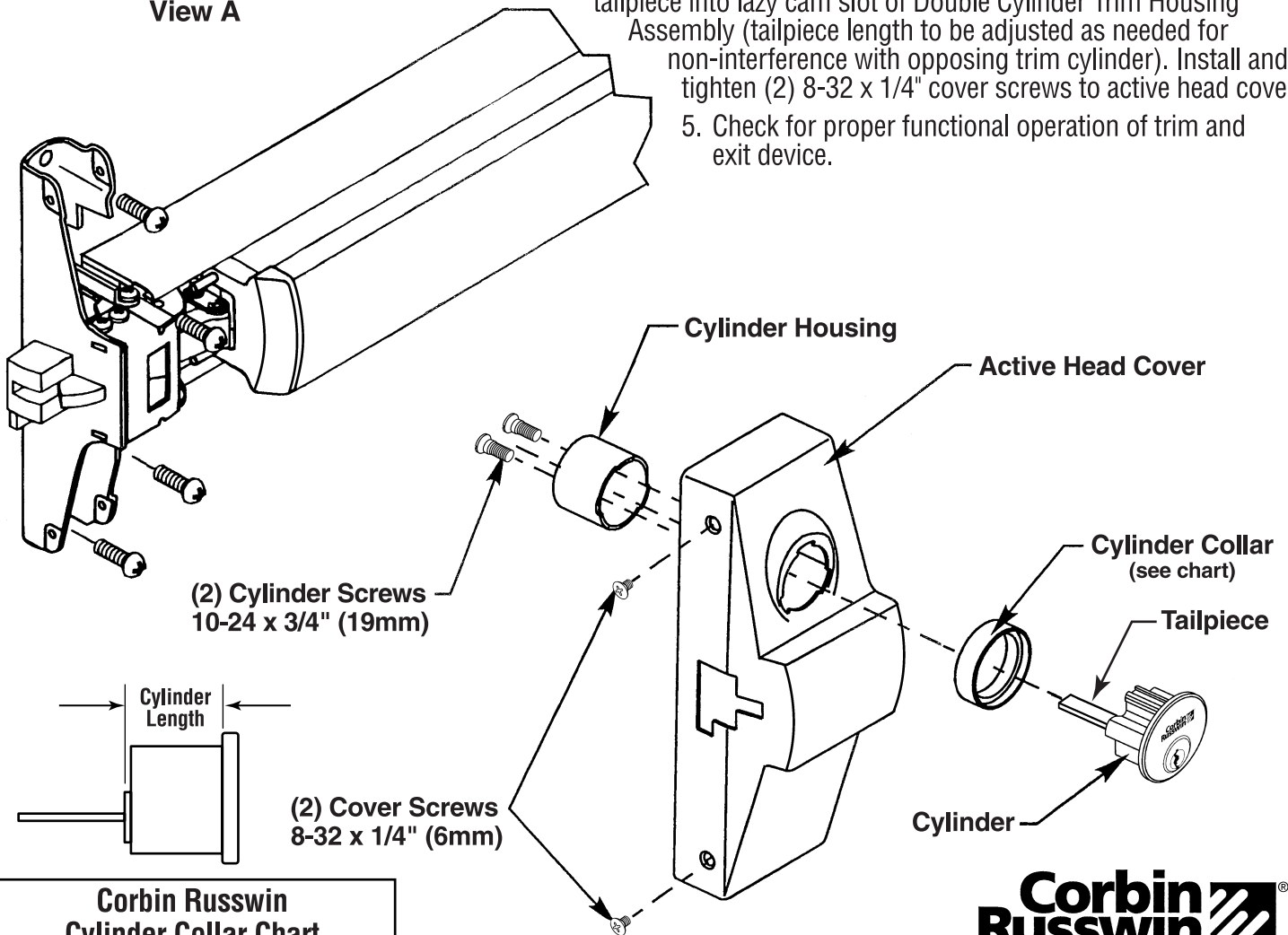
(For use in conjunction with Corbin Russwin 955 Series trim)



**View A**

**Double Cylinder Mounting Instructions**

1. Follow 955 Series trim installation instructions. Substitute the cylinder housing assembly with the Double Cylinder Trim Housing Assembly supplied with device (see View A). Continue with trim mounting instructions.
2. Follow ED5200S (A) mounting instructions supplied with device. Once complete, continue with Double Cylinder instructions listed below.
3. Pre-assemble cylinder thru cylinder collar, active head cover, and cylinder housing as shown. Secure cylinder housing to cylinder with (2) 10-24 x 3/4" cylinder screws. The keyway position should be vertical with plug in lower side of cylinder as shown.
4. Assemble active head cover to device by inserting cylinder tailpiece into lazy cam slot of Double Cylinder Trim Housing Assembly (tailpiece length to be adjusted as needed for non-interference with opposing trim cylinder). Install and tighten (2) 8-32 x 1/4" cover screws to active head cover.
5. Check for proper functional operation of trim and exit device.



| Corbin Russwin<br>Cylinder Collar Chart |  |        |
|---|--|--------|
| Cylinder Length                         |  | Collar |
| 1-1/8" (29mm)                           |  | 270F15 |
| 1-1/4" (32mm)                           |  | 654F07 |
| 1-1/2" (38mm)                           |  | 654F08 |