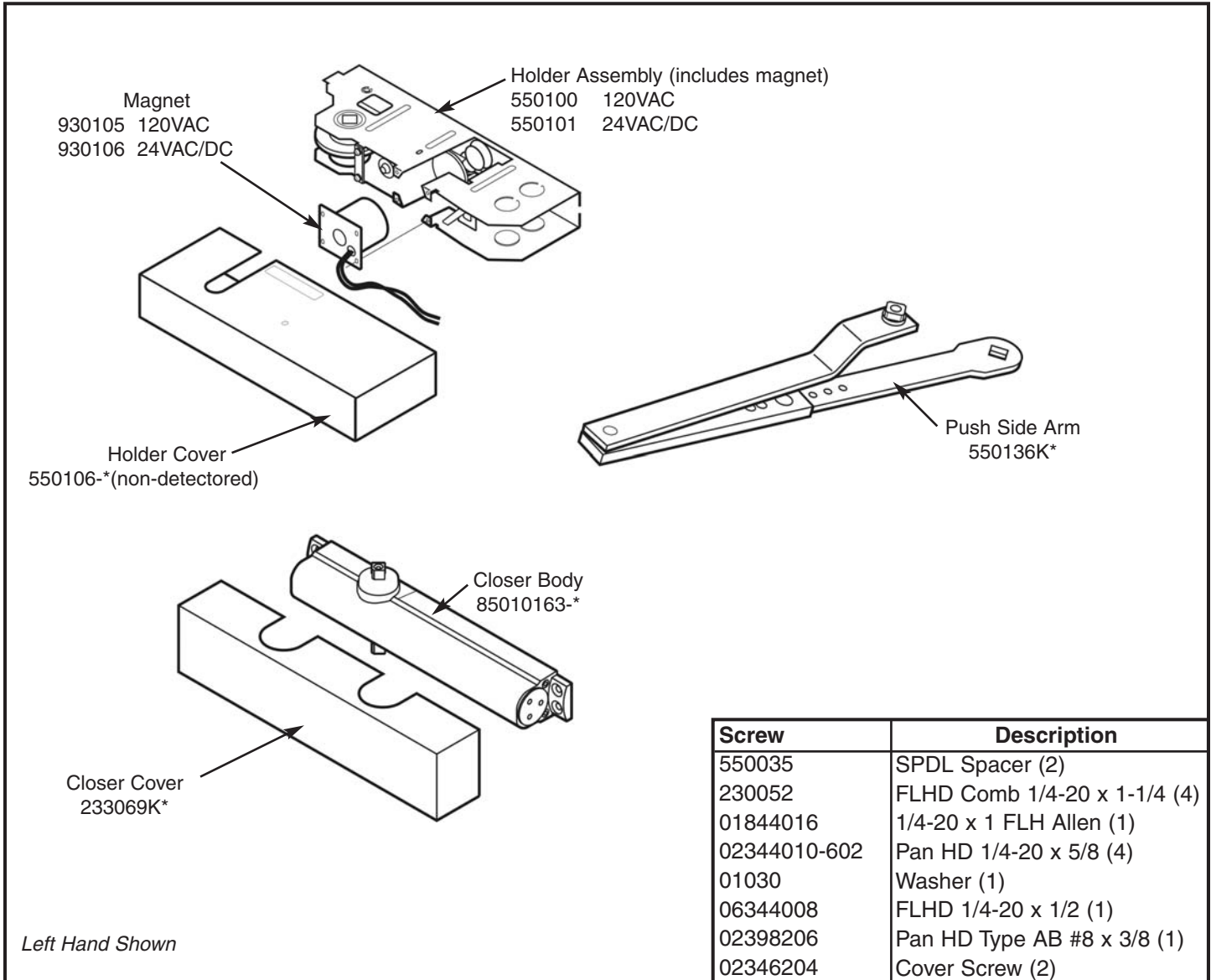


**Model 0601K**

**Push Side Mounting**

\*85° thru Maximum Degree of Swing  
Single Point Hold Open

**Not for Use on Doors that will be  
Manually Closed on a Daily Basis**



Screw	Description
550035	SPDL Spacer (2)
230052	FLHD Comb 1/4-20 x 1-1/4 (4)
01844016	1/4-20 x 1 FLH Allen (1)
02344010-602	Pan HD 1/4-20 x 5/8 (4)
01030	Washer (1)
06344008	FLHD 1/4-20 x 1/2 (1)
02398206	Pan HD Type AB #8 x 3/8 (1)
02346204	Cover Screw (2)

**General Information:**

Non Handed

Door Hanging Means:

- Standard 4", 4-1/2", or 5" Butt Hinges
- 3/4" Offset Pivot
- For other means, contact factory

2" Minimum head frame

For frame face sizes less than 2", contact factory

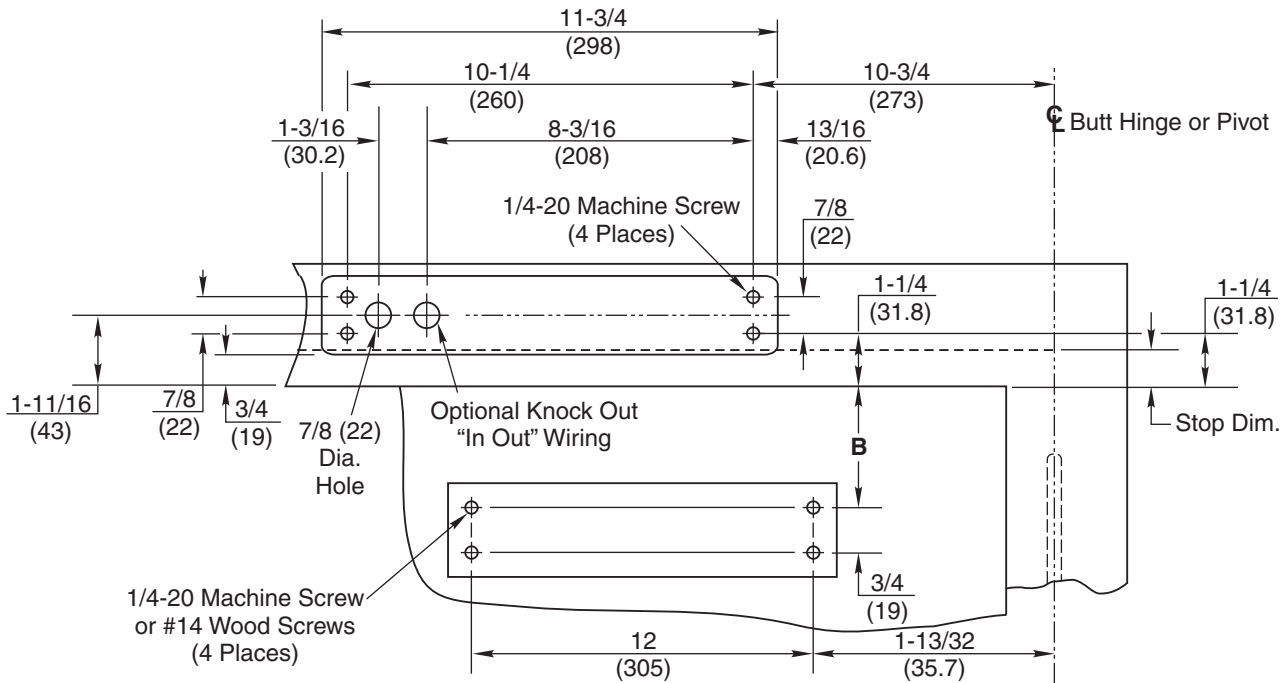
Maximum reveal 3-1/2"

For reveals from 3-1/2 to 7", use arm 550789

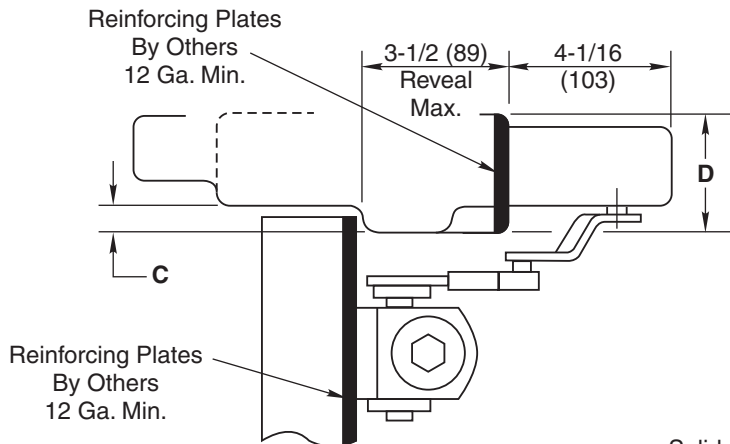
\*For hold-open from 105° - 180°, use arm 550789

## Mounting Hole Locations

- Right hand shown
- Door hanging means: 4", 4-1/2", 5" Butts or 3/4" Offset Pivots
- All dimensions given in inches (mm)



Stop Dim	B
1/2 (12.7)	2-5/16 (59)
5/8 (16)	2-7/16 (62)
3/4 (19)	2-9/16 (65)



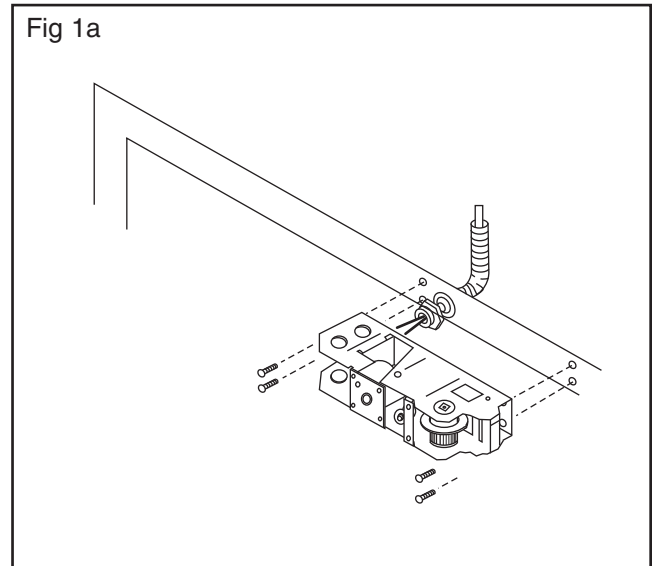
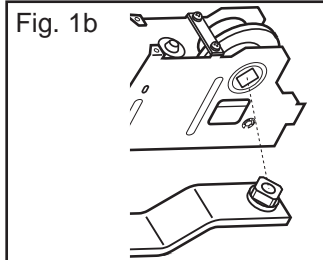
Closer Cover Dimensions  
 2-3/16" x 13" x 2-1/8" Projection  
 (55.5) x (330) x (54)

C	D
1/2 (12.7)	2-1/2 (63.5)
5/8 (16)	2-5/8 (67)
3/4 (19)	2-3/4 (70)

Solid Line Represents Double Egress Frame  
 Dotted Line Represents Standard Double Rabbeted Frame

## 1. Mounting Holder

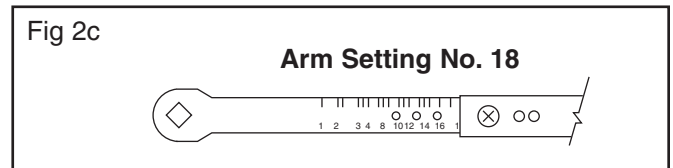
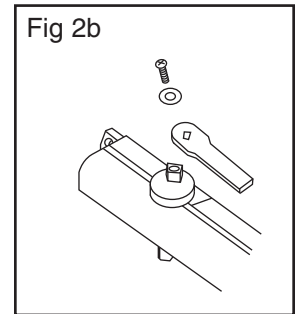
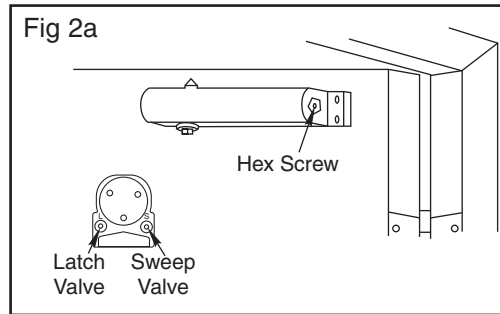
- Layout & prepare screw holes.
- Remove appropriate knock out in Smok-Chek & attach 3/8" (9.5) conduit fitting. (Fig. 1a)
- Push conduit back into frame.
- Attach holder with (6) 1/4-20 x 5/8 pan HD screws – tighten securely.
- Attach arm to holder with (1) 1/4-20 x 1 FHD allen screw. (Fig. 1b)



**CAUTION: SQUARE ON ARM MUST BE INSERTED AND TIGHTENED INTO HOLDER VERY SECURELY BEFORE ARM IS ATTACHED TO SPINDLE OF CLOSER.**

## 2. Mounting Closer

- Mount closer with sweep and latch valves toward lock edge of door. (Fig. 2a)
- Affix closer to door with (4) 1/4-20 x 3/4 FLH PR #14 x 1-1/2 FLWD
- Slide closer arm into holder arm sleeve. (Fig. 2c)
- Attach arm to closer spindle with washer and 1/4-28 x 1/2 FLH (Fig. 2b)
- Position arm at arm setting 18 (Fig. 2c)
- Do not** preload arm on closer.



**BEFORE BEGINNING WIRING, INSTALLER MUST BE GROUNDED!**

## 3. Electrical Wiring

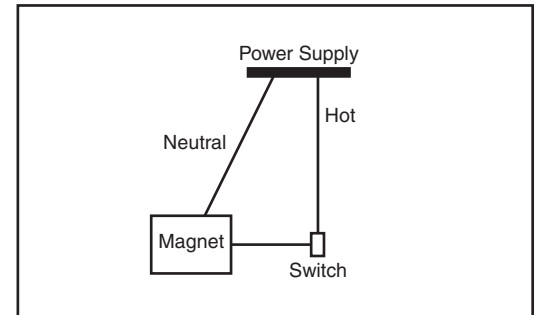
Field Wires should be 18ga OR as required by local code

- Connect switch – in series – with HOT lead of electromagnet.

Note:

120vAC draws .017 amp

24vAC/DC draws .080 amp



## 4. Making Adjustments to the Holder

- A. Closer spring force should be as low as possible. (Closer should arrive at lowest setting).
- B. Turn **OFF** Power (using ON/OFF switch).
- C. To set Hold Open:
  1. Door should be in **CLOSED** position.
  2. Raise or lower cam until the word "Push" is displayed from the **UNDERSIDE** of the unit (Fig 4a).
  3. Open door to desired Hold Open position.
  4. Raise or lower cam and **ROTATE** until pocket of cam is in position next to Roller A shown in Fig 4b
  5. **Release cam to re-engage teeth.**
  6. Turn **ON** power (using ON/OFF switch).
  7. **OPEN DOOR.** Door should stay in Hold Open position—if not, repeat Steps 3 and 4.
  8. Pull door **OUT** of Hold Open—door should close freely.
  9. **OPEN DOOR.** If releasing force needs to be increased, turn adjusting nut **IN**. If lesser holding force is desired, turn nut **OUT**.

Fig 4a

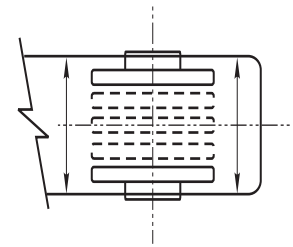
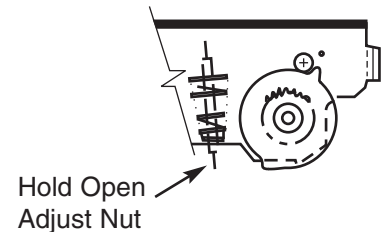


Fig 4b



### Trouble-Shooting Tips:

1. Turn ON power.
2. Can door swing far enough to engage hold open? Minimum opening is 85°.
3. Make sure closer is at lowest spring setting.
4. Put piece of metal against the magnet to make sure it is receiving current.
5. If not, double check wiring instructions.
6. If so, with door in closed position look up at holder mechanism. Word PUSH should be visible, if not, adjust cam.
7. Turn adjusting nut.
8. Check arm indexing.

## 5. Closer Adjustments

- A. Manually pull door out of Hold Open.
- B. If closing force is too weak, turn adjusting nut on end of closer (Fig 5a) clockwise.
- C. Put door in Hold Open position.
- D. If door does not stay in Hold Open, re-adjust closing force until door latches but the force of the closer does **NOT** pull door out of Hold Open.
- E. Adjust closing speed. (Fig 5b)
- F. Adjust latch speed. (This speed should be slightly faster than closing speed.)
- G. Attach covers to closer and holder with screws provided.

Fig 5a

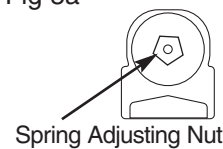


Fig 5b

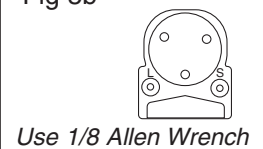
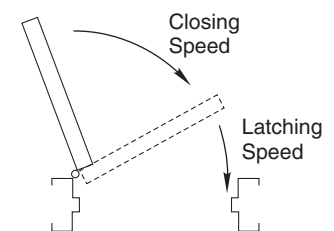


Fig 5c



**RIXSON**  
**ASSA ABLOY**

Rixson® and Smok-Chek® are registered trademarks of Yale Security Inc., an ASSA ABLOY Group company.  
Copyright© 2005, 2009, Yale Security Inc., an ASSA ABLOY Group company. All rights reserved.  
Reproduction in whole or in part without the express written permission of Yale Security Inc., is prohibited.