

### **ELECTROMECHANICAL AUTOMATIC OPERATORS**

LCN's electromechanical products are designed primarily for automatic opening applications that occasionally require manual opening. A control box provides all electrical functions. These self-contained units are suitable for use on single leaf doors or pair of doors. These products combine all the control and power elements into a single operator package, only some actuators are required to complete the system.

- Surface mounted and overhead concealed mountings available.
- Available in two standard anodized finishes – Aluminum and Dark Bronze.

### **LOW ENERGY ELECTROMECHANICAL POWER OPERATORS**

- Complies with ANSI 156.19.
- Opening time from full close to backcheck is no faster than 3 seconds.
- Less than 15 lbs of force to open door manually.

### **STANDARDS, LISTINGS & APPROVALS**

- UL listed for self-closing doors without hold open. UL 325.
- Tested and certified under ANSI.
- Low Energy Electromechanical Operators ANSI 156.19.
- ADA Compliant.
- Wiring is compliant with both UL 325 and the NEC. Separation of high and low voltage.
- Consult the factory for other listings.

### **WARRANTY**

- 2 year limited warranty. See General Information Section for complete details.

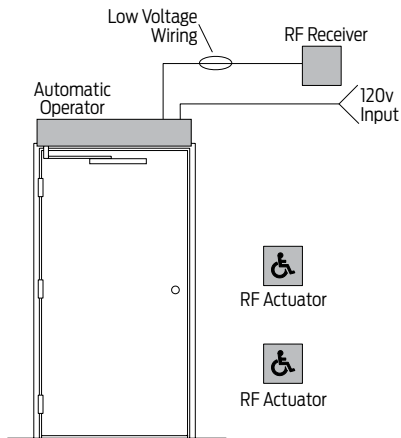
### **MAINTENANCE**

Low Energy Electromechanical Power Operators

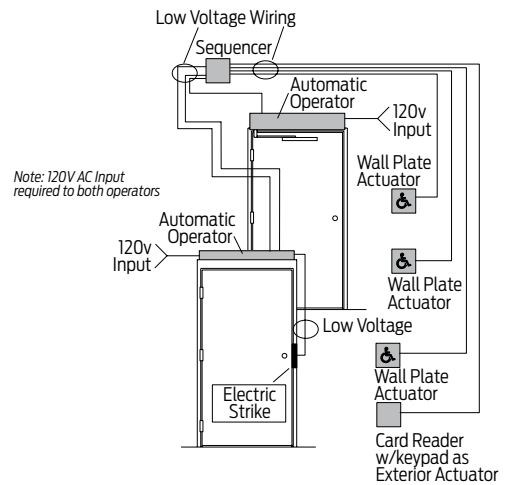
- Operators mounted according to the LCN Installation instructions require no periodic maintenance or adjustments.
- Periodic visual inspections are recommended.
- No service contracts.

This page illustrates examples of typical Electromechanical LCN systems. Please consult your local SSC representative of LCN for assistance with specific installations and material requirements.

**SINGLE DOOR SYSTEMS**



**VESTIBULE ENTRY OPERATION**



**SINGLE DOOR SYSTEM (WIRELESS)**

- An interior door
- Guide rails or safety devices not required
- Free swinging (or dogged) door

**How It Works:**

- Wireless actuators with receiver, powered by the transformer allows for easy installation
- For automatic door operation, touching either actuator signals the receiver and power operator to open the door to 90 degrees
- The door is held there until the system times out
- Door closes via spring return
- Door opening speed, closing speed and hold open time is adjustable on the control box
- If not actuated, the power operator functions as a manual door

| Bill Of Materials: | Qty. | Part No.    | Description             |
|--------------------|------|-------------|-------------------------|
|                    | 1    | 9531        | Automatic Operator (RH) |
|                    | 2    | 8310-3853WS | Wireless Actuators      |
|                    | 1    | 8310-865    | Wireless Receiver       |

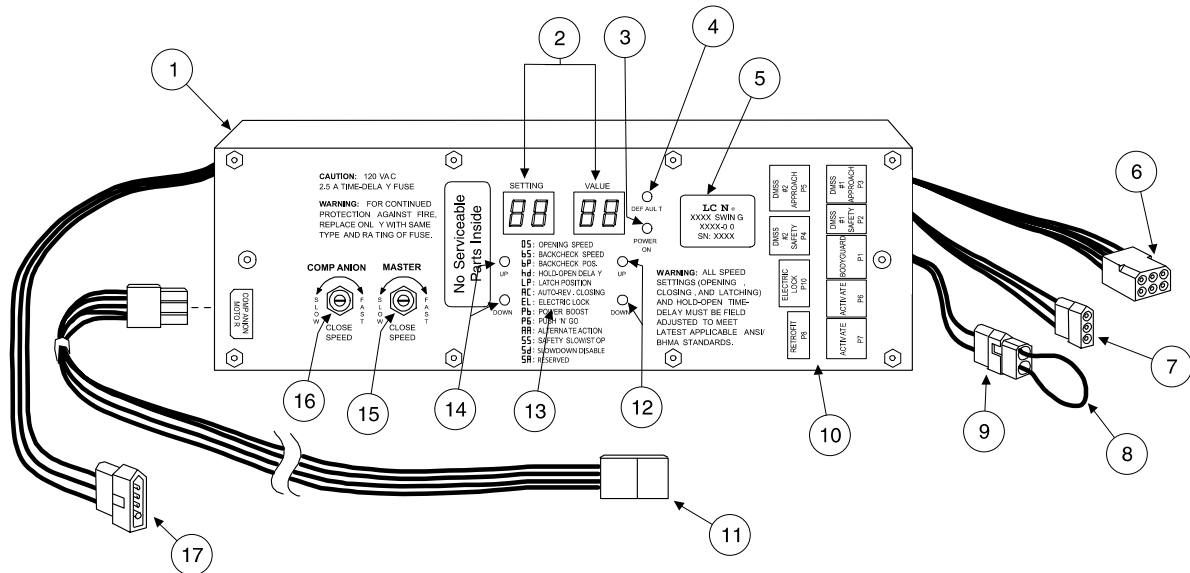
**VESTIBULE ENTRY SYSTEM (WIRED)**

- Exterior & vestibule doors
- Sequential operation
- Guide rails or safety devices not required
- Controlled access, free egress

**How It Works:**

- This installation provides both accessibility and security for building occupants
- It allows for the integration of multiple automatic operators, a card reader and electric strike
- A sequencer allows sequential operation of the two automatic operators
- Vestibule actuators allow single door ingress/ egress from the vestibule as needed
- If not actuated the power operator functions as a manual door

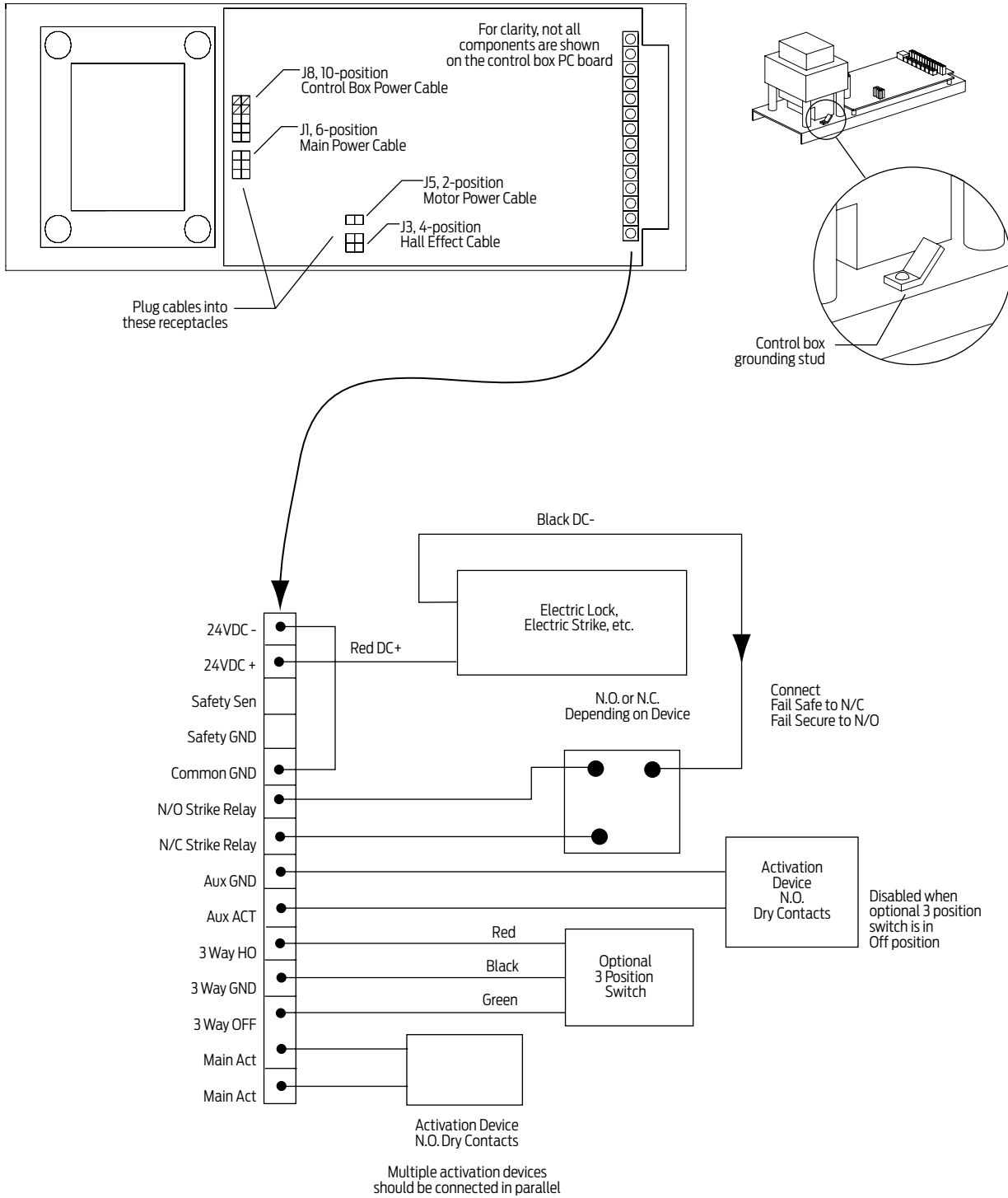
| Bill Of Materials: | Qty.   | Part No. | Description             |
|--------------------|--|----------|-------------------------|
|                    | 1  | 9542     | Automatic operator (RH) |
|                    | 1  | 9531     | Automatic operator (RH) |
|                    | 3  | 8310-853 | Wall Plate Actuators    |
|                    | 1  | 8310-849 | Sequencer               |
|                    | Other products from Von Duprin and Schlage Electronics |          |                         |



### CONTROL BOX - 2800, 9500 SERIES

1. Control Box, 115VAC 60Hz, or 240 VAC 50/60 Hz
2. Seven Segment Display
3. Power Indicator
4. Factory Default Push Button
5. Model Identification Label
6. 6-Pin Connector for Master Motor
7. 3-Pin Connector for 3 Position Switch
8. Breakaway Jumper Cable
9. 2-Pin Connector for Breakaway Switch
10. Accessory Direct Connect Diagram
11. 6-Pin Connector for Companion Motor (supply only w/ simultaneous pairs)
12. Value Adjustment Push Buttons
13. Setting Adjustment Menu
14. Function Adjustment Push Buttons
15. Closing Speed Adjustment Dial (Master)
16. Closing Speed Adjustment Dial (Companion)
17. 3-Pin Connector for AC power

**STANDARD CONTROL BOX - 9100 SERIES**



### **GENERAL ELECTRICAL DATA**

1. The 115/240 volt power supply must be a dedicated circuit from the main circuit breaker panel and must not be connected into a building lighting system operating fluorescent lights.
2. Location of conduits determined by mounting. See installation instructions for location.

### **2800, 9500, SERIES**

#### **Electrical Data**

1. 120 VAC 60Hz input @ 2.5 amps (2800 and 9500 Series).
2. 240 VAC 50/60 Hz @ 2.5 amps (2800, and 9500 Series).
3. 24 V AC output @ 1.5 amps (protected by self-resetting thermal fuse).
4. 24 V DC available with SO kit included.

### **9100, SERIES**

#### **Electrical Data**

1. 120 VAC input @ 1 amp.
2. 24 VDC output @ 2.5 amps.

### **On-Board Power Supply**

Provides 24V DC output to power card readers, manual actuators and other peripherals.

### **Electronic Circuit Protection**

Fused input circuit protection and fused output protection for 24 VDC peripherals.

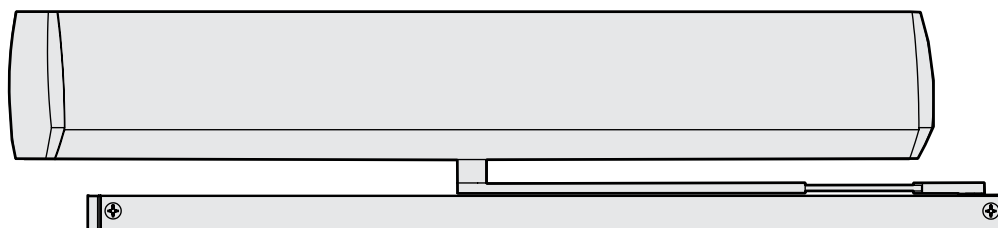
### **Visual Function Indicators**

There are 2 LED's for installation and trouble shooting feedback. The motor LED will illuminate when the motor drive circuit energizes. This is when the operator is activated it will remain on only during the opening of the door and the power LED this will illuminate when power is applied to the board and remains illuminated as long as there is power applied to the board.

### **Programming Mode**

Allow tailoring of the following functions to meet specific site conditions:

- Power Boost
- Opening Speed
- Backcheck Speed
- Hold Open Time Delay
- Backcheck Position
- Closing Speed
- Latch Position
- Push 'N Go
- Delayed Activation



The 9130 BENCHMARK by LCN is an electrically powered low-energy operator. It provides easy access for people with disabilities, or the elderly. Designed primarily for automatic opening applications that occasionally require manual opening. The BENCHMARK is a cost-effective solution for retrofitting an activated or manual door.

|                       |  |
|-----------------------|--|
| <b>Certifications</b> | Grade 1 - A156.19, UL325, ADA, 100 Hour Salt Spray, Meets BAA - Buy American Act   |
| <b>Handing</b>        | Non-Handed   |
| <b>Door Width</b>     | <ul style="list-style-type: none"> <li>■ 30" - 48"</li> <li>■ 30" minimum door width for 27"</li> <li>■ 36" door width only for full length pull operator</li> </ul> |
| <b>Warranty</b>       | 2 years  |

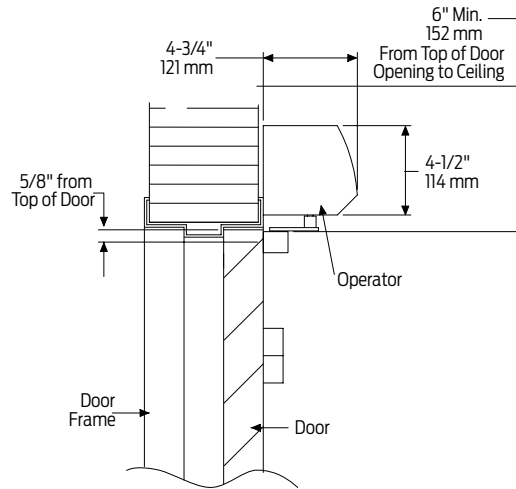
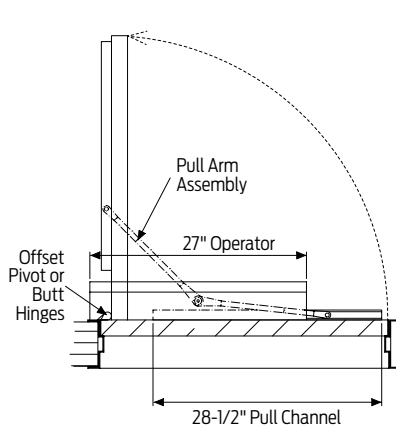
|   |  |
|---|--|
| <b>Cover</b>                            | <ul style="list-style-type: none"> <li>■ Metal 27", standard</li> <li>■ Metal 36", optional</li> </ul>           |
| <b>Fasteners</b>                        | Wood and machine screws  |
| <b>Mounting</b>                         | Single interior door, surface mount, offset pivot / butt hinge (Pull Side)                                       |
| <b>Arms</b>                             | Standard arm and track   |
| <b>Finishes/Colors/<br/>Powder Coat</b> | <ul style="list-style-type: none"> <li>■ Anodized aluminum, standard</li> <li>■ Dark bronze, optional</li> </ul> |

**Special  
Templates**

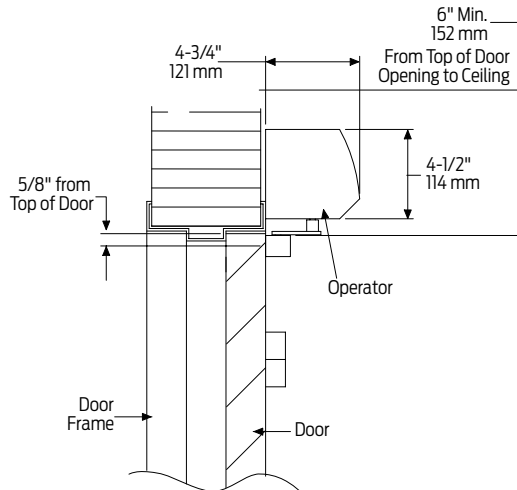
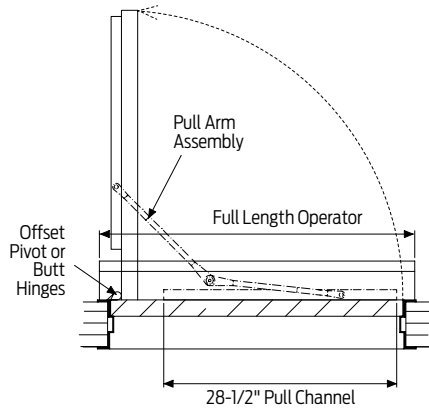
Customized installation templates or products may be available to solve unusual applications. Contact LCN Product Support for assistance.

| MOUNTING                  |                                 |                       |                             |                            | HANDING |            | FINISH            | COVER | ARM FUNCTION            |                        |                           |                             |                  |
|---------------------------|---------------------------------|-----------------------|-----------------------------|----------------------------|---------|------------|-------------------|-------|-------------------------|------------------------|---------------------------|-----------------------------|------------------|
| SURFACE MOUNT SINGLE DOOR | SURFACE MOUNT SIMULTANEOUS PAIR | CONCEALED SINGLE DOOR | CONCEALED SIMULTANEOUS PAIR | CONCEALED INDEPENDENT PAIR | HANDED  | NON-HANDED | STANDARD ANODIZED | METAL | STANDARD (SINGLE LEVER) | REGULAR (DOUBLE LEVER) | OFFSET EGRESS (PUSH/PULL) | CENTER PIVOT BUTT HINGE ARM | CENTER PIVOT ARM |
| ●                         | ○                               | ○                     | ○                           | ○                          | ○       | ●          | ○                 | ○     | ○                       | ○                      | ○                         | ○                           | ○                |

● AVAILABLE  
○ NOT AVAILABLE



**Offset/butt hinge, center pivot, pull, standard cover**



**Offset/butt hinge, center pivot, pull, full cover**

|                                 |   |
|---------------------------------|---|
| <b>Butt Hinges</b>              | Should not exceed 5" (127 mm) in width  |
| <b>Reveal</b>                   | Should not exceed 1/8" (3 mm)   |
| <b>Head Frame</b>               | Minimum 2" (51 mm)  |
| <b>Top Rail</b>                 | Minimum 2" (51 mm)  |
| <b>Opening and Closing Time</b> | <ul style="list-style-type: none"> <li>■ Variable by adjustments to the electronic control module located on the operator assembly</li> <li>■ Maximum hold open time adjustable up to approximately 30 seconds</li> </ul> |
| <b>System Diagram</b>           | See "AUTOMATIC OPERATORS" section page 51 for typical system wiring and page 53 for electrical data   |
| <b>Maximum Opening</b>          | Template allows 90 degree power opening and 90 degree manual opening  |

**Notes:**

- Push 'N Go permits non-switch activation with a microprocessor control box that ensures reliability and maintains customer settings
- Power boost allows for increased closing force near latch
- On/off switch is included as standard
- All potentiometers are clearly labeled with their functions
- LED lights indicate power to control box and motor gearbox



**Motor Gearbox**



**9130-3454S**  
Motor Gearbox Assembly

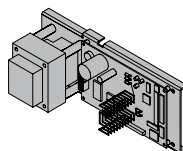
- Driving mechanism for operator (switch included)
- For 27" unit



**9130-3454**  
Motor Gearbox Assembly (W/O Switch)

- Driving mechanism for operator (switch not included)
- For full length 36" unit

**Control Box**



**9130-3462**  
Control Box (120v)

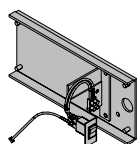
- Electronic controlling device with power supply output and power boost feature for Benchmark

**Brackets**



**9130-3018**  
Mounting Bracket

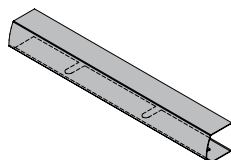
- Standard



**9130-3351-2**  
Switch Bracket

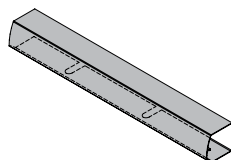
- 41" cable
- Bracket used to locate switch at end of cover on full length unit

**Covers**



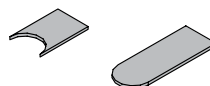
**9130-72MC**  
Metal Cover

- Non-handed
- 27"
- Extruded aluminum
- Standard



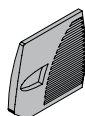
**9130-72FC**  
Full Metal Cover

- Non-handed
- 36"
- Extruded aluminum



**9130-163**  
Cover Insert

- Used to cover operator shaft opening (includes 2 pieces)



**9130-163-1**  
Cover End Cap Insert

- Used to cover switch hole opening



**9130-334**  
Cover End Cap

- Black plastic
- Includes 9130-163-1 cover and cap insert

### Tracks



**9130-3038**  
Standard Track

- Non-handed
- Standard



**9130-73**  
Track End Cap

- Black plastic



**9130-3034**  
Roller Assembly

- Quiet low friction

### Arms



**9130-3077T**  
Standard Arm

- Non-handed
- Track roller not included



**9130-3077PLCM**  
Standard Arm

- Non-handed
- Standard non-handed track

**How-to-order 9130 Series closers**

**Specify Finish**

- Standard Anodized Finish \_\_\_\_\_  
Aluminum or Dark Bronze

**Operator options**

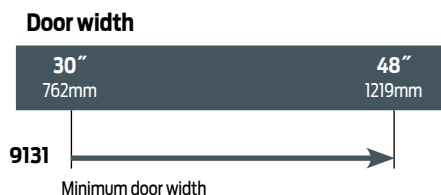
**Cover**

- 36" Full Cover

**Operator will be shipped with:**

- Standard motor gearbox
- Standard control box
- Mounting bracket
- 27" metal cover
- Standard arm (3077t)
- Standard track w/track roller
- Wood and machine screw pack  
unless options listed below are selected

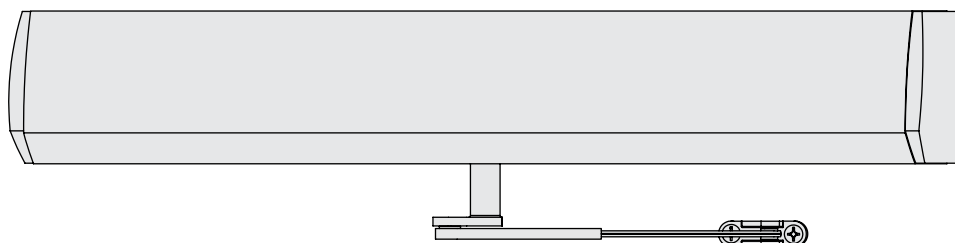
**Table of sizes**



→ Indicates recommended range of door width for operator.

*NOTE: For All Benchmark Series.  
30" minimum door width for 27" pull operator.  
36" door width only for full length pull operator.*



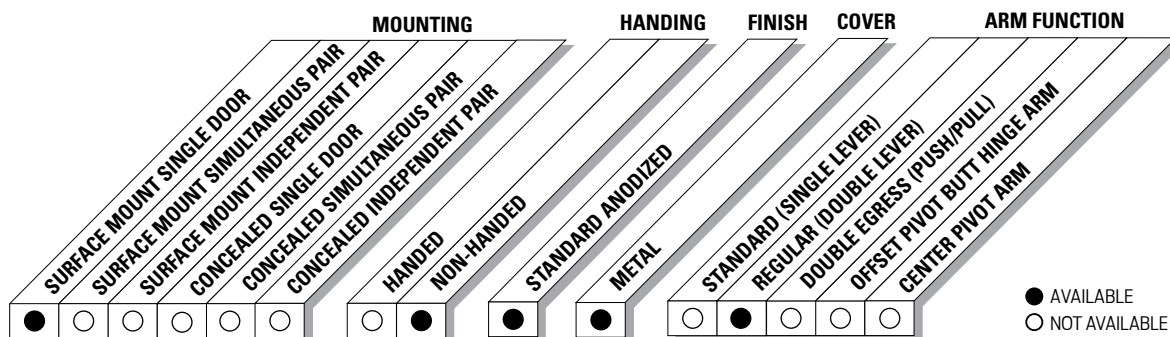


The 9140 BENCHMARK by LCN is an electrically powered low-energy operator. It provides easy access for people with disabilities, or the elderly. Designed primarily for automatic opening applications that occasionally require manual opening. The BENCHMARK is a cost-effective solution for retrofitting an activated or manual door.

|                       |  |   |  |
|-----------------------|--|---|--|
| <b>Certifications</b> | Grade 1 - ANSI A156.19, UL325/228, ADA, 100 Hour Salt Spray, Meets BAA - Buy American Act  | <b>Fasteners</b>                        | Wood and machine screws  |
| <b>Handing</b>        | Non-Handed   | <b>Mounting</b>                         | Single interior door, surface mount, offset pivot / butt hinge (Push Side)                                       |
| <b>Door Width</b>     | <ul style="list-style-type: none"> <li>■ 26" - 48"</li> <li>■ 26" minimum door width for 27"</li> <li>■ 36" door width only for full length pull operator</li> </ul> | <b>Arms</b>                             | Regular arm  |
| <b>Warranty</b>       | 2 years  | <b>Finishes/Colors/<br/>Powder Coat</b> | <ul style="list-style-type: none"> <li>■ Anodized aluminum, standard</li> <li>■ Dark bronze, optional</li> </ul> |

**Special  
Templates**

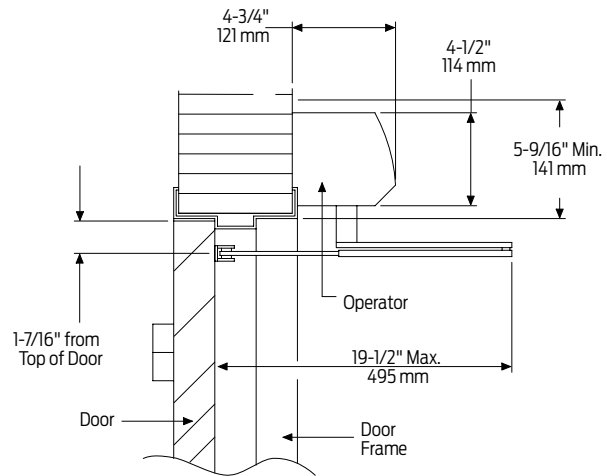
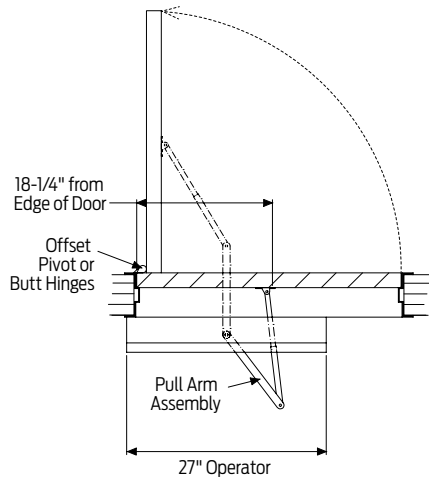
Customized installation templates or products may be available to solve unusual applications. Contact LCN Product Support for assistance.



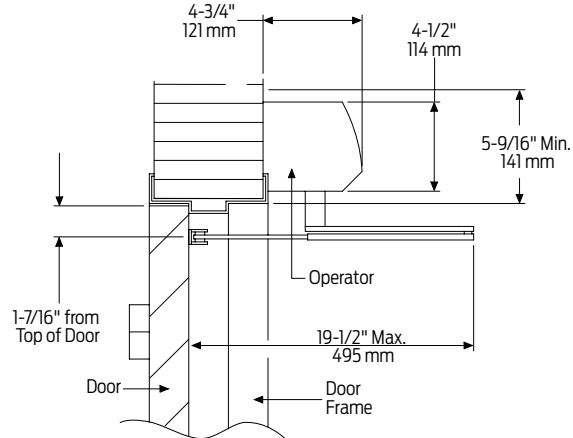
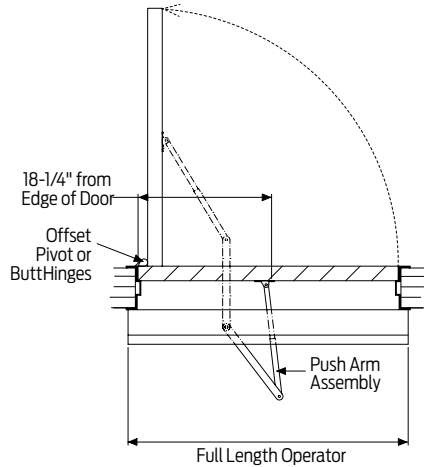
# 9140 Series Benchmark

## Mounting details

### Top Jamb Single Door Mounting



**Offset/butt hinge, center pivot, push, standard cover**



**Offset/butt hinge, center pivot, push, full cover**

|                                 |   |
|---------------------------------|---|
| <b>Butt Hinges</b>              | Should not exceed 5" (127 mm) in width  |
| <b>Reveal</b>                   | Push installations should not exceed 6" (152 mm) for REGULAR ARM and 9-3/4" (248 mm) for LONG ARM   |
| <b>Head Frame</b>               | Minimum 2" (51 mm)  |
| <b>Top Rail</b>                 | <ul style="list-style-type: none"> <li>Minimum 2" (51 mm)</li> <li>Flush ceiling installation requires 5-1/4" (133 mm) minimum</li> </ul>   |
| <b>Opening and Closing Time</b> | <ul style="list-style-type: none"> <li>Variable by adjustments to the electronic control module located on the operator assembly</li> <li>Maximum hold open time adjustable up to approximately 30 seconds</li> </ul> |
| <b>System Diagram</b>           | See "AUTOMATIC OPERATORS" section pages 54 for typical system wiring and page 55 for electrical data  |
| <b>Maximum Opening</b>          | Template allows 90 degree power opening and 90 degree manual opening  |

**Notes:**

- Push 'N Go permits non-switch activation with a microprocessor control box that ensures reliability and maintains customer settings
- Power boost allows for increased closing force near latch
- On/off switch is included as standard
- All potentiometers are clearly labeled with their functions
- LED lights indicate power to control box and motor gearbox

**Motor Gearbox**

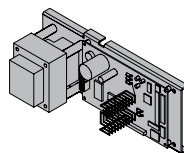


- 9140-3454S**  
Motor Gearbox Assembly
- Driving mechanism for operator (switch included)
  - For 27" unit



- 9140-3454**  
Motor Gearbox Assembly (W/O Switch)
- Driving mechanism for operator (switch not included)
  - For full length unit (36")

**Control Box**

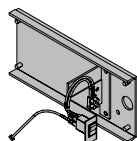


- 9130-3462**  
Control Box (120v)
- Electronic controlling device with power supply output and power boost feature for Benchmark

**Brackets**

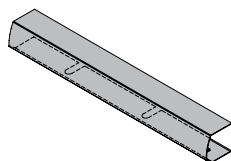


- 9140-3018**  
Mounting bracket
- Standard

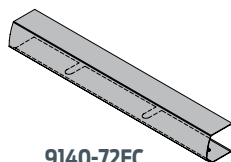


- 9140-3351-1**  
Switch Bracket
- 29" cable
  - Used with a 36" door
  - Used to locate switch at end of cover on full length unit

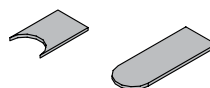
**Covers**



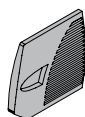
- 9140-72MC**  
Metal Cover
- Non-handed
  - 27"
  - Extruded aluminum cover
  - Standard



- 9140-72FC**  
Full Metal Cover
- Non-handed
  - 36"
  - Extruded aluminum cover



- 9140-163**  
Cover Insert
- Used to cover operator shaft opening (includes 2 pieces)



- 9140-163-1**  
Cover End Cap Insert
- Used to cover switch hole opening



- 9140-334**  
Cover End Cap
- Black plastic
  - Includes 9130-163-1 cover and cap insert

**Arms**



**9140-3077**  
Regular arm

- Non-handed



**9140-3077L**  
Long push arm

- Non-handed



**9140-79**  
Rod and shoe

- For use with regular arm



**9140-79LR**  
Long rod and shoe

- Used with long arm, for deep reveals



**How-to-order 9140 Series closers**

**Specify Finish**

- Standard Anodized Finish \_\_\_\_\_  
Aluminum or Dark Bronze

**Operator options**

**Cover**

- 36" Full Cover

**Arm**

- Long Arm (3077L) (reveals 6" to 9-3/4")

**Operator will be shipped with:**

- Standard motor gearbox
- Standard control box
- Mounting bracket
- 27" metal cover
- Standard arm (3077)
- Standard track w/track roller
- Wood and machine screw pack  
unless options listed below are selected

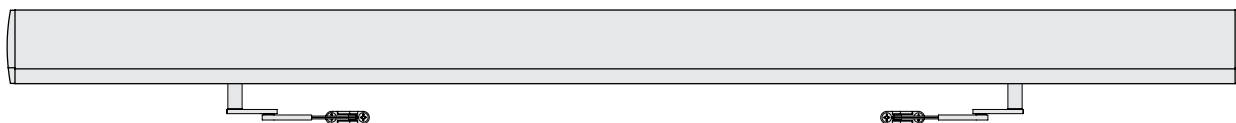
**Table of sizes**



→ Indicates recommended range of door width for operator.

*NOTE: For All Benchmark Series.  
30" minimum door width for 27" pull operator.  
36" door width only for full length pull operator.*





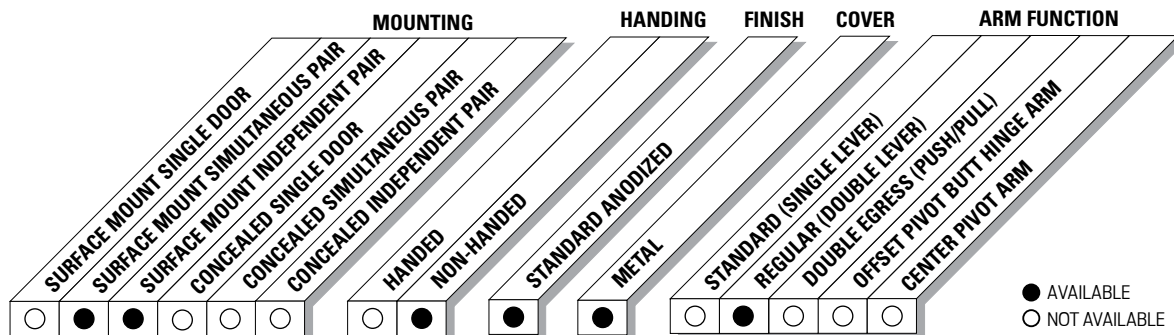
The 9150 BENCHMARK by LCN is an electrically powered low-energy operator. It provides easy access for people with disabilities, or the elderly. Designed primarily for automatic opening applications that occasionally require manual opening. The BENCHMARK is a cost-effective solution for retrofitting an activated or manual door.

|                       |   |
|-----------------------|---|
| <b>Certifications</b> | Grade 1 - ANSI A156.19, UL325/228 ADA, 100 Hour Salt Spray, Meets BAA - Buy American Act  |
| <b>Handing</b>        | Non-Handed  |
| <b>Templating</b>     | Peel-n-Stick templates - 2-3/8" x 6-3/4" Mounting Hole Pattern  |
| <b>Door Width</b>     | <ul style="list-style-type: none"> <li>■ Minimum door width 52" - 96"</li> <li>■ 72" door width only for full length double operator</li> </ul> |
| <b>Warranty</b>       | 2 years   |

|   |  |
|---|--|
| <b>Cover</b>                            | Metal, standard  |
| <b>Fasteners</b>                        | Wood and machine screws  |
| <b>Mounting</b>                         | Pair of doors, surface mount, offset pivot / butt hinges (Push Side)   |
| <b>Arms</b>                             | Regular arms   |
| <b>Finishes/Colors/<br/>Powder Coat</b> | <ul style="list-style-type: none"> <li>■ Anodized aluminum, standard</li> <li>■ Dark bronze, optional</li> </ul> |

**Special  
Templates**

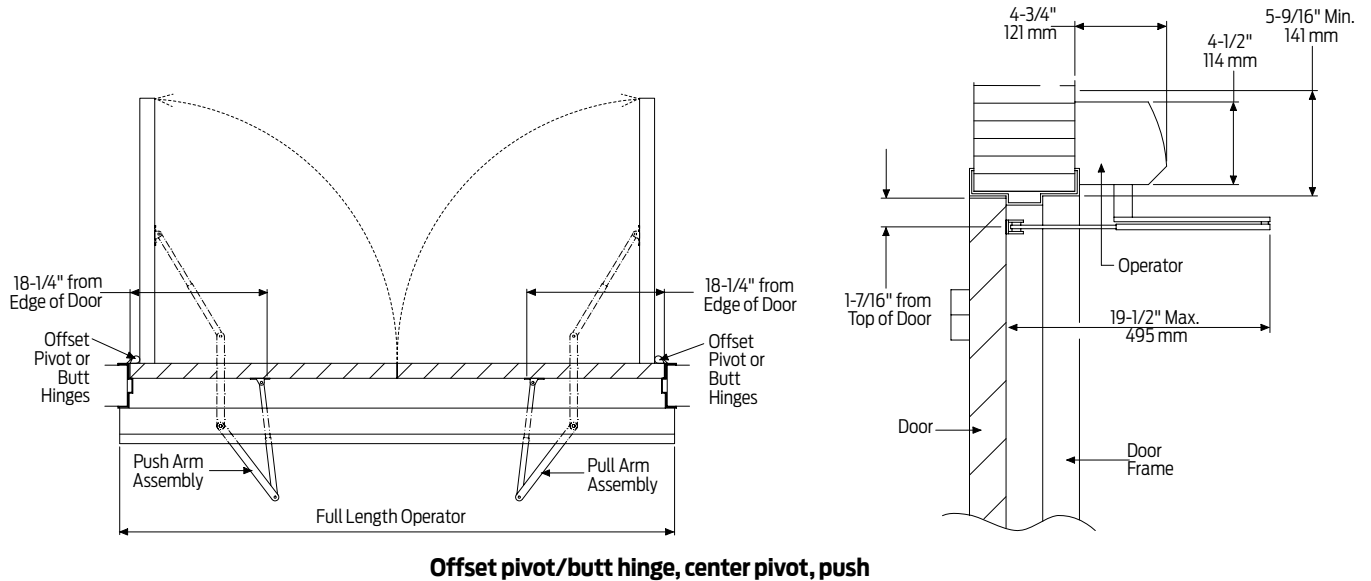
Customized installation templates or products may be available to solve unusual applications. Contact LCN Product Support for assistance.



# 9150 Series Benchmark

## Mounting details

Top jamb, Independent/  
Simultaneous Pair  
Mounting



|                                 |   |
|---------------------------------|---|
| <b>Butt Hinges</b>              | Should not exceed 5" (127 mm) in width  |
| <b>Reveal</b>                   | Push installations should not exceed 6" (152 mm) for REGULAR ARM and 9-3/4" (248 mm) for LONG ARM   |
| <b>Head Frame</b>               | Minimum 2" (51 mm)  |
| <b>Top Rail</b>                 | <ul style="list-style-type: none"> <li>■ Minimum 2" (51 mm)</li> <li>■ Flush ceiling installation requires 5-1/4" (133 mm) minimum</li> </ul>   |
| <b>Opening and Closing Time</b> | <ul style="list-style-type: none"> <li>■ Variable by adjustments to the electronic control module located on the operator assembly</li> <li>■ Maximum hold open time adjustable up to approximately 32 seconds</li> </ul> |
| <b>System Diagram</b>           | See "AUTOMATIC OPERATORS" section pages 54 for typical system wiring and page 55 for electrical data  |
| <b>Maximum Opening</b>          | Template allows 90 degree power opening and 90 degree manual opening  |

**Notes:**

- Determined by wiring
- Push N' Go permits non-switch activation with a microprocessor control box that ensures reliability and maintains customer settings
- Power boost allows for increased closing force near latch
- All potentiometers clearly labeled with their functions
- LED lights indicate power to control box and motor gearbox

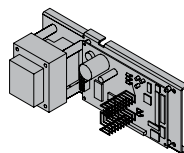
### Motor Gearbox



**9150-3454S**  
Motor Gearbox Assembly

- Driving mechanism for operator (switch included)

### Control Box



**9150-3462**  
Control Box (120v)

- Electronic controlling device with power supply output and power boost feature for Benchmark

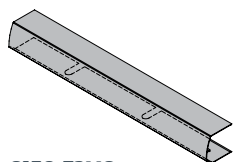
### Brackets



**9150-3018**  
Mounting Bracket

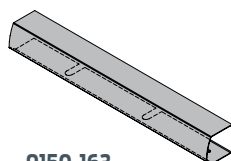
- Standard

### Covers



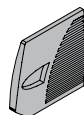
**9150-72MC**  
Metal Cover

- Non-handed
- 72"
- Extruded aluminum cover
- Standard



**9150-163**  
Cover Insert

- Used to cover operator shaft opening (includes 2 pieces)



**9150-163-1**  
Cover End Cap Insert

- Used to cover switch hole opening



**9150-334**  
Cover End Cap

- Black plastic
- Includes 9130-163-1 cover and cap insert

### Arms



**9150-3077**  
Regular arm

- Non-handed



**9150-3077L**  
Long arm

- Non-handed



**9150-79**  
Rod and shoe

- For use with regular arm



**9150-79LR**  
Long rod and shoe

- Used with long arm, for deep reveals

### How-to-order 9150 Series closers

#### Specify Finish

- Standard Anodized Finish \_\_\_\_\_  
Aluminum or Dark Bronze

#### Operator options

##### Arm

- Long Arm (3077L) (Reveals 6" to 9-3/4")

#### Operator will be shipped with:

- Standard motor gearbox (2 ea)
  - Standard control box (2 ea)
  - Mounting bracket (2 ea)
  - 72" metal cover
  - Standard arm (2 ea)
  - Wood and machine screw pack
- unless options listed below are selected

#### Table of sizes

##### Notes:

- For 9150 Benchmark Series
- 72" door width only for full length push double door operator.

### Digital Control Suite

Provides exceptionally precise control of a large range of built-in functions combined with superior durability and performance. Visual indications and digital readouts of all control function settings and activity make adjustments easy, fast and accurate.

### Dual Independent Program Memories

Each unit is pre-programmed to factory default settings. The installer can adjust the unit to meet the job site requirements. These field settings are locked into the computer's memory. Any subsequent field adjustments replace the original field adjustments. The factory settings are always retained in memory and can be recalled to replace the field settings in just seconds, restoring the unit to its original programming.

### On-Board Diagnostics

Sophisticated built-in diagnostics program monitors the system microprocessor, power supplies, drive systems, actuators and safety circuits. Reduces the time required to make sure the installation is complete and correct.

### On-Board Power Supply

Provides 24V AC output or 24V DC output with rectifier to power card readers, manual actuators and other peripherals.

### Plug and Play Sensors

Motion sensors and safety sensors feature a "plug and play" concept allowing fast and accurate wiring connections in only seconds.

### Electronic Circuit Protection

High voltage (primary AC input) is protected by replaceable fuse. Low voltage (secondary AC output) is protected by self-resetting fuses.

### Visual Function Indicators

LED Display allows direct observation of these inputs while in visual function indicator mode:

- Key switch- set to Auto, OFF or HOLD
- Activate
- DMSS approach
- DMSS safety
- Bodyguard
- Power Boost Disable

### Programming Mode

Allows tailoring the following functions to meet specific site conditions

- Opening Speed
- Backcheck Speed
- Backcheck Position
- Hold Open Delay
- Latch Position
- Auto Reverse - Closing
- Electric Lock Delay
- Power Boost
- Push 'N' Go
- Alternate Action
- Safety Slow/Stop
- Slow Down Disable

### Push 'N Go

Allows pedestrians to walk up to the door and push it open as if it were a manual door. After the door is manually opened approximately 5 degrees, the Push 'N Go feature takes over and continues to open the door – slowly and automatically to the full open position. With Push 'N Go, the door will stay fully open from one to 30 seconds, depending on the time delay chosen.

### Auto Reverse

A safety feature that reverses the direction of the door when it comes into contact with an object during either opening or closing.

### Safety Slow/Stops Function

Once the door starts opening, any person or object entering the swing area will cause the door to go into a safety slow speed. This function can be set to allow for a short stop once a person or object is sensed.

### Power Boost

Adds an additional latching force to ensure secure latching in severe wind or stack conditions. Power Boost is also ideal for overcoming slowing obstacles such as electric strikes. Provides approximately 25 lbs. of total closing force.

### Microprocessor

Control unit allows for quiet efficiency in operation. Combined with the all electromechanical unit, it eliminates unnecessary wear and prolongs the life of the unit.

### Electric Lock Delay

Causes a 1 second delay between activate signal and door opening to allow time for most electric locks to disengage before operator opens door.





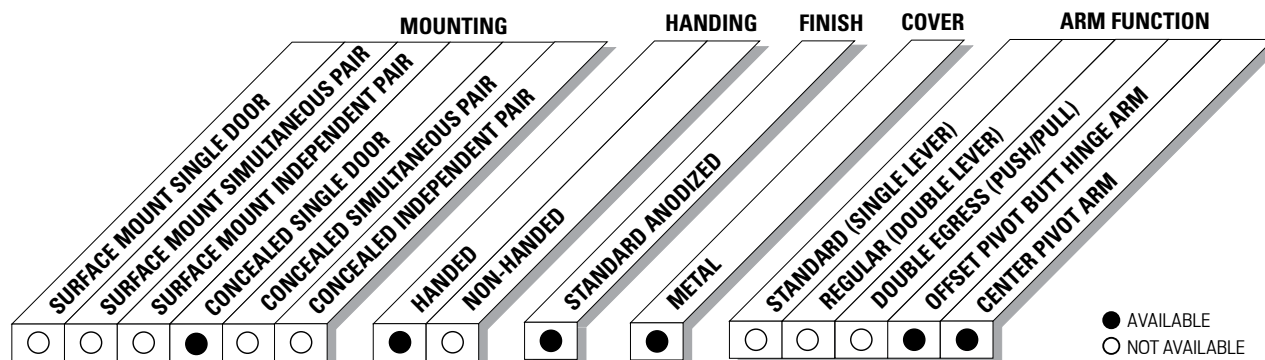


The 2810 SENIOR SWING by LCN is an ADA door operator that is a two-in-one swing door operator. SENIOR SWING operator when activated, opens doors automatically for wheelchair access, yet allows for manual operation for regular pedestrian traffic.

|                       |   |   |   |
|-----------------------|---|---|---|
| <b>Certifications</b> | Grade 1 - ANSI A156.19, UL325, UL1998, ADA, 100 Hour Salt Spray, Meets BAA - Buy American Act                           | <b>Fasteners</b>                        | Wood and machine screws   |
| <b>Handing</b>        | Handed  | <b>Mounting</b>                         | Single door, overhead concealed, center pivot, offset pivot, butt hinge                               |
| <b>Door Width</b>     | Minimum door width 33" - 48" 49" with finger guard.<br><i>Note: Single door width per leaf 33" minimum, 48" maximum</i> | <b>Arms</b>                             | Center Pivot Arm or Offset Pivot Arm  |
| <b>Warranty</b>       | 2 years   | <b>Finishes/Colors/<br/>Powder Coat</b> | <ul style="list-style-type: none"> <li>■ Anodized Aluminum</li> <li>■ Anodized Dark Bronze</li> </ul> |

**Special  
Templates**

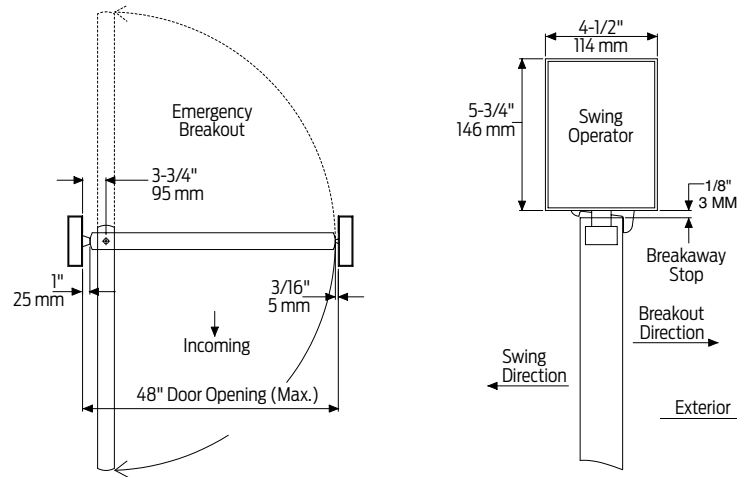
Customized installation templates or products may be available to solve unusual applications. Contact LCN Product Support for assistance.



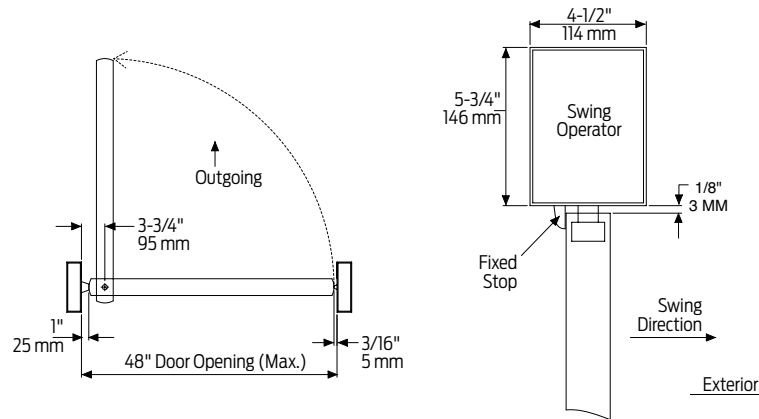
# 2810 Series Senior Swing

## Mounting details

### Concealed Single Door Mounting



**Center pivot, emergency breakaway, pull**  
Shown w/ 3-3/4" pivot and finger guard

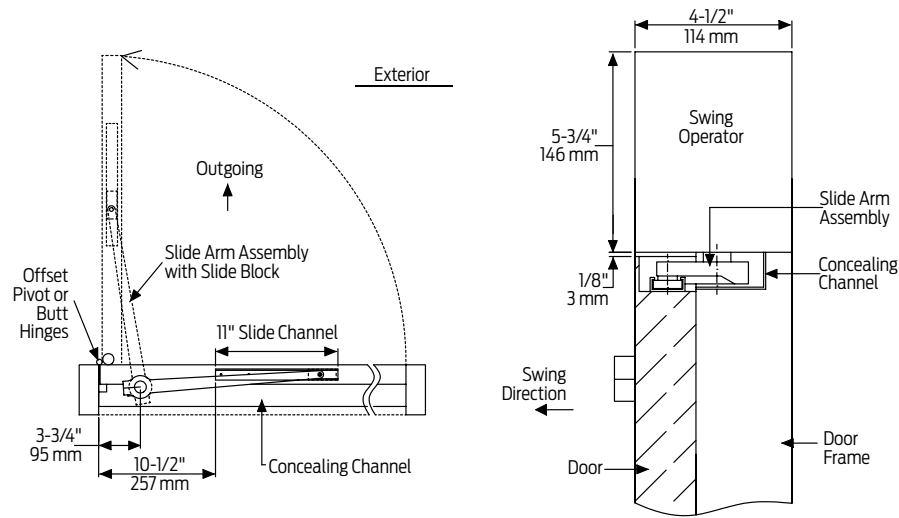


**Center pivot, fixed stop, push**  
Shown w/ 3-3/4" pivot and finger guard

|                                 |   |
|---------------------------------|---|
| <b>Head Frame</b>               | Minimum 36" (L) x 5-3/4" (H) x 4-1/2" (W) (914 mm x 146 mm x 114 mm)  |
| <b>Top Rail</b>                 | Minimum 2" (51 mm)  |
| <b>Opening and Closing Time</b> | <ul style="list-style-type: none"> <li>■ Variable by adjustments to the electronic control box</li> <li>■ Maximum hold open time adjustable up to approximately 32 seconds</li> </ul>                                   |
| <b>Door Stop</b>                | Required for each door panel  |
| <b>System Diagram</b>           | See "AUTOMATIC OPERATORS" section page 51 for typical system wiring and page 53 for electrical data   |
| <b>Maximum Opening</b>          | Template allows 90 degree power opening and 90 degree manual opening <ul style="list-style-type: none"> <li>■ Minimum header length 33" with applied stop by others and 36" with LCN fixed or breakaway stop</li> </ul> |

**Notes:**

- Push N' Go permits non-switch activation
- Power boost provides additional latch forcing for electromechanical unit with microprocessor control
- Double door header available up to 98", specify length 49" to 98" maximum (Consult factory regarding this option)
- Fixed (positive) or breakaway stop available with center pivot arm
- Adjustable hold open time of 1-32 seconds



**Offset pivot or butt hinge, slide arm, push**  
Shown w/ 3-3/4" pivot

|                                 |  |
|---------------------------------|--|
| <b>Head Frame</b>               | Minimum 33" (L) x 5-3/4" (H) x 4-1/2" (W) (838 mm x 146 mm x 114 mm)   |
| <b>Top Rail</b>                 | Minimum 2" (51 mm)   |
| <b>Opening and Closing Time</b> | <ul style="list-style-type: none"> <li>■ Variable by adjustments to the electronic control box</li> <li>■ Maximum hold open time adjustable up to approximately 32 seconds</li> </ul>  |
| <b>Door Stop</b>                | Required for each door panel   |
| <b>System Diagram</b>           | See "AUTOMATIC OPERATORS" section page 51 for typical system wiring and page 53 for electrical data  |
| <b>Maximum Opening</b>          | Template allows 90 degree power opening and 90 degree manual opening <ul style="list-style-type: none"> <li>■ Minimum header length 33"</li> <li>■ Installations require bottom pivot and two intermediate pivots</li> </ul> |

**Notes:**

- Push N' Go permits non-switch activation
- Power boost provides additional latch forcing for electromechanical unit with microprocessor control
- Double door header available up to 98", specify length 49" to 98" maximum (Consult factory regarding this option)
- Fixed (positive) or breakaway stop available with center pivot arm
- Adjustable hold open time of 1-32 seconds

**Motor Gearbox**



**2810-3454  
Motor Gearbox**

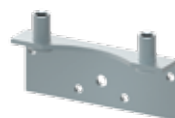
- Senior swing
- Handed
- Driving mechanism for operator
- Provides maximum 15 lbs opening force

**Mount Brackets**



**2810-375  
Mounting Bracket**

- Motor gearbox mounting bracket for 3-3/4" offset pivot, butt hinge or center pivot with finger guard installations
- Front bracket



**2810-275  
Mounting Bracket**

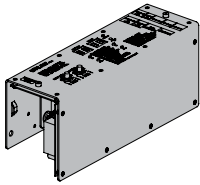
- Motor gearbox mounting bracket for 2-3/4" center pivot installations
- Front bracket



**2810-3018  
Rear Mounting Bracket**

- Motor gearbox mounting bracket
- Rear bracket

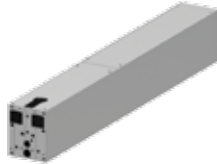
**Control Box**



**2810-3462  
Control Box**

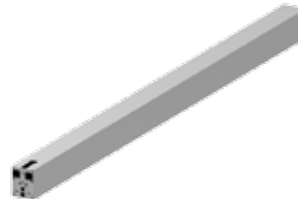
- Senior swing
- Electronic controlling device for Senior Swing

**Headers**



**2810-3572HL  
Header**

- Standard
- Single door, single operator
- Specify length 33" to 49" maximum



**2810-3572DD  
Header**

- Standard
- Double door, single operator
- Specify length 49" to 98" maximum

**End Cap**



**2810-334  
Header End Caps**

- With openings for wiring

**Arms**



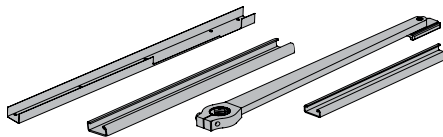
**2810-3077CP  
Center Pivot Arm**

- Center pivot installations only
- Used with overhead concealed operators and center pivoted doors



**2810-3077OP  
Offset Pivot Arm**

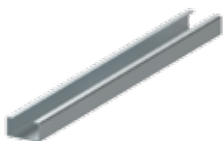
- Offset pivot or butt hung installations only
- Used with overhead concealed operators



**2810-3077 OPCM  
Offset Pivot Arm Assembly**

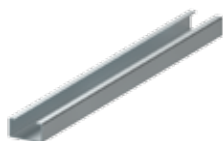
- Offset arm with track and concealing channel (includes 3072 concealing channel, 168 slide channel and 3077OP offset pivot arm)

## Channels



**2810-3072**  
Concealing Channel

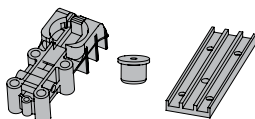
- Used to conceal arm in overhead concealed applications
- For offset pivot installations only
- If ordering separately specify length and hand



**2810-168**  
Slide channel

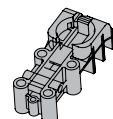
- Offset pivot or butt hinge installations only
- Mounts in top rail of door
- Allows arm to slide

## Pivots



**2810-3107**  
Bottom Pivot Assembly

- Includes pivot body, pivot post and bottom pivot plate
- For overhead concealed, center pivoted installations
- Includes: 2810-107, 2810-110 and 2810-117



**2810-107**  
Bottom Pivot Body

- For center pivoted installations



**2810-110**  
Pivot Post

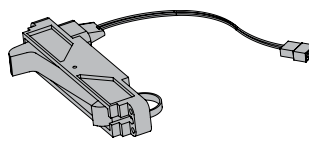
- Connects pivot body to bottom pivot plate for center pivoted installations



**2810-117**  
Bottom Pivot Plate

- Applied to floor for center pivoted installations

## Installation Accessories



**2810-384B**  
Door Stop Breakaway

- Allows in-swinging door to swing out in case of emergency
- Disables operator in breakaway mode.
- For center pivoted installations only



**2810-384F**  
Door Stop Fixed

- Prevents out-swinging door from swinging in
- For center pivoted installations only



**2810-12**  
Filler Plate Blank

- Completes length of header box



**2810-11A**  
Spindle Plate

- Hides bottom of motor gearbox
- Completes header box
- Cutout allows for motor gearbox shaft
- For 2-3/4" center pivot installations



**2810-11B**  
Spindle Plate

- Hides bottom of motor gearbox
- Completes header box
- Cutout allows for motor gearbox shaft
- For 3-3/4" offset pivot, butt hinge or center pivot with finger guard installations

**How-to-order 2810 Series**

**Select installation type**

- 2811

**Specify arm**

- 3-3/4" (Offset pivoted) Arm (3077OP)
- 2-3/4" (Center pivoted) Arm (3077CP)
- 3-3/4" (Center pivoted) Arm (3077CP)

**Specify hand**

- RH
- LH

**Specify header/length**

- HL\_ (Specify length 33" to 49" offset pivot)
- HL\_ (Specify length 36" to 49" center pivot)
- DD\_ (Specify length 49" to 98")

**Specify finish**

- Standard Anodized Finish \_\_\_\_\_  
Aluminum or Dark Bronze

**Operator will be shipped with:**

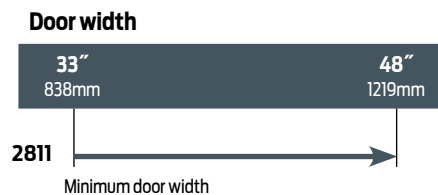
- Motor gearbox,
- Control box,
- Header (at specified length, 36" standard),
- Wood and machine screw pack  
unless options listed below are selected.

**Operator options**

**Stops**

- Positive Mechanical Stop (POS)
- Panic Breakaway Stop (BKY)  
*\*Available with Center Pivoted installations only*

**Table of sizes**



→ Indicates recommended range of door width for operator.

*NOTE: For all Senior Swing Series  
Single Door - Width per leaf 33" minimum, 48" maximum*

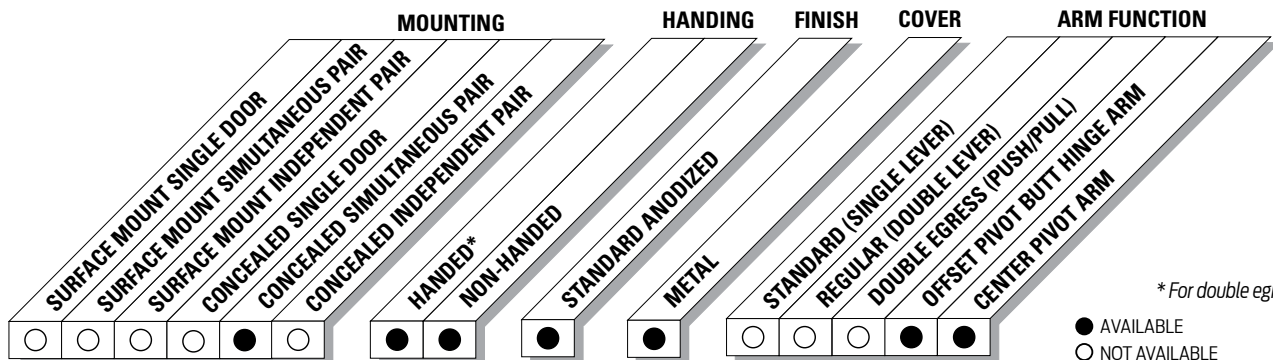


The 2850 SENIOR SWING by LCN is an ADA door operator that is a two-in-one swing door operator. SENIOR SWING operator when activated, opens doors automatically for wheelchair access, yet allows for manual operation for regular pedestrian traffic.

|                       |   |   |   |
|-----------------------|---|---|---|
| <b>Certifications</b> | Grade 1 - ANSI A156.19, UL325, UL1998, ADA, 100 Hour Salt Spray, Meets BAA - Buy American Act   | <b>Fasteners</b>                        | Wood and machine screw pack   |
| <b>Fluid</b>          | All Weather Fluid   | <b>Mounting</b>                         | Double door, overhead concealed, center pivot, offset pivot, butt hinge                               |
| <b>Handing</b>        | Handed  | <b>Arms</b>                             | Offset Pivot Arm or Center Pivot Arm  |
| <b>Door Width</b>     | <ul style="list-style-type: none"> <li>■ Combined width min 52" - 96"</li> <li>■ Simultaneous pair - width per leaf 26" minimum to 48" maximum</li> </ul> | <b>Finishes/Colors/<br/>Powder Coat</b> | <ul style="list-style-type: none"> <li>■ Anodized Aluminum</li> <li>■ Anodized Dark Bronze</li> </ul> |
| <b>Warranty</b>       | 2 years   |   |   |

**Special  
Templates**

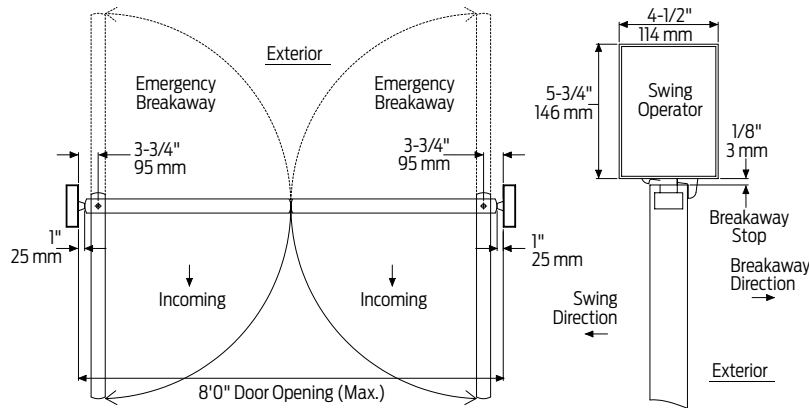
Customized installation templates or products may be available to solve unusual applications. Contact LCN Product Support for assistance.



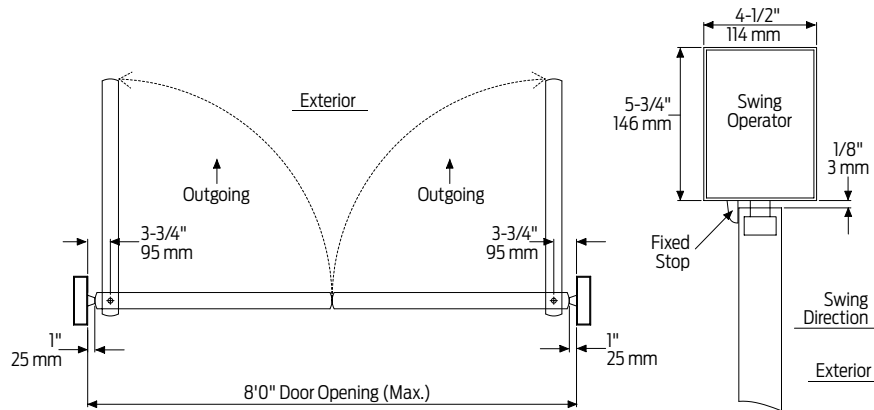
# 2850 Series Senior Swing

Mounting details

Concealed Simultaneous Pair



**Center pivot, emergency breakaway, pull**  
Shown w/ 3-3/4" pivot



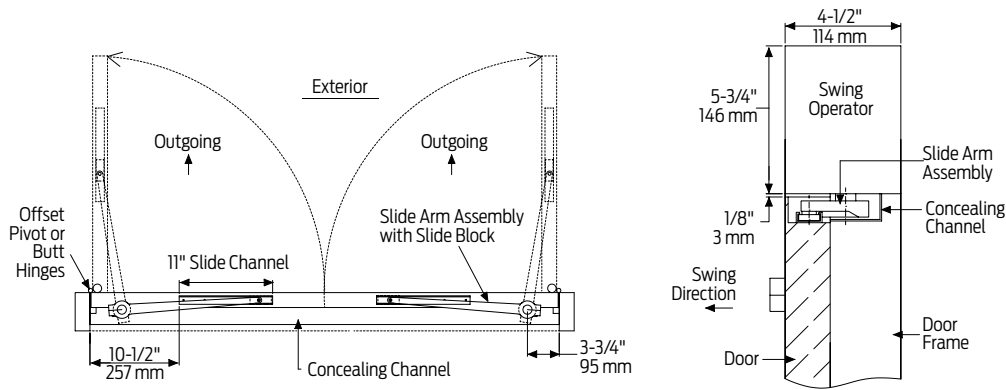
**Center pivot, fixed stop, push**  
Shown w/ 3-3/4" pivot

|                                 |  |
|---------------------------------|--|
| <b>Head Frame</b>               | Minimum 52" (L) x 5-3/4" (H) x 4-1/2" (W) (1524 mm x 146 mm x 114 mm)  |
| <b>Top Rail</b>                 | Minimum 2" (51 mm)   |
| <b>Opening and Closing Time</b> | <ul style="list-style-type: none"> <li>Variable by adjustments to the electronic control box</li> <li>Maximum hold open time adjustable up to approximately 32 seconds.</li> </ul> |
| <b>Door Stop</b>                | Required for each door panel   |
| <b>System Diagram</b>           | See "AUTOMATIC OPERATORS" section page 51 for typical system wiring and page 53 for electrical data  |
| <b>Maximum Opening</b>          | Template allows 90 degree power opening and 90 degree manual opening   |

**Notes:**

- Push N' Go permits non-switch activation with power boost providing additional latching force
- Electromechanical unit with microprocessor control
- 36" header length is standard, specify length 33" - 49" max
- Double header available 98", specify length 49" - 98" max
- Fixed (positive) or breakaway stop available with center pivot arm
- Adjustable hold open time of 1-32 seconds
- Actuators available separately, see pages 115-131





**Offset pivot or butt hinge, slide arm, push**  
Shown w/ 3-3/4" pivot

|                                 |   |
|---------------------------------|---|
| <b>Head Frame</b>               | Minimum 52" (L) x 5-3/4" (H) x 4-1/2" (W) (1524 mm x 146 mm x 114 mm)   |
| <b>Top Rail</b>                 | Minimum 2" (51 mm)  |
| <b>Opening and Closing Time</b> | <ul style="list-style-type: none"> <li>■ Variable by adjustments to the electronic control box</li> <li>■ Maximum hold open time adjustable up to approximately 32 seconds</li> </ul> |
| <b>Door Stop</b>                | Required for each door panel  |
| <b>System Diagram</b>           | See "AUTOMATIC OPERATORS" section page 51 for typical system wiring and page 53 for electrical data   |
| <b>Maximum Opening</b>          | Template allows 90 degree power opening and 90 degree manual opening  |

*Notes:*

- Push N' Go permits non-switch activation with power boost providing additional latching force
- Electromechanical unit with microprocessor control
- 36" header length is standard, specify length 33" - 49" max
- Double header available 98", specify length 49" - 98" max
- Fixed (positive) or breakaway stop available with center pivot arm
- Adjustable hold open time of 1-32 seconds
- Actuators available separately, see pages 115-131

**Motor Gearbox**



**2850-3454  
Motor Gearbox**

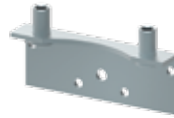
- Senior swing
- Driving mechanism for operator
- Provides maximum 15 lbs opening force
- Handed

**Mount Brackets**



**2850-375  
Mounting Bracket**

- Motor gearbox mounting bracket for 3-3/4" offset pivot, butt hinge or center pivot with finger guard installations
- Front bracket



**2850-275  
Mounting Bracket**

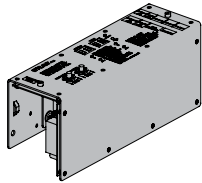
- Motor gearbox mounting bracket for 2-3/4" center pivot installations
- Front bracket



**2850-3018  
Rear Mounting Bracket**

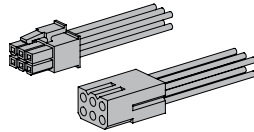
- Motor gearbox mounting bracket
- Rear bracket

**Control Box**



**2850-3462  
Control box**

- Senior swing
- Electronic controlling device for Senior Swing



**2850-982  
Companion Cable**

- Cable that allows one control box to run two motor gearboxes
- For use with Senior Swing

**Header**



**2850-3572HL  
Header**

- Mounting header
- Pair door, two operators
- Specify length 52" to 98" maximum
- Standard

**End Cap**



**2850-334  
Header End Caps**

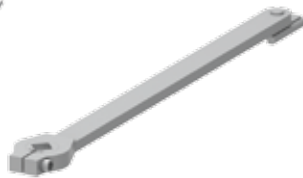
- End cap with openings for wiring

**Arms**



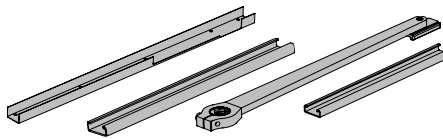
**2850-3077CP  
Center pivot arm**

- Center pivot installations only
- Used with overhead concealed operators and center pivoted doors



**2850-3077OP  
Offset pivot arm**

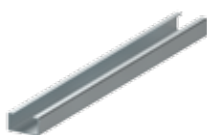
- Offset pivot or butt hung installations only
- Handed
- Used with overhead concealed operators



**2850-3077OPCM  
Offset Pivot Arm Assembly**

- Offset arm with track and concealing channel
- Includes 3072 Concealing Channel, 168 Slide Channel and 3077OP offset pivot arm

## Channels



**2850-3072**  
Concealing Channel

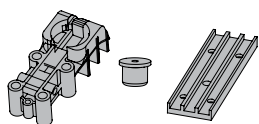
- Used to conceal arm in overhead concealed applications
- For offset pivot installations only
- If ordering separately specify length and hand



**2850-168**  
Slide Channel

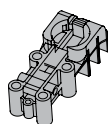
- Offset pivot or butt hinge installations only
- Mounts in top rail of door
- Allows arm to slide

## Pivots



**2850-3107**  
Bottom Pivot Assembly

- Includes pivot body, pivot post and bottom pivot plate
- For overhead concealed, center pivoted installations
- Includes: 2850-107, 2850-110 and 2850-117



**2810-107**  
Bottom Pivot Body

- Pivot body for center pivoted installations



**2850-110**  
Pivot Post

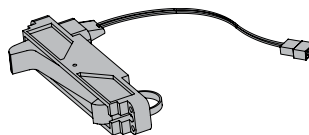
- Connects pivot body to bottom pivot plate for center pivoted installations



**2850-117**  
Bottom Pivot Plate

- Applied to floor for center pivoted installations

## Installation Accessories



**2850-384B**  
Door Stop Breakaway

- Allows in-swinging door to swing out in case of emergency
- For center pivoted installations only



**2850-384F**  
Door Stop Fixed

- Prevents out-swinging door from swinging in
- For center pivoted installations only



**2850-12**  
Filler Plate Blank

- Completes length of header box



**2850-11A**  
Spindle Plate

- Hides bottom of motor gearbox
- Completes header box
- Cutout allows for motor gearbox shaft
- For 2-3/4" center pivot installations



**2850-11B**  
Spindle Plate

- Hides bottom of motor gearbox
- Completes header box
- Cutout allows for motor gearbox shaft
- For 3-3/4" offset pivot, butt hinge or center pivot with finger guard installations

**How-to-order 2850 Series**

**Select installation type**

- 2853

**Specify arm**

- 3-3/4" (Offset pivoted) Arm (3077OP)
- 2-3/4" (Center pivoted) Arm (3077CP)
- 3-3/4" (Center pivoted) Arm (3077CP)

**Specify hand**

- RH
- LH

**Specify header/length**

- HL\_ (Specify length 52" to 98")

**Specify finish**

- Standard Anodized Finish \_\_\_\_\_  
Aluminum or Dark Bronze

**Operator will be shipped with:**

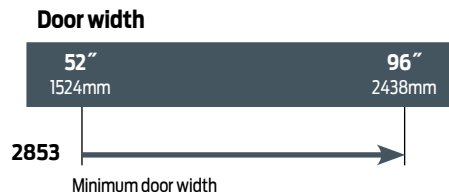
- Standard motor gearbox (1 LH & 1 RH)
- Standard control box
- Companion cable
- Header (at specified length - 72" standard)
- 2-3/4" pivot point
- Wood and machine screw pack  
unless options listed below are selected.

**Operator options**

**Stops\***

- Pair Positive Mechanical Stop (POS)
  - Pair Panic Breakaway Stop (BKY)
- \*Available with Center Pivoted installations only*

**Table of sizes**



→ Indicates recommended range of door width for operator.

*NOTE: For all Senior Swing Series  
Simultaneous Pair – Width per leaf 26" minimum to 48" maximum.*

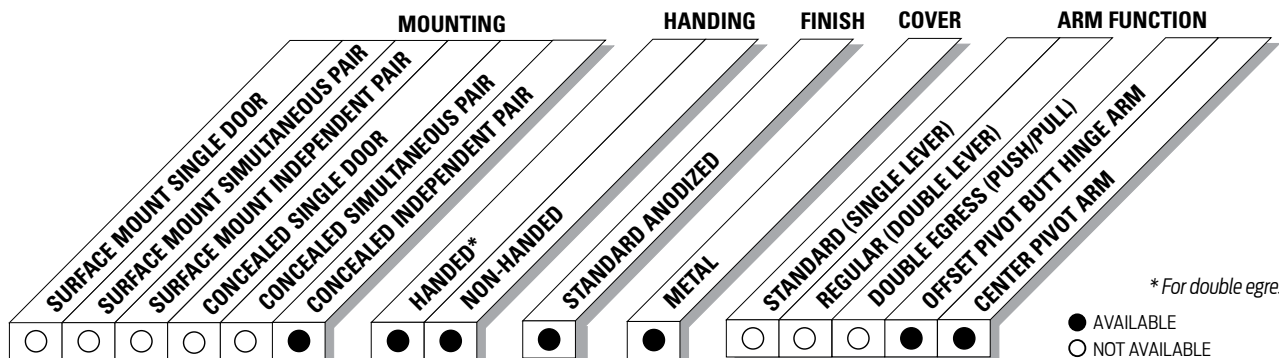


The 2860 SENIOR SWING by LCN is an ADA door operator that is a two-in-one swing door operator. SENIOR SWING operator when activated, opens doors automatically for wheelchair access, yet allows for manual operation for regular pedestrian traffic.

|                       |   |   |   |
|-----------------------|---|---|---|
| <b>Certifications</b> | Grade 1 - ANSI A156.19, UL325/228, UL1998, ADA, 100 Hour Salt Spray, Meets BAA - Buy American Act   | <b>Fasteners</b>                        | Wood and machine screw packs  |
| <b>Handing</b>        | Handed  | <b>Mounting</b>                         | Independent pair, overhead concealed, center pivot, offset pivot, butt hinge                          |
| <b>Door Width</b>     | <ul style="list-style-type: none"> <li>■ Minimum combined door with 52" - 96"</li> <li>■ Simultaneous pair - width per leaf 26" minimum to 48" maximum</li> </ul> | <b>Arms</b>                             | Offset Pivot Arm or Center Pivot Arm  |
| <b>Warranty</b>       | 2 years   | <b>Finishes/Colors/<br/>Powder Coat</b> | <ul style="list-style-type: none"> <li>■ Anodized Aluminum</li> <li>■ Anodized Dark Bronze</li> </ul> |

**Special  
Templates**

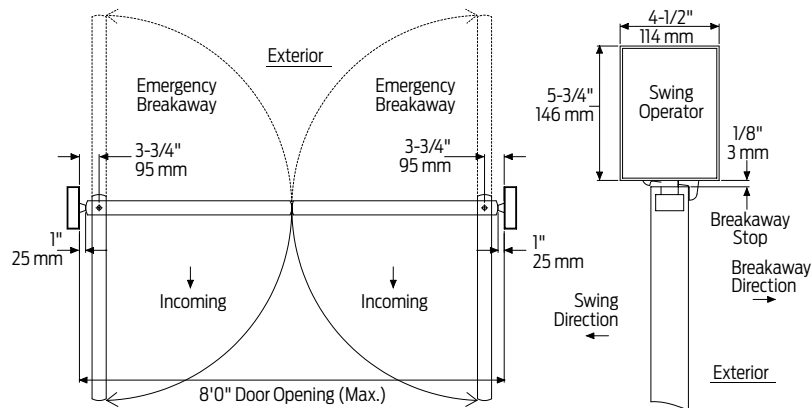
Customized installation templates or products may be available to solve unusual applications. Contact LCN Product Support for assistance.



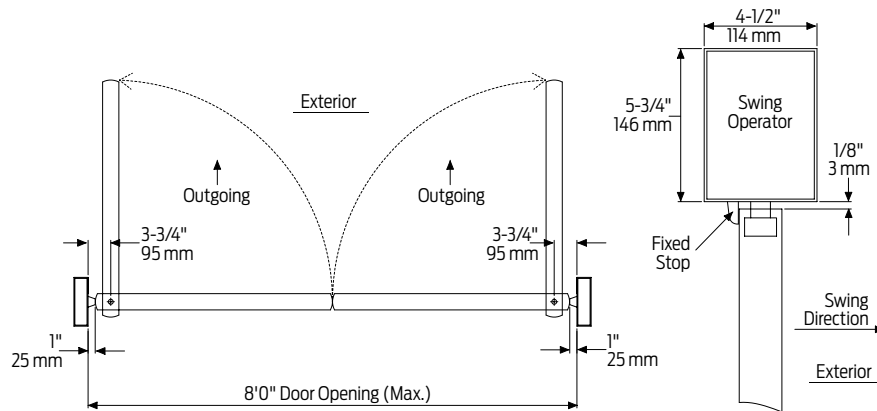
# 2860 Series Senior Swing

## Mounting details

Concealed Independent Pair



**Center pivot, emergency breakaway, pull**  
Shown w/ 3-3/4" pivot

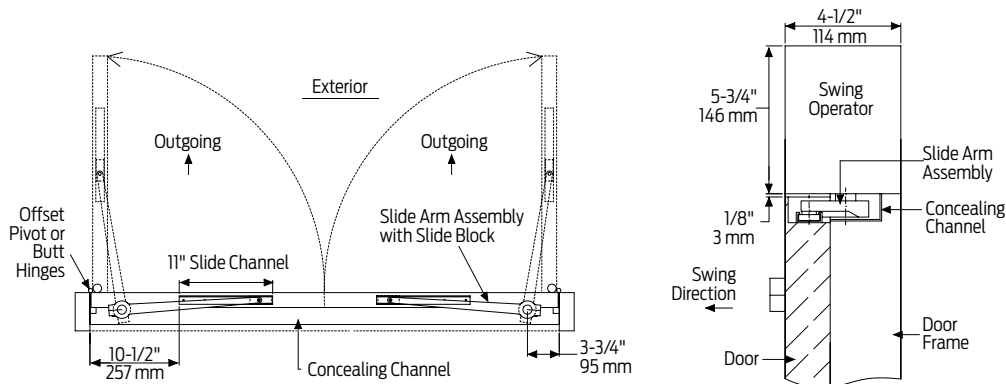


**Center pivot, fixed stop, push**  
Shown w/ 3-3/4" pivot

|                                 |  |
|---------------------------------|--|
| <b>Head Frame</b>               | Minimum 65" (L) x 5 3/4" (H) x 4 1/2" (W) (1651 mm x 146 mm x 114 mm)  |
| <b>Top Rail</b>                 | Minimum 2" (51 mm)   |
| <b>Opening and Closing Time</b> | <ul style="list-style-type: none"> <li>Variable by adjustments to the electronic control box</li> <li>Maximum hold open time adjustable up to approximately 32 seconds.</li> </ul> |
| <b>Door Stop</b>                | Required for each door panel   |
| <b>System Diagram</b>           | See "AUTOMATIC OPERATORS" section page 51 for typical system wiring and page 53 for electrical data  |
| <b>Maximum Opening</b>          | Template allows 90 degree power opening and 90 degree manual opening   |

*Note:*

- Push N' Go permits non-switch activation with power boosts providing additional latching force
- Electromechanical unit with microprocessor control
- Digital keypad for easy setup
- 72" header length is standard. Specify other length 65" - 98" max. Consult factory with this option
- Adjustable hold time of 1-32 seconds
- Actuators available separately, see pages 115-131



**Offset pivot/butt hinge, push**

|                                 |   |
|---------------------------------|---|
| <b>Head Frame</b>               | Minimum 65" (L) x 5-3/4" (H) x 4-1/2" (W) (1651 mm x 146 mm x 114 mm)   |
| <b>Top Rail</b>                 | Minimum 2" (51 mm)  |
| <b>Opening and Closing Time</b> | <ul style="list-style-type: none"> <li>■ Variable by adjustments to the electronic control box</li> <li>■ Maximum hold open time adjustable up to approximately 32 seconds</li> </ul> |
| <b>Door Stop</b>                | Required for each door panel  |
| <b>System Diagram</b>           | See "AUTOMATIC OPERATORS" section page 51 for typical system wiring and page 53 for electrical data   |
| <b>Maximum Opening</b>          | Template allows 90 degree power opening and 90 degree manual opening  |

*Notes:*

- Offset pivot installations require a bottom pivot and two intermediate pivots
- Push N' Go permits non-switch activation with power boosts providing additional latching force
- Electromechanical unit with microprocessor control
- Digital keypad for easy setup
- 72" header length is standard. Specify other length 65" - 98" max. Consult factory with this option
- Optional fixed (POS) or breakaway stop (BKY) available (center pivot arm)
- Header lengths 70" - 98" max with either POS or BKY
- Adjustable hold time of 1-32 seconds
- Actuators available separately, see pages 115-131

**Motor Gearbox**



**2860-3454**  
Motor gearbox

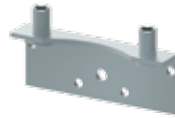
- Senior swing
- Handed
- Driving mechanism for operator
- Provides maximum 15 lbs opening force

**Mount Brackets**



**2860-375**  
Mounting Bracket

- Motor gearbox mounting bracket for 3-3/4" offset pivot, butt hinge or center pivot with finger guard installations
- Front bracket



**2860-275**  
Mounting Bracket

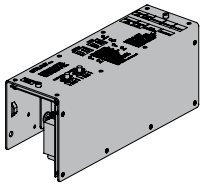
- Motor gearbox mounting bracket for 2-3/4" center pivot installations
- Front bracket



**2860-3018**  
Rear Mounting Bracket

- Motor gearbox mounting bracket
- Rear bracket

**Control Box**



**2860-3462**  
Control box

- Electronic controlling device for Senior Swing

**Header**



**2860-3572HL**  
Mounting Header

- Pair door, two operators
- Specify length 65" to 98" maximum
- Standard

**End Cap**



**2860-334**  
Header End Caps

- With openings for wiring

**Arms**



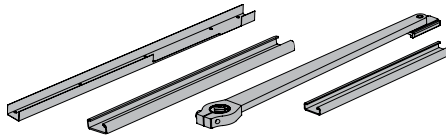
**2860-3077CP**  
Center Pivot Arm

- Center pivot installations only
- Used with overhead concealed operators and center pivoted doors



**2860-3077OP**  
Offset Pivot Arm

- Offset pivot or butt hung installations only
- Used with overhead concealed operators



**2860-3077OPCM**  
Offset Pivot Arm Assembly

- Offset arm with track and concealing channel
- Includes 3072 Concealing Channel, 168 Slide Channel and 3077OP offset pivot arm



### Channels



**2860-3072**  
Concealing Channel

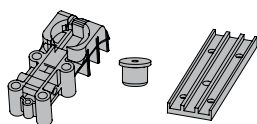
- Used to conceal arm in overhead concealed applications
- For offset pivot installations only
- If ordering separately specify length and hand



**2860-168**  
Slide Channel

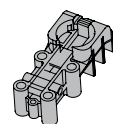
- Offset pivot or butt hinge installations only
- Mounts in top rail of door
- Allows arm to slide

### Pivots



**2860-3107**  
Bottom Pivot Assembly

- Includes pivot body, pivot post and bottom pivot plate
- For overhead concealed, center pivoted installations
- Includes: 2860-107, 2860-110 and 2860-117



**2860-107**  
Bottom Pivot Body

- Pivot body for center pivoted installations



**2860-110**  
Pivot Post

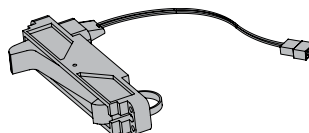
- Connects pivot body to bottom pivot plate for center pivoted installations



**2860-117**  
Bottom Pivot Plate

- Applied to floor for center pivoted installations

### Installation Accessories



**2860-384B**  
Door Stop Breakaway

- Allows in-swinging door to swing out in case of emergency
- For center pivoted installations only



**2860-384F**  
Door Stop Fixed

- Prevents out-swinging door from swinging in
- For center pivoted installations only



**2860-12**  
Filler Plate Blank

- Completes length of header box



**2860-11A**  
Spindle Plate

- Hides bottom of motor gearbox
- Completes header box
- Cutout allows for motor gearbox shaft
- For 2-3/4" center pivot installations



**2860-11B**  
Spindle Plate

- Hides bottom of motor gearbox
- Completes header box
- Cutout allows for motor gearbox shaft
- For 3-3/4" offset pivot, butt hinge or center pivot with finger guard installations

# 2860 Series Senior Swing

## Ordering Information

### How-to-order 2860 Series

#### Select installation type

- 2863

#### Specify arm

- 3-3/4" (Offset pivoted) Arm (3077OP)
- 2-3/4" (Center pivoted) Arm (3077CP)
- 3-3/4" (Center pivoted) Arm (3077CP)

#### Specify hand

- RH
- LH

#### Specify header/length

- HL\_ (Specify length 65" to 98")

#### Specify finish

- Standard Anodized Finish \_\_\_\_\_  
Aluminum or Dark Bronze

#### Operator will be shipped with:

- Standard motor gearbox (1 LH & 1 RH)
- Standard control box (2 ea)
- Header (at specified length - 72" standard)
- 2-3/4" pivot point
- Wood and machine screw pack  
unless options listed below are selected.

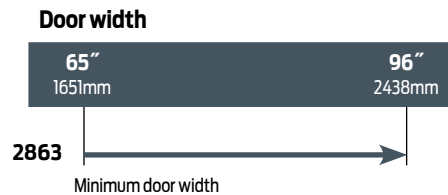
### Operator options


#### Stops\*

- Pair Positive Mechanical Stop (POS)
- Pair Panic Breakaway Stop (BKY)

\*Available with Center Pivoted installations only

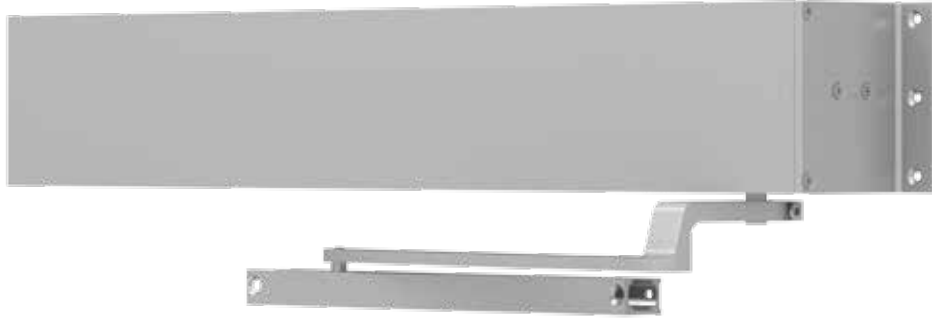
### Table of sizes



 Indicates recommended range of door width for operator.

NOTE: For all Senior Swing Series

Independent Pair – Width per leaf 32-1/2" minimum to 48" maximum

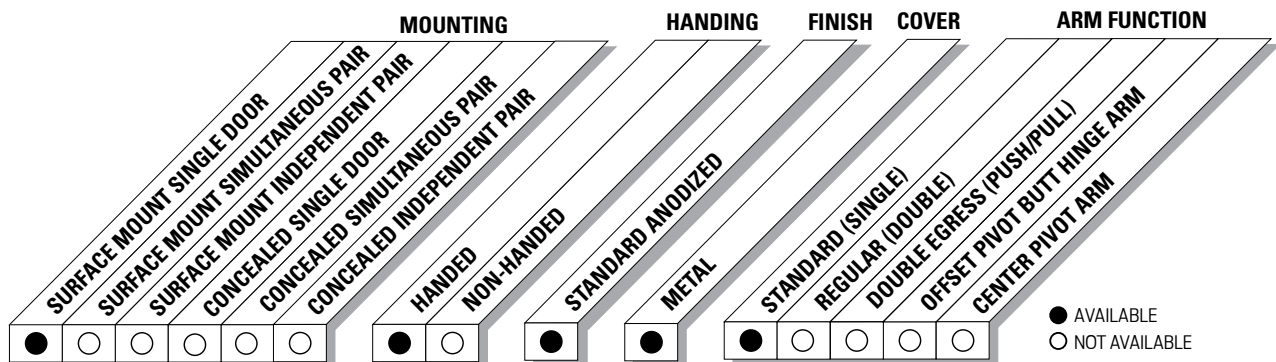


The 9530 SENIOR SWING by LCN is an ADA door operator that is a two-in-one swing door operator. SENIOR SWING operators when activated, opens doors automatically for wheelchair access, yet allows for manual operation for regular pedestrian traffic.

|                       |  |   |   |
|-----------------------|--|---|---|
| <b>Certifications</b> | Grade 1 - ANSI A156.19, UL325/228, UL1998, ADA, 100 Hour Salt Spray, Meets BAA - Buy American Act                                      | <b>Fasteners</b>                        | Machine screw pack  |
| <b>Fluid</b>          | All Weather Fluid  | <b>Mounting</b>                         | Single door, surface mount, offset pivot. butt hinge, pull side                                       |
| <b>Handing</b>        | Handed   | <b>Arms</b>                             | Standard arm (3077T)  |
| <b>Door Width</b>     | <ul style="list-style-type: none"> <li>■ Minimum 33" - 48"</li> <li>■ Single door - width per leaf 33" minimum, 48" maximum</li> </ul> | <b>Finishes/Colors/<br/>Powder Coat</b> | <ul style="list-style-type: none"> <li>■ Anodized Aluminum</li> <li>■ Anodized Dark Bronze</li> </ul> |
| <b>Warranty</b>       | 2 years  |   |   |

**Special  
Templates**

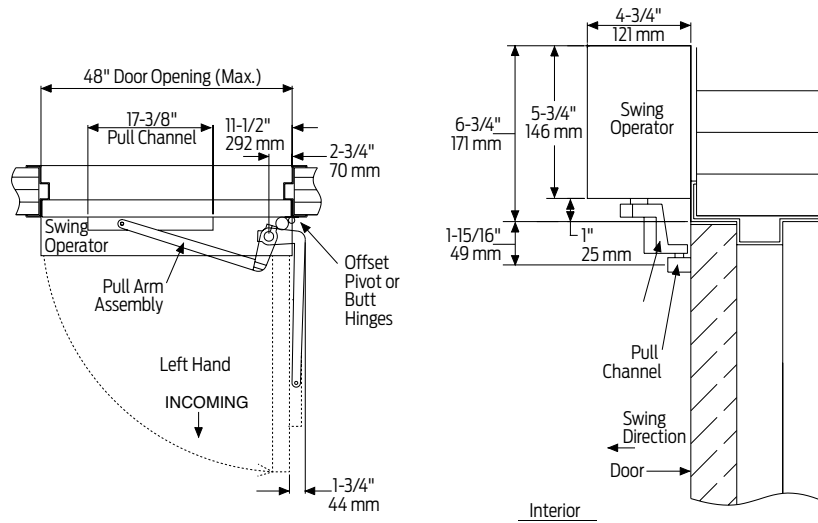
Customized installation templates or products may be available to solve unusual applications. Contact LCN Product Support for assistance.



# 9530 Series Senior Swing

## Mounting details

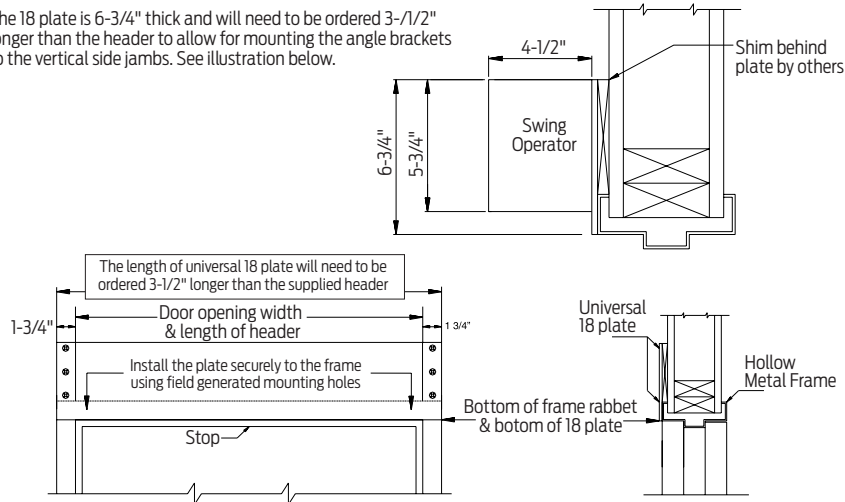
### Top Jamb Single Door Mounting



### Offset pivot/butt hinge, center pivot, pull

NOTE: Cannot be used with swing clear hinges, pocket pivots or balanced doors.

The 18 plate is 6-3/4" thick and will need to be ordered 3-1/2" longer than the header to allow for mounting the angle brackets to the vertical side jambs. See illustration below.



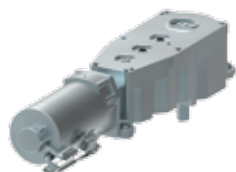
### Hollow metal frame Suggested Installation.

|                                 |   |
|---------------------------------|---|
| <b>Butt Hinges</b>              | Should not exceed 5" (127 mm) in width  |
| <b>Reveal</b>                   | Should not exceed 4" (102 mm)   |
| <b>Head Frame</b>               | Minimum 1-3/4" (44 mm). Face frame 6-3/4" (171 mm) total operator clearance   |
| <b>Top Rail</b>                 | Minimum 2-3/4" (70 mm)  |
| <b>Opening and Closing Time</b> | <ul style="list-style-type: none"> <li>Variable by adjustments to the electronic control box</li> <li>Maximum hold open time adjustable up to approximately 32 seconds</li> </ul> |
| <b>System Diagram</b>           | See "AUTOMATIC OPERATORS" section page 51 for typical system wiring and page 53 for electrical data   |
| <b>Maximum Opening</b>          | Template allows 90 degree power opening and 90 degree manual opening  |

#### Notes:

- Push N' Go permits non-switch activation with a power boost providing additional latching force
- Electromechanical unit with microprocessor control
- Digital keypad for easy setup
- 36" header length is standard. Specify 33" - 48" max
- Double door header available up to 98", specify other length 49" - 98" max
- Consult factory regarding this option
- Adjustable hold open period of 2 - 32 seconds in automatic or manual mode
- Actuators available separately, see pages 115-131

**Motor Gearbox**



**9530-3454  
Motor Gearbox**

- Senior swing
- Handed
- Driving mechanism for operator
- Provides maximum 15 lbs opening force

**Mount Brackets**



**9530-275  
Mounting Bracket**

- Motor gearbox mounting bracket for 2-3/4" offset pivot or butt hinge installations
- Front bracket



**9530-3018  
Rear Mounting Bracket**

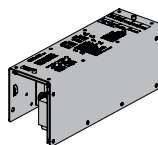
- Motor gearbox mounting bracket
- Rear bracket



**9530-334-1  
Angled Bracket**

- Mounting bracket for surface applications (includes 2 mounting brackets)

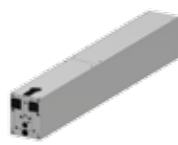
**Control Box**



**9530-3462  
Control Box**

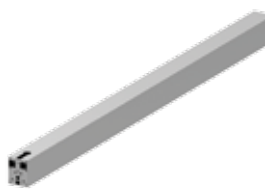
- Electronic controlling device for Senior Swing

**Headers**



**9530-3572HL  
Header**

- Standard
- Single door, single operator
- Specify length 33" to 48" maximum



**9530-3572DD  
Header**

- Standard
- Double door, single operator
- Specify length 49" to 98" maximum

**End Caps**



**9530-334  
Header End Caps**

- With openings for wiring



**9530-334-2  
End Dress Plate**

- Metal finish end cap

## Arms



**9530-3077PLCM**  
Standard Arm Assembly

- Handed
- Track roller included (includes 3038, 3077T, 3034 & 73)



**9530-3077T**  
Standard Arm

- Handed
- Track roller not included

## Tracks



**9530-3038**  
Track

- Non-handed
- Includes 3034 & 73



**9530-73**  
Track End Cap

- Black plastic end caps



**9530-3034**  
Roller

- Quiet low friction roller assembly

## Installation Assembly



**9530-11A**  
Spindle Plate

- Hides bottom of motor gearbox
- Completes header box
- Cutout allows for motor gearbox shaft
- For 2-3/4" offset pivot or butt hinge installations



**9530-12**  
Filler

- Plate blank
- Completes length of header box (specify Length)



**9530-18**  
Mounting Plate

- Optional mounting plate for standard hollow metal door frames
- Specify length 36-1/2" to 101-1/2" maximum, when angle brackets
- Specify length 33" to 98" maximum when using end dress plates

*NOTE: The length of a universal 18 plate will need to be ordered 3-1/2" longer than the supplied header when using angle brackets*

**How-to-order 9530 Series closers**

**Specify hand**

- RH
- LH

**Specify header/length**

- HL\_\_ (Specify length 33" to 48")
- DD\_\_ (Specify length 49" to 98")

**Specify finish**

- Standard Anodized Finish \_\_\_\_\_  
Aluminum or Dark Bronze

**Operator will be shipped with:**

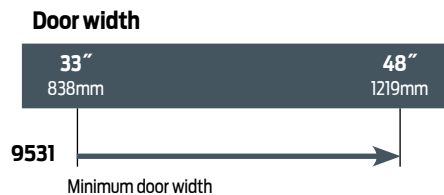
- Standard motor gearbox
  - Standard control box
  - Header (at specified length, 36" standard)
  - Standard arm (3077T)
  - 2-3/4" pivot point
  - Standard track w/track roller
  - Machine screw pack
- unless options listed below are selected

**Operator options**

**Mounting plate**

- Plate, \_\_\_ (Specify Length 33" to 101-1/2")

**Table of sizes**

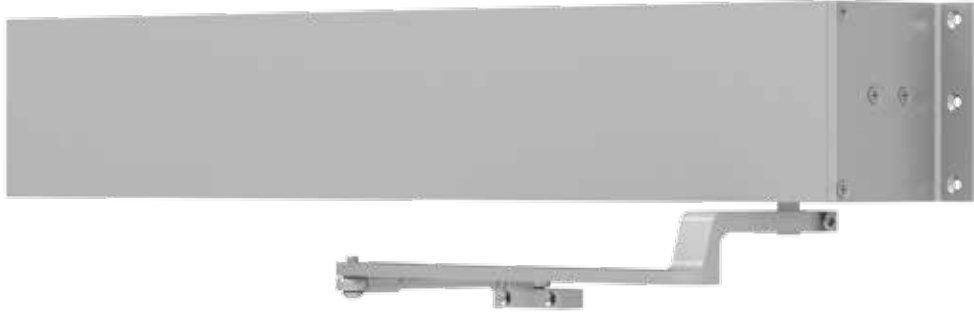


→ Indicates recommended range of door width for operator.

*NOTE: For all Senior Swing Series.  
Single Door - Width per leaf 33" minimum, 48" maximum.*





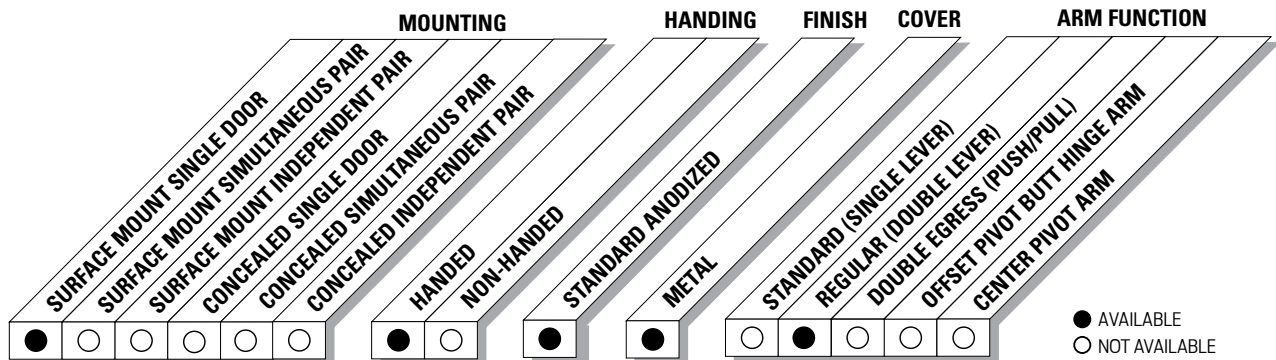


The 9540 SENIOR SWING by LCN is an ADA door operator that is a two-in-one swing door operator. SENIOR SWING operators when activated, opens doors automatically for wheelchair access, yet allows for manual operation for regular pedestrian traffic.

|                       |   |   |   |
|-----------------------|---|---|---|
| <b>Certifications</b> | Grade 1 - ANSI A156.19, UL325/228, UL1998, ADA, 100 Hour Salt Spray, Meets BAA - Buy American Act   | <b>Fasteners</b>                        | Machine screw pack  |
| <b>Fluid</b>          | All Weather Fluid   | <b>Mounting</b>                         | Single door, surface mount, offset pivot, butt hinge (Push Side)                                      |
| <b>Handing</b>        | Handed  | <b>Arms</b>                             | Regular Arm (3077)  |
| <b>Door Width</b>     | <ul style="list-style-type: none"> <li>■ Minimum door width 33" - 48"</li> <li>■ Single door - width per leaf 33" minimum, 48" maximum</li> </ul> | <b>Finishes/Colors/<br/>Powder Coat</b> | <ul style="list-style-type: none"> <li>■ Anodized Aluminum</li> <li>■ Anodized Dark Bronze</li> </ul> |
| <b>Warranty</b>       | 2 years   |   |   |

**Special  
Templates**

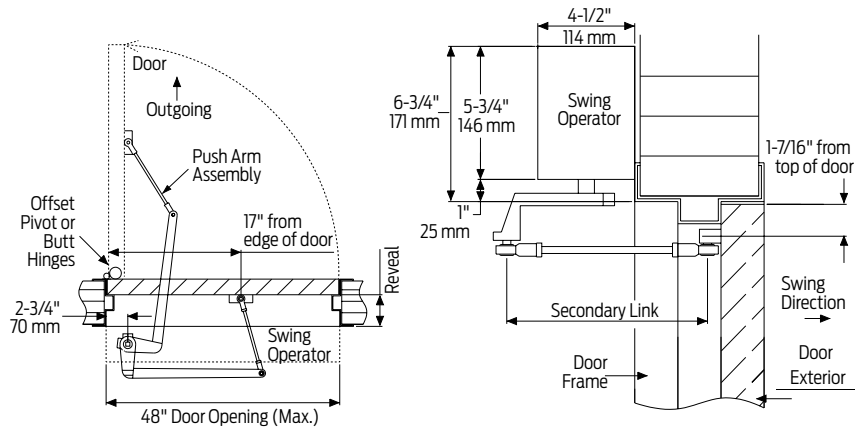
Customized installation templates or products may be available to solve unusual applications. Contact LCN Product Support for assistance.



# 9540 Series Senior Swing

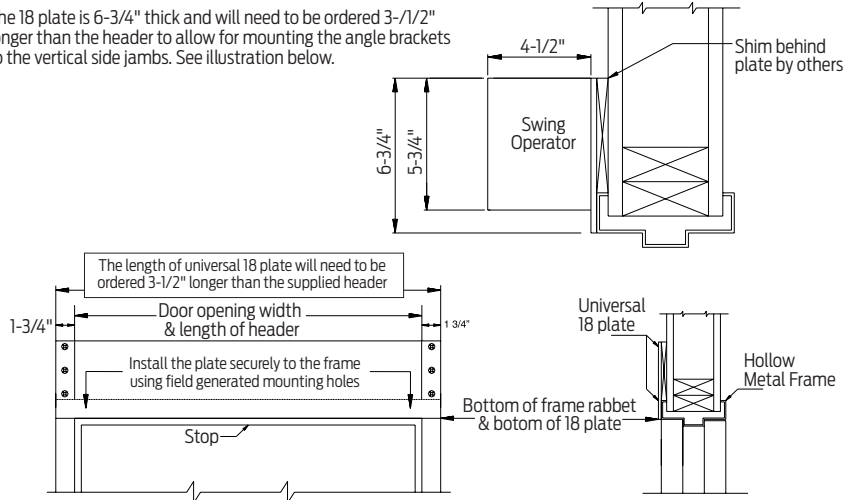
## Mounting details

### Top Jamb Single Door Mounting



**Offset pivot/butt hinge, center pivot, push**  
Consult factory for all balance door installations.

The 18 plate is 6-3/4" thick and will need to be ordered 3-1/2" longer than the header to allow for mounting the angle brackets to the vertical side jambs. See illustration below.



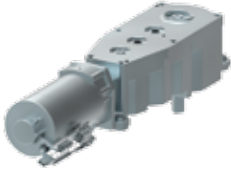
**Hollow metal frame**  
Suggested Installation.

|                                 |   |
|---------------------------------|---|
| <b>Butt Hinges</b>              | Should not exceed 5" (127 mm) in width  |
| <b>Reveal</b>                   | push installations should not exceed 10" (254 mm) for REGULAR ARM and 20" (508 mm) for LONG ARM   |
| <b>Head Frame</b>               | Minimum 1-3/4" (44 mm). Face frame 6-3/4" (171 mm) total operator clearance   |
| <b>Top Rail</b>                 | Minimum 2-3/4" (70 mm)  |
| <b>Opening and Closing Time</b> | <ul style="list-style-type: none"> <li>■ Variable by adjustments to the electronic control box</li> <li>■ Maximum hold open time adjustable up to approximately 32 seconds</li> </ul> |
| <b>System Diagram</b>           | See "AUTOMATIC OPERATORS" section page 51 for typical system wiring and page 53 for electrical data   |
| <b>Maximum Opening</b>          | Template allows 90 degree power opening and 90 degree manual opening  |

**Notes:**

- Push N' Go permits non-switch activation with a power boost providing additional latching force
- Electromechanical unit with microprocessor control
- Digital keypad for easy setup
- 36" header length is standard. Specify 33" - 48" max
- Double door header available up to 98", specify other length 49" - 98" max
- Adjustable hold open period of 2 - 32 seconds in automatic or manual mode
- Actuators available separately, see pages 115-131

**Motor Gearbox**



**9540-3454  
Motor Gearbox**

- Senior swing
- Handed
- Driving mechanism for operator
- Provides maximum 15 lbs opening force

**Mount Brackets**



**9540-275  
Mounting Bracket**

- Motor gearbox mounting bracket for 2-3/4" offset pivot or butt hinge installations
- Front bracket



**9540-3018  
Rear Mounting Bracket**

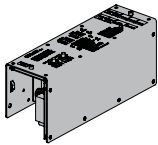
- Motor gearbox mounting bracket
- Rear bracket



**9540-334-1  
Angled Bracket**

- Mounting bracket for surface applications (includes 2 mounting brackets)

**Control Box**



**9540-3462  
Control Box**

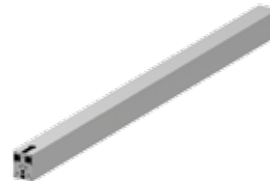
- Electronic controlling device for Senior Swing

**Headers**



**9540-3572HL  
Header**

- Single door, single operator
- Specify length 33" to 48" maximum
- Standard



**9540-3572DD  
Header**

- Double door, single operator
- Specify length 49" to 98" maximum
- Standard

**End Caps**



**9540-334  
Header End Caps**

- With openings for wiring



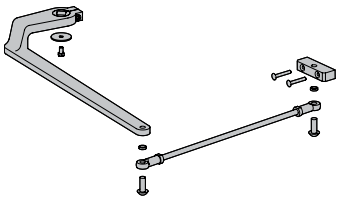
**9540-334-2  
End Dress Plate**

- Metal finish end cap

# 9540 Series Senior Swing

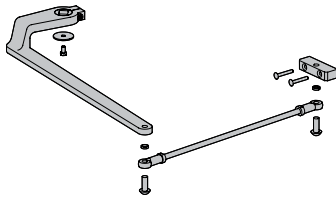
## Accessories

### Arms



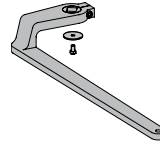
#### 9540-3077 Regular Arm Assembly

- Handed
- Includes 77 main arm assembly and 79 linkage assembly



#### 9540-3077L Regular Long Arm Assembly

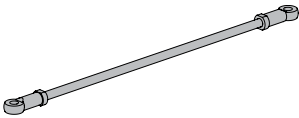
- Handed
- Includes 77 main arm assembly and 79LR linkage assembly



#### 9540-77 Main Arm

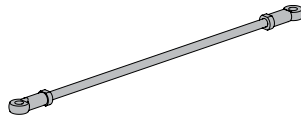
- Handed
- Attaches to motor gearbox

### Tracks



#### 9540-79 Linkage Assembly - 15"

- Threaded rod attaches to door
- Extends from main arm



#### 9540-79LR Linkage Assembly - 32"

- Threaded long rod attaches to door
- Extends from main arm.
- Used for reveal 10" to 20"

### Installation Accessories



#### 9540-11A Spindle Plate

- Hides bottom of motor gearbox
- Completes header box
- Cutout allows for motor gearbox shaft
- For 2-3/4" offset pivot or butt hinge installations



#### 9540-12 Filler Plate Blank

- Completes length of header box (specify length)



#### 9540-18 Mounting Plate

- For standard hollow metal door frames
- Specify length 55-1/2" to 101-1/2" maximum when using angle brackets
- Specify length 52" to 98" maximum when using dress plates
- Optional

*NOTE: The length of a universal 18 plate will need to be ordered 3-1/2" longer than the supplied header when using angle brackets.*

**How-to-order 9540 Series closers**

**Specify hand**

- RH
- LH

**Specify header/length**

- HL\_\_ (Specify length 33" to 48")
- DD\_\_ (Specify length 49" to 98")

**Specify finish**

- Standard Anodized Finish \_\_\_\_\_  
Aluminum or Dark Bronze

**Operator will be shipped with:**

- Standard motor gearbox
- Standard control box
- Header (at specified length, 36" standard)
- Regular arm (3077)
- 2-3/4" pivot point
- Machine screw pack  
unless options listed below are selected.

**Operator options**

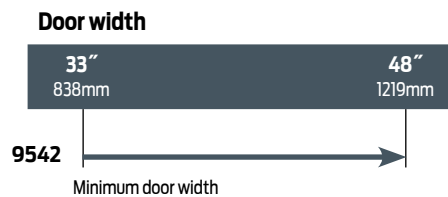
**Mounting plate**

- Plate, \_\_ (Specify Length 33" to 101-1/2")

**Arm**

- Long Arm (3077L)

**Table of sizes**



→ Indicates recommended range of door width for operator.

*NOTE: For all Senior Swing Series.  
Single Door - Width per leaf 33" minimum, 48" maximum.*



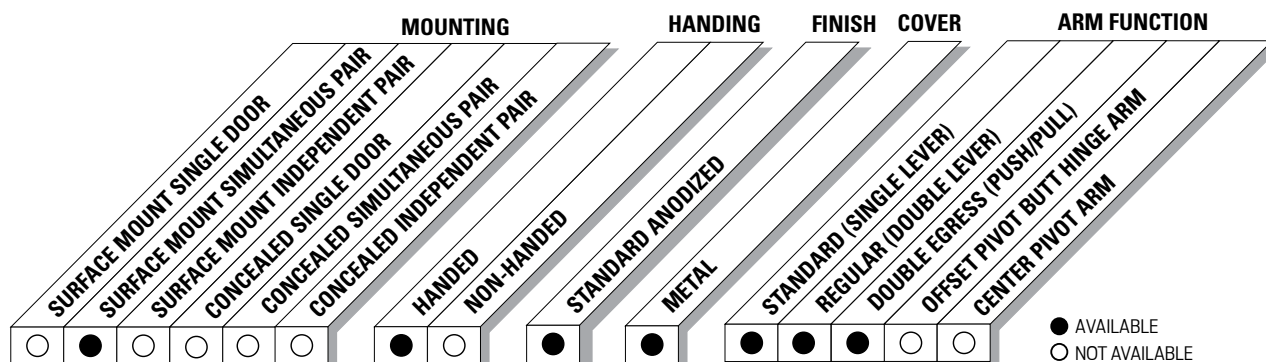


The 9550 SENIOR SWING by LCN is an ADA door operator that is a two-in-one swing door operator. SENIOR SWING operators when activated, opens doors automatically for wheelchair access, yet allows for manual operation for regular pedestrian traffic.

|                       |   |   |   |
|-----------------------|---|---|---|
| <b>Certifications</b> | Grade 1 - ANSI A156.19, UL325/228, UL1998, ADA, 100 Hour Salt Spray, Meets BAA - Buy American Act   | <b>Fasteners</b>                        | Machine screw pack  |
| <b>Handing</b>        | Handed  | <b>Mounting</b>                         | Simultaneous pair, surface mount, pull side, push side, double egress   |
| <b>Door Width</b>     | <ul style="list-style-type: none"> <li>■ Minimum combined door width 52" - 98" (push)</li> <li>■ Minimum combined door width 60" - 98" (pull; double egress)</li> <li>■ Simultaneous pair - width per leaf 30" minimum - 48" maximum</li> </ul> | <b>Arms</b>                             | <ul style="list-style-type: none"> <li>■ 2 Regular Arms (push)</li> <li>■ 2 Standard Arms (pull)</li> <li>■ 1 Regular and 1 Standard (double egress)</li> </ul> |
| <b>Warranty</b>       | 2 years   | <b>Finishes/Colors/<br/>Powder Coat</b> | <ul style="list-style-type: none"> <li>■ Anodized Aluminum</li> <li>■ Anodized Dark Bronze</li> </ul>   |

**Special  
Templates**

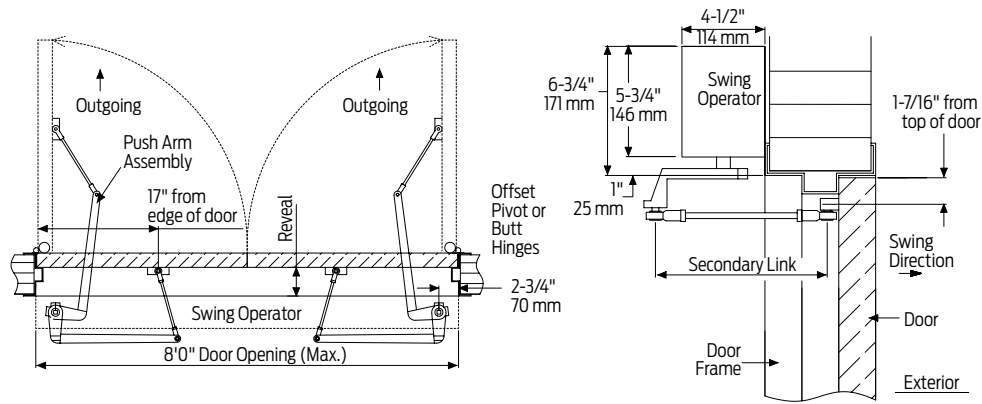
Customized installation templates or products may be available to solve unusual applications. Contact LCN Product Support for assistance.



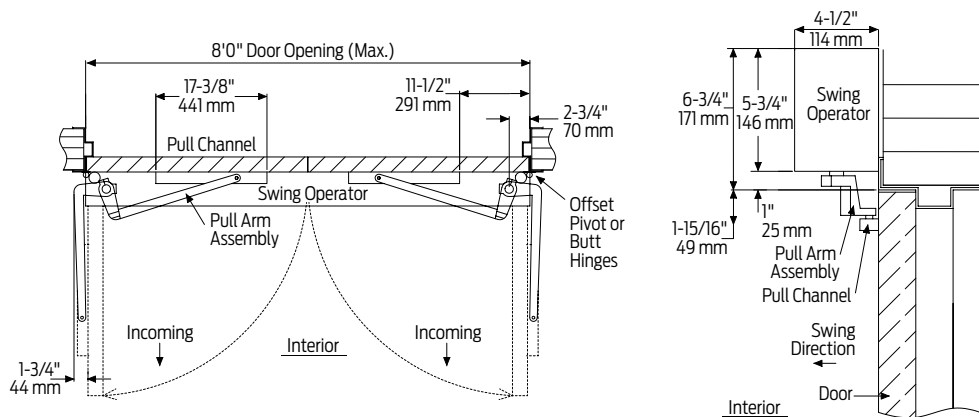
# 9550 Series Senior Swing

## Mounting details

### Top Jamb Simultaneous Pair Mounting



**Offset pivot/butt hinge, center pivot, push**  
Consult factory for all balanced door installations.



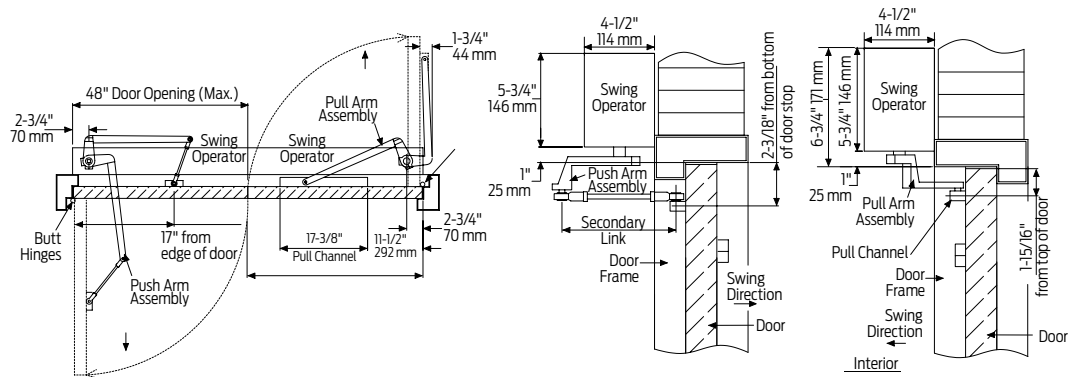
**Offset pivot/ butt hinge, center pivot, pull**  
*NOTE: Cannot be used with swing clear hinges, pocket pivots or balanced doors.*

|                                 |  |
|---------------------------------|--|
| <b>Butt Hinges</b>              | Should not exceed 5" (127 mm) in width   |
| <b>Reveal for push</b>          | Should not exceed 10" (254 mm) for REGULAR ARM and 20" (508 mm) for LONG ARM   |
| <b>Reveal for pull</b>          | Should not exceed 4" (102 mm)  |
| <b>Reveal</b>                   | Double egress installations should not exceed 4" (102 mm)  |
| <b>Head Frame</b>               | <ul style="list-style-type: none"> <li>Minimum 1-3/4" (44 mm)</li> <li>Face frame 6-3/4" (171 mm) total operator clearance</li> </ul>  |
| <b>Top Rail</b>                 | Minimum 2-3/4" (70 mm)   |
| <b>Opening and Closing Time</b> | <ul style="list-style-type: none"> <li>Variable by adjustments to the electronic control box</li> <li>Maximum hold open time adjustable up to approximately 32 seconds.</li> </ul> |
| <b>Door Stop</b>                | Required for each door panel   |
| <b>System Diagram</b>           | See "AUTOMATIC OPERATORS" section page 51 for typical system wiring and page 53 for electrical data  |
| <b>Maximum Opening</b>          | Template allows 90 degree power opening and 90 degree manual opening   |

**Notes:**

- Push N' Go permits non-switch activation with a power boost providing additional latching force
- Electromechanical unit with microprocessor control
- Digital keypad for easy setup
- 72" header length is standard. Specify other length 52" - 98" (push), specify other length 60" - 98" (pull; double egress). Consult factory regarding this option
- Adjustable hold open period of 2 - 32 seconds in automatic or manual mode
- Actuators available separately, see pages 115-131



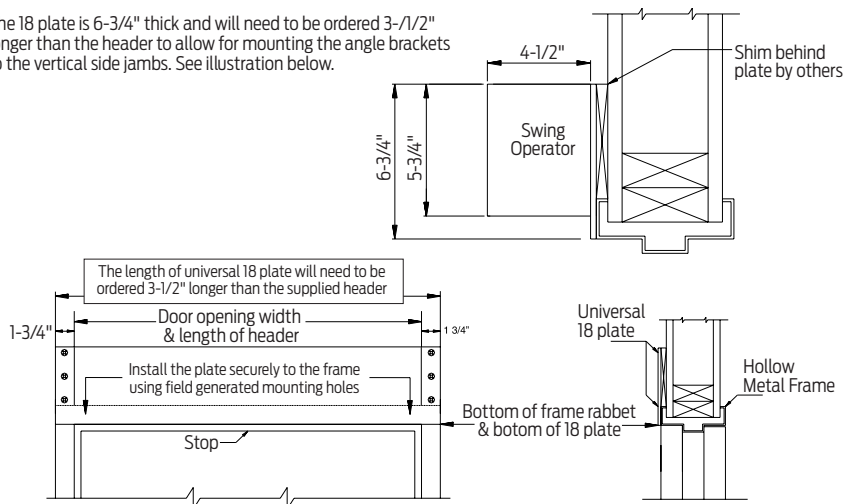


**RH double egress**

Double egress applications with safety sensors require LCN 9560 series.

NOTE: Cannot be used with swing clear hinges, pocket pivots or balanced door.

The 18 plate is 6-3/4" thick and will need to be ordered 3-1/2" longer than the header to allow for mounting the angle brackets to the vertical side jambs. See illustration below.



**Hollow metal frame**  
Suggested Installation.

|                                 |  |
|---------------------------------|--|
| <b>Butt Hinges</b>              | Should not exceed 5" (127 mm) in width   |
| <b>Reveal for push</b>          | Should not exceed 10" (254 mm) for REGULAR ARM and 20" (508 mm) for LONG ARM   |
| <b>Reveal for pull</b>          | Should not exceed 4" (102 mm)  |
| <b>Reveal</b>                   | Double egress installations should not exceed 4" (102 mm)  |
| <b>Head Frame</b>               | <ul style="list-style-type: none"> <li>Minimum 1-3/4" (44 mm)</li> <li>Face frame 6-3/4" (171 mm) total operator clearance</li> </ul>  |
| <b>Top Rail</b>                 | Minimum 2-3/4" (70 mm)   |
| <b>Opening and Closing Time</b> | <ul style="list-style-type: none"> <li>Variable by adjustments to the electronic control box</li> <li>Maximum hold open time adjustable up to approximately 32 seconds.</li> </ul> |
| <b>Door Stop</b>                | Required for each door panel   |
| <b>System Diagram</b>           | See "AUTOMATIC OPERATORS" section page 51 for typical system wiring and page 53 for electrical data  |
| <b>Maximum Opening</b>          | Template allows 90 degree power opening and 90 degree manual opening   |

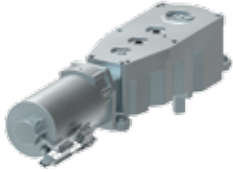
Notes:

- Push N' Go permits non-switch activation with a power boost providing additional latching force
- Electromechanical unit with microprocessor control
- Digital keypad for easy setup
- 72" header length is standard. Specify other length 52" - 98" (push), specify other length 60" - 98" (pull; double egress). Consult factory regarding this option
- Adjustable hold open period of 2 - 32 seconds in automatic or manual mode
- Actuators available separately, see pages 115-131

# 9550 Series Senior Swing

## Accessories

### Motor Gearbox



**9550-3454**  
Motor Gearbox

- Senior swing
- Handed
- Driving mechanism for operator
- Provides maximum 15 lbs opening force

### Mount Brackets



**9550-275**  
Mounting Bracket

- Motor gearbox mounting bracket for 2-3/4" offset pivot or butt hinge installations
- Front bracket



**9550-3018**  
Rear Mounting Bracket

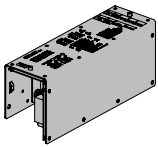
- Motor gearbox mounting bracket



**9550-334-1**  
Angled Bracket

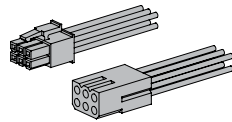
- Mounting bracket for surface applications (includes 2 mounting brackets)

### Control Box



**9550-3462**  
Control Box

- Electronic controlling device for Senior Swing



**9550-982**  
Companion Cable

- Cable that allows one control box to run two motor gear boxes
- For use with Senior Swing

### Header



**9550-3572HL**  
Header

- Pair door, two operators
- Specify other length 52" to 98" (Push)
- Specify other length 60" to 98" (Pull; Double Egress)
- Standard

### End Caps



**9550-334**  
Header End Caps

- With openings for wiring



**9550-334-2**  
End Dress Plate

- Metal finish end cap

### Tracks



**9550-3038**  
Track

- Non-handed
- Standard



**9550-73**  
Track End Cap

- Black plastic end caps



**9550-3034**  
Roller

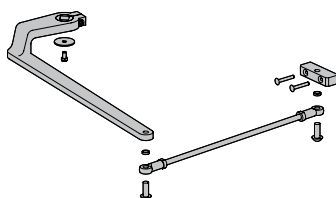
- Quiet low friction roller assembly

### Arms



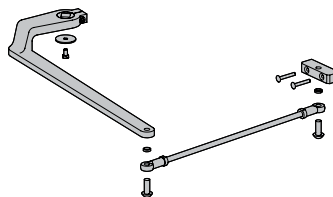
**9550-3077Plcm**  
Standard Arm Assembly

- Handed
- Includes 3077 regular arm assembly, 3038 track, and 3034 track roller



**9550-3077**  
Regular Arm Assembly

- Handed
- Includes 77 main arm assembly and 79 linkage assembly



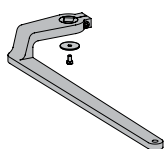
**9550-3077L**  
Regular Long Arm Assembly

- Handed
- Includes 77 main arm assembly and 79LR linkage assembly



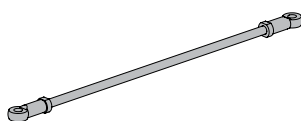
**9550-3077T**  
Standard Arm

- Handed
- Track roller not included



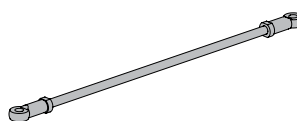
**9550-77**  
Main Arm

- Handed
- Attaches to motor gearbox



**9550-79**  
Linkage Assembly

- 15"
- Threaded rod attaches to door
- Extends from main arm



**9550-79LR**  
Linkage Assembly

- 32"
- Threaded long rod attaches to door
- Extends from main arm
- Used for reveal 10" to 20"

### Installation Assembly



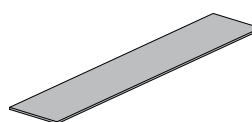
**9550-11A**  
Spindle Plate

- Hides bottom of motor gearbox
- Completes header box
- Cutout allows for motor gearbox shaft
- For 2-3/4" offset pivot or butt hinge installations



**9550-12**  
Filler Plate

- Blank
- Completes length of header box
- Specify length



**9550-18**  
Mounting Plate

- Optional mounting plate for standard hollow metal door frames
- Specify length 68-1/2" to 101-1/2" maximum when using angle brackets
- Specify length 65" to 98" maximum when using dress plates.

*NOTE: The length of a universal 18 plate will need to be ordered 3-1/2" longer than the supplied header when using angle brackets.*

**How-to-order 9550 Series closers**

**Specify hand**

- RH
- LH

**Specify header/length**

- HL\_ (Specify length 52" to 98") regular or long arm
- HL\_ (Specify length 60" to 98") for standard or DE arm

**Specify finish**

- Standard Anodized Finish \_\_\_\_\_  
Aluminum or Dark Bronze

**Operator will be shipped with:**

- Standard motor gearbox (SF) (2 ea)
- Standard control box (SC)
- Metal cover (at specified length 72" standard)
- Regular arm (2 ea)
- 2-3/4" pivot point
- Machine screw pack  
unless options listed below are selected

**Operator options**

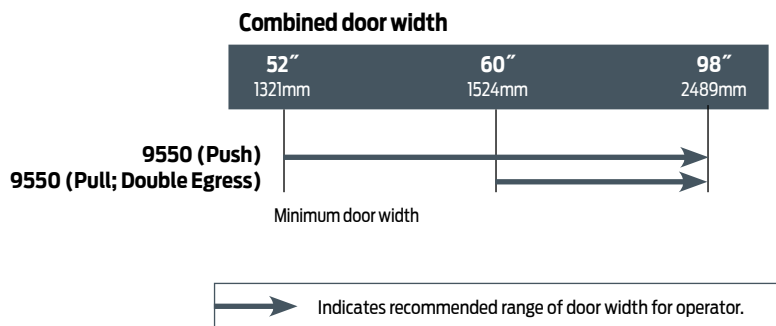
**Mounting plate**

- Plate, \_\_\_ (Specify Length 52" to 101-1/2")

**Arm**

- Standard Arm (2 ea) w/Standard Track (2 ea)
- Double Egress includes Standard Arm w/Track (1 ea) & Regular Arm (1 ea)
- Long Arm (3077L)

**Table of sizes**



*NOTE: For all Senior Swing Series.  
Simultaneous Pair – Width per leaf 26" minimum (push) 30" minimum (pull) to 48" maximum.*

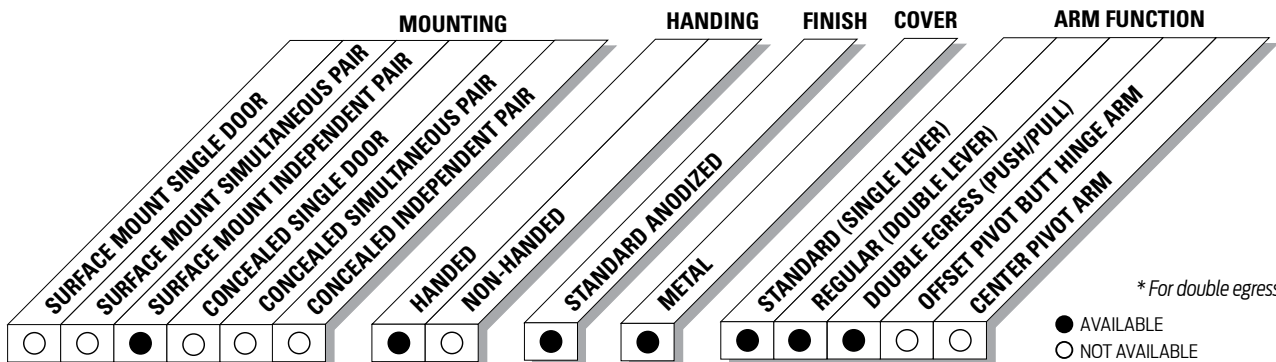


The 9560 SENIOR SWING by LCN is an ADA door operator that is a two-in-one swing door operator. SENIOR SWING operators when activated, opens doors automatically for wheelchair access, yet allows for manual operation for regular pedestrian traffic.

|                       |   |   |   |
|-----------------------|---|---|---|
| <b>Certifications</b> | Grade 1 - ANSI A156.19, UL325/228, UL1998, ADA, 100 Hour Salt Spray, Meets BAA - Buy American Act | <b>Cover</b>                            | Metal, Standard   |
| <b>Handing</b>        | Handed  | <b>Fasteners</b>                        | Machine screw pack  |
| <b>Warranty</b>       | 2 years   | <b>Mounting</b>                         | Independent pair, surface, pull, push, double egress  |
|                       |   | <b>Arms</b>                             | Single lever (push side), Double lever (Pull Side), Double egress (Push/Pull)                         |
|                       |   | <b>Finishes/Colors/<br/>Powder Coat</b> | <ul style="list-style-type: none"> <li>■ Anodized Aluminum</li> <li>■ Anodized Dark Bronze</li> </ul> |

**Special  
Templates**

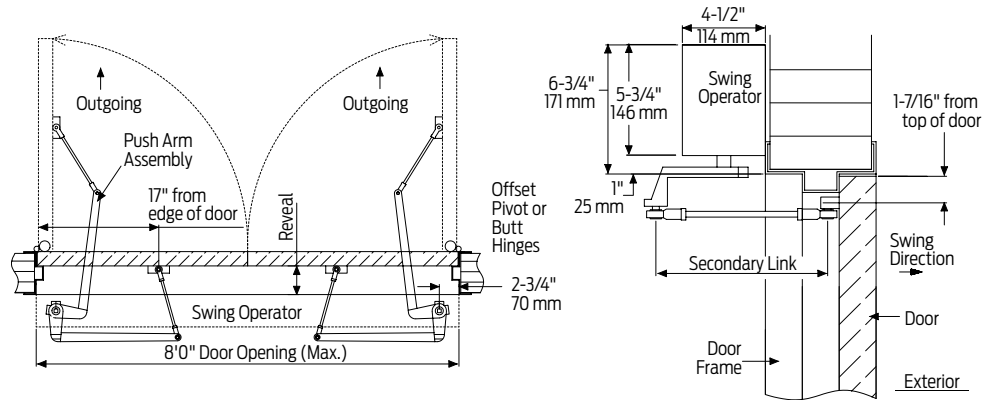
Customized installation templates or products may be available to solve unusual applications. Contact LCN Product Support for assistance.



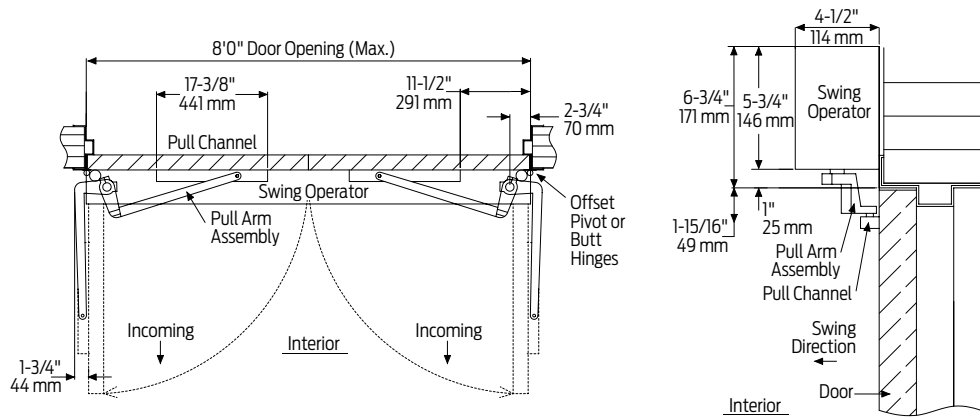
# 9560 Series Senior Swing

## Mounting details

Top Jamb Independent Pair Mounting



**Offset pivot/butt hinge, center pivot, push**  
Consult factory for all balanced door installations.



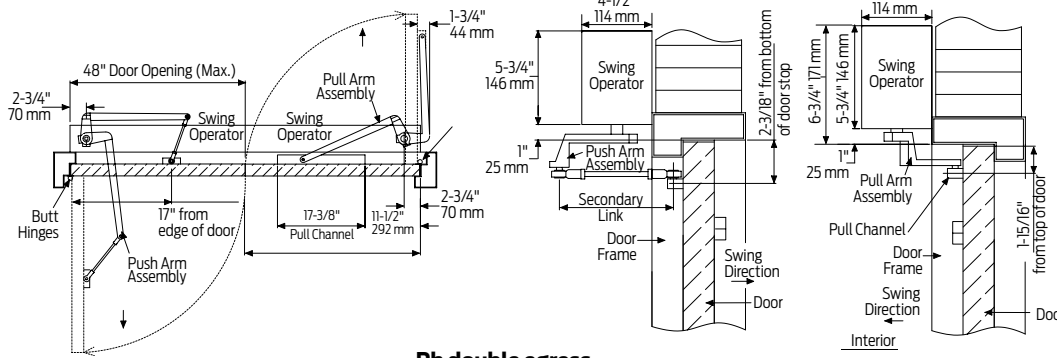
**Offset pivot/butt hinge, center pivot, pull**

NOTE: Cannot be used with swing clear hinges, pocket pivots or balanced doors.

|                                 |  |
|---------------------------------|--|
| <b>Butt Hinges</b>              | Should not exceed 5" (127 mm) in width   |
| <b>Reveal for push</b>          | Should not exceed 10" (254 mm) for REGULAR ARM and 20" (508 mm) for LONG ARM   |
| <b>Reveal for pull</b>          | Should not exceed 4" (102 mm)  |
| <b>Reveal</b>                   | Double egress installations should not exceed 4" (102 mm)  |
| <b>Head Frame</b>               | <ul style="list-style-type: none"> <li>Minimum 1-3/4" (44 mm)</li> <li>Face frame 6-3/4" (171 mm) total operator clearance</li> </ul>  |
| <b>Top Rail</b>                 | Minimum 2-3/4" (70 mm)   |
| <b>Opening and Closing Time</b> | <ul style="list-style-type: none"> <li>Variable by adjustments to the electronic control box</li> <li>Maximum hold open time adjustable up to approximately 32 seconds.</li> </ul> |
| <b>Door Stop</b>                | Required for each door panel   |
| <b>System Diagram</b>           | See "AUTOMATIC OPERATORS" section page 51 for typical system wiring and page 53 for electrical data  |
| <b>Maximum Opening</b>          | Template allows 90 degree power opening and 90 degree manual opening   |

**Notes:**

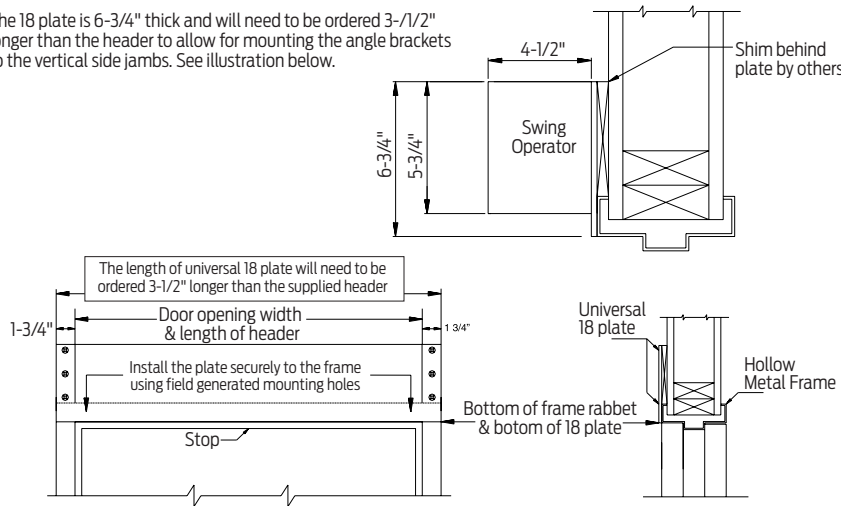
- Push N' Go permits non-switch activation with a power boost providing additional latching force
- Electromechanical unit with microprocessor control
- Digital keypad for easy setup
- 72" header length is standard. Specify 65" - 98" max
- Pull, push, or double egress applications available
- Adjustable hold open period of 2 - 32 seconds in automatic or manual mode
- Actuators available separately, see pages 115-131



**Rh double egress**

*NOTE: Cannot be used with swing clear hinges, pocket pivots or balanced doors.*

The 18 plate is 6-3/4" thick and will need to be ordered 3-1/2" longer than the header to allow for mounting the angle brackets to the vertical side jambs. See illustration below.



**Hollow metal frame**  
*Suggested Installation.*

|                                 |  |
|---------------------------------|--|
| <b>Butt Hinges</b>              | Should not exceed 5" (127 mm) in width   |
| <b>Reveal for push</b>          | Should not exceed 10" (254 mm) for REGULAR ARM and 20" (508 mm) for LONG ARM   |
| <b>Reveal for pull</b>          | Should not exceed 4" (102 mm)  |
| <b>Reveal</b>                   | Double egress installations should not exceed 4" (102 mm)  |
| <b>Head Frame</b>               | <ul style="list-style-type: none"> <li>Minimum 1-3/4" (44 mm)</li> <li>Face frame 6-3/4" (171 mm) total operator clearance</li> </ul>  |
| <b>Top Rail</b>                 | Minimum 2-3/4" (70 mm)   |
| <b>Opening and Closing Time</b> | <ul style="list-style-type: none"> <li>Variable by adjustments to the electronic control box</li> <li>Maximum hold open time adjustable up to approximately 32 seconds.</li> </ul> |
| <b>Door Stop</b>                | Required for each door panel   |
| <b>System Diagram</b>           | See "AUTOMATIC OPERATORS" section page 51 for typical system wiring and page 53 for electrical data  |
| <b>Maximum Opening</b>          | Template allows 90 degree power opening and 90 degree manual opening   |

*Notes:*

- Push N! Go permits non-switch activation with a power boost providing additional latching force
- Electromechanical unit with microprocessor control
- Digital keypad for easy setup
- 72" header length is standard. Specify 65" - 98" max
- Pull, push, or double egress applications available
- Adjustable hold open period of 2 - 32 seconds in automatic or manual mode
- Actuators available separately, see pages 115-131

# 9560 Series Senior Swing

## Accessories

### Motor Gearbox



**9560-3454**  
Motor Gearbox

- Senior swing
- Handed
- Driving mechanism for operator
- Provides maximum 15 lbs opening force

### Mounting Brackets



**9560-275**  
Mounting Bracket

- Motor gearbox mounting bracket for 2-3/4" center pivot installations
- Front bracket



**9560-3018**  
Rear Mounting Bracket

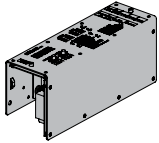
- Motor gearbox mounting bracket



**9560-334-1**  
Angled Bracket

- Mounting bracket for surface applications
- Includes 2 mounting brackets

### Control Box



**9560-3462**  
Control Box

- Electronic controlling device for Senior Swing

### Header



**9560-3572HL**  
Header

- Pair door, two operators
- Specify length 65" to 98" maximum
- Standard

### End Caps



**9560-334**  
Header End Caps

- With openings for wiring



**9560-334-2**  
End Dress Plate

- Metal finish end cap



### Tracks



**9560-3038**  
Track

- Non-handed
- Standard



**9560-73**  
Track End Cap

- Black plastic end caps



**9560-3034**  
Roller

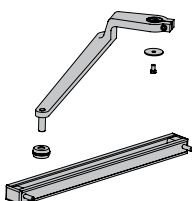
- Quiet low friction roller assembly

### Arms



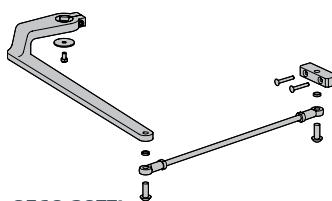
**9560-3077T**  
Standard Arm

- Handed
- Track roller not included



**9560-3077**  
Regular Arm Assembly

- Handed
- Includes 77 main arm assembly and 79 linkage assembly



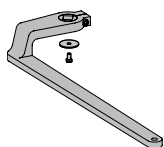
**9560-3077L**  
Regular Long Arm Assembly

- Handed
- Includes 77 main arm assembly and 79LR linkage assembly



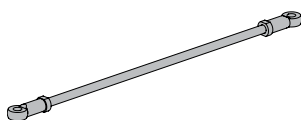
**9560-3077PLCM**  
Standard Arm Assembly

- Handed
- Includes 3077 regular arm assembly, 3038 track, and 3034 track roller



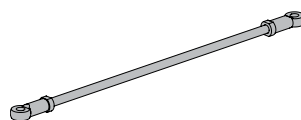
**9560-77**  
Main Arm

- Handed
- Attaches to motor gearbox



**9560-79**  
Linkage Assembly

- 15"
- Threaded rod attaches to door
- Extends from main arm
- Used for reveal 1" to 10"



**9560-79LR**  
Linkage Assembly

- 32"
- Threaded long rod attaches to door
- Extends from main arm.
- Used for reveal 10" to 20"

### Installation Accessories



**9560-11A**  
Spindle Plate

- Hides bottom of motor gearbox
- Completes header box
- Cutout allows for motor gearbox shaft
- For 2-3/4" offset pivot or butt hinge installations



**9560-12**  
Filler Plate

- Blank
- Completes length of header box
- Specify length



**9560-18**  
Mounting Plate

- Optional mounting plate for standard hollow metal door frames
- Specify length 68-1/2" to 101-1/2" maximum when using angle brackets
- Specify length 65" to 98" maximum when using dress plates.

*NOTE: The length of a universal 18 plate will need to be ordered 3-1/2" longer than the supplied header when using angle brackets.*

**How-to-order 9560 Series**

**Specify hand**

- RH
- LH

**Specify header/length**

- HL\_\_ (Specify length 65" to 98") regular or long arm

**Specify finish**

- Standard Anodized Finish \_\_\_\_\_  
Aluminum or Dark Bronze

**Operator will be shipped with:**

- Standard motor gearbox (SF) (2 ea)
  - Standard control box (SC)
  - Metal cover (at specified length 72" standard)
  - Regular arm (2 ea)
  - 2-3/4" pivot point
  - Machine screw pack
- unless options listed below are selected.

**Operator options**

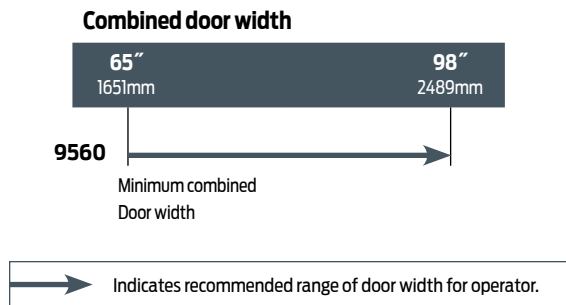
**Mounting plate**

- Plate, \_\_ (Specify Length 65" to 101-1/2")

**Arm**

- Standard Arm (2 ea) w/Standard Track (2 ea)
- Double Egress - Includes Standard Arm w/Track (1 ea) & Regular Arm (1 ea)
- Long Arm (3077L)

**Table of sizes**



*NOTE: For all Senior Swing Series  
Independent Pair – Width per leaf 30" minimum to 48" maximum.*

**The actuators and accessories on the following pages are to be used with LCN automatic operators. When using actuators supplied by others, such as card readers, consult the factory.**

The desired function, traffic patterns and physical design of the opening will determine the type of actuators used. Generally, for twoway traffic, an actuator is required on both the interior and exterior side of the door. Each actuator is packaged with a decal to be applied to the controlled door. Scanners operate on 12V or 24V AC/DC and may be powered by the LCN electrohydraulic/electromechanical operators. The 7900 series control box requires separate power supply for scanners. Actuators provide normally open (N.O.) dry contacts.

## Automatic Operator Actuators & Accessories



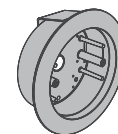
**8310-856**  
Wall Mounted Actuator

- Hardwired low voltage actuator with round, stainless steel touch plate in 4-1/2" (114mm) diameter
- Engraved blue filled handicap symbol conforms to most accessibility codes
- Designed to mount in a flush or surface mount box (sold separately) in/on a vertical surface near the controlled door
- Optional mounting in single gang electrical box (by others)
- Heavy industrial grade components provide vandal resistant mounting and weather resistant switch standard



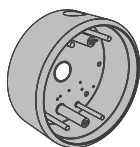
**8310-856T**  
Wall Mounted Actuator

- Same as the 8310-856, with the added engraving of "Push to Open"



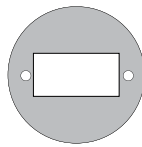
**8310-868F**  
Flush Mount Box

- Rugged Plastic Box, 4-1/2" Round
- Optional accessory - can be used w/any 4-1/2" round actuator



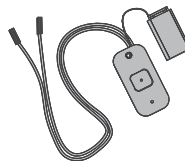
**8310-868S**  
Surface Mount Box

- Rugged Plastic Box, 4-1/2" Round
- Optional accessory - can be used w/any 4-1/2" round actuator



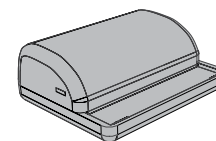
**8310-800**  
Weather/Trim Ring

- Weather/Trim Ring, 4-1/2" Round
- Optional accessory - must be used w/any 4-1/2" round plastic mounting box



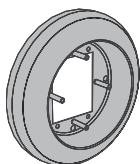
**8310-844**  
Transmitter

- Transmitter, Wireless, 1 Channel, 9v battery included
- Use to convert standard wall mount actuator to wireless
- Requires 8310-865 Receiver



**8310-865**  
Receiver

- Receiver, Wireless, 1 Channel, w/ Sequencing Feature
- Used in conjunction w/ Wireless Actuators & Transmitter(s)



**8310-874**  
Escutcheon

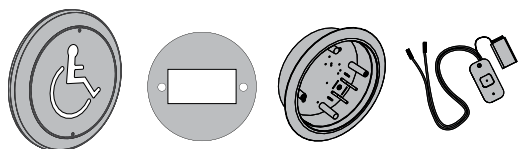
- Tapered stainless steel escutcheon covers the gap between the wall and the back of the wall plate actuators when mounted in electrical boxes (by others) to minimize cart damage or vandalism
- Optional accessory - can be used w/any 4-1/2" round actuator
- Not to be used with wireless function

## 8310 Series

Auto Operator  
Actuators &  
Accessories

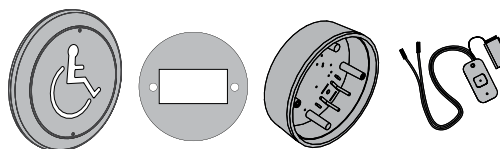
4-1/2" Surface and Flush  
Mounts

### Automatic Operator Actuators & Accessories



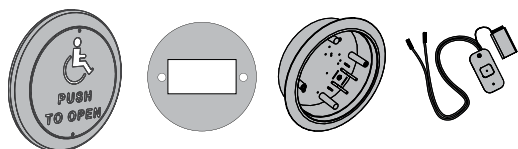
**8310-3856WF**  
Flush Mount Kit

- Actuator, 4-1/2" Round, Logo, Wireless
- Includes 8310-856 Actuator, 8310-844 Transmitter, 8310-868F Flush Box, 8310-800 Weather/Trim Ring
- Requires 8310-865 Receiver (not part of kit)



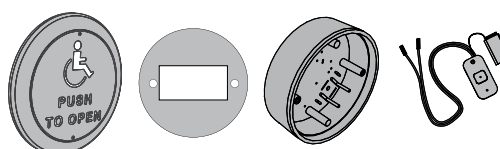
**8310-3856WS**  
Surface Mount Kit

- Actuator, 4-1/2" Round, Logo, Wireless
- Includes 8310-856 Actuator, 8310-844 Transmitter, 8310-868S Surface Box, 8310-800 Weather/Trim Ring
- Requires 8310-865 Receiver (not part of kit)



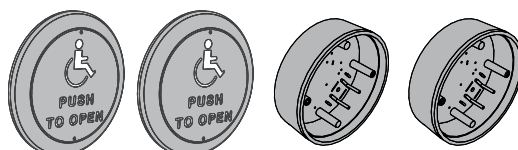
**8310-3856TWF**  
Flush Mount Kit

- Actuator, 4-1/2" Round, Logo, Text, Wireless,
- Includes 8310-856T Actuator, 8310-844 Transmitter, 8310-868F Flush Box, 8310-800 Weather/Trim Ring
- Requires 8310-865 Receiver (not part of kit)



**8310-3856TWS**  
Surface Mount Kit

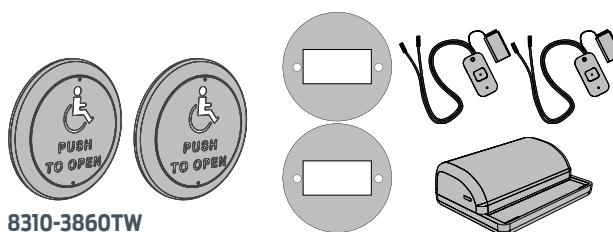
- Actuator, 4-1/2" Round, Logo, Text, Wireless,
- Includes 8310-856T Actuator, 8310-844 Transmitter, 8310-868S Surface Box, 8310-800 Weather/Trim Ring
- Requires 8310-865 Receiver (not part of kit)



**8310-3860T**  
Surface Mount Kit

- Actuator Package, 4-1/2" Round
- Includes 8310-856T (2) Wall Mount Actuator, 8310-868S Surface Mount Box.

*NOTE: Weather/Trim Rings are sold separately*



**8310-3860TW**  
Surface Mount Kit

- Actuator Package, 4-1/2" Round, Wireless
- Includes 8310-856T (2) Wall Mount Actuator, 8310-868S (2) Surface Mount Box, 8310-800 (2) Weather/Trim Ring, 8310-844 (2) Transmitter, 8310-865 Receiver

### Automatic Operator Actuators & Accessories



**8310-852**  
Wall Mounted Actuator

- Hardwired low voltage actuator with round, stainless steel touch plate in 6" (152mm) diameter
- Engraved blue filled handicap symbol conforms to most accessibility codes
- Designed to mount in a flush or surface mount box (sold separately) in/on a vertical surface near the controlled door
- Optional mounting in single gang electrical box (by others) or double gang box (4" x 4" by others)
- Heavy industrial grade components provide vandal resistant mounting and weather resistant switch standard.



**8310-852T**  
Wall Mounted Actuator

- Same as the 8310-852, with the added engraving of "Push to Open"



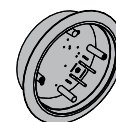
**8310-852WP**  
Wall Mounted Actuator

- Wireless, low profile, low voltage actuator with round, stainless steel touch plate in 6" (152mm) diameter
- Engraved blue filled handicap symbol conforms to most accessibility codes
- Surface mount box includes integral transmitter w/ battery and actuator switch
- Heavy industrial grade components provide vandal resistant mounting and weather resistant switch standard
- Requires 8310-865 Receiver



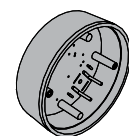
**8310-852TWP**  
Wall Mounted Actuator

- Same as the 8310-852WP, with the added engraving of "Push to Open"



**8310-869F**  
Flush Mount Box

- Rugged Plastic Box, 6" Round
- Optional accessory - can be used w/ any 6" round actuator



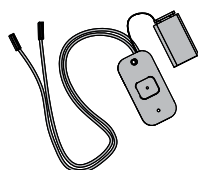
**8310-869S**  
Surface Mount Box

- Rugged Plastic Box, 6" Round
- Optional accessory - can be used w/ any 6" round actuator



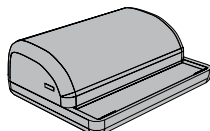
**8310-802**  
Weather/Trim Ring

- Plastic Weather/Trim Ring, 6" Round
- Optional accessory - can be used w/ any 6" round plastic mounting box.



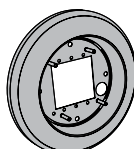
**8310-8/444**  
Transmitter

- Transmitter, Wireless, 1 Channel, 9v battery included
- Use to convert standard wall mount actuator to wireless
- Requires 8310-865 Receiver



**8310-865**  
Receiver

- Receiver, Wireless, 1 Channel, w/ Sequencing Feature
- Used in conjunction w/ Wireless Actuators & Transmitter(s)



**8310-876**  
Escutcheon

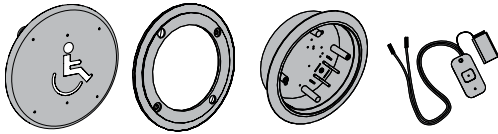
- Tapered stainless steel escutcheon covers the gap between the wall and the back of the wall plate actuators when mounted in electrical boxes (by others) to minimize cart damage or vandalism
- Optional accessory - Can be used w/ any 6" round actuator
- Not to be used with wireless function

## 8310 Series

Auto Operator  
Actuators &  
Accessories

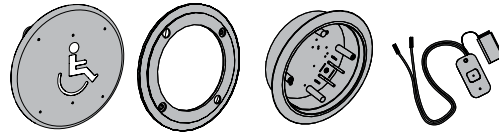
6" Surface and Flush  
Mounts

### Automatic Operator Actuators & Accessories



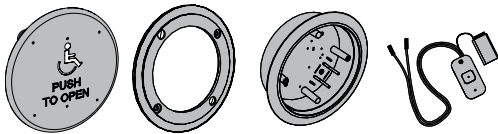
#### 8310-3852WF Flush Mount Kit

- 6" Round, Logo, Wireless
- Includes 8310-852 Actuator, 8310-844 Transmitter, 8310-869F Flush Box, 8310-802 Weather/Trim Ring
- Requires 8310-865 Receiver (not part of kit)



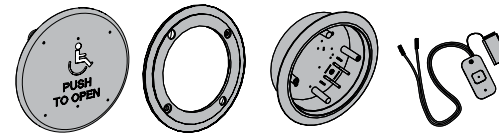
#### 8310-3852WS Surface Mount Kit

- 6" Round, Logo, Wireless,
- Includes 8310-852 Actuator, 8310-844 Transmitter, 8310-869S Surface Box, 8310-802 Weather/Trim Ring
- Requires 8310-865 Receiver (not part of kit)



#### 8310-3852TWF Flush Mount Kit

- 6" Round, Logo, Text, Wireless,
- Includes 8310-852T Actuator, 8310-844 Transmitter, 8310-869F Flush Box, 8310-802 Weather/Trim Ring
- Requires 8310-865 Receiver (not part of kit)



#### 8310-3852TWS Surface Mount Kit

- 6" Round, Logo, Text, Wireless,
- Includes 8310-852T Actuator, 8310-844 Transmitter, 8310-869S Surface Box, 8310-802 Weather/Trim Ring
- Requires 8310-865 Receiver (not part of kit)

## 8310 Series

Auto Operator  
Actuators &  
Accessories

1-1/2" x 4-3/4" Surface  
and Flush Mounts

NOTE: LCN recommends for all jamb mount actuators be used on an interior installation only.

### Automatic Operator Actuators & Accessories



**8310-818**  
Jamb Mounted Actuator

- Hardwired low voltage actuator with rectangular stainless steel touch plate.
- 1-1/2" (38mm) wide by 4-3/4" (121mm)
- Engraved blue filled handicap symbol conforms to most accessibility codes
- Designed to mount in a frame cutout (template provided) projecting approximately 1/2" (12mm) from the frame
- Optional mounting in surface or flush mount box (sold separately)
- Heavy industrial grade components provide vandal resistant mounting and weather resistant switch standard



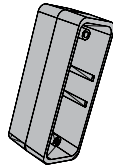
**8310-818T**  
Jamb Mounted Actuator

- Same as the 8310-818, with the added engraving of "Push to Open"



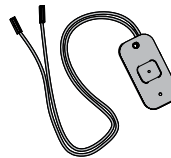
**8310-819F**  
Flush Mount Box

- Rugged Plastic Jamb Box
- 1-1/2" x 4-3/4" rectangle, optional accessory - can be used w/ any 1-1/2" x 4-3/4" jamb mount actuator



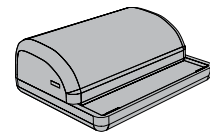
**8310-819S**  
Surface Mount Box

- Rugged Plastic Jamb Box
- 1-1/2" x 4-3/4", rectangle
- Optional accessory - can be used w/ any 1-1/2" x 4-3/4" jamb mount plastic mounting box



**8310-844J**  
Transmitter

- Wireless, 1 Channel, Jamb Mount, 3v battery included
- Used to convert standard jamb mount actuator to wireless when used w/ 819F or 819S boxes. Requires 8310-865 Receiver (interior use only)



**8310-865**  
Receiver

- Wireless, 1 Channel, w/ Sequencing Feature
- Used in conjunction w/ Wireless Actuators & Transmitter(s)

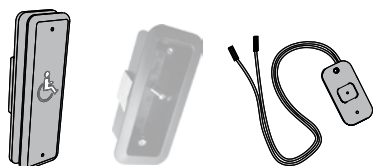
## 8310 Series

Auto Operator  
Actuators &  
Accessories

1-1/2" x 4-3/4" Surface  
and Flush Mounts

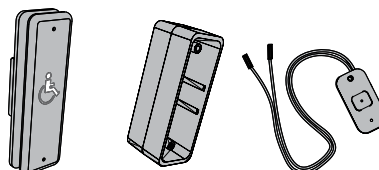
*NOTE: LCN recommends for all jamb mount actuators be used on an interior installation only.*

### Automatic Operator Actuators & Accessories



**8310-3818WF**  
Flush Mount Kit

- Actuator, 1-1/2" x 4-3/4" Rectangle, Logo, Wireless
- Includes 8310-818 Actuator, 8310-844J Transmitter, 8310-819F Flush Box
- Requires 8310-865 Receiver (not part of kit)



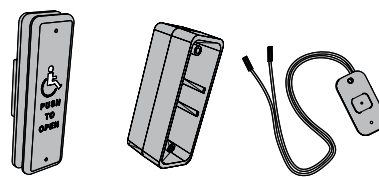
**8310-3818WS**  
Surface Mount Kit

- Actuator, 1-1/2" x 4-3/4" Rectangle, Logo, Wireless
- Includes 8310-818 Actuator, 8310-844J Transmitter, 8310-819S Surface Box
- Requires 8310-865 Receiver (not part of kit)



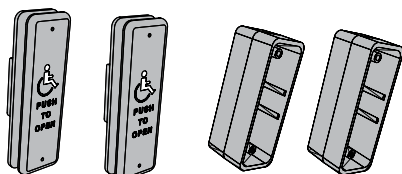
**8310-3818TWF**  
Flush Mount Kit

- Actuator, 1-1/2" x 4-3/4" Rectangle, Logo, Wireless
- Includes 8310-818T Actuator, 8310-844J Transmitter, 8310-819F Flush Box
- Requires 8310-865 Receiver (not part of kit)



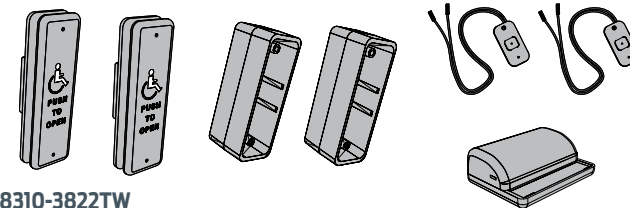
**8310-3818TWS**  
Surface Mount Kit

- Actuator, 1-1/2" x 4-3/4" Rectangle, Logo, Wireless
- Includes 8310-818T Actuator, 8310-844J Transmitter, 8310-819S Surface Box
- Requires 8310-865 Receiver (not part of kit)



**8310-3822T**  
Surface Mount Kit

- Actuator Package, 1-1/2" x 4-3/4", Jamb Mount
- Includes 8310-818T (2) Jamb Mount Actuator, 8310-819S (2)
- Surface Mount Box



**8310-3822TW**  
Surface Mount Kit

- Actuator Package, 1-1/2" x 4-3/4", Wireless, Jamb Mount
- Includes 8310-818T (2) Jamb Mount Actuator, 8310-819S (2)
- Surface Mount Box, 8310-844J (2) Jamb Mount Transmitter, 8310-865 Receiver



## 8310 Series

### Auto Operator Actuators & Accessories

4-3/4" Square Surface  
and Flush Mounts

#### Automatic Operator Actuators & Accessories



**8310-853**  
Wall Mounted Actuator

- Hardwired low voltage actuator with stainless steel touch plate in 4-3/4" (121mm) square
- Engraved blue filled handicap symbol conforms to most accessibility codes
- Designed to mount in a flush or surface mount box (sold separately) in/on a vertical surface near the controlled door
- Optional mounting in single gang electrical box (by others) or double gang box (4" x 4" by others) or on an 8310-866 bollard post
- Heavy industrial grade components provide vandal resistant mounting and weather resistant switch standard



**8310-853T**  
Wall Mounted Actuator

- Same as the 8310-853, with the added engraving of "Push to Open"



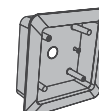
**8310-853WP**  
Surface Mounted Actuator

- Wireless, low profile, low voltage actuator with round, stainless steel touch plate in 4-3/4" (121mm) square
- Engraved blue filled handicap symbol conforms to most accessibility codes
- Surface mount box includes integral transmitter w/ battery and actuator switch
- Heavy industrial grade components provide vandal resistant mounting and weather resistant switch standard
- Requires 8310-865 Receiver



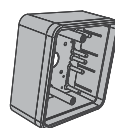
**8310-853TWP**  
Surface Mounted Actuator

- Same as the 8310-853WP, with the added engraving of "Push to Open"



**8310-867F**  
Flush Mount Box

- Rugged Plastic Box
- 4-3/4" Square
- Optional accessory - can be used w/ any 4-3/4" square actuator



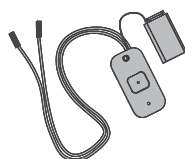
**8310-867S**  
Surface Mount Box

- Rugged Plastic Box, 4-3/4" Square
- Optional accessory - can be used w/ any 4-3/4" square actuator



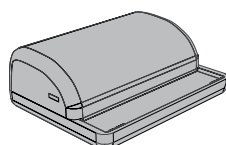
**8310-801**  
Weather/Trim Ring

- Plastic Weather Ring, 4-3/4" Square
- Optional accessory - can be used w/ any 4-3/4" square plastic mounting box



**8310-844**  
Transmitter

- Wireless, 1 Channel, 9v battery included
- Use to convert standard wall mount actuator to wireless
- Requires 8310-865 Receiver



**8310-865**  
Receiver

- Wireless, 1 Channel, w/ Sequencing Feature
- Used in conjunction w/ Wireless Actuators & Transmitter(s)



**8310-813**  
Touchless Wall Mounted Actuator

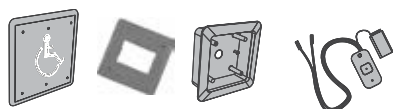
- Hardwired low voltage actuator with plastic plate in 4-3/4" (121mm) square
- Optional mounting in single gang electrical box (by others) or double gang box (4" x 4" by others)

## 8310 Series

Auto Operator  
Actuators &  
Accessories

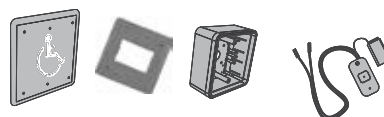
4-3/4" Square Surface  
and Flush Mounts

### Automatic Operator Actuators & Accessories



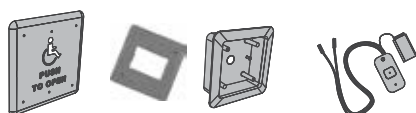
#### 8310-3853WF Flush Mount Kit

- Actuator, 4-3/4" Square, Logo, Wireless
- Includes 8310-853, 8310-844 Transmitter, 8310-867F Flush Box, 8310-801 Weather/Trim Ring
- Requires 8310-865 Receiver (not part of kit)



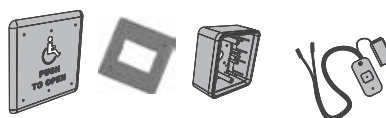
#### 8310-3853WS Surface Mount Kit

- Actuator, 4-3/4" Square, Logo, Wireless
- Includes 8310-853, 8310-844 Transmitter, 8310-867S Surface Box, 8310-801 Weather/Trim Ring
- Requires 8310-865 Receiver (not part of kit)



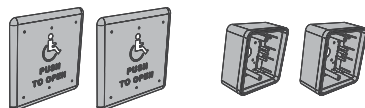
#### 8310-3853TWF Flush Mount Kit

- Actuator, 4-3/4" Square, Logo, Text, Wireless
- Includes 8310-853T, 8310-844 Transmitter, 8310-867F Flush Box, 8310-801 Weather/Trim Ring
- Requires 8310-865 Receiver (not part of kit)



#### 8310-3853TWS Surface Mount Kit

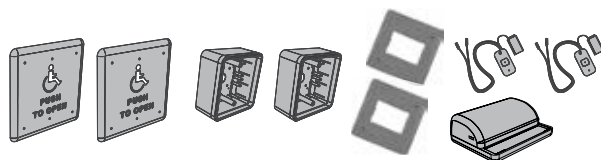
- Actuator, 4-3/4" Square, Logo, Text, Wireless
- Includes 8310-853T, 8310-844 Transmitter, 8310-867S Surface Box, 8310-801 Weather/Trim Ring
- Requires 8310-865 Receiver (not part of kit)



#### 8310-3857T Surface Mount Kit

- Actuator Package, 4-3/4" Square
- Includes 8310-853T (2) Wall Mount Actuator, 8310-867S (2)
- Surface Mount Box

NOTE: Weather/Trim Rings are sold separately



#### 8310-3857TW Surface Mount Kit

- Actuator Package, 4-3/4" Square
- Includes 8310-853T (2) Wall Mount Actuator, 8310-867S (2) Surface Mount Box, 8310-801 (2) Weather/Trim Ring, 8310-844 (2) Transmitter, 8310-865 Receiver

## 8310 Series

Auto Operator  
Actuators &  
Accessories

4-3/4" Dual Square  
Surface and Flush  
Mounts

### Automatic Operator Actuators & Accessories



#### 8310-855 Dual Wall Mounted Actuator

- Hardwired low voltage actuator with dual rectangle, stainless steel touch plate in 4-3/4" (121mm) square
- Engraved blue filled handicap symbol w/ text, conforms to most accessibility codes
- Designed to mount in a flush or surface mount box (sold separately) in/on a vertical surface near the controlled door
- Optional mounting in double gang box (4" x 4" by others) or on an 8310-866 bollard post
- Heavy industrial grade components provide vandal resistant mounting and weather resistant switch standard



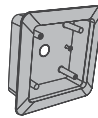
#### 8310-801 Weather/Trim Ring

- Plastic Weather Ring, 4-3/4" Square
- Optional accessory - can be used w/ any 4-3/4" square plastic mounting box



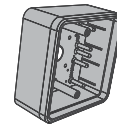
#### 8310-844 Transmitter

- Transmitter, Wireless, 1 Channel, 9v battery included
- Use to convert standard wall mount actuator to wireless
- Requires 8310-865 Receiver



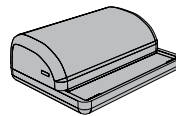
#### 8310-867F Flush Mounted Actuator

- Rugged Plastic Box, 4-3/4" Square
- Optional accessory - can be used w/ any 4-3/4" square actuator



#### 8310-867S Surface Mount Box

- Rugged Plastic Box, 4-3/4" Square
- Optional accessory - can be used w/ any 4-3/4" square actuator



#### 8310-865 Receiver

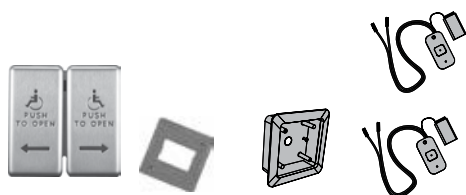
- Receiver, Wireless, 1 Channel, w/ Sequencing Feature
- Used in conjunction w/ Wireless Actuators & Transmitter(s)

## 8310 Series

Auto Operator  
Actuators &  
Accessories

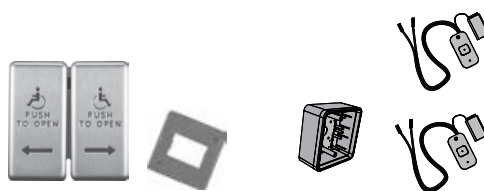
4-3/4" Dual Square  
Surface and Flush Mounts

### Automatic Operator Actuators & Accessories



#### 8310-3855WF Flush Mount Kit

- Actuator, 4-3/4" Square, Logo, Text, Dual Vestibule, Wireless
- Includes 8310-855 Actuator, 8310-844 Transmitter (2), 8310-867F Flush Box, 8310-801 Weather/Trim Ring
- Requires 8310-865 Receiver (2) (not part of kit)



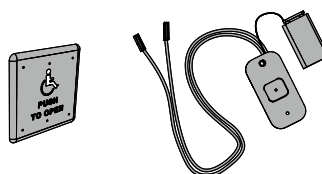
#### 8310-3855WS Surface Mount Kit

- Actuator, 4-3/4" Square, Logo, Text, Dual Vestibule, Wireless
- Includes 8310-855 Actuator, 8310-844 Transmitter (2), 8310-867S Surface Box, 8310-801 Weather/Trim Ring
- Requires 8310-865 Receiver (2) (not part of kit)



#### 8310-3853WB Actuator, Bollard Mount Kit

- 4-3/4" Square w/ Logo, Wireless actuator
- Use w/ 8310-866 Bollard (not included) - Includes 8310-853 actuator, 8310-844 transmitter
- Requires 8310-865 Receiver (not part of kit)



#### 8310-3853TWB Actuator, Bollard Mount Kit

- 4-3/4" Square w/ Logo, Text, Wireless actuator
- Use w/ 8310-866 Bollard (not included) - Includes 8310-853T actuator, 8310-844 Transmitter
- Requires 8310-865 Receiver (not part of kit)

## 8310 Series

Auto Operator  
Actuators &  
Accessories

36" x 6" Full Length  
Actuators

### Automatic Operator Actuators & Accessories



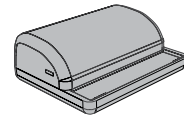
**8310-836T**  
Full Length Actuator (FLA)

- Hardwired low voltage actuator with stainless steel touch plate with 36" x 6" activation surface
- Blue handicap symbol conforms with most accessibility codes
- Added "PUSH TO OPEN" lettering for enhanced identification
- Designed to meet California building codes and increase accessibility for wheelchair bound entrants
- Can easily be mounted to any flat surface or a bollard post



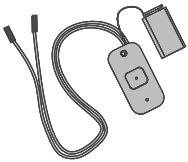
**8310-836TW**  
Flush Length Actuator (FLA)

- Same as the 8310-836T with a built in wireless transmitter and 3v battery
- Use in conjunction with 8310-865 Receiver (not included)



**8310-865**  
Receiver

- Wireless, 1 Channel, w/Sequencing Feature
- Used in conjunction w/ Wireless Actuators & Transmitter(s)



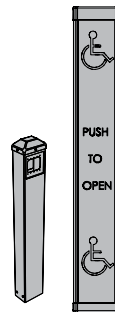
**8310-844**  
Transmitter

- Wireless, 1 Channel, 9v Battery included.
- Used to convert standard actuators to wireless
- Requires 8310-865 Receiver
- Recommended for exterior application with 8310-836T
- Used with the 866FLA bollard post



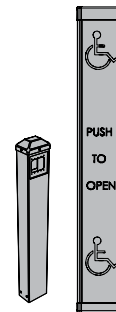
**8310-866FLA**  
FLA Bollard Post

- A powder coated steel 42" x 4" x 6": Bollard Post, mounting base pre prepped for the 8310-836T
- Includes 8310-866 CAP, 2 mounting screws & spacer for installation



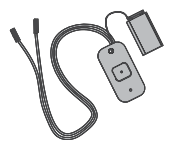
**8310-3836T**  
FLA Bollard Mount Kit

- 36" x 6" Actuator with 8310-866FLA Bollard for wired applications



**8310-3836TW**  
FLA Bollard Mount Kit

- 36" x 6" Actuator with 8310-866FLA Bollard and 8310-844 wireless Transmitter
- Transmitter requires 8310-865 Receiver (not included)



# 8310 Series

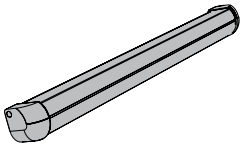
Auto Operator  
Sensors &  
Accessories

Sensors

**The sensors and accessories on the following pages are to be used only with LCN automatic operators. When using sensors supplied by others, consult the factory.**

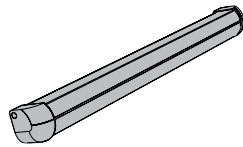
The desired function, traffic patterns and physical design of the opening will determine the type of sensors used.

## Automatic Operator Sensors & Accessories



**8310-804-1**  
Door Mount Safety Sensor

- Contains one active sensor module to detect obstruction(s) on leading edge of door



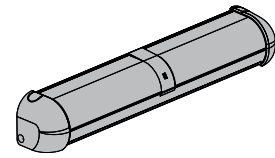
**8310-804-2**  
Door Mount Safety Sensor

- Contains two active sensor modules to detect obstruction(s) on full face of door



**8310-854**  
Header Mount Activation Sensor

- Activation Sensor, 'K' Band Technology
- Used to detect objects either approaching or moving away from sensor
- Uses standard 'one way' detection but additional detection can be programmed
- Optional 8310-859 Handheld Remote Control can be used to program 8310-854 sensor from a distance



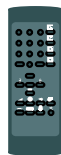
**8310-877**  
Header Mount Safety Sensor

- Safety Sensor, 'Diffused Infrared' Technology
- Used to detect obstructions during door open and door closed position
- Nine selectable patterns
- 8310-859 Handheld Remote Control required to program 8310-877 sensor from a distance
- Includes 8310-846 Harness



**8310-877S**  
Header Mount Safety Sensor  
Spacer

- Required when 8310-804-1 or 8310-804-2 Door Mount Safety
- Spacers are used w/ 8310-877 Header Mount Safety Sensor



**8310-859**  
Handheld Remote Control

- Used to program 8310-877 Header Mount Safety Sensor or 8310-854 Header Mount Motion Sensor



**8310-846**  
Header Mount Harness

- Comes with 8310-877 Header Mount Safety Sensor



**8310-847**  
Door Mount Harness

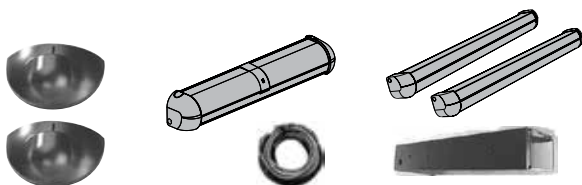
- Used with 8310-804-1 or 8310-804-2 Door Mount Safety Sensor, must order separately.
- Used with Senior Swing only, must order separately

## Automatic Operator Sensors & Accessories



### 8310-3881L Safety Sensor Package

- Activation/Safety Sensor Package, Single Door
- Includes 8310-854 (2) Header Mount Activation Sensor, 8310-877 Header Mount Safety Sensor, 8310-877S Header Mount Spacer, 8310-804-2 Door Mount
- Safety Sensor (approach side), 8310-847 Harness (Used with Senior Swing only)



### 8310-3881 Safety Sensor Package

- Activation/Safety Sensor Package, Single Door
- Includes 8310-854 (2) Header Mount Activation Sensor, 8310-877 Header Mount Safety Sensor, 8310-877S Header Mount Spacer, 8310-847 Harness, 8310-804-2 (2) Door Mount Safety Sensor (approach/safety side) (Used with Senior Swing only)



### 8310-3883 Safety Sensor Package

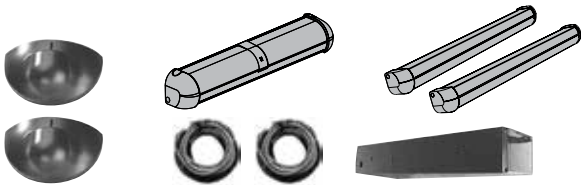
- Activation/Safety Sensor Package, Low Energy Convenience
- Single Door, Includes 8310-804-1 Door Mount Safety
- Sensor (approach side), 8310-805C Door Position Switch (Concealed), 8310-845 Programmable Relay Module (Used with Senior Swing only)

# 8310 Series

Auto Operator Sensors & Accessories

Packages

## Automatic Operator Sensors & Accessories

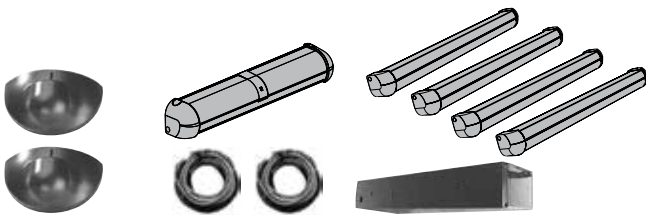


### 8310-3882L

#### Safety Sensor Package

- Activation/Safety Sensor Package, Double Door
- Includes 8310-854 (2) Header Mount Activation Sensor, 8310-877 Header Mount Safety Sensor, 8310-877S Header Mount Spacer, 8310-847 (2) Harness, 8310-804-2 (2) Door Mount Safety Sensor (approach side) (Used with Senior Swing only)

NOTE: Not for use with Double Egress

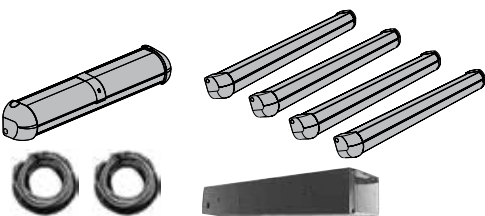


### 8310-3882

#### Safety Sensor Package

- Activation/Safety Sensor Package, Double Door
- Includes 8310-854 (2) Header Mount Sensor, 8310-877 Header Mount Sensor, 8310-877S Header Mount Spacer, 8310-847 (2) Harness, 8310-804-2 (4) Door Mount Safety Sensor (approach/safety side) (Used with Senior Swing only)

NOTE: Not for use with Double Egress

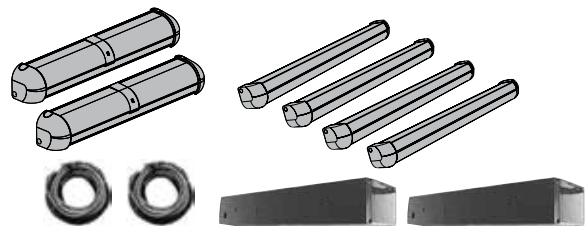


### 8310-3891

#### Safety Sensor Package

- Activation/Safety Sensor Package, Health Care I, Simultaneous Pair
- Includes 8310-877 Header Mount Sensor, 8310-877S Header Mount Spacer, 8310-804-2 (4) Door Mount Sensor (approach/safety side), 8310-847 (2) Harness (Used with Senior Swing only)

NOTE: Not for use with Double Egress



### 8310-3892

#### Safety Sensor Package

- Activation/Safety Sensor Package, Health Care II, Independent Pair, Includes 8310-877 (2) Header Mount Sensor, 8310-877S (2) Header Mount Spacer, 8310-804-2 (4) Door Mount Sensor (approach/safety side), 8310-847 (2) Harness (Used with Senior Swing only)



## Automatic Operator Sensors & Accessories



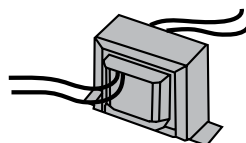
**8310-805**  
Door Position Switch

- Surface mount
- Used when 8310-804-1 or 8310-804-2 Door Mounted Safety Sensor and 8310-845 Relay Module is installed in conjunction w/ either a electrohydraulic, pneumatic or Benchmark Automatic Operator
- Disables approach side sensor when door is closed



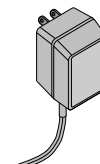
**8310-805C**  
Door Position Switch

- Concealed
- Used when 8310-804-1 or 8310-804-2 Door Mounted Safety Sensor and 8310-845 Relay Module is installed in conjunction w/ either a electrohydraulic, pneumatic or Benchmark Automatic Operator
- Disables approach side sensor when door is closed



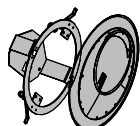
**8310-824**  
Transformer, 24v,

- Hardwired
- Optional accessory - Used to remotely power any 24v sensor/ receiver



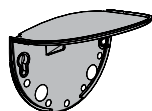
**8310-824P**  
Transformer

- 24v, plug in
- Optional accessory - Used to remotely power any 24v sensor/ receiver



**8310-854ECA**  
Drop Ceiling Bracket

- Bracket used w/ 8310-854 Header Mount Activation Sensor
- Optional



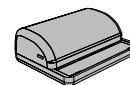
**8310-854ERA**  
Protective Cover

- Cover used w/ 8310-854 Header Mount Activation Sensor
- Optional



**8310-3803**  
Wireless Conversion Kit

- Jamb mount, 3v
- Converts standard jamb actuator to wireless version
- Includes 8310-865 Receiver, 8310-844J (2) Jamb Mounted
- Transmitter - Requires 8310-819S or 8310-819F Jamb Box



**8310-3809**  
Wireless Conversion Kit

- Jamb mount, 9v
- Converts standard wall mount actuator to wireless version
- Includes 8310-865 Receiver, 8310-844 (2) Wall Mount Transmitter
- Requires Surface or Flush Box and Weather Ring



**8310-3889**  
Safety Module Kit

- Used w/ 7901, 7902, 7981, 7982 Control Boxes.
- Includes 8310-3888 Safety Module Harness. Required when 8310-877 Header Mount Safety Sensor is used w/ Pneumatic
- Automatic Operators (2610, 4810, 4820 or 4840 Series)

**8310-3888**  
Harness

- Safety module, service part
- Safety Module Harness for pneumatic control box

## 8310 Series

Auto Operator  
Sensors &  
Accessories

### Automatic Operator Sensors & Accessories



**8310-861**  
Transmitter

- Wireless
- 1 Channel, Handheld, 3v.  
Requires 8310-865 Receiver



**8310-862**  
Transmitter

- Wireless
- 2 Channel, Handheld, 3v.  
Requires 8310-865 Receiver



**8310-863**  
Transmitter

- Wireless
- 3 Channel, Handheld, 3v.  
Requires 8310-865 Receiver



**8310-864**  
Transmitter

- Wireless
- 4 Channel, Handheld, 3v.  
Requires 8310-865 Receiver.



**8310-866**  
Bollard Post

- A powder coated steel  
42" x 4" x 6" Bollard Post,  
Mounting Base and 8310-866CAP
- Actuator cut out accepts  
8310-3853WB or 8310-3853TWB  
wireless actuators 4-3/4" square  
hard wired actuator



**8310-866CAP**  
Bollard Post

- Plastic Cap, Protective Cover,  
Service Part for 8310-866  
Post

## Automatic Operator Actuators & Accessories



### 8310-806K Key Switch

- Type, 3 Position (On/Off/Hold-Open)
- Optional switch used w/ Senior Swing, Benchmark, or 4630/4640 Operators with (CS) option

### 8310-806R Rocker Switch

- Type, 3 Position (On/Off/Hold-Open)
- Optional switch w/ Senior Swing, Benchmark, or 4630/4640
- Operators with (CS) option

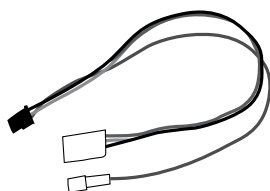
### 8310-807 Line Filter

- AC, 120v, Optional filter used w/ Senior Operators to reduce 'line noise'



### 8310-845 Programmable Relay Module

- Used to sequence door operation in Senior Swing and Benchmark for hard wired applications



### 8310-887 Retrofit Cable

- Allows newer style Senior Swing digital control to be activated by existing switches when replacing older control purchased prior to September, 2006



### 8310-3134 Retrofit Cable Kit

- Allows newer style Senior Swing Digital Control to be activated by existing switches when replacing older control purchased prior to September, 2006.
- Also includes cables to allow Safety Sensors to activate
- Includes 8310-887 plus Safety Sensor Cables

Notes

Lined area for notes.