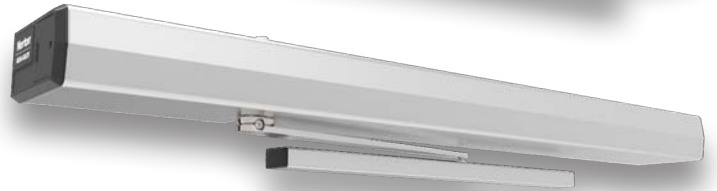
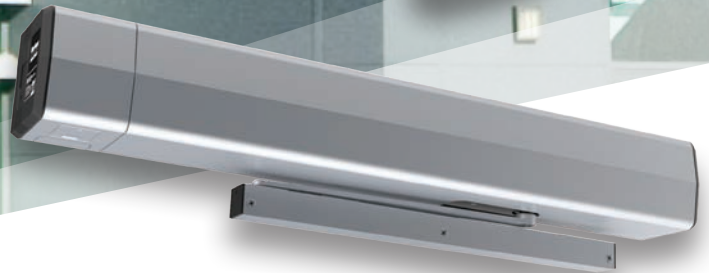




Norton[®]

ASSA ABLOY

Experience a safer
and more open world



Control for any application

**OPERATORS
CATALOG**

TABLE OF CONTENTS

[Introduction, Operator Selection Guide](#) 3

ELECTROHYDRAULIC:

6000 Series

[Introduction, Features](#) 4

[Functions, Electrical Data, Certifications](#) 5

[Specifications](#) 6

[Applications](#) 7

[Door Opening Examples](#) 8

[Operator Details](#) 9

[Technical Information, Cover Dimensions](#) 10

[Parts List](#) 11-12

[How to Order](#) 13

5700 Series

[Introduction, Features, Benefits, Patents](#) 14

[Functions, Electrical Data, Certifications, Specifications](#) 15

[Applications](#) 16

[Kits](#) 17

[Parts List](#) 18-19

[How to Order](#) 20

5500 Series

[Introduction, Features, Benefits, Patent](#) 21

[Applications](#) 22

[Parts List](#) 23

[Arm and Track Assemblies](#) 24

[How to Order](#) 25

ELECTROMECHANICAL:

6300 Series

[Introduction, Functions](#) 26

[Functions](#) 27

[Electrical Data, Certifications, Specifications](#) 28

[Applications](#) 29

[Product Comparison, Technical Information](#) 30

[Kits](#) 31

[Parts List](#) 32

[How to Order](#) 33

5800 Series

[Introduction, Features, How it Works](#) 34

[Functions, Certificates](#) 35

[Specifications](#) 36

[Product Descriptions](#) 37

[Kits](#) 38

[Wireless Interface Module \(WIM\)](#) 39

[Technical Information](#) 40

[Trash Room Doors](#) 41-42

[Parts List](#) 43

[How to Order](#) 44

5600 Series

[Introduction, Features](#) 45

[Functions, Electrical Data, Certifications, Specifications](#) 46

[Applications](#) 47

[Kits](#) 48

[Parts List](#) 49

[How to Order](#) 50

[Accessories](#) 51-56

[Product Comparison](#) 57

[Door Usage Guidelines](#) 58

LOW ENERGY OPERATORS

INTRODUCTION

The Norton portfolio of low energy door operators offers a broad range of functions for all ranges of low- to high-use openings, to serve the specific needs of virtually any swing door application. These functions, combined with robust construction and testing, and additional user safety features ensure facilities comply with strict codes while reaping the benefits of a long-term life of reliable operation.

To deliver the highest quality of product, Norton designs, assembles, tests and ships out all door operators from its state-of-the-art manufacturing facility in Monroe, North Carolina.

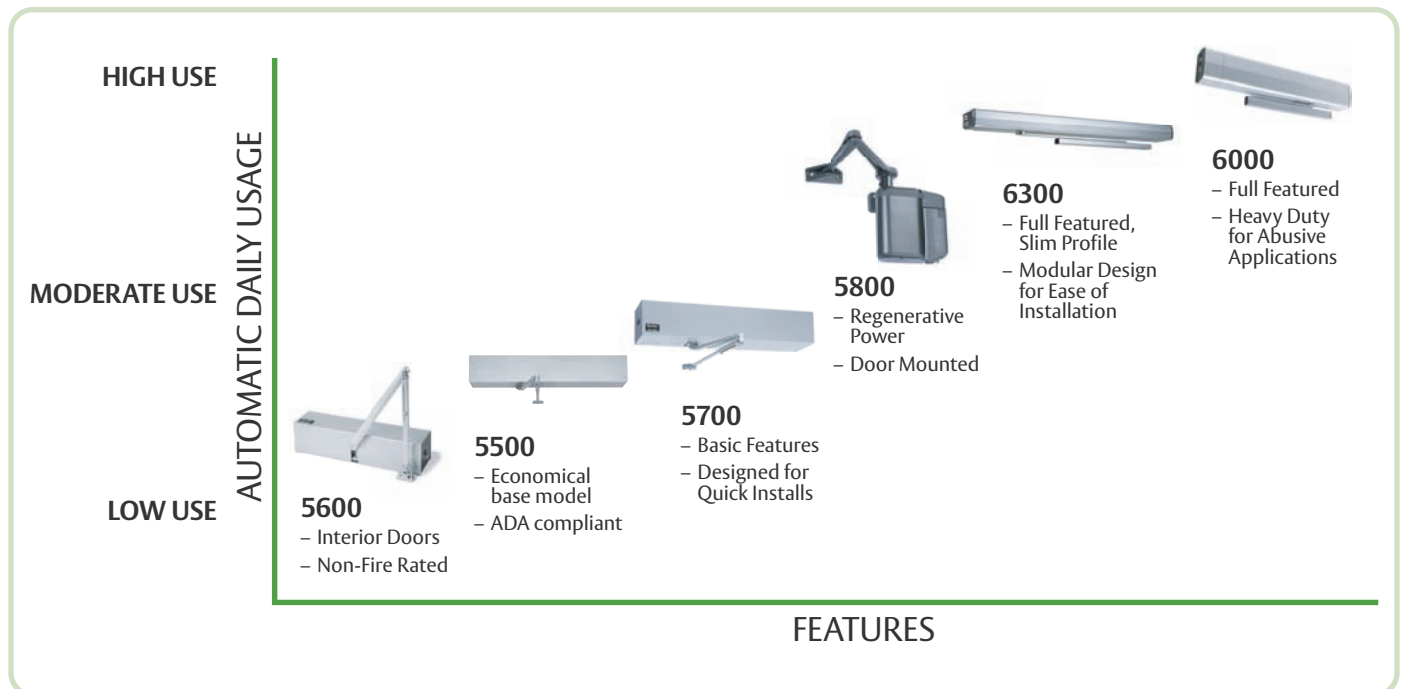
Electrohydraulic

- » Electrohydraulic low energy operators incorporate a door closer for smooth reliable door control
- » These units are used in applications where doors are typically operated manually, but can also be activated via wall switches, motion sensors, etc., for automatic operation

Electromechanical

- » Electromechanical low energy operators feature a motor and gearbox for consistent automatic operation
- » These units are used in applications where automatic mode (activated by wall switches, motion sensors, etc.) is the primary function

OPERATOR SELECTION GUIDE



INTRODUCTION

The 6000 Series low energy operator is a heavy-duty unit designed for rigorous, high-use applications. Built-in intelligence enables the operator to safeguard users while providing better door control. Simple installation and adjustment features combined with the unit's high level of versatility allows for seamless integration with a multitude of facilities and systems.



FEATURES

- » Push or pull side mounting
- » Non-handed
- » Modular design for one person install
- » Full cover option on double/pair of doors
- » 1.3A onboard power supply
- » Activated by push button, hands-free, and RF devices
- » Door width: 36"-48"
- » Operates as a mechanical surface closer when power is off
- » On board electronics collect usage and cycle count data to facilitate preventative maintenance/diagnostics
- » 2 year limited warranty


FUNCTIONS

- » Adjustable Hold Open
 - › Amount of time a door will stay in the full open position after an activation
- » Blow open for smoke ventilation
 - › Door opens when signal is received from alarm system allowing air or smoke to flow through opening.
 - › Door will stay open until signal from alarm system is stopped
- » Infinite Hold Open
 - › Door will hold open at set position until power is turned off
- » Obstruction Detection
 - › Open: door closes if it hits an obstruction while opening
 - › Close: door reopens (once) if it hits an obstruction while closing. If it hits the obstruction again, the door will rest against the obstruction until it is removed
- » Open Delay
 - › Delays operator opening for locking hardware
- » Overload Safety Shut-Off
 - › After 3 minutes of receiving a door activation signal, inverter times out and door closes
 - › Prevents motor/inverter damage
- » Presence Detector Input
 - › Input for external sensor to detect presence at door open or close position only
- » Push & Go
 - › As the door is manually opened, the operator "senses" movement and opens door to the full-open position
- » Selector mode switch
 - › Off - Disables signal inputs unless Blow Open is activated
 - › On - Activates signal inputs
 - › Hold Open - Activates the unit (unless blow closed is activated on 6300) to the hold open position
- » Two Selectable Output relay
 - › Multi-function relay outputs
- » Vestibule Delay
 - › When the push button is pressed, first door in vestibule will open. Second door will open once vestibule door delay has expired. Delay is adjustable.

ELECTRICAL DATA

- » Power input 120 VAC, 60 Hz (+10%, -15%)
- » Current draw 0.9A (single), 1.8A (double)
- » Auxiliary output 24 VDC @ 1.3A
- » SPDT relay output for controlling electric strikes or electric locks not to exceed 1 amp @ 30 VDC

CERTIFICATIONS

- » ANSI/BHMA A156.19 certified 
- » ETL tested to UL / cUL standards for automatic doors used on fire and smoke barrier doors and CSA C22.2 No. 247 for operators and systems of doors
- » UL10C listed for positive pressure fire test
- » Comply with requirements for the Americans with Disabilities Act (A.D.A)
- » California State Fire Marshall Listing 3266-0944:0110
- » Manufactured in an ISO 9001 and ISO 14001 facility
- » Verified by Green Circle to offer the following energy savings as compared to similar products:
 - » 19% efficiency
- » Health product declaration and UL certified environmental product declaration



ARCHITECTURAL SPECIFICATIONS

General Specifications

Door Controls (interior)(exterior) swinging door(s) shall be of rack and pinion design contained within a precision cast aluminum housing. Door closing force shall be adjustable to ensure adequate closing control. Door closing speed shall be controlled by independent hydraulic adjustment valves in the sweep and latch range of the closing cycle. Door Operator shall provide conventional door closer opening and closing forces unless the power operator motor is activated. Door Operator opening force and speed shall be adjustable in the inverter/interface module's LCD screen to ensure adequate opening control per accessibility codes. Door Operator shall have an adjustable hydraulic back-check valve to cushion the door speed if opened violently. Door Operator shall utilize the inverter/interface module's LCD screen and joystick to establish door closed and open positions. [(Door Operator shall be AUTOMATICALLY ACTIVATED by either a slight push or pull in the direction of opening swing – Push & Go.) (Door Operator shall be SELECTIVELY ACTIVATED by external initiating device, i.e. wall switch, etc.) (Door Operator shall be both AUTOMATICALLY ACTIVATED and SELECTIVELY ACTIVATED.)] Unit shall include "E-saver" feature to automatically recognize abled body traffic and immediately trigger door to close after sensing no forces on door. Unit shall have delay for motor activation, electric lock interfacing, and hold open time. Units shall have SPDT relay for interfacing latch retraction exit devices or similar products and have 24VDC @ 1.3A output for connection of electric strike, lock, radio frequency receiver, etc. Units shall have Vestibule sequencing input for operation of two or more units. Unit shall have smoke ventilation inputs to power open doors when activated by fire or smoke alarm. Unit shall have a three-position Selector Mode Switch that will permit the unit to be switched "ON" to monitor for function inputs, switched to "H/O" for indefinite hold open function or switched "OFF" which will disable function inputs allowing unit to be used as a manual door closer. Unit shall be ETL tested to UL standards for automatic closing door. The Unit shall be adjustable to provide compliance with the requirements of the Americans With Disabilities Act (ADA). Unit shall be certified by BHMA to meet ANSI A117.1 and A156.19 requirements. Unit shall meet UL, cUL, UL10C and UL10B standards.

2 year limited warranty.

Additional Specifications for Functions

For Power Operator Function:

When activated, the unit shall, by means of a motor, chain and closer, power open the door at both a speed and force that are adjustable to accessibility codes. The door shall be powered from a door closed position to a full door open position and remain in momentary hold open for 5 seconds minimum (adjustable 0 to 30 seconds in 1 second increments). [(Unit shall power open door to full open position up to 110°.) (Unit shall be capable of opening door manually from 110° – 180°.)] Once unit reaches full hold open position, if reinitiated, unit's momentary hold open time shall restart from the maximum set time. If unit is initiated during the closing cycle, unit shall revert to opening cycle beginning at that door position. Unit shall have a toggled hold open input that upon first initiation will power door to a maintained hold open position; a second initiation will allow door to close. Unit shall have obstruction detection on closing, which will reverse the closing door to the full open position then re-attempt to close door after momentary hold open time has elapsed. Obstruction detection on opening shall shut motor off, allowing door to close under spring force. These obstruction detection features shall be integral to unit. During closing cycle, the unit shall close door under full spring power not to exceed a closing force of 15 lbf.

6000 SERIES
LOW ENERGY POWER OPERATOR

APPLICATIONS

6011 Shown

HINGE (PULL) SIDE OF DOOR
RIGID ARM AND SLIDE TRACK



6031 Shown

STOP (PUSH) SIDE OF DOOR
STANDARD-DUTY DOUBLE LEVER ARM



D6011-36 Shown

DOUBLE DOOR (PAIR)
RIGID ARM AND SLIDE TRACK



6061 Shown

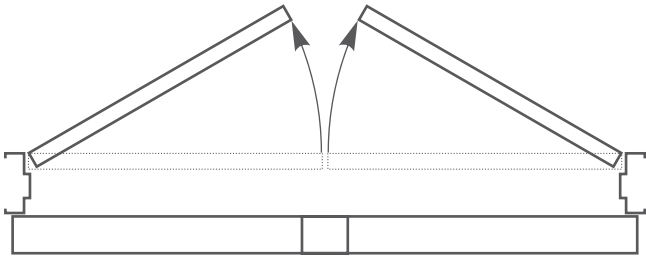
STOP (PUSH) SIDE OF DOOR
HEAVY-DUTY DOUBLE LEVER ARM



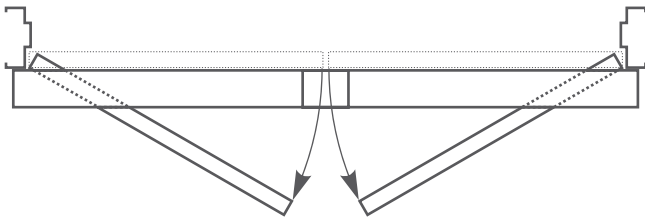
Model	Mounting			Arms			
	Pull Side	Push Side	Double Egress	Rigid Arm & Slide Track	Double Egress & Slide Track	Standard-Duty Double Lever	Heavy-Duty Double Lever
6011, D6011	•			•			
6051, D6051	•				•		
6021, D6021		•				•	
6031, D6031		•				•	
6061, D6061		•					•
6071, D6071		•					•
D6001DE			•		•		•
D6001DE1			•		•		•
D6001DE2			•		•		•

For application assistance, Norton offers complete services from specifying product to engineering a door system which includes riser and wiring diagrams. Consult Norton Technical Product Support for additional information.

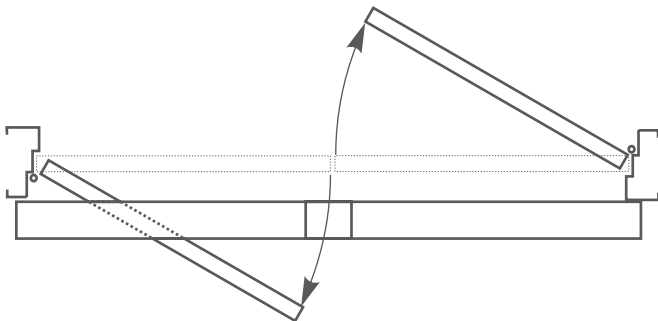
DOOR OPENING EXAMPLES



D6021/D6031/D6061/D6071 Series
Operator mounted on Push Side
Left Hand/Right Hand Outswing Doors



D6011/D6051 Series
Operator mounted on Pull Side
Left Hand/Right Hand Inswing Doors

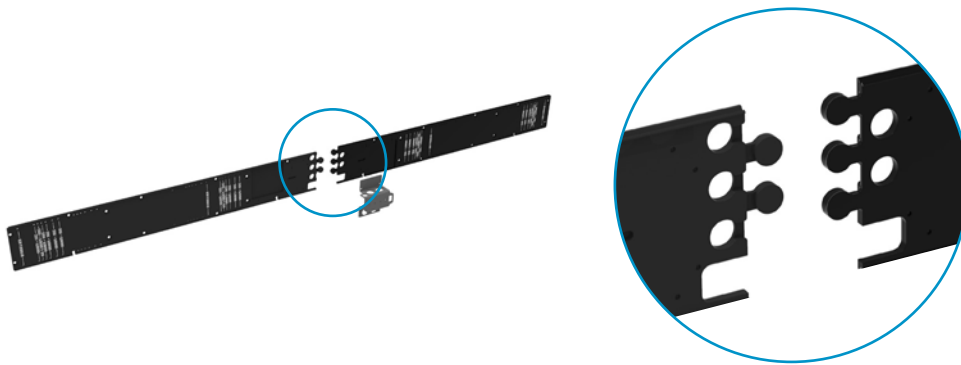


D6001DER (Right Hand)
D6001DEL (Left Hand)
Right or Left Hand Double Egress Doors
(Right hand doors illustrated)

6000 SERIES LOW ENERGY POWER OPERATOR

OPERATOR DETAILS

Heavy Duty Back Plates (Double Door Shown)



Back plates interlock and attach with a conduit assembly to provide strength and durability

Cover Union - Double and Single Doors



The 3-position switch (ON/OFF/HOLD OPEN) is easily accessible via a "door" on the cover union. The door is located in the middle for double doors and on the end for single doors.

End Cap



If needed, spring adjustment is accessible through the door on the end cap. Door can be "locked" with a screw for security.

TECHNICAL INFORMATION

Single and Double Doors					
Models	Minimum Frame Height	Minimum Top Rail (Door)	Minimum Door Width	Door Opening	Frame Reveal
6011, D6011	2" (51mm)	1-3/4" (44mm)	36"	85° to 110° (5° increments)	1/8" (3mm)
6051, D6051		2-3/8" (60mm)			1/8" to 3" (3 - 76mm)
6021, D6021	1-1/2" (38mm)	1-7/8" (48mm)		Up to 110°	2-3/4" to 6-7/8" (70 - 175mm)
6031, D6031				From 110° to 180°	
6061, D6061		2-3/16" (56mm)		85° to 110° (5° increments)	2-1/4" to 4-3/4" *(57 - 121mm)
6071, D6071					4-13/16" to 7-3/8" (122 to 187mm)

Double Egress Applications					
Models	Minimum Frame Height	Minimum Top Rail (Door)	Minimum Door Width	Door Opening	Frame Reveal
D6001DE	2" (51mm)	2-3/8" (60mm)	36"	Up to 110°	2-1/4" to 3" (57-76mm)
D6001DE1					3-1/16" to 4-3/4" (77-121mm)
D6001DE2					4-13/16" to 7" (122-178mm)

Notes:

- » Auxiliary stops are recommended for the models 6011, 6051, D6011, D6051 and D6001DE pull side and required for models 6021, 6031, D6021 and D6031.
- » Models 6061, 6071, D6061, D6071 and D6001DE push side have a spring buffered stop in the arm shoe assembly.
- » Models 6011, 6051, D6011, D6051 and D6001DE pull side have a buffered stop assembly in the slide track.
- » Drop applications are needed if the required ceiling clearance is less than 5". Available for models 6021, 6031, 6061, 6071, D6021, D6031, D6061 and D6071. Suffix D to model number when ordering.

*Reveals less than 2-1/4" (57mm) may be achieved by field cutting the adjusting rod.

COVER DIMENSIONS

Single & Double Covers:

Projection: 4-3/4" (121mm)

Height: 5-3/16" (132mm)

Overall Lengths:

Single: 37-1/2" (95.3cm)

Double 36: 74-1/4" (188.6cm)

Double 38: 78-1/4" (198.8cm)

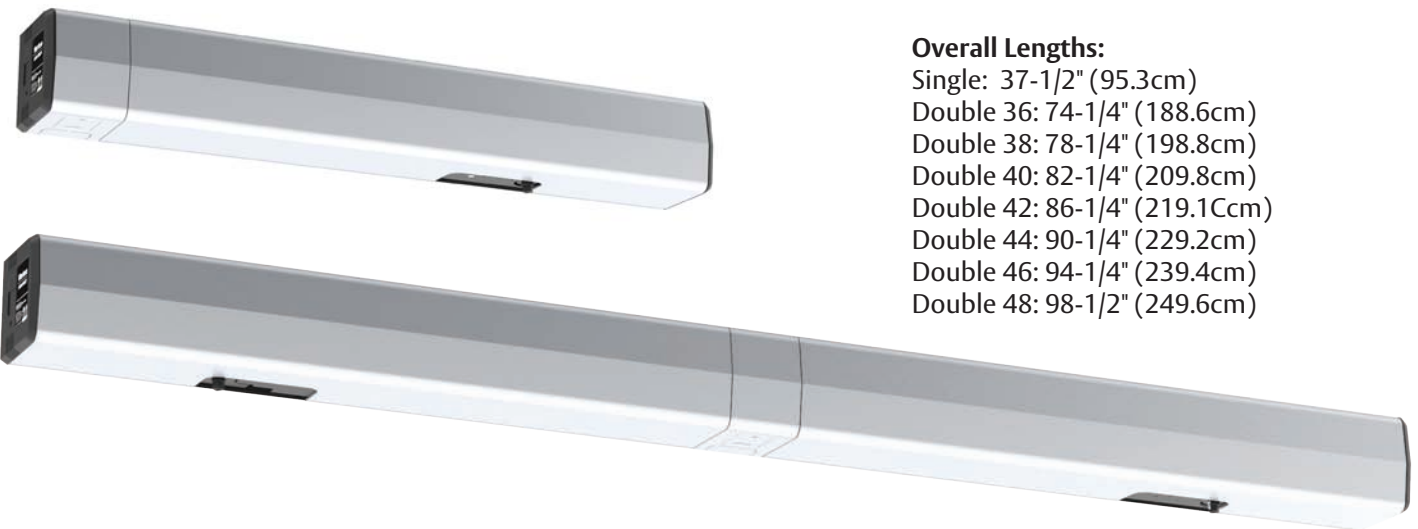
Double 40: 82-1/4" (209.8cm)

Double 42: 86-1/4" (219.1cm)

Double 44: 90-1/4" (229.2cm)

Double 46: 94-1/4" (239.4cm)

Double 48: 98-1/2" (249.6cm)



PARTS LIST

Arm and Track Assemblies



- 6610-1** Arm and Track Assembly
- 7210-1A** Arm Assembly
- 7200-1T** Track Assembly



- 6660-1** Arm Assembly
- 6660-11** Rod & Snubber Assembly



- 6020-1** Arm Assembly
- 6020-1W** Main Arm & Rod
- 6620-12** Adjusting Tube & Shoe



- 6670-1** Arm Assembly
- 6670-11** Rod & Snubber Assembly



- 6030-1** Arm Assembly
- 6030-1W** Main Arm & Rod
- 6620-12** Adjusting Tube & Shoe



- 6061-1** Unitrol® Arm Assembly
- 6660-11** Rod & Snubber Assembly
- 6071-1** Unitrol Arm Assembly - Deep Reveal
- 6670-11** Rod & Snubber Assembly



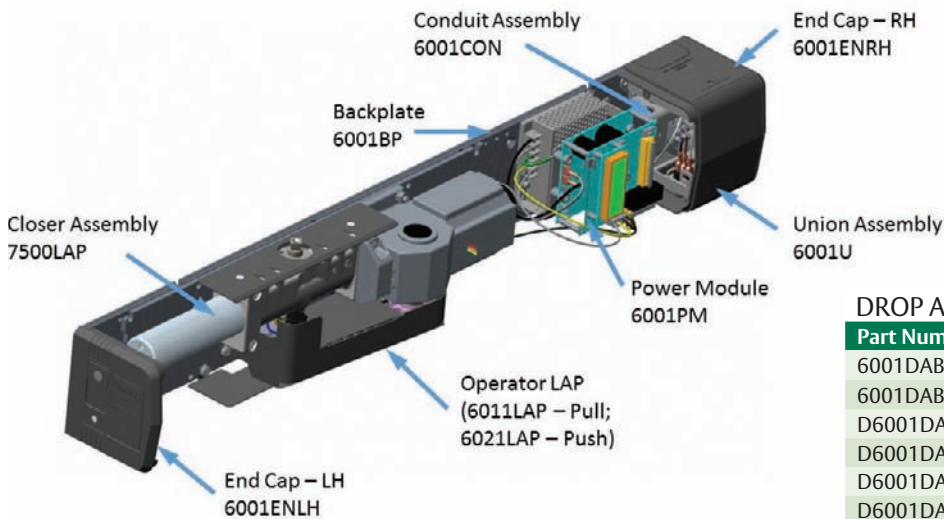
Left hand shown

- 6050-1L** Arm and Track Assembly (LH)
- 6050-1R** Arm and Track Assembly (RH)
- 6051-1L** Arm and Track Assembly - Deep Reveal (LH)
- 6051-1R** Arm and Track Assembly - Deep Reveal (RH)
- 6051-11L** Arm Assembly - Deep Reveal (LH)
- 6051-11R** Arm Assembly - Deep Reveal (RH)
- 7250-1L** Arm Assembly (LH)
- 7250-1R** Arm Assembly (RH)
- 7200-1T** Track Assembly

REPLACEMENT PARTS FOR MODELS ENDING IN "0" i.e. 6010, 6030, etc.

Part Number	Description
H6010LAP	6010, 6050 Unit Sub-Assembly
H6020LAP	6020, 6030, 6060, 6070 Unit Sub-Assembly
6000IN	Inverter
H6000COV	Cover
5700SW	On/Off Switch
6000DAB	Drop Angle Bracket
6000DAB180	Drop Angle Bracket - 180° Swing
6000CB	Circuit Breaker
6000SUP	Power Supply
6000SEC	Security Plate Pack
6000SFB	Aluminum Storefront Bracket
SP6000	Screw Pack

PARTS LIST - SINGLE UNIT SHOWN



UNIT SUB-ASSEMBLY

Part Number	Description
6011LAP**	6011, 6051 Unit Sub-Assembly
6021LAP**	6021, 6031, 6061, 6071 Unit Sub-Assembly

COVERS, BACK PLATES

Part Number	Description
6001COV	Cover - Single
D6001COV-36	Cover - Double 36"
D6001COV-38	Cover - Double 38"
D6001COV-40	Cover - Double 40"
D6001COV-42	Cover - Double 42"
D6001COV-44	Cover - Double 44"
D6001COV-46	Cover - Double 46"
D6001COV-48	Cover - Double 48"
6001BP	Back Plate - Single
D6001BP-36-LH	Back Plate - Double 36" - Left Hand
D6001BP-36-RH	Back Plate - Double 36" - Right Hand
D6001BP-38-LH	Back Plate - Double 38" - Left Hand
D6001BP-38-RH	Back Plate - Double 38" - Right Hand
D6001BP-40-LH	Back Plate - Double 40" - Left Hand
D6001BP-40-RH	Back Plate - Double 40" - Right Hand
D6001BP-42-LH	Back Plate - Double 42" - Left Hand
D6001BP-42-RH	Back Plate - Double 42" - Right Hand
D6001BP-44-LH	Back Plate - Double 44" - Left Hand
D6001BP-44-RH	Back Plate - Double 44" - Right Hand
D6001BP-46-LH	Back Plate - Double 46" - Left Hand
D6001BP-46-RH	Back Plate - Double 46" - Right Hand
D6001BP-48-LH	Back Plate - Double 48" - Left Hand
D6001BP-48-RH	Back Plate - Double 48" - Right Hand

DROP ANGLE, TRANSOM BRACKETS

Part Number	Description
6001DAB	Drop Angle Bracket - Single 36"
6001DAB2	Drop Angle Bracket - Single 38" and up
D6001DAB-36	Push Drop Angle Bracket - Double 36"
D6001DAB-38	Push Drop Angle Bracket - Double 38"
D6001DAB-40	Push Drop Angle Bracket - Double 40"
D6001DAB-42	Push Drop Angle Bracket - Double 42"
D6001DAB-44	Push Drop Angle Bracket - Double 44"
D6001DAB-46	Push Drop Angle Bracket - Double 46"
D6001DAB-48	Push Drop Angle Bracket - Double 48"
6011TAB-1	Pull Transom Single 36"
6011TAB-2	Pull Transom Single 38" and up
D6011TAB-36	Pull Transom Double 36"
D6011TAB-38	Pull Transom Double 38"
D6011TAB-40	Pull Transom Double 40"
D6011TAB-42	Pull Transom Double 42"
D6011TAB-44	Pull Transom Double 44"
D6011TAB-46	Pull Transom Double 46"
D6011TAB-48	Pull Transom Double 48"
6021TAB-1 Push	Transom Single 36"
6021TAB-2	Push Transom Single 38" and up
D6021TAB-36	Push Transom Double 36"
D6021TAB-38	Push Transom Double 38"
D6021TAB-40	Push Transom Double 40"
D6021TAB-42	Push Transom Double 42"
D6021TAB-44	Push Transom Double 44"
D6021TAB-46	Push Transom Double 46"
D6021TAB-48	Push Transom Double 48"

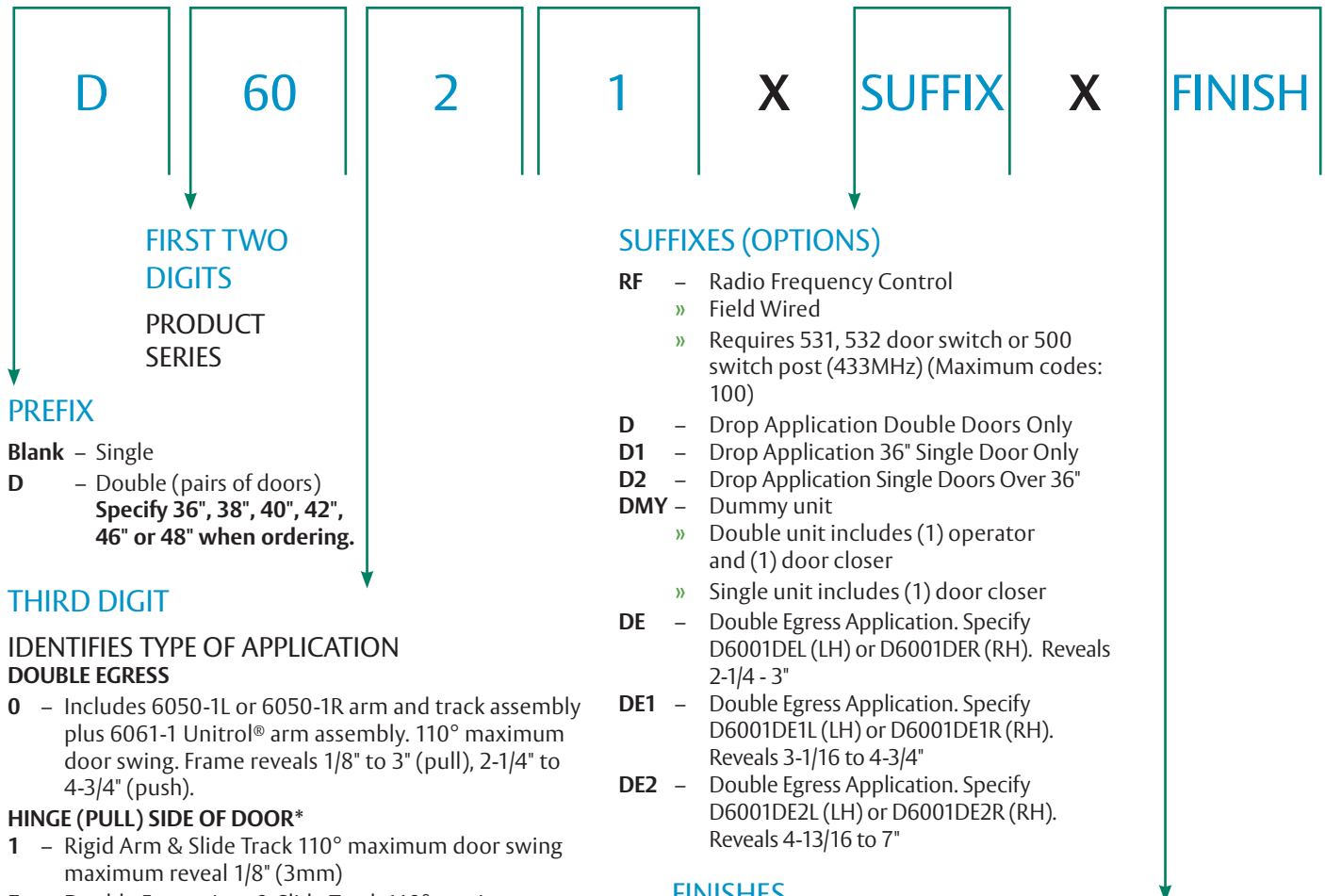
MISCELLANEOUS PARTS

Part Number	Description
6001PM	Power Module Sub Assembly
6001U	Union - Single
D6001U	Union - Double
6001US	Union Spacer
6001SK	Shim Kit [^]
5700SW	On/Off Switch
6000CB	Circuit Breaker
6000MS	Motor Support
6001SC-1	Screw Pack - Back Plate
6001SC-2	Screw Pack - Standard
D6001SYNC	Sync Cable

**Part Numbers may differ based on legacy models. Contact Norton Technical Product Support to verify for accuracy based on unit on hand.

[^] Shim kit supplied standard. Kit includes (6) 1/16", (6) 1/8", and (12) 1/4" shims.

HOW TO ORDER



PREFIX

- Blank** – Single
- D** – Double (pairs of doors)
Specify 36", 38", 40", 42", 46" or 48" when ordering.

THIRD DIGIT

IDENTIFIES TYPE OF APPLICATION
DOUBLE EGRESS

- 0** – Includes 6050-1L or 6050-1R arm and track assembly plus 6061-1 Unitrol® arm assembly. 110° maximum door swing. Frame reveals 1/8" to 3" (pull), 2-1/4" to 4-3/4" (push).

HINGE (PULL) SIDE OF DOOR*

- 1** – Rigid Arm & Slide Track 110° maximum door swing maximum reveal 1/8" (3mm)
- 5** – Double Egress Arm & Slide Track 110° maximum door swing for reveals 1/8" to 3" (3 to 76mm) (specify hand when ordering)

STOP (PUSH) SIDE OF DOOR

- 2** – Standard-Duty Double Lever Arm 110° maximum door swing. Reveals 2-3/4" to 6-7/8" (70 to 175mm).
 - 3▲** – Standard-Duty Double Lever Arm 180° maximum door swing. Reveals 2-3/4" to 6-7/8" (70 to 175mm).
 - 6♦** – Heavy-Duty Double Lever Arm 110° maximum door swing. Reveals 2-1/4" to 4-3/4" (57 to 121mm).
 - 7** – Heavy-Duty Double Lever Arm 110° maximum door swing. Reveals 4-13/16" to 7-3/8" (122 to 187mm).
- ▲ Models will be power operated to 110° but can be manually opened to 180°
- ♦ Reveals less than 2-1/4" (57mm) may be achieved by field cutting the adjusting rod

*Consult Technical Support Department when door is hung on offset pivots

SUFFIXES (OPTIONS)

- RF** – Radio Frequency Control
 - » Field Wired
 - » Requires 531, 532 door switch or 500 switch post (433MHz) (Maximum codes: 100)
- D** – Drop Application Double Doors Only
- D1** – Drop Application 36" Single Door Only
- D2** – Drop Application Single Doors Over 36"
- DMY** – Dummy unit
 - » Double unit includes (1) operator and (1) door closer
 - » Single unit includes (1) door closer
- DE** – Double Egress Application. Specify D6001DEL (LH) or D6001DER (RH). Reveals 2-1/4 - 3"
- DE1** – Double Egress Application. Specify D6001DE1L (LH) or D6001DE1R (RH). Reveals 3-1/16 to 4-3/4"
- DE2** – Double Egress Application. Specify D6001DE2L (LH) or D6001DE2R (RH). Reveals 4-13/16 to 7"

FINISHES

Description	Specify Norton Designation (BHMA)	Complements the following finishes	Old Designation
Aluminum	689	628, 625, 629, 630, 651	AL
Statuary Bronze	690	640, 613	STAT
Black Suede	BSP	—	—
White Suede	WSP	—	—

Ordering Examples:

- 6021RF x 689
- D6021-36 x 689
- D6021-36RF-D x 689
- D6001DEL-36 x 689
- D6001DE1R-48 x 690

INTRODUCTION

A reliable ADA solution comprising Norton's heavy-duty 1601 door closer. The use of a hydraulic closer ensures quiet and consistently smooth operation, ideal in applications where doors are typically operated manually but can also be activated via wall switches for automatic operation. The 5700 offers basic automated door functions and is designed for quick set-up, making it easy to specify and install.

FEATURES

- » Non-handed
- » Push or pull side mounting
- » Comprises heavy-duty Norton 1601 door closer
- » Door widths: 28"-48"
- » Optional kit includes push buttons and plug-in power cord
- » Operates as mechanical surface close during close cycles, when door is opened manually or if power is off
- » Spring force provides the feel of a manual door closer
- » Door can be opened manually if desired
- » Adjustable spring power
- » Backcheck valve
- » Sweep valve & latch valve
- » Unit activation options:
 - › Wall switches
 - › Radio frequency device
- » End-user on/off switch
- » Adjustable door sensitivity
- » Onboard power supply for accessories: 24VDC (1.1A)



BENEFITS

- » Basic features simplify product choice
- » Designed for quick installation, setup and adjustments
- » Hydraulic closer offers quiet and smooth operation

PATENTS

- » United States: 5,881,497, 7,316,096 and 7,484,333
- » Canada: 2,568,877



FUNCTIONS

- » Adjustable Hold Open
 - › Amount of time a door will stay in the full open position after an activation
- » Obstruction Detection
 - › Motor stops if door is obstructed during opening; door closes
- » On/Off Switch
 - › Disables operator activation
- » Open Delay
 - › Delays operator opening for locking hardware
- » Overload Safety Shut-Off
 - › After 2 minutes of receiving a door activation signal, inverter times out and door closes
 - › Prevents motor/inverter damage

ELECTRICAL DATA

- » Power input; 120 VAC, 60Hz
- » Relay output: SPDT
 - › Normally open/normally closed (jumper)
 - › For electric strike function

CERTIFICATIONS

- » ANSI/BHMA A156.19 certified 
- » Meets ANSI/BHMA A156.4 requirements
- » UL / cUL listed for use on fire rated doors 
- » UL10C listed for positive pressure fire test
- » Manufactured in an ISO 9001 and ISO 14001 certified facility
- » Complies with requirements for the Americans with Disabilities Act (A.D.A)

SPECIFICATIONS

Door Controls_____ (interior) (exterior) swinging door(s) shall be of rack and pinion design contained within a precision cast aluminum housing. Door closing force shall be adjustable to ensure adequate closing control. Door closing speed shall be controlled by independent hydraulic adjustment valves in the sweep and latch range of the closing cycle. Door Operator shall provide conventional door closer opening forces unless the power operator motor is activated. Door Operator shall provide conventional door closing forces at all times except in the event of power outage during powered door open cycle. Door Operator opening force and speed shall be adjustable by independent electronic adjustment to ensure adequate opening control per accessibility codes. Door Operator shall have an adjustable hydraulic backcheck valve to cushion the door speed if door is opened violently. Door Operator shall have a manual adjustment to locate both full open and full closed door positions. Maximum door open shall be adjustable and capable to a maximum 180° conditions permitting. [(Door Operator shall be AUTOMATICALLY ACTIVATED, i.e., motion sensor.) (Door Operator shall be SELECTIVELY ACTIVATED by external initiating device, i.e., wall switch, etc.) (Door Operator shall be both AUTOMATICALLY ACTIVATED and SELECTIVELY ACTIVATED.)] Door operator shall have adjustable hold open time capability in range from 5 to 30 seconds. Door operator shall have input line rating of 120VAC, .6A or 240VAC, .3A. Units shall have relay contact for interfacing products having a contact rating of 30VDC at 1A or 125VAC at .5A. Unit shall have an external On/Off Switch to defeat powered opening when desired. Unit shall have an internal circuit breaker switch to interrupt input power for servicing. Unit shall be U.L. Listed for automatic closing door. Unit shall be in compliance with the requirements of the Americans With Disabilities Act (ADA), ANSI standards A117.1 and A156.19. Unit shall meet C-UL US.

ADDITIONAL DETAILED SPECIFICATIONS:

When activated, the unit shall, by means of an integral motor and chain drive, power open the door at both a speed and force that are adjustable to meet accessibility codes. The door shall be powered from a door closed position to a full door open position and remain in momentary hold open for ___seconds (adjustable 0 to 30 seconds) [(Unit shall power open door to full open position up to 180° (5710); 170° (5730), conditions permitting.) (Unit shall be capable of allowing the door to be opened manually from 0 to 180°, conditions permitting.)] Once unit reaches full hold open position, if reinitiated, unit's momentary hold open time shall restart from the initially set hold open time. If unit is initiated during the closing cycle, unit shall revert to opening cycle beginning at that door position. Obstruction detection on open shall neutralize and reverse motor action reverting motor to closed position thus allowing door to close under closer spring force only. This obstruction detection feature shall be integral to unit. During closing cycle, the unit shall close door under spring power not to exceed a closing force of 15 lbf.

APPLICATIONS

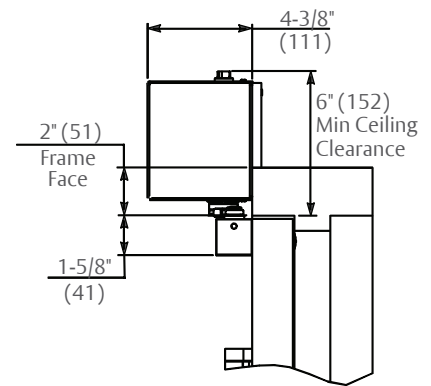
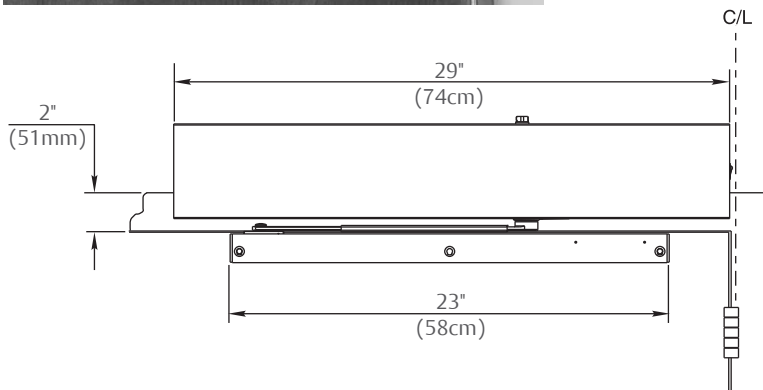
5700 SERIES



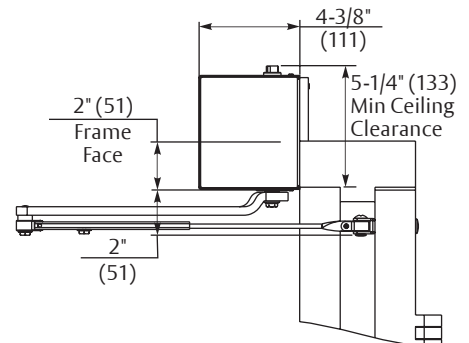
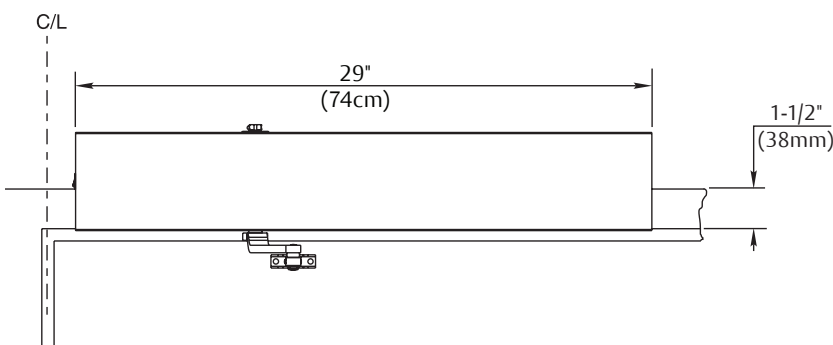
- 5710
HINGE (PULL) SIDE OF DOOR**
- » Adjustable Stop
 - » 110° swing (trim permitting)

Minimum Door width
Single Door – 29" (74cm)
Pair of Doors – 30" (76cm)

An auxiliary stop is suggested where severe conditions exist.



- 5730
STOP (PUSH) SIDE OF DOOR**
- Standard Duty Double Lever Arm
- » Frame reveals 2-5/8" to 6-3/4" (67-171mm)
 - » An auxiliary door stop is required for these applications.
 - » 170° swing (trim permitting)



5700 SERIES
LOW ENERGY OPERATOR

5700 KITS

Universal Kits



5740

Kit Includes:

- » Operator
- » Cover
- » Push and Pull Arms

Hands-Free Kits



5740K2

Kit Includes:

- » Operator
- » Cover
- » Push and Pull Arms
- » (2) 700 Wave-to-Open Switches
- » 5700PC Power Cord

ADA Kits

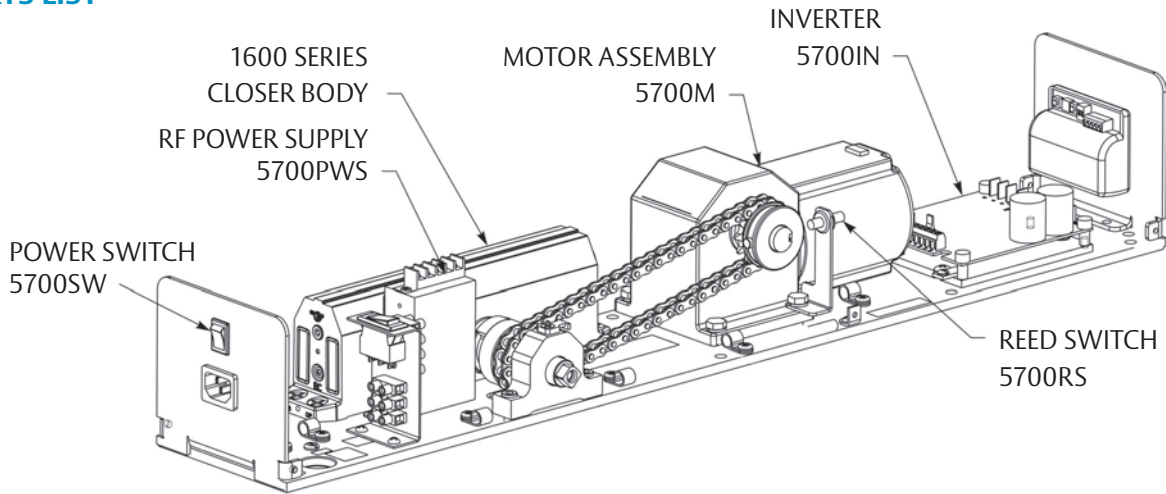


5740K3

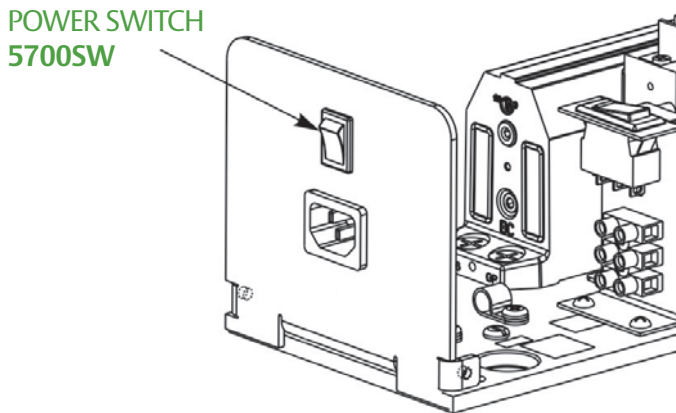
Kit Includes:

- » Operator
- » Cover
- » Push and Pull Arms
- » (2) ADA1019-1 Switches
- » (2) 548 Transmitters
- » 539 Receiver
- » 5700PC Power Cord

PARTS LIST



Part #	Description
5700CVR	Cover



POWER CORD
5700PC



(125V / 10A RATED 18AWG 18 INCHES MAX., NEMA 5-15P AND IEC320-C13 CONNECTORS CORD MUST BE UL LISTED.)

POWER CORD INPUT
Factory prepped and installed receptacle

NOTE: Consult local authority having jurisdiction to confirm use of power cord is acceptable. Operator must be furnished with the power cord from the factory. Power cords cannot be added to operators in the field. Maximum distance from operator to receptacle is 15".

ARM AND TRACK ASSEMBLIES

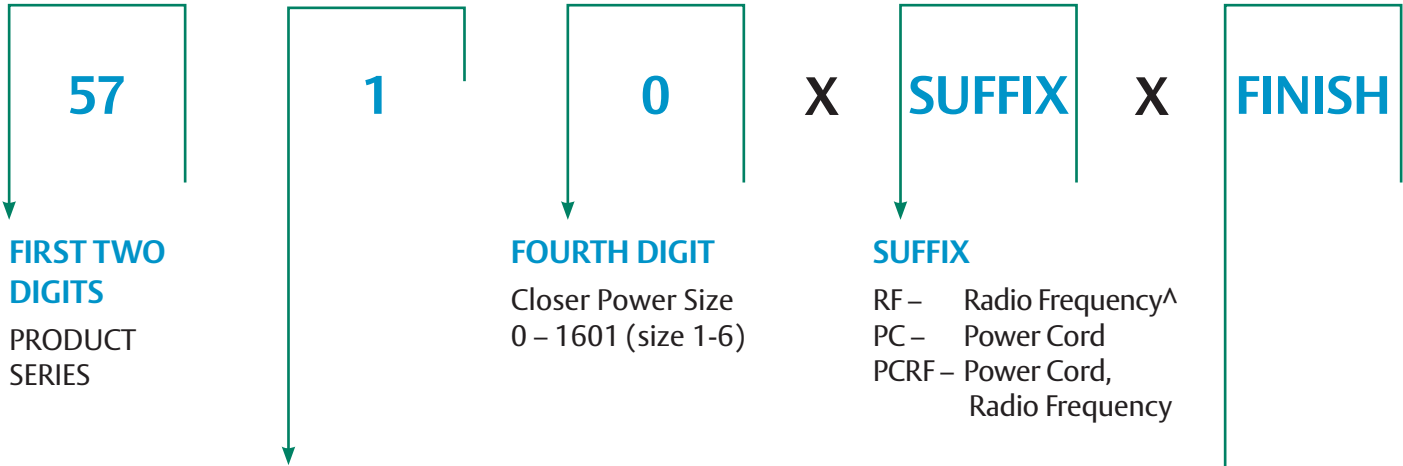


- 5710-1** - Arm and Track Assembly
- 7701ST-1A** - Arm Assembly
- 7200-1T** - Track Assembly



- 7701-1A** - Arm Assembly
- 7701-1W** - Main Arm & Rod
- 7701-11A** - Adjusting Tube & Shoe

HOW TO ORDER



THIRD DIGIT
Identifies Type of Application

HINGE (PULL) SIDE OF DOOR

1 – Rigid Arm & Slide Track
Max reveal 1/8" (3mm)

STOP (PUSH) SIDE OF DOOR

3 – Double Lever Arm
Minimum reveal: 2-5/8" (67)
Maximum reveal: 6-3/4" (171)

UNIVERSAL UNIT – PUSH OR PULL SIDE MOUNTING

4 – Includes push and pull arms. Units shipped as a Rigid Arm/Slide Track; can be converted to a Double Lever Arm in field

Description	Specify Designation (BHMA)	Complements the following finishes	Old Designation
Aluminum	689	628, 625, 629, 630, 651	AL
Statuary Bronze	690	640, 613	STAT
Black Suede Powder	BSP	—	—
White Suede Powder	WSP	—	—

^ Actuators not supplied with RF.
See page 17 for Kits.

INTRODUCTION

A reliable ADA solution comprising Norton's heavy-duty 1601 door closer. The use of a hydraulic closer ensures quiet and consistently smooth operation, ideal in applications where doors are typically operated manually but can also be activated via wall switches for automatic operation. The 5500 offers basic automated door functions and is designed for quick set-up, making it easy to specify and install.



FEATURES

- » Non-handed
- » Push or pull side mounting
- » Maximum Door Weight: 250 lbs
- » Obstruction Detection
- » Backcheck standard
- » Use with Actuation Devices:
 - › Push Buttons
 - › Wave-to-Open Switches
 - › Radio frequency device
- » Integration with Access Control Systems
- » 2 year limited warranty

BENEFITS

- » Low cost automatic door operator
- » Compliant solution for stringent ADA requirements
- » Pair with wave-to-open switches for touchless operation
- » New smaller footprint for minimal aesthetics and tighter spaces
- » Comprises hydraulic closer to ensure quiet function and smooth operation when opened manually
- » One of the only fire rated, hydraulic operators available
- » Easy, one-person installation with parts packaged pre-installed on backplate

PATENT

- » 5,881,497, 7,316,096 and 7,484,333

APPLICATIONS

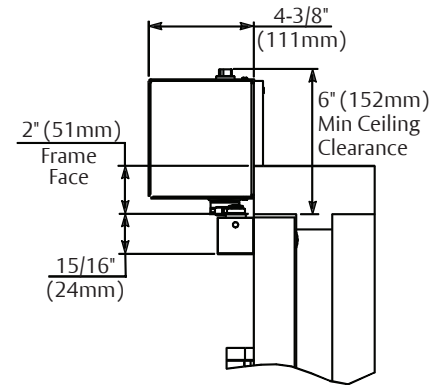
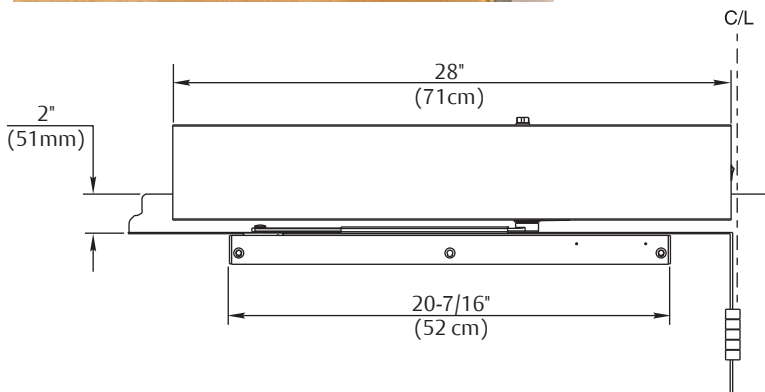


5511 HINGE (PULL) SIDE OF DOOR

- » Adjustable Stop
- » 110° swing (trim permitting)

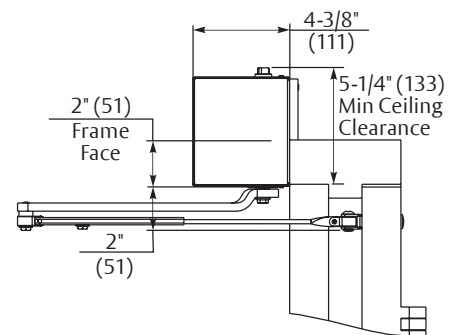
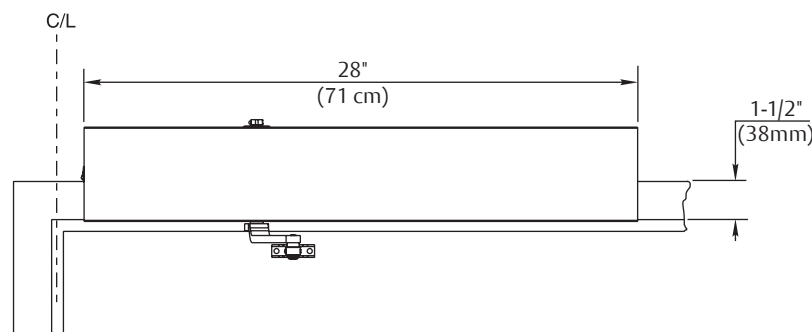
Minimum Door width
Single Door – 29" (74cm)
Pair of Doors – 30" (76cm)

An auxiliary stop is suggested where severe conditions exist.



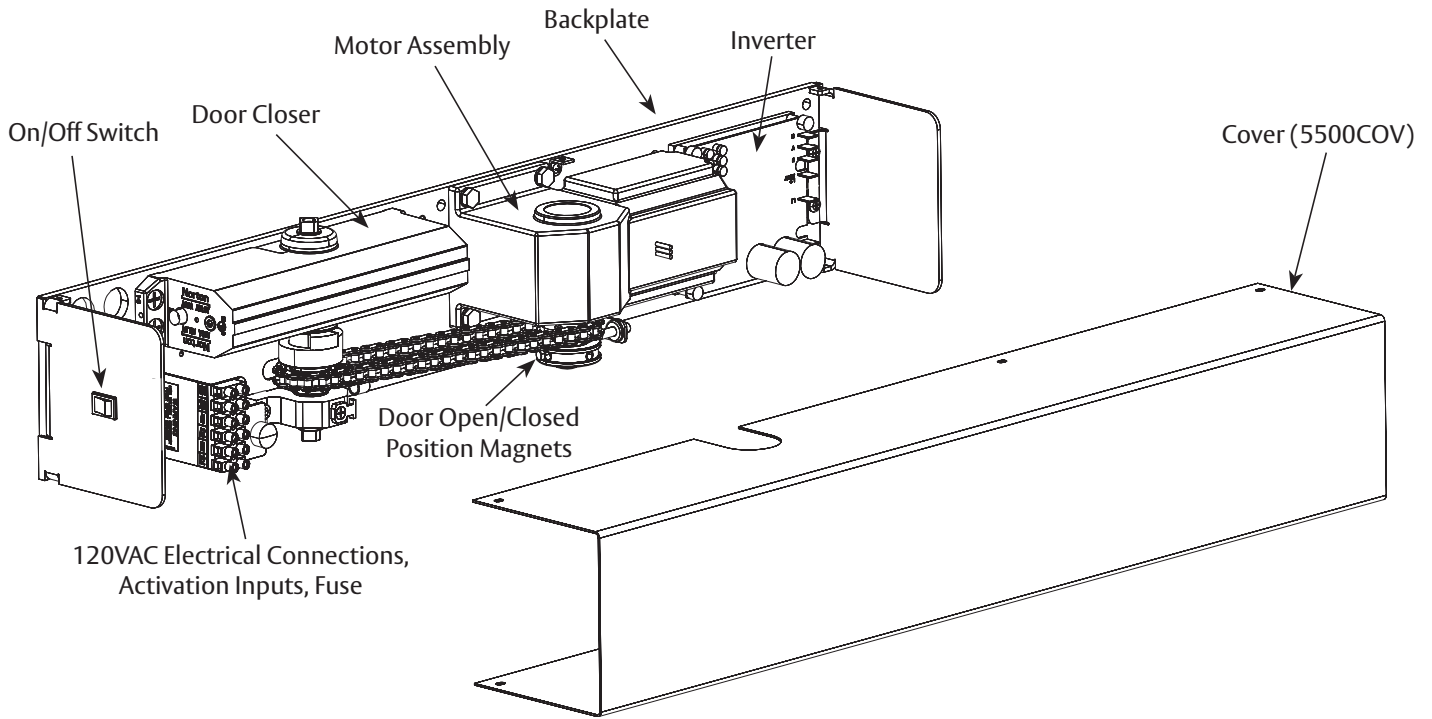
5531 STOP (PUSH) SIDE OF DOOR

- Standard Duty Double Lever Arm
- » Frame reveals 2-5/8" to 6-3/4" (67-171mm)
 - » An auxiliary door stop is required for these applications.
 - » 170° swing (trim permitting)



5500 SERIES
LOW ENERGY POWER OPERATOR

PARTS LIST



Optional

Model	Description
5500PWR	Power Supply

ARM AND TRACK ASSEMBLIES

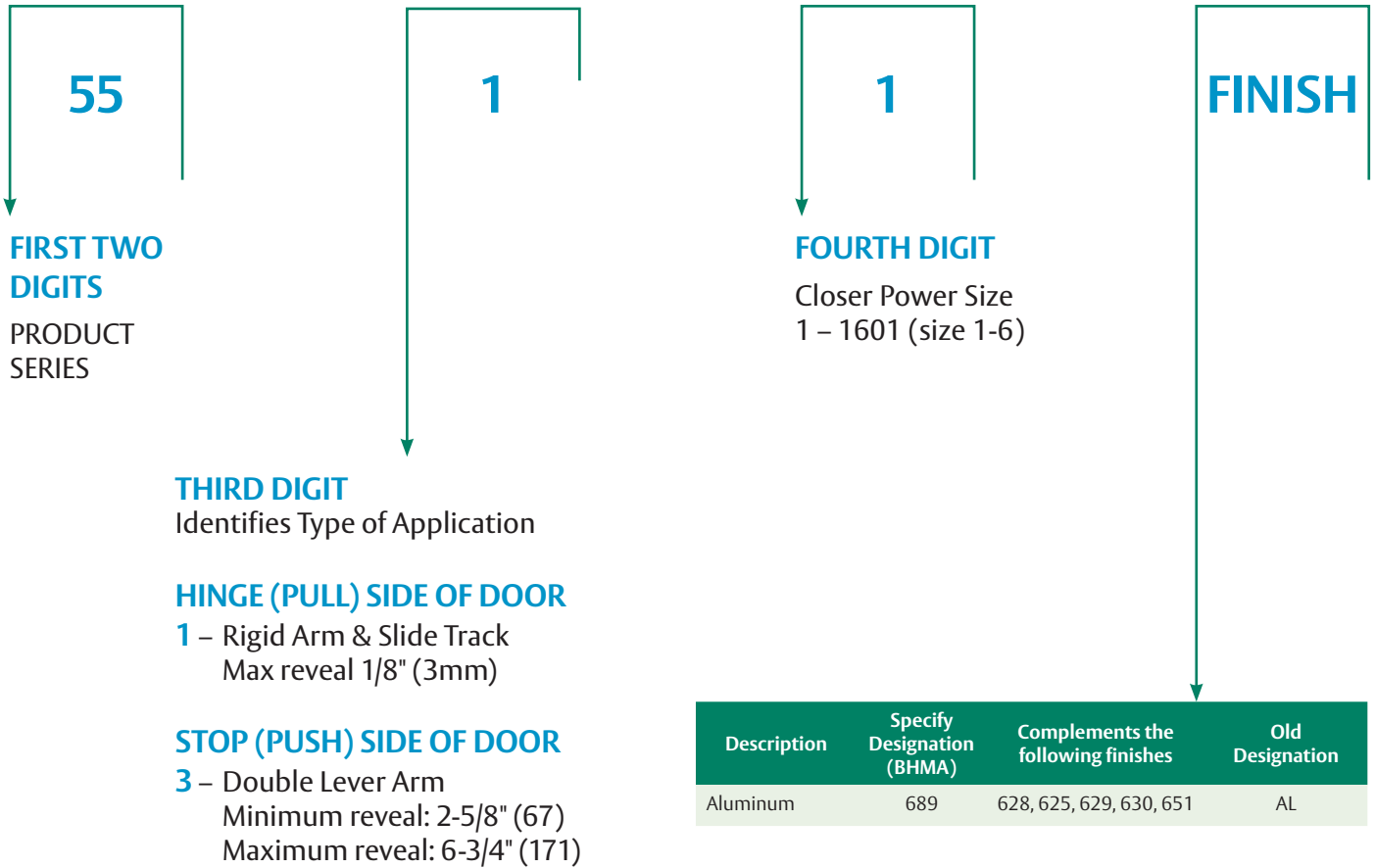


7110-1A - Arm Assembly
7100-1T - Track Assembly



7701-1A - Arm Assembly
7701-1W - Main Arm & Rod
7701-11A - Adjusting Tube & Shoe

HOW TO ORDER



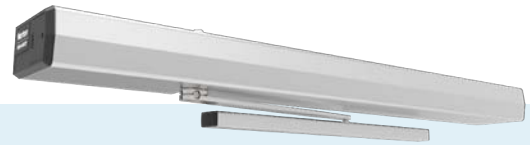
5500 SERIES

INTRODUCTION

The Norton 6300 Series Low Energy Operator offers a broad set of intelligent functions, such as power close, latch assist and obstruction detection to safely secure a variety of moderate to high traffic openings. A unique design with one of the slimmest profiles available allows the 6300 to blend more seamlessly with the frame while fitting challenging applications with minimal header space. A modular design, simple controls, and new wifi interface via a mobile device make for easy installation and setup.

FEATURES

- » Push and pull side mounting
- » Non-handed
- » Activated by push button, hands-free and RF devices
- » Door size: min width 36", max width 48", max weight 200 lbs.
- » Aesthetically pleasing, slim profile
- » Modular design
- » Adjustable opening force
- » Adjustable closing power
- » LCD Screen
- » Wifi Interface
- » 2 year limited warranty



SMART

- » Latch assist ensures door closes to secure facility
- » Occupant safety enhanced by Obstruction Detection, Power Assist and Push & Go functions
- » Customizable inputs and outputs for accessories, including security override and fire safety.

SIMPLE

- » Modular design allows for one-person installation
- » Heavy-duty back plate serves as template simplifying and speeding installation
- » Unit learns door properties (approximate weight) during installation for easy programming and set-up
- » Easy to use controls simplify setup
- » Easy setup via a mobile device
- » USB port allows for quick software updates

GOOD LOOKING

- » Unique design with slim profile blends seamlessly with frame
- » Low profile easily fits applications with minimal header space


FUNCTIONS

- » Adjustable Hold Open
 - › Amount of time a door will stay in the full open position after an activation
- » Blow Open for Smoke Ventilation
 - › Door opens when signal is received from alarm system allowing air or smoke to flow through opening.
 - › Door will stay open until signal from alarm system is stopped
- » Emergency Interface Relay (fire panel input)
 - › Door closes and ignores any activation input until signal is discontinued
- » Infinite Hold Open
 - › Door will hold open at set position until power is turned off
- » Latch Assist
 - › At closed position, after an activation, the door is pulled in
 - › After the door has closed, the door is pulled in to assist with latch release/engagement
- » Obstruction Detection
 - › Open: door closes if it hits an obstruction while opening
 - › Close: door will reverse to open position if it hits an obstruction while closing
 - › Close (Selectable - stop on stall): door will stop once it hits an obstruction and will rest against the obstruction until removed
- » Open Delay
 - › Delays operator opening for locking hardware
- » Outside Push Button Disable
 - › When contact is closed, outside push button is disabled
- » Power Assist
 - › Senses the door is being opened manually and applies small amount of power to assist user in opening the door with force less than 5 lbs.
 - › Door opens only as far as it is moved manually, then closes once released
- » Power Close
 - › Additional force to assist door closing between 7° and 2°
- » Presence Detector Input
 - › Input for external sensor to detect presence at door open or close position only
- » Push & Go
 - › As the door is manually opened, the operator "senses" movement and opens door to the full-open position
- » Selector Mode Switch
 - › Off - Disables signal inputs unless Blow Open is activated
 - › On - Activates signal inputs
 - › Hold Open - Activates the unit (unless blow closed is activated on 6300) to the hold open position
- » Vestibule Delay
 - › When the push button is pressed, first door in vestibule will open. Second door will open once vestibule door delay has expired. Delay is adjustable.

ELECTRICAL DATA

- » Power input 120 VAC, 3A, 60Hz
- » Current draw 1.5A
- » Power output 24VDC @ 1.3A max draw (less accessories)

CERTIFICATIONS

- » ANSI/BHMA A156.19 certified 
- » UL325/991 certified
- » UL10C listed for positive pressure fire test
- » Complies with requirements for the Americans with Disabilities Act (A.D.A)
- » Manufactured in an ISO 9001 and ISO 14001 certified facility

SPECIFICATIONS

Door Control (interior) (exterior) closing force shall be adjustable to ensure adequate closing control. Door Operator shall simulate conventional door closer opening and closing forces unless the power operator motor is activated. Door Operator shall have electronic backcheck to cushion the door speed if door is opened violently. [(Door Operator shall be AUTOMATICALLY ACTIVATED by either a slight push or pull in the direction of opening swing - Push & Go.) (Door Operator shall be SELECTIVELY ACTIVATED by external initiating device, i.e. wall switch, etc.) (Door Operator shall be both AUTOMATICALLY ACTIVATED and SELECTIVELY ACTIVATED.)] Operator shall have selectable latch boost to provide additional closing force to overcome conditions that may prevent door from latching. Unit shall have delay switches for motor activation, electric lock interfacing, and hold open time. Units shall interface with latch retraction exit devices or similar products and have 24VDC @ 1.3A maximum (less accessories) output for connection of electric strike, lock, radio frequency receiver, etc. Unit shall have a three-position Selector Mode Switch that will permit the unit to be switched "ON" to monitor for function inputs, switch to "H/O" for infinite hold open function or switched "OFF" which will disable function inputs allowing unit to be used as a manual door closer. Unit shall be U.L. Listed for automatic closing door. The Unit shall be adjustable to provide compliance with the requirements of the Americans with Disabilities Act (ADA). Unit shall be certified by BHMA to meet A156.19 requirements. Unit shall meet UL325/991, UL10C standards.

6300 SERIES
 LOW ENERGY POWER OPERATOR

APPLICATIONS

6311 Shown

HINGE (PULL) SIDE OF DOOR
 RIGID ARM AND SLIDE TRACK



6352 Shown

DOUBLE EGRESS ARM (PULL) SIDE OF DOOR



6332 Shown

STOP (PUSH) SIDE OF DOOR
 STANDARD-DUTY DOUBLE LEVER ARM



6341, 6342 - UNIVERSAL UNITS

INCLUDE:

- » Operator
- » Cover
- » Push and pull arms



operator

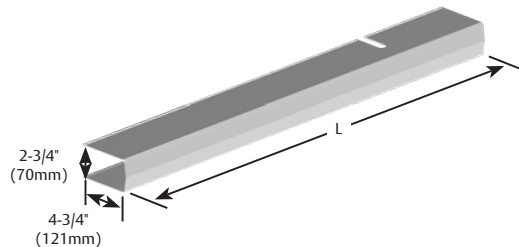
push arm (6330-1)

pull arm (6310-1)

6300 SERIES

PRODUCT COMPARISON

Model	Mounting		Arms			Overall Length (L)	Compatible with 585 Presence Detector	Cover spans full frame (36" door only)	Can be used on a pair of 36" doors	
	Pull Side	Push Side	Rigid Arm & Slide Track	Double Lever	Double Egress					
6311	•		•			37-3/8"	Yes	No	Yes	
6331		•		•						
6341	•	•	•	•						
6351	•				•					
6312	•		•			39-5/8"		Yes	Yes	No
6332		•		•						
6342	•	•	•	•						
6352	•				•					



TECHNICAL INFORMATION

Model	Door Opening	Reveal Range	Minimum Top Rail	Minimum Ceiling Clearance*	Frame Width	Door Width	Door Weight
6311 6312	Up to 180°	1/8"	1-1/8"	2-1/4" standard; 1-1/2" with field modification^	Minimum 2"	Minimum 36" Maximum 48"	200 lbs
6331 6332	110° to 135° (depending on reveal)	1/8" to 6-3/4"	2-1/4"	5/8" standard; 0" with field modification^			
6341 6342	Refer to 6311/6312 or 6331/6332 information						
6351 6352	Up to 130°	1/8" to 2-3/4"	1-1/2"	2-1/4" standard; 1-1/2" with field modification^			

*Based on units mounted on 2" frame

^Consult factory

Notes:

- › For additional information, the 6300 Series Instruction Manual is available online.
- › Contact factory if door weight exceeds 200 lbs.

6300 SERIES LOW ENERGY POWER OPERATOR

6300 KITS

Hands-Free Kits



6341K2 (37-3/8")

6342K2 (39-5/8")

Kit includes:

- » Operator
- » Cover
- » Push and Pull Arms
- » (2) 700 Wave-to-Open Switches

ADA Kits



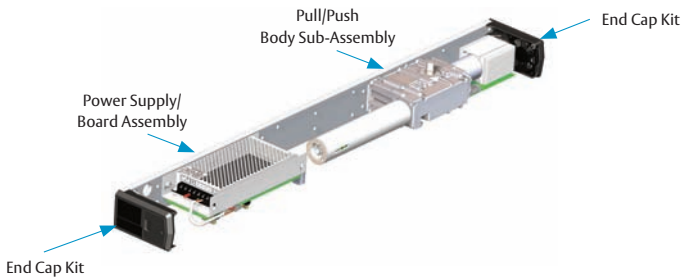
6341K3 (37-3/8")

6342K3 (39-5/8")

Kit includes:

- » Operator
- » Cover
- » Push and Pull Arms
- » (2) ADA1019-2 Switches
- » (2) 548 Transmitters
- » 539 Receiver

PARTS LIST



Parts

Part Number	Description	For Model's
6300LAP	Pull/Push Body Sub-Assembly	All models
6300CM2	Power Supply / Board Assembly	All models
6300CAB2	Cable Kit	All models
6300COV	39-5/8" Cover	6312, 6332, 6342, 6352
6300COV2	37-3-8" Cover	6311, 6331, 6341, 6351

Miscellaneous Parts

Part Number	Description	For Model's
6300END	End Cap Kit (included both end caps)	All models
6300SP	Screw Pack	All models

ARM AND TRACK ASSEMBLIES



- 6310-1** Arm and Track Assembly
- 6310-1W** Arm Assembly
- 7100-1T** Track Assembly



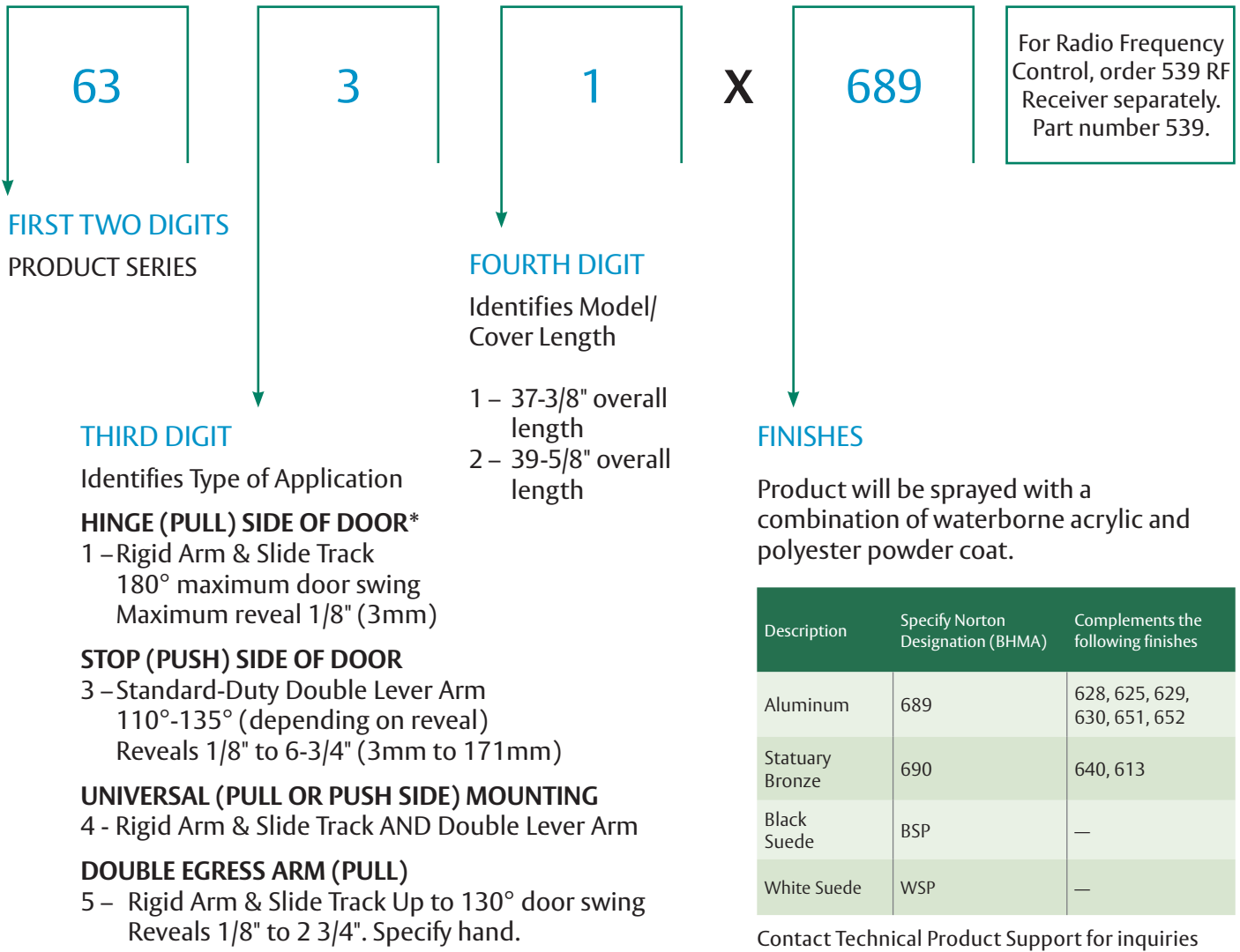
- 6330-1** Arm Assembly
- 6330-1W** Main Arm & Rod
- 6620-12** Adjusting Tube & Shoe



- 6350-1L** Arm and Track Assembly (LH)
- 6350-1R** Arm and Track Assembly (RH)
- 6350-1LW** Arm Assembly (LH)
- 6350-1RW** Arm Assembly (RH)
- 7100-1T** Track Assembly

HOW TO ORDER

Note: All transmitters (door switches or key fob) must be ordered separately.



Description	Specify Norton Designation (BHMA)	Complements the following finishes
Aluminum	689	628, 625, 629, 630, 651, 652
Statuary Bronze	690	640, 613
Black Suede	BSP	—
White Suede	WSP	—

Contact Technical Product Support for inquiries on custom finishes at 1-800-438-1951 ext. 6030.

* Consult Technical Support Department when door is hung on offset pivots
See page 26 for Kits.

6300 SERIES

INTRODUCTION

As one of the world's only regenerative power door operators, Norton's 5800 Series is certified by GreenCircle® to reduce energy consumption by as much as 100 percent versus other comparable operators. Available in wireless and plug-in versions and able to fit in the tightest of spaces, the 5800 is simple to install and use.

FEATURES

- » Regenerative drive or continuous duty operation
- » Non-handed
- » 95° door opening
- » Push and pull side mounting
- » Radio Frequency stainless steel push buttons
- » Integral RF receiver
- » Shock absorbing arm
- » 24VDC input port
- » ADA1015P hardware kit
- » Auxiliary activation input port
- » Patented auto-tune feature
- » 2 year limited warranty



HOW IT WORKS

How does the 5800 Series Pro work without electrical power?

The 5800 Series Pro is an extreme duty, low energy operator designed for moderate to high traffic manual opening applications that occasionally requires powered operation. A regenerative drive system charges an onboard battery pack eliminating the need for electrical power.

The 80/25 guidelines should be applied when ordering this operator. It is recommended that the 5800 Series Pro be used on a door that gets approximately 80 manual cycles or more per day and is used 25% or less automatically. When applied using the 80/25 guideline this operator will self generate all the power it needs to keep its field replaceable, onboard, battery pack charged for up to 12 years and in some cases longer. A fully charged battery has the capability to open a door up to 2000 times in a row, generously allowing for periodic fluctuations from 80/25 guidelines with little impact on the product's overall usability. Example: 30% automatic use for one day is not a problem, as long as that level of automatic use is not sustained.

The 5800 Series Pro can be used outside of the 80/25 parameters. Simply plug the unit into a common 110 VAC electrical outlet using our ADA1015P hardware kit option. The hardware kit is a low voltage plug in transformer and can be added to existing installed field units.

FUNCTIONS

- » Adjustable Hold Open
 - › Amount of time a door will stay in the full open position after an activation
- » Dynamic Braking
 - › Braking or slowing of the door if excessive door speed occurs resulting from a wind load or an abusive open condition
- » Emergency Interface Relay*
 - › Door closes and ignores any activation input until signal is discontinued
- » Executive Mode Feature
 - › When door receives activation signal it opens and remains open until either a second signal is received or door is manually moved in closing direction
- » Latch Assist
 - › At closed position, after an activation, the door is pulled in
 - › After the door has closed, the door is pulled in to assist with latch release/engagement
- » Obstruction Detection
 - › Open - door closes if it hits an obstruction while opening
 - › Close (Stop on Stall) - door will stop once it hits an obstruction and will rest against the obstruction until obstruction is removed
- » On/Off Switch
 - › Disables operator activation
- » Open Delay*
 - › Delays operator opening for locking hardware
- » Outside Push Button Disable*
 - › When contact is closed, outside push button is disabled
- » Power Close
 - › Additional force to assist door closing between 90° and 70° and 10° and 0°
- » Push & Go
 - › As the door is manually opened, the operator "senses" movement and opens door to the full-open position
- » Single Relay Output*
 - › Closes to indicate a valid activation

*Only available with Wireless Interface Module (WIM)

CERTIFICATIONS

- » ANSI/BHMA A156.19 certified
- » ETL tested to UL/cUL 325 standard for automatic operators
- » Complies with requirements for Americans with Disabilities Act (ADA)
- » UL10c 90-minute positive pressure fire rating
- » Manufactured in an ISO 9001 and ISO 14001 certified facility
- » Verified by GreenCircle to offer these energy savings as compared to similar products:
 - › 5800 Series (plug-in) – 91% efficiency
 - › 5800 Series (wireless) – 100% efficiency



SPECIFICATIONS

- » Provide low energy automatic door operator complying with requirements of ANSI A156.19.
- » Provide an operator with adjustable opening and closing forces that meet the provisions of ANSI A117.1 and the Americans with Disabilities Act.
- » Provide an operator with a regenerative drive system which charges the on-board battery pack when unit is operated manually and which requires no external electrical power.
- » Provide an operator that can connect to ANY 24VDC power supply to keep an on-board battery pack fully charged eliminating the need for manual traffic charging. When used with 24VDC input the operator shall supply up to 2000 automatic operations upon loss of building power.
- » Provide an operator which has been verified by GreenCircle to offer these energy savings as compared to similar products:
 - › 5800 Series (plug-in) – 91% efficiency
 - › 5800 Series (wireless) – 100% efficiency
- » Provide an operator which, upon installation, will determine door size and weight and automatically tune controller to operate within ANSI A156.19 and A117.1 standards. Operator shall also have the following adjustable functions:
 - › Opening/closing speed
 - › Hold-open time
 - › Close check
 - › Opening/closing force
- » Provide operator with on-board diagnostics which will continually maintain control of door speed in wind or abusive environment conditions.
- » Provide operator that will continue closing door within ANSI A156.19 and 117.1 requirements without any external power supplied. Upon meeting an obstruction during the opening cycle the door shall remain under power for one second and then close under spring force; if the door meets an obstruction during closing, the door will maintain a closing force of 8 lbs or less.
- » Provide unit capable of operating doors up to 48" wide, weighing up to 250 lbs.
- » Provide unit that will operate in climates with temperatures above -40° F and has a two year warranty.
- » Provide operator with two stainless steel, jamb mounted, push button transmitters in choice of 1-3/4" x 4-3/4" narrow, 4-1/2" x 4-1/2" square styles, or 5 1/4" x 5 1/4" wave-to-open switch style, with required signage. Locate push buttons as directed by architect and within ANSI A156.19 and 117.1 guidelines.
- » Provide operator which utilizes a triangular hardened steel output shaft to connect arm with a two piece tapered coupling for superior slip resistance.
- » Provide operator and push button transmitter with circuit boards that have been specially coated to resist moisture and humidity making the electronics weather resistant.
- » Provide operator with integral heavy duty cast aluminum shock absorbing arm, which when fully extended is in full tension eliminating the need for an auxiliary door stop.
- » Provide operator with two architecturally finished covers and black powder coated frame, arms and mounting brackets.
 - › Black (BHMA 693T)
 - › Aluminum (BHMA 689)
- » Provide an operator incorporating "Push & Go" feature to allow door movement to activate door open cycle or recycle door (PRO PLUS only).
- » Provide an operator incorporating "Power Close" feature to utilize the motor to close a door help open by wind, stack pressure or latchbolt (Models 5833, 5813 only).
- » Provide an operator incorporating "Latch Assist" feature to apply pulsed power in the closing direction to assist in latching and unlatching of the door

PRODUCT DESCRIPTIONS

PRO: MODELS 5831 (PUSH), 5811 (PULL)

- » No electrical power required
- » Moderate to high traffic, manual opening applications that occasionally require automatic operation
- » Regenerative drive system charges an onboard battery pack
- » Models 5831 and 5811 excel in applications where the traffic pattern allows for 80 door cycles per day, 25% of which are automatic and 75% of which are manual. These models requires no electrical connection, no permit, no inspection, no wiring, and no low voltage license. The 5800 Series installs like a manual door closer in less than 1 hour.

PRO PLUS: MODELS 5833 (PUSH), 5813 (PULL)

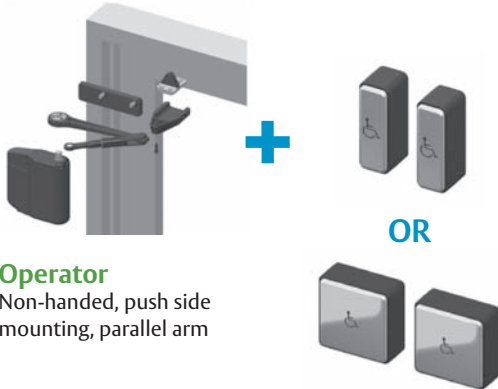
- » 24VDC powered - continuous automatic use
- » Connects to ANY 24VDC power supply
- » Commercial applications requiring Push & Go, Power Close, and Electric Lock Interface.
- » Ideal for openings requiring continuous automatic use or automatic use more than 25% of the time

PRO COMPLETE: MODEL 5845 (PUSH AND PULL)

- » Bundles all the configurations of the PRO and PRO PLUS models into one easy to stock package
- » Right or left hand doors
- » Push and pull side mounting hardware
- » Black and aluminum finish covers
- » Mounting hardware for virtually any door and frame
- » 24VDC plug-in transformer kit for continuous automatic use applications

KITS

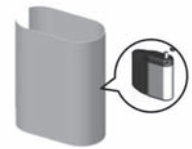
Models 5831 x NPB (Push), 5811 x NPB (Pull)



Push buttons with wireless (RF) transmitters

Narrow Style or Square

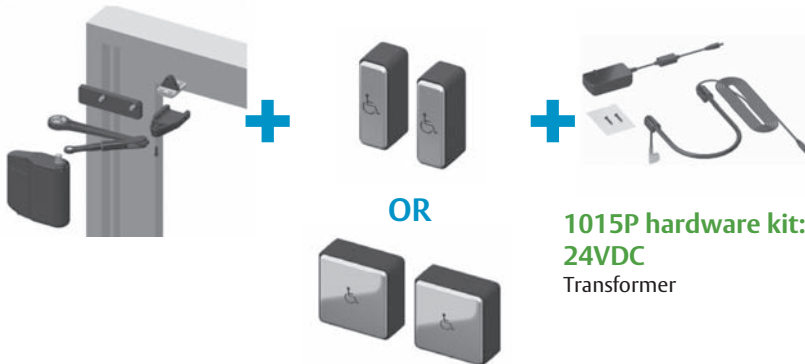
Option:



Aluminum dress cover

Replaces standard black cover; operator frame and arm are always black finish

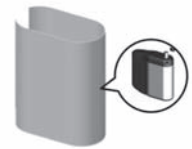
Models 5833 x SQPB (Push), 5813 x SQPB (Pull)



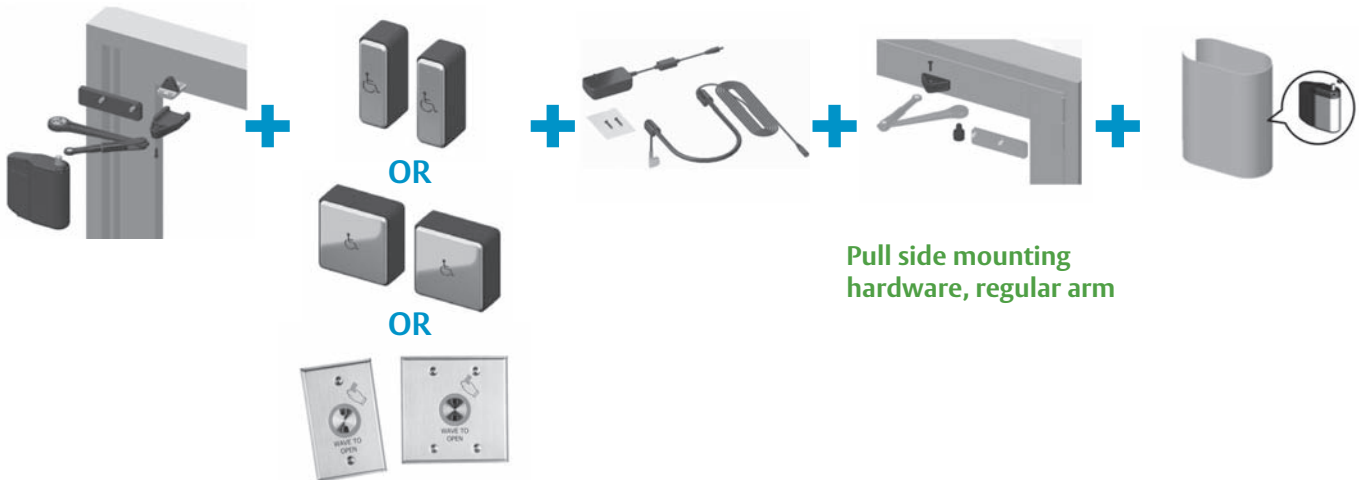
1015P hardware kit:

24VDC
Transformer

Option:



Models 5845 x NPB (Push & Pull), 5845 x SQPB (Push & Pull), 5845 x WTO (Push & Pull)



Pull side mounting hardware, regular arm

Wave-to-Open switch

WIRELESS INTERFACE MODULE (ADA1028W)

System Description:

The Wireless Interface Module (WIM) allows the 5800 door operator to interface to 5800 wired or wireless push buttons, wireless remote, an electric lock, fire panel, access control, and an outside push button disable contact. The WIM can be used with any 5800 model.

Mounting:

The WIM (4.25" W x 5.75" H) is designed to fit inside a power supply cabinet, using a supplied plastic mounting plate with double sided tape and fasteners.

Inputs:

- » Power input: 24VDC
- » Hardwire push buttons input: separate INSIDE and an OUTSIDE activation input
- » Wireless push button input: separate INSIDE and an OUTSIDE RF activation input
- » Handheld transmitter input: part # ADA1031 interface
- » Operator connection cable: plug-in swing door cable connector interface
- » Lock power: dry contact SPDT to power an electric lock
- » Outside push button disable: privacy feature

Outputs:

- » Wireless output: RF signal to activate operator
- » Output contacts: SPDT dry contact output for AUX signal
- » Lock contacts: SPDT dry contact output for LOCK
- » Access control contacts: indicates valid unlock signal
- » Signal delay timer: 1.5 second lock release delay
- » Emergency interface relay (EIR): disables signal inputs

Codes/Listings:

- » UL 325 standard for automatic operators
- » FCC 47CFR 15C and RSS 210



TECHNICAL INFORMATION

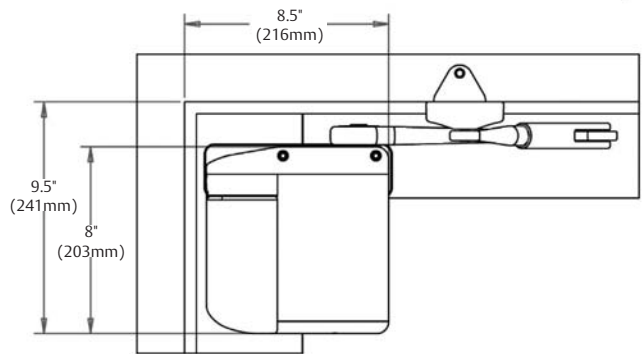
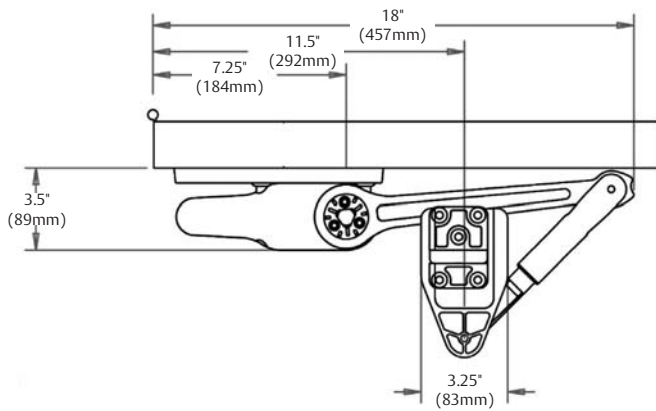
Push Side



Push side mounting without electrical power



Push side mounting with ADA1015P hardware kit



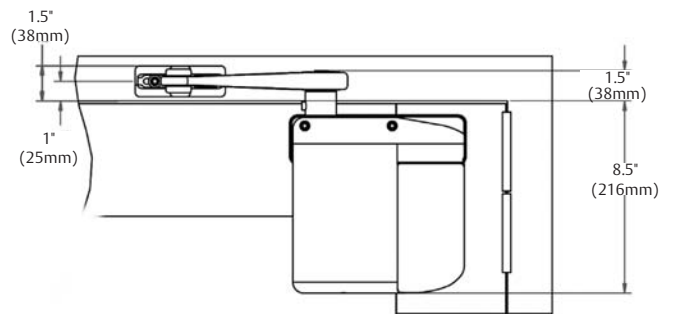
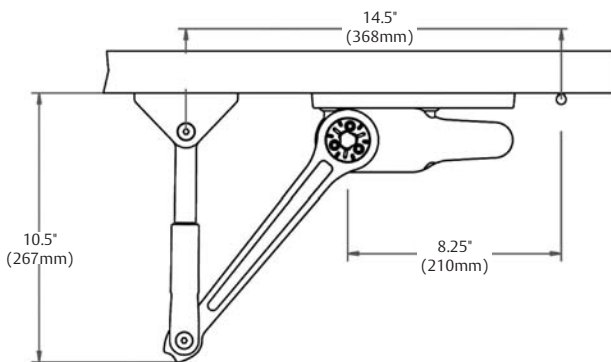
Pull Side



Pull side mounting without electrical power



Pull side mounting with ADA1015P hardware kit



All dimensions are approximate

Notes:

- › Maximum door width - 48" (122 cm)
- › Maximum door weight - 250 lbs
- › Dimensions are listed in inches/mm unless noted

TRASH ROOM DOORS



Models 5839 and 5819 were designed to meet a New York City building code that required trash room doors be equipped with automated doors to make them more accessible to disabled persons. These models include an occupancy sensor to keep the door open while the room is in use and a power close feature to ensure the door closes and re-latches.

FEATURES

- » Continuous duty operation
- » Non-handed
- » 95° door opening
- » Push or pull side mounting
- » Occupancy sensor
- » Electric lock interface module
- » Shock absorbing arm
- » Black cover (standard); aluminum cover (optional)
- » 24 VDC input port
- » Built-in on/off switch
- » Auxiliary activation input port

APPLICATIONS

- » Trash rooms in high rise buildings

How to Order	Mounting
5839-NYW	Push
5819-NYW	Pull

INCLUDED IN PACKAGE*

- » Operator
- » Mounting hardware
- » 24VDC 1 amp power supply
- » Occupancy sensor
- » Armored door cord
- » (2) 1-3/4" surface mounted, stainless, hardwired push buttons
- » 20 feet of operator power and signal wire

* Electric lock not included

BENEFITS

Easy to Install

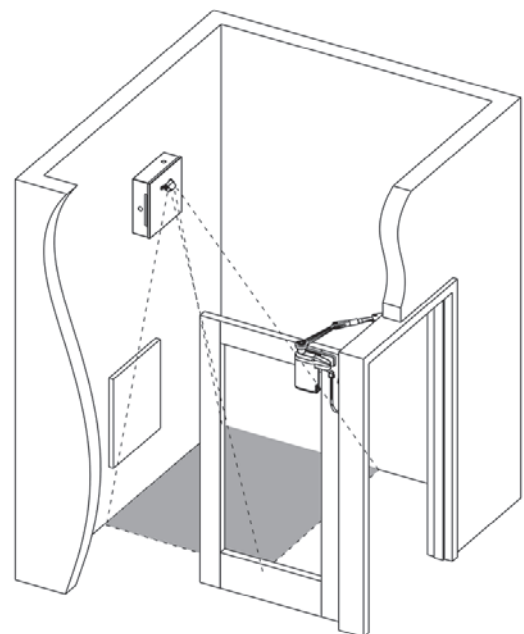
- » Occupancy sensor keeps door open while room is in use
- » Optional power close ensures consistent door latching

Flexible

- » Controls doors up to 48" wide and 250 lbs in weight
- » Acts like a manual door closer

Dependable

- » Grade 1 - heavy-duty, commercial design
- » Brushless DC motor/gearbox tested in excess of 10 million cycles
- » Optional dynamic and back check braking for abusive environments



KIT

Models 5839-NYW (Push), 5819-NYW (Pull)

24vdc – 1 amp power supply pre-wired with lock interface module and occupancy sensor



Universal operator mounting plate

Shock absorbing arm

Push side mounting hardware

Brushless DC motor extreme duty gearbox integral electronic controls



1-3/4" stainless push buttons

ANSI door signs



AVAILABLE OPTIONS



Aluminum cover



Pull side mounting hardware

PARTS



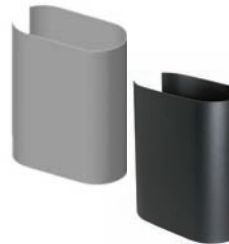
ADA1015P
Kit: transformer, armored door cord, end links 50' of low voltage cable, power port cnt.



ADA1007P
Battery assembly



ADA1001
Door arm assembly



ADA1002
Operator cover – black
ADA1004
Operator cover – aluminum



ADA1010P*
Operator body - ADAEZ PRO
ADA1010NY*
Operator body - NYC TRD
ADA1010E*
Operator body - Europe

* battery not included



ADA1028W
Wireless Interface Module



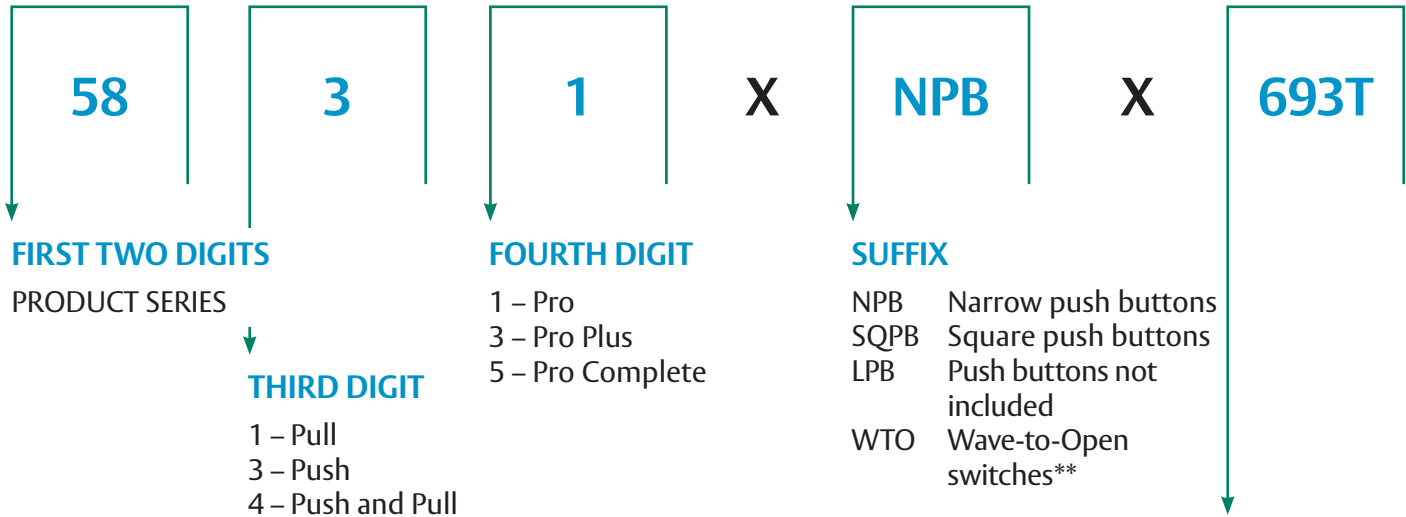
ADA1005WP
Electronic control kit for Pro setup and PC board (white board)
ADA1005WN
Electronic controlkit for NYCTRD setup and PC board (white board)



ADA1022
Kit to convert SPDT switch to DPDT switch

Part #	Description
ADA1009	Mounting hardware (includes rivetnut installation toolkit)
ADA1006	Operator mounting bracket with covers
ADA1023	External battery charger kit
ADA1025	Multi-purpose timer
ADA1026	Bottom cover with screws
ADA1031	Hand held remote control
ADA1031E	Hand held remote control (Europe)
ADA1021	Kit to convert to pull side
ADA1024	Kit to convert to push side
ADA1008	Wireless push button transmitter (circuit board only)
ADA1029	Occupancy sensor (models 5839, 5819 only)
ADA1015C	Door cord WIM
ADA102SP	24VDC power supply, WIM, and mounted sensor

HOW TO ORDER



Finish Designations for Covers	Description
693T	Black Textured
689	Aluminum

KITS	Model Number	Function		Description				
		Push	Pull	Narrow Style Buttons	Square Style Buttons	Wave-to-Open Switch	1015 Hardwire Kit: 24VDC	Aluminum Dress Cover
PRO	5831 x NPB	●		●				○
	5811 x NPB		●	●				○
PRO	5833 x SQPB	●			●			○
	5813 x SQPB		●		●			○
PRO PLUS	5833 x NPB	●		●			●	○
	5813 x NPB		●	●			●	○
PRO PLUS	5833 x SQPB	●			●		●	○
	5813 x SQPB		●		●		●	○
PRO COMPLETE	5845 x NPB*	●	●	●			●	●
	5845 x SQPB*	●	●		●		●	●
	5845 x WTO*	●	●			●	●	●

Note: *5845 is shipped 693T x 689 finish
**Only available for PRO COMPLETE

○ – Optional parts
● – Standard parts

5800 SERIES

INTRODUCTION

The 5600 Series Operators offer functionality and control at an affordable price. Ideal for retrofit applications, the 5600 Series converts interior, non-fire rated doors for ADA compliance easily and affordably and provides a simple way to achieve touchless environments in public restrooms. Available for push or pull mounting, this unit can be operated manually or activated by wall switches, or radio frequency devices. Easy to install, set-up and adjust, the 5600 Series is perfect for ADA-compliant offices, classrooms and dorm rooms, and touch free applications like public restrooms, labs and examination rooms.



FEATURES

- » Push or pull side mounting
- » Non-handed
- » Quiet operation
- » Electrically controlled backcheck, sweep and latch
- » Activation options: wall switches, radio frequency devices
- » Ease of installation and set-up
- » Onboard 24VDC (1.1A) power supply for accessories
- » Door closer mode for manual usage
- » Electronic motor dampening - provides feel of high performance, manual door closer
- » Electric hardware and access control interface
- » 1-year limited warranty

FUNCTIONS

- » Adjustable Hold Open
 - › Amount of time a door will stay in the full open position after an activation
- » Executive Mode Feature
 - › When door receives activation signal it opens and remains open until either a second signal is received or door is manually moved in closing direction
- » Obstruction Detection
 - › Motor stops if door is obstructed during opening; door will rest against obstruction
- » On/Off Switch
 - › Disables operator activation
- » Open Delay
 - › Delays operator opening for locking hardware
- » Overload Safety Shut-Off
 - › After 2 minutes of receiving a door activation signal, inverter times out and door closes
 - › Prevents motor/inverter damage
- » Push & Go
 - › As the door is manually opened, the operator "senses" movement and opens door to the full-open position

ELECTRICAL DATA

- » Power Input; 120 VAC, 60Hz
- » Current Draw: 0.6A
- » Relay Output: SPDT
 - › Normally open/normally closed (jumper)
 - › For electric strike function

CERTIFICATIONS

- » ANSI / BHMA A156.19 certified
- » ETL certified; conforms to ANSI/UL standard 325 for automatic closing doors
- » Comply with requirements for the Americans with Disabilities Act (A.D.A.)
- » This product is manufactured in an ISO 9001, ISO 14001 facility
- » UL certified environmental product declaration

SPECIFICATIONS

General Specifications

Operators for interior doors shall be products of one manufacturer and be matched in style. Operator (non-fire rated doors) closing force shall be adjustable to ensure adequate closing control and shall simulate conventional door closer opening and closing forces unless the power operator motor is activated or in the event of a power outage to the operator. Operators shall be non-handed and have electrically controlled backcheck, sweep, and latch with manual adjustment to set both the full open and full closed door positions. Maximum door open shall be adjustable up to 95°, pull side mounting, conditions permitting. Operators can be SELECTIVELY ACTIVATED (i.e. external wall switches, radio frequency devices). Operators shall have input line rating of 120VAC, 0.6A, and include on board relay contact for interfacing with products having a rating of 24VDC at 1A. Door operators shall include an external On/Off Switch to defeat powered opening cycle and an internal circuit breaker switch to interrupt input power for servicing. Operators shall be ETL certified and conform to ANSI/U.L. standard 325 for automatic closing doors. Door operators shall be in compliance with the requirements of the Americans with Disabilities Act (A.D.A.) and ANSI/BHMA standard A117.1.

Additional Detailed Specifications

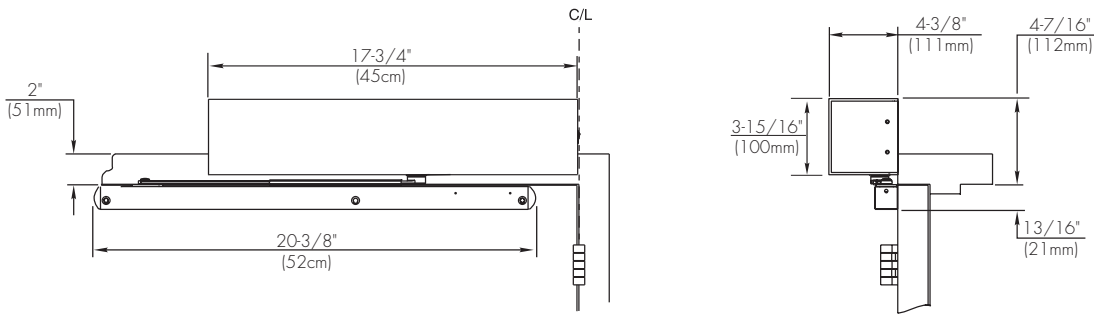
When activated, the door operator shall, by means of an integral motor, power open the door at both a speed and force adjustable to meet accessibility codes. The door shall be powered from a door closed position to a full door open position and remain in momentary hold open for 0 to 30 seconds (adjustable 0 to 30 seconds); (A.D.A. requires 5 seconds minimum hold open). Operators shall be capable of allowing the door to be opened manually from 0 to 95°, conditions permitting. Once door operator reaches full hold open position, if reinitiated, the momentary hold open time shall restart from the initially set hold open time. If door operator is initiated during the closing cycle, the operator shall revert to opening cycle beginning at that door position. Obstruction detection during opening shall neutralize and reverse motor action reverting motor to closed position allowing door to close by means of the integral motor. The obstruction detection feature shall be integral to the door operator. During closing cycle, the door operator shall close door by means of integral motor power not to exceed a closing force of 15 lbf. In the event of power loss, the door will remain in the position at the time of the power loss during the opening or the closing cycles.

APPLICATIONS



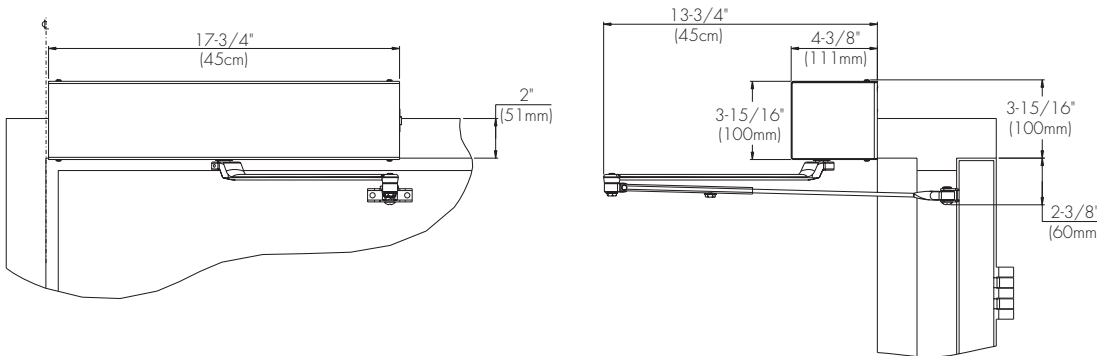
5610
HINGE (PULL) SIDE OF DOOR
» 95° swing (trim permitting)

Door width:
Minimum = 32"
Maximum = 36"
An auxiliary stop is recommended.



5630
HINGE (PUSH) SIDE OF DOOR
» 110° swing (trim permitting)

Door width:
Minimum = 32"
Maximum = 36"
An auxiliary stop is recommended.



HANDS-FREE KITS



- 5610K1 (Pull)**
5630K1 (Push)
Kit Includes:
- » Operator
 - » Cover
 - » Push or Pull Arm
 - » 700 Wave to Open Switch

- 5610K2 (Pull)**
5630K2 (Push)
Kit Includes:
- » Operator
 - » Cover
 - » Push or Pull Arm
 - » (2) 700 Wave to Open Switches



- 5610K1-SC (Pull)**
5630K1-SC (Push)
Kit Includes:
- » Operator
 - » Cover
 - » Push or Pull Arm
 - » 700 Wave to Open Switch
 - » Strike for Cylindrical Locks



- 5610K1-SM (Pull)**
5630K1-SM (Push)
Kit Includes:
- » Operator
 - » Cover
 - » Push or Pull Arm
 - » 700 Wave to Open Switch
 - » Strike for Mortise Locks

ADA KITS



- 5610K3 (Pull)**
5630K3 (Push)
Kit Includes:
- » Operator
 - » Cover
 - » Push or Pull Arm
 - » (2) ADA1019-2 Switches
 - » (2) 548 Transmitters
 - » 539 Receiver
 - » 5700PC Power Cord

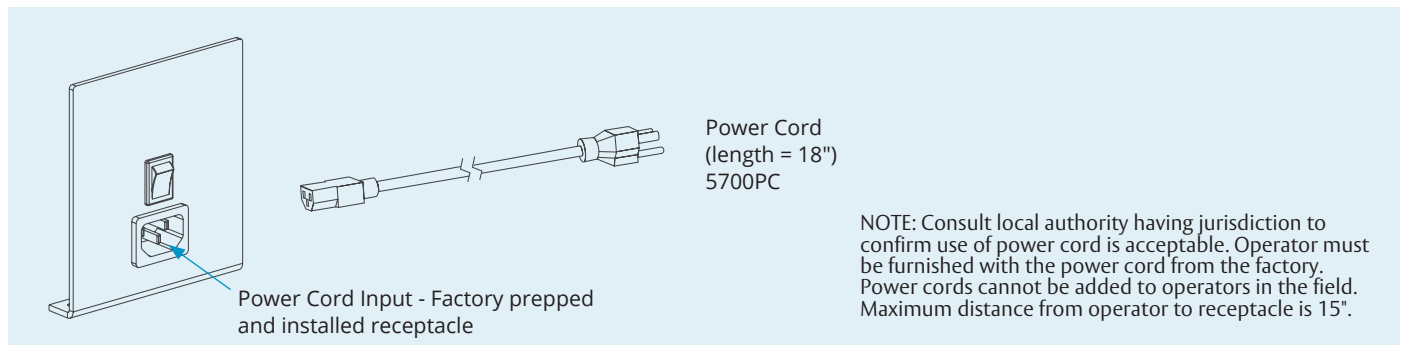
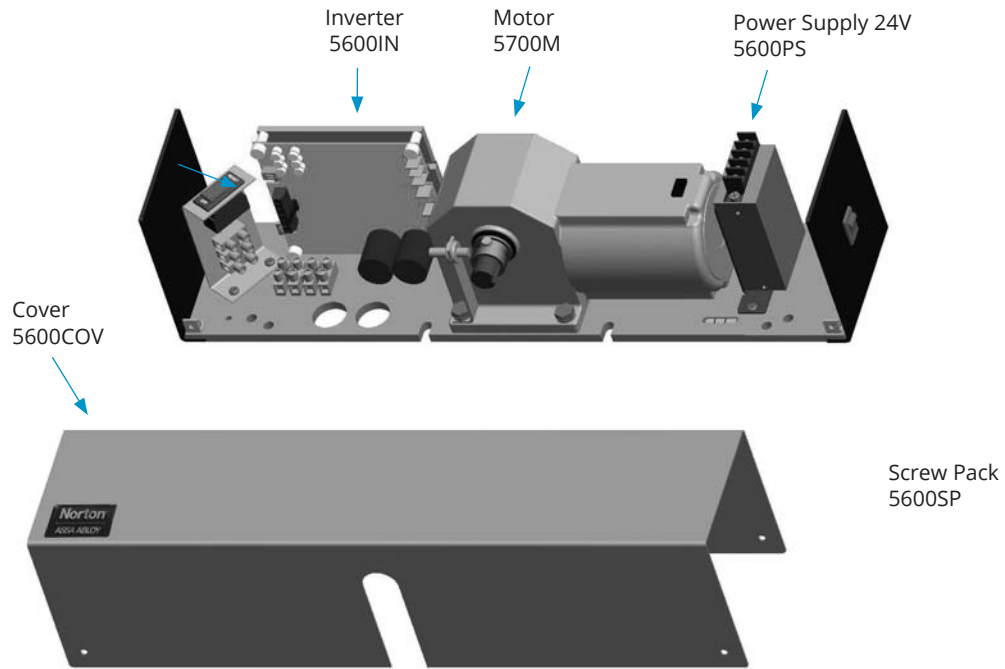
EXECUTIVE KIT



- 5610EX (Pull)**
5630EX (Push)
Kit Includes:
- » Operator
 - » Cover
 - » Push or Pull Arm
 - » 536 Transmitter

5600 SERIES LOW ENERGY POWER OPERATOR

PARTS LIST

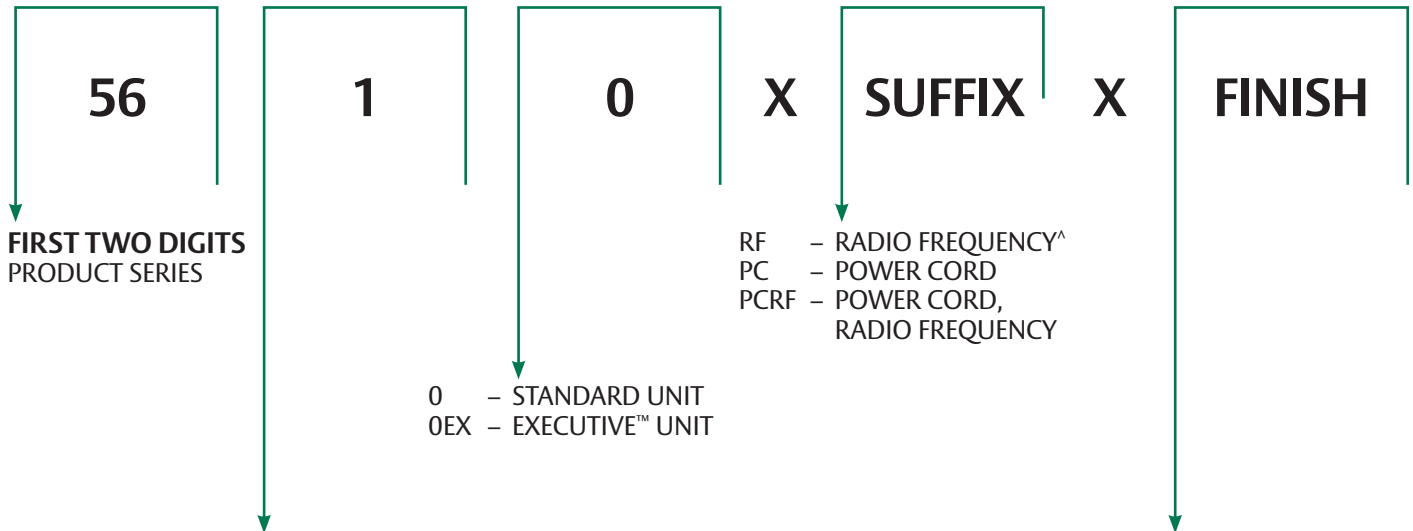


ARM ASSEMBLIES

Part #	Includes
5610M	Motor & Main Arm Assembly
5630M	Motor, Main Arm & Tube Assembly

HOW TO ORDER

Note: All transmitters (door switches or key fob) must be ordered separately.



THIRD DIGIT
Identifies Type of Application

HINGE (PULL) SIDE OF DOOR*
1 – Rigid Arm & Slide Track
Max reveal 1/8" (3mm) up to 95° door swing

STOP (PUSH) SIDE OF DOOR
3 – Double Lever Arm
Minimum reveal: 1-1/4" (32mm)
Maximum reveal: 5" (127mm)

^ Actuators not supplied with RF.
See page 43 for Kits.

FINISHES
Product will be sprayed with a combination of waterborne acrylic and polyester powder coat.

Description	Specify Norton Designation (BHMA)	Complements the following finishes	Old Designation
Aluminum	689	628, 625, 629, 630, 651	AL
Statuary Bronze	690	640, 613	STAT
Black Suede Powder	BSP	—	—
White Suede Powder	WSP	—	—

ACCESSORIES
LOW ENERGY POWER OPERATOR

ACTIVATING DOOR SWITCHES

Available With	501, 502, 671, 672, 505, 506, 507, 531, 532, 533, 534, 535
6300 Series	✓
6000 Series	✓
5700 Series	✓
5600 Series	✓
5500 Series	✓



501 **502**



671

671 and 672 switches meet new state accessibility logo requirements in NY, CA, and CT

- » 4-1/2" W. x 4-1/2" H.
- » 15 amp @ 125 VAC
- » Flush mounted
- » Fits single or 2 gang electrical box

Model	Description	Hard wired	RF (433MHz)
501	Press to Operate Door	✓	
502	Press to Open x logo	✓	
671	Press to Open x alternative logo	✓	
672	Press to Open x alternative logo		✓
542	4-1/2" surface mount box		



505 **532**



506 **534**

505, 506, 507 and 534 switches may also be installed with single or double gang electrical box using fasteners included

- » 6" W. x 6" H.
- » 9 volt battery
- » 15 amp @ 125 VAC
- » Flush mounted
- » Stainless steel with blue letters

Model	Description	Hard wired	RF (433MHz)
505	Square button: Push to Open x Logo	✓	
506	Round button: Push to Open x Logo	✓	
507	Square button: Push to Open	✓	
531	Square button: Push to Open x Logo		✓
532	Square button: Push to Open		✓
533	Round button: Push to Open x Logo		✓
534	Round button: Push to Open	✓	
535	Round button: Push to Open		✓
555	6" square surface mount box		
557	6" round surface mount box		

Note:

- » Metal enclosures can reduce signal strength and cause an intermittent or reduced signal reception when using a radio frequency transmitter. To ensure proper function, do not use metal conduit housing.
- » All hard wired switches are Momentary Contact SPDT, UL Listed.

VESTIBULE SWITCHES, TRANSMITTERS, RADIO FREQUENCY RECEIVER

Available With	503, 504, 536, 538, 548, 539
6300 Series	✓
6000 Series	✓
5700 Series	✓
5600 Series	✓
5500 Series	✓



503

Vestibule Switches

- » 1-1/2" x 4-3/4" face plate
- » SPDT UL listed switch-mom.
- » 15 amp @ 125 VAC
- » Fits 1-3/4" frame
- » Stainless steel with blue letters



504

- » 5" W. x 4-3/4" H.
- » 2 – SPDT UL listed switches-mom.
- » 15 amp @ 125 VAC
- » Fits 2-gang electrical box
- » Stainless steel with blue letters
- » 559 optional surface mount box

Transmitters



536

538

- » 2-3/8" w x 4-3/16" h x 15/16" d
- » 536: single channel
- » 538: two channel



539

Radio Frequency Receiver

- » 433 MHz



548

- » Converts existing hard wired push plates to work with RF receivers offered after June 2013
- » Single channel
- » 9 volt battery included

Note:

- » Metal enclosures can reduce signal strength and cause an intermittent or reduced signal reception when using a radio frequency transmitter. To ensure proper function, do not use metal conduit housing.
- » All hard wired switches are Momentary Contact SPDT, UL Listed.

ACCESSORIES
 LOW ENERGY POWER OPERATOR

PUSH-BUTTON KITS, OPERATIONAL SIGNAGE

Available With	565, 564, 679
6300 Series	✓
6000 Series	✓
5700 Series	✓
5600 Series	✓
5500 Series	✓



565

Push-Button Kits

Includes:

- » (2) ADA1019-2 wall switches
- » (2) 548 transmitters (with 9 volt batteries)
- » 539 receiver



564

Includes:

- » ADA1019-2 wall switch
- » 548 transmitter (with 9 volt battery)
- » 539 receiver

679 Signage Kit (supplied standard)



(1 per switch)



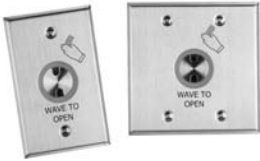
(1 per switch)



(2 per operator)

WAVE-TO-OPEN SWITCHES

Available With	700, 704
6300 Series	✓
6000 Series	✓
5800 Series	✓
5700 Series	✓
5600 Series	✓
5500 Series	✓



700

Wave-to-Open Wall Switch

- » Single gang and double gang packaged together
- » Sensor requires movement for activation
- » Variable relay – hold time from 0 – 35 seconds
- » Range 0" to 4"
- » Dimensions:
3" W x 4-3/4" H (single);
4-1/2" W x 4-1/2" H (double)



704

Narrow Wave-to-Open Wall Switch

- » Narrow gang
- » Sensor requires movement for activation
- » Variable relay - hold time from 0-35 seconds
- » Range 0" to 4"
- » Durable stainless steel body holds up in moist environments

PUSH PLATE, SWITCH POST, MOTION SENSOR

Available With	638, 639, 530, 500, 663
6300 Series	✓
6000 Series	✓
5700 Series	✓
5500 Series	✓



638

Low Profile Push Plate

- » 36" x 6" activation zone
- » 1" low profile depth
- » Stainless steel face plate
- » Adapts to either wireless or hard wired installations
- » 638 - Wireless
- » 639 - Hard wired



500

Switch Post

- » 4" x 6" x 40" x 3/16" wall thickness
- » 9 volt battery
- » RF temperature range: -4° F to 122° F
- » 689 (aluminum) or 690 (dark bronze) finishes
- » Standard formed plastic cap
- » Surface mounted (above ground)
- » 530 - radio frequency transmitter
- » 500 - hard wired switch
- » 530POST - post only; switch not included



663*

Motion Sensor

- » 4-3/4" x 3-3/16" x 2" projection
- » Unidirectional
- » Black cover
- » SPDT relay
- » Adjustable angle pattern
- » 24 VDC input
- » Must not be placed where motion of door can be sensed

Note:

- » Metal enclosures can reduce signal strength and cause an intermittent or reduced signal reception when using a radio frequency transmitter. To ensure proper function, do not use metal conduit housing.
- » Bright light like direct sunlight can interfere with the Wave To Open signal.
- * Use of motion sensor must be approved by local authority having jurisdiction.

ACCESSORIES

LOW ENERGY POWER OPERATOR

PRESENCE DETECTOR, SENSOR

Available With	585, 596
6300 Series	✓
6000 Series	✓



585

Presence Detector

- » Diffused active infrared technology
- » 11.8" l x 1.9" h x 1.9" w
- » Black anodized aluminum
- » 9'x0" maximum mounting height
- » Supply voltage: 24VAC/DC



596

Sensor

- » Active infrared safety sensor
- » Detection range 0-8'
- » 36", 42" or 48" width (specify when ordering)
- » 8'x0" maximum mounting height

EXECUTIVE PACKAGE

Available With	5900EXPG
6300 Series	✓
5700 Series	✓
5500 Series	✓



5900EXPG

(includes 539 receiver and 536 transmitter)

ACTIVATING DOOR SWITCHES, DECALS

Available With ADA1019-1, ADA1019-2, ADA1019-3, ADA1019-4,
ADA1012-1, ADA1012-2, ADA1014

5800 Series ✓



ADA1019-1:

4-1/2" square push button assembly

ADA1019-2

4-1/2" square push button assembly with RF transmitter

ADA1019-3

4-1/2" square push button assembly with DPDT switch

ADA1019-4

4-1/2" square push button assembly with DPDT switch with RF transmitter



ADA1012-1

1-3/4" push button assembly

ADA1012-2

1-3/4" push button assembly with RF transmitter



ADA1014

Decal pack

PRODUCT COMPARISON

LOW ENERGY POWER OPERATOR

FEATURES	ELECTROHYDRAULIC			ELECTROMECHANICAL		
	6000	5700	5500	6300	5800	5600
Non-Handed	Yes	Yes	Yes	Yes	Yes	Yes
Push or Pull Side Mounting	Yes	Yes	Yes	Yes	Yes	Yes
Push & Go	Yes	No	No	Yes	Yes~	Yes
Backcheck Standard	Yes	Yes	Yes	Yes	Yes	Yes
Door Traffic (Heavy, Moderator or Light)	H	M	M	M-H	M-H	L
Use on Exterior Doors	Yes	Yes	Yes	Yes	Yes	No
Use on Fire Rated Doors	Yes	Yes	Yes	Yes	Yes (90 min)	No
Use of Actuation Devices: Push Buttons, RF and Wave-to-Open Switch*	Yes	Yes	Yes	Yes	Yes	Yes
Integration with Access Control Systems	Yes	Yes	Yes	Yes	Yes	Yes
Mobile Setup	No	No	No	Yes	No	No
Pair or Double Door Option	Yes	Yes	Yes	Yes	Yes	Yes
WiFi Interface Setup	No	No	No	Yes	No	No
Warranty	2 yrs	2 yrs	2 yrs	2 yrs	2 yrs	1 yr
Power Supply Included	Yes	Yes	No	Yes	Yes	Yes
Optional Power Cord	No	Yes	No	No	No	Yes
Price	\$\$\$\$	\$\$	\$	\$\$\$	\$\$\$	\$\$

FUNCTIONS

Adjustable Hold Open	Yes	Yes	Yes	Yes	Yes	Yes
Blow Open for Smoke Ventilation	Yes	No	No	Yes	No	No
Dynamic Braking	No	No	No	Yes	Yes	No
Emergency Interface Relay (fire panel input)	No	No	No	Yes	Yes (with WIM)	No
Executive Mode	No	No	No	No	Yes	Yes
Infinite Hold Open	Yes	No	No	Yes	Yes #	No
Latch Assist	No	No	No	Yes	Yes	No
Obstruction Detection	Open/Close	Open	Open	Open/Close	Open	Open/Close
On/Off Switch	No	Yes	Yes	No	Yes	Yes
Open Delay	Yes	Yes	Yes	Yes	Yes (with WIM)	Yes
Outside Push Button Disable	No	No	No	Yes	Yes (with WIM)	No
Overload Safety Shut-Off	Yes	Yes	Yes	No	No	Yes
Power Assist	No	No	No	Yes	No	No
Power Close	No	No	No	Yes	Yes~	No
Presence Detector Input	Yes	No	No	Yes	No	No
Push & Go	Yes	No	No	Yes	Yes	Yes
Selector Mode Switch	Yes	No	No	Yes	No	No
Two Selectable Output Relay	Yes	No	No	No	No	No
Single Relay Output	No	No	No	No	Yes (with WIM)	No
Vestibule Delay	Yes	No	No	Yes	No	No

SPECIFICATIONS

Maximum Door Weight	250 lbs	250 lbs	250 lbs	200 lbs	250 lbs	150 lbs
Current Draw	.9A	.6A	.6A	1.5A	.4A	.6A
Onboard Power Supply for Accessories	24 VDC @ 1.3 A	24 VDC @ 1.1 A	24 VDC @ 1.1 A	24 VDC @ 1.3 A	N/A	24 VDC @ 1.1 A

REGULATORY

ADA	Yes	Yes	Yes	Yes	Yes	Yes
BHMA Certified to A156.19	Yes	Yes	Yes	Yes	Yes	No
Meets UBC 7.2 (1997) and UL10C Positive Pressure Requirements	Yes	Yes	Yes	Yes	Yes	No
Conforms to ANSI/UL 325	Yes (ETL)	Yes (UL)	Yes (UL)	Yes (ETL)	Yes (ETL)	Yes (ETL)

~ PRO Plus only, # Auxiliary switch required

General door usage guidelines for more common applications:
Potential Applications

Potential Applications	Usage	Norton Operators best suited for these usage rates
Large department store entrance	Heavy	6000
Large office building entrance		
Theatre entrance		
School entrance		
School restroom entrance		6300
Store or bank entrance		5800
Office building restroom entrance		
School corridor door	Moderate	5700
Office building corridor door		
Store restroom entrance		5500
Building entrance door	Light	5600
Non-Fire Rated building restroom door		
Non-Fire Rated building hallway door Light 5600		
Non-Fire Rated building supply closet door		

Note: In addition to automatic cycles, certain factors must be taken into consideration, such as door weight and location, code requirements, and other aspects related to the specific application. Consult local authority having jurisdiction.

The ASSA ABLOY Group is the global leader in access solutions. Every day, we help billions of people experience a more open world.

ASSA ABLOY Opening Solutions leads the development within door openings and products for access solutions in homes, businesses and institutions. Our offering includes doors, frames, door and window hardware, locks, perimeter fencing, access control and service.

Since 1880, Norton door controls have been an integral part of schools, hospitals and businesses around the globe. When you need products and people that perform at the highest level, rely on Norton – From Open to Close.

Norton Door Controls | www.nortondoorcontrols.com
3000 Highway 74 East | Monroe, NC 28112 | 1.877.974.2255

ASSA ABLOY Opening Solutions
Door Security Solutions Canada | www.assaabloy.ca
160 Four Valley Drive | Vaughan, ON L4K 4T9 | 800.461.3007