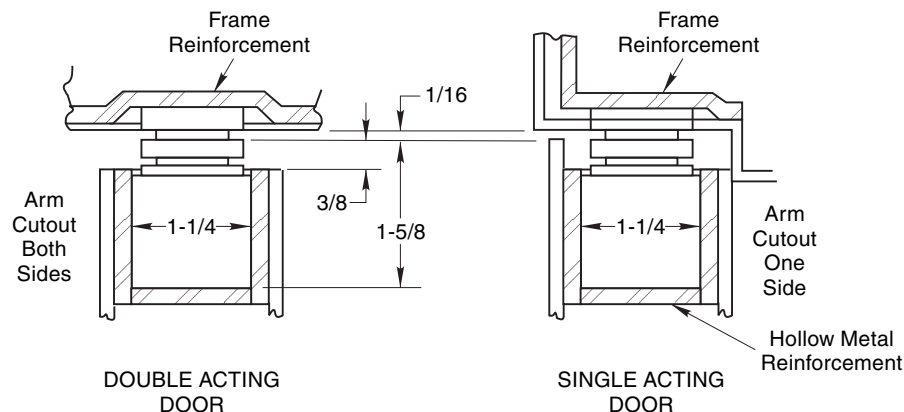


3. Locate "A" and "F" dimensions on centerline of door and mortise 1-5/8" deep for channel. 1/16" head clearance shown. Coordinate the arm and rail cutout dimensions if head clearance varies.



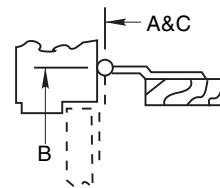
4. Drill 1/2" diameter control knob hole for door holders only.
5. Locate "C" and "E" dimensions on top of door and mortise 3/8" deep as shown for arm cutout.
6. Install door stop or holder with screws provided. Install control knob last.

**NOTES:**

- All hollow metal frames are to be provided with 3/16" min. thickness x 12" min. length reinforcement plates.
- All hollow metal doors are to have minimum 3/16" reinforcement plates.
- If dead stop is required add 5/8" to "A" dimension as noted on opposite side of page.
- A, B and C dimensions are measured from centerline of pivot, not edge of door.
- Left hand shown, right hand opposite.
- All dimensions are given in inches.

**CAUTION:**

Note location of swing clear hinge centerline to determine "A", "B" and "C" dimensions.



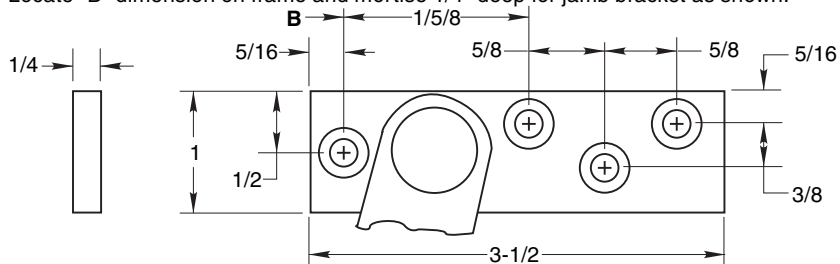
Screw Details	
Jamb	Door
1/4-20 x 3/4" FHMS or #14 x 1-1/2" FHWS	5/16-18 x 1-1/2" FHMS or #18 x 3" FHWS

**INSTALLATION INSTRUCTIONS**

1. Determine degree of hold open or dead stop required. Then select proper dimensions from chart on opposite side of page. Add 5/8" to "A" dimension for dead stop.

**NOTE: A, B and C dimensions are measured from hinge center, not edge of door.**

2. Locate "B" dimension on frame and mortise 1/4" deep for jamb bracket as shown.



**No. 1 Series  
Concealed Door Stops and Holders**

**RIXSON**  
**ASSA ABLOY**

www.rixson.com

TEMPLATE NUMBER

DATE

**OH80000A**

**07-16**

**No. 1 Series Concealed Door Stops and Holders**

1. See other side for installation instructions.
2. Select proper dimensions noted below.
3. Add 5/8" to "A" dimension for dead stop.
4. All dimensions given in inches.

**When Using Center Hung Pivots, Check Pivot Manufacturer's Compatibility Prior to Specifying**

\* Butt mounting only.  
Reversible, non-handed

	Device Number			Degree	85° H.O.				90° H.O.				95° H.O.				100° H.O.				105° H.O.				110° H.O.				
	Fric-tion	H.O.	Stop	Door Opening	A	B	C	E	A	B	C	E	A	B	C	E	A	B	C	E	A	B	C	E	A	B	C	E	F
1 3/4 - 2 1/4 Butts & 3/4 Offset Pivot	1-116	1-126	1-136	24 - 28	7/16	5/2	4 3/4	11 7/8	4 1/8	5/16	4 1/2	13 1/4	* 3 13/16	* 4 7/8	3	14 7/16	* 3 1/2	* 4 9/16	1 1/2	15 5/8	* 3 1/4	* 4 5/16	*	16 7/8	* 3 1/16	* 4 1/8	*	16 5/8	3/16
	1-216	1-226	1-236	28 1/16 - 33	3/16	9/16	6	15 3/4	5 13/16	3/16	5 1/2	15 7/8	5 7/16	5 13/16	4 1/2	16 1/2	* 5 1/8	* 5 1/2	* 3 1/2	17 3/16	* 4 7/8	* 5 1/4	* 2 1/4	18 3/16	* 4 5/8	* 5	* 1	* 19 1/8	18 7/16
	1-316	1-326	1-336	33 1/16 - 38	9 3/4	7 7/8	7 3/4	19 1/16	9 5/16	7 7/16	7 1/4	19 1/8	8 7/8	7	6 3/4	19 1/8	8 7/16	6 9/16	6 1/4	19 1/4	8 1/8	6 1/4	5 1/2	19 5/8	7 7/8	6	4 1/4	20 5/8	19 15/16
	1-416	1-426	1-436	38 1/16 - 43	12 11/16	9 11/16	9 1/2	22 3/8	12 3/16	9 3/16	9	22 3/8	11 11/16	8 11/16	8 1/2	22 3/8	11 3/16	8 3/16	8	22 3/8	10 3/4	7 3/4	7 1/2	22 3/8	10 7/16	7 7/16	7 1/4	22 3/8	22 1/16
	1-516	1-526	1-536	43 1/16 - 48	16 5/16	11 1/16	10 3/4	26 1/4	15 11/16	10 7/16	10 1/4	26 1/4	15 1/16	9 13/16	9 1/2	26 1/4	14 9/16	9 5/16	9	26 1/4	14 1/8	8 7/8	8 3/4	26 1/4	13 3/4	8 1/2	8 1/4	26 1/4	23 9/16

NOTE: A, B, and C dimensions measured from centerline of pivot, not edge of door.

	Device Number			Degree	85° H.O.				90° H.O.				95° H.O.				100° H.O.				105° H.O.				110° H.O.				
	Fric-tion	H.O.	Stop	Door Opening	A	B	C	E	A	B	C	E	A	B	C	E	A	B	C	E	A	B	C	E	A	B	C	E	F
1 3/4 - 2 1/4 Center Hung	--	--	--	--	--	--	--	--	--	--	--	--	--	--	--	--	--	--	--	--	--	--	--	--	--	--	--	--	--
	1-216	1-226	1-236	30 - 36	6 5/8	7	6 3/4	15 3/8	6 1/4	6 5/8	6 3/8	15 3/8	5 7/8	6 1/4	6	15 3/8	5 9/16	5 15/16	5 3/4	15 3/8	5 5/16	5 11/16	5 1/2	15 3/8	--	--	--	19 1/8	18 7/16
	1-316	1-326	1-336	36 1/16 - 41	10 3/8	8 1/2	8 1/4	19 1/8	9 7/8	8	7 3/4	19 1/8	9 7/16	7 9/16	7 3/8	19 1/8	9 1/16	7 3/16	7	19 1/8	8 11/16	6 13/16	6 1/2	19 1/8	8 3/8	6 1/2	6 1/4	19 1/8	19 15/16
	1-416	1-426	1-436	41 1/16 - 46	13 1/4	10 1/4	10	22 3/8	12 5/8	9 5/8	9 3/8	22 3/8	12 1/8	9 1/8	9	22 3/8	11 5/8	8 5/8	8 1/2	22 3/8	11 1/4	8 1/4	8	22 3/8	10 7/8	7 7/8	7 3/4	22 3/8	22 1/16
	1-516	1-526	1-536	46 1/16 - 50	17	11 3/4	11 1/2	26 1/8	16 1/4	11	10 3/4	26 1/8	15 9/16	10 5/16	10	26 1/8	15 1/16	9 13/16	9 1/2	26 1/8	14 5/8	9 3/8	9	26 1/8	14 3/16	8 15/16	8 3/4	26 1/8	23 9/16

**No. 1 Series  
Concealed Door Stops and Holders**

**RIXSON**  
**ASSA ABLOY**

www.rixson.com

TEMPLATE NUMBER

DATE

**OH80000B**

**07-16**