

PARTS LIST

1331 Series Door Closer

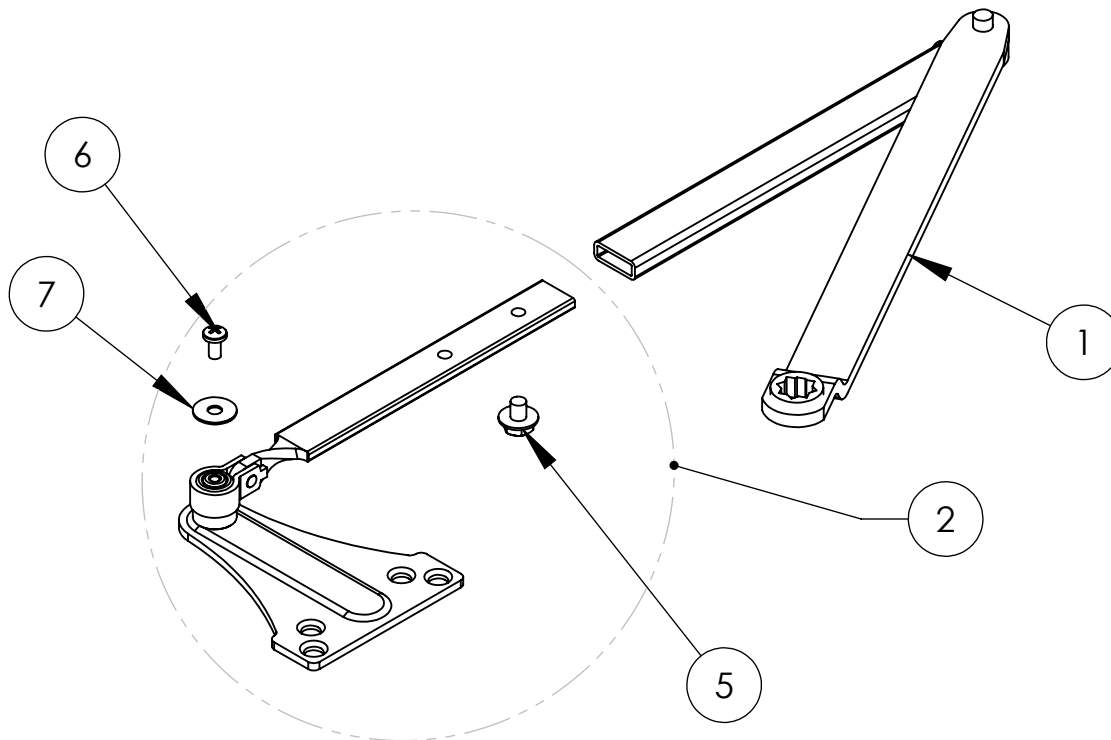
25-JP9 Parallel Arm

PARTS LIST

PAGE No. 2C REV. B

3/2011

ITEM No.	PART No.	DESCRIPTION	QTY.
1	* 61-2761	JO MAIN ARM ASSEMBLY	1
2	* 61-2768	JP9 ARM & FOOT BARACKET ASSEMBLY	1
3	* 61-2765	SCREW PACK	1
4	* 01-2300	WOOD SCREW #12 x 1-1/2"	4
5	* 61-0308	SWIVEL ARM SCREW	1
6	* 01-1140	10-24 x 3/8" PH PAN HEAD M.S.	1
7	* 01-9063	WASHER	1



* FINISH REQUIRED: POWDER COAT FINISHES - EB, EN, ED, EP, EAB
FOR PLATED FINISHES CONSULT FACTORY

© SARGENT Manufacturing Company. An ASSA ABLOY Group Company. All Rights reserved.

SARGENT®
ASSA ABLOY