



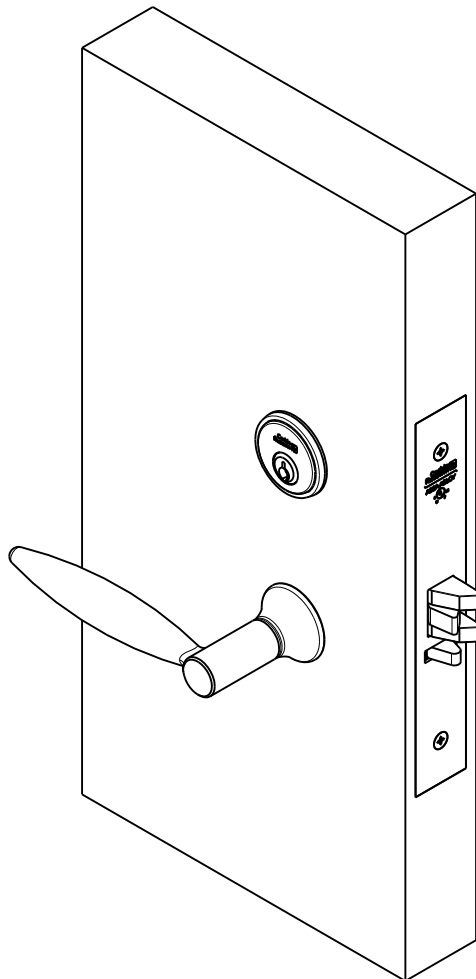
ASSA ABLOY

MORTISE LOCK INSTALLATION INSTRUCTIONS

INSPIRE™ ROSELESS DESIGNER TRIM

FM 340
Rev. 2/11

MUSÉE®



MUSÉE®

TABLE OF CONTENTS:

DOOR PREPARATION	1
ML2000 LOCK HANDING	2
FULL WORKING TRIM (STD)	3
HALF WORKING TRIM (M30)	6
FULL DUMMY TRIM (ML2070)	8
HALF DUMMY TRIM (ML2050)	9
CYLINDER / TURN-PIECE	10

**LOCK HANDING IS CRITICAL TO ENSURE LOCK
FUNCTIONS PROPERLY**

DOOR PREPARATION:

TEMPLATE

FULL WORKING TRIM:	T31183
HALF WORKING TRIM:	T31184
FULL DUMMY TRIM:	T31186
HALF DUMMY TRIM:	T31187

**ALL TEMPLATES CAN BE FOUND AT
WWW.CORBINRUSSWIN.COM/Library/Templates**

Mortise Lock Handing Instructions

Step 1) Move the Red locking screw to side of lock-body being locked (Fig. 1)

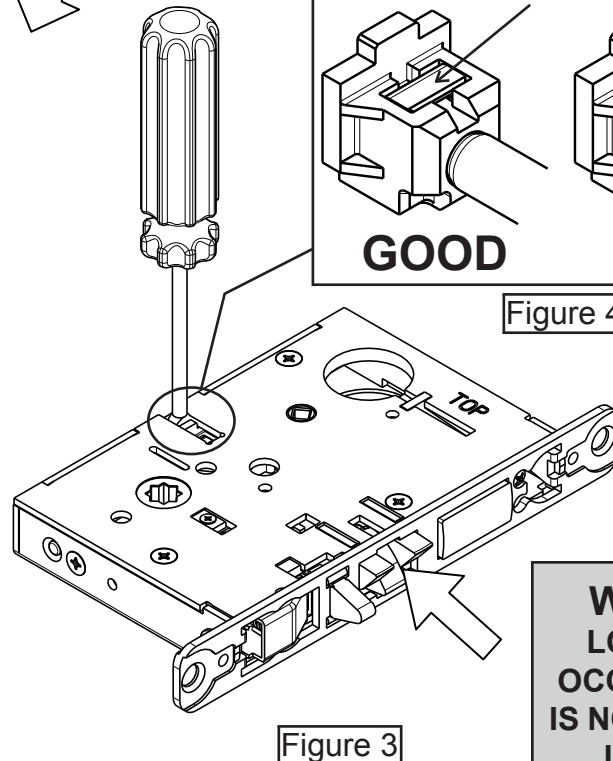
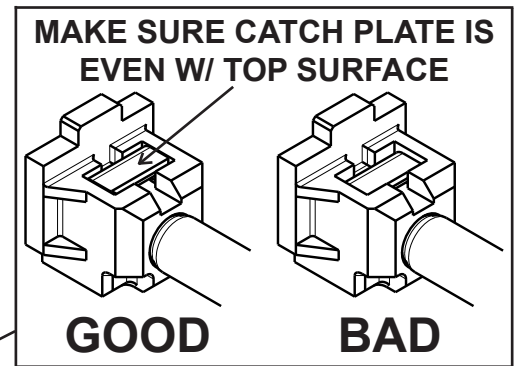
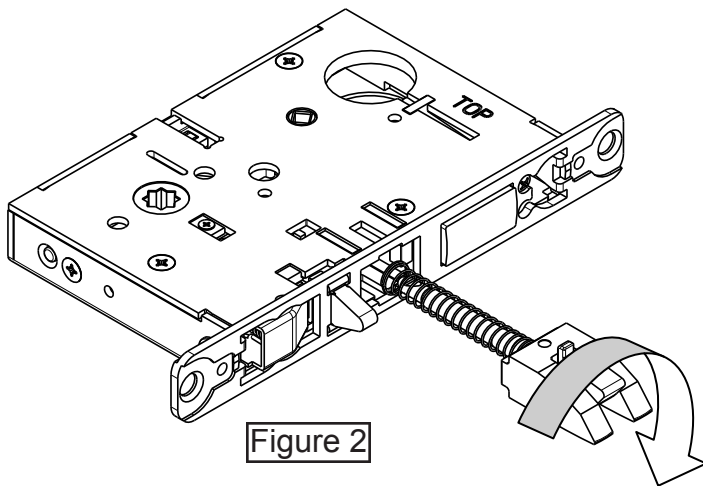
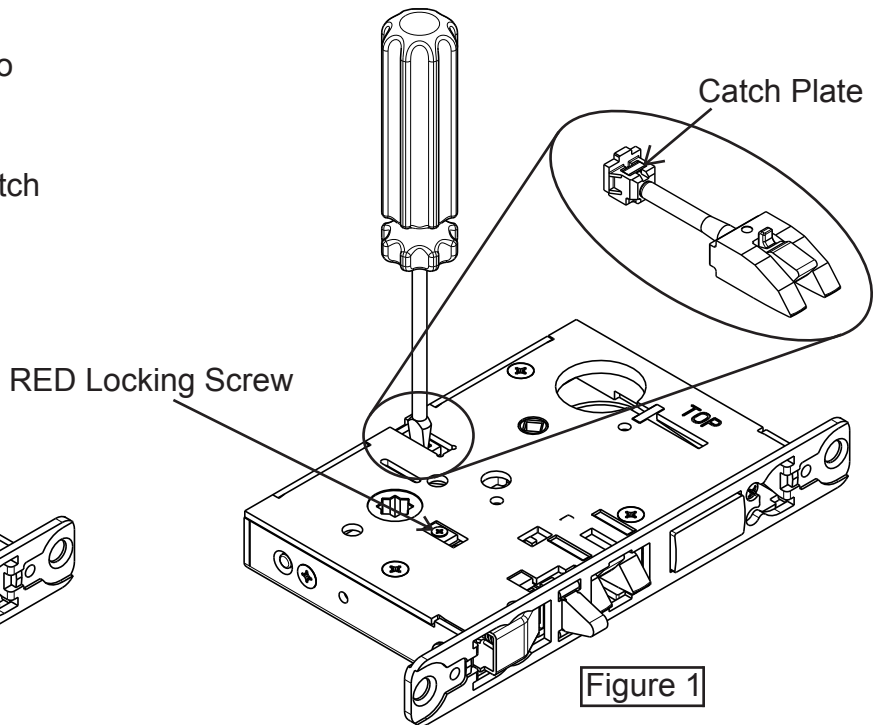
Step 2) Push in latch then depress catch plate with screw driver (Fig. 1)

Step 3) Pull latch out of lock-body and turn latch over (Fig. 2)

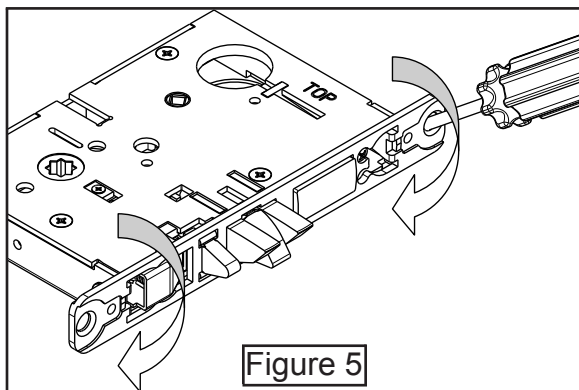
Step 4) Push in latch while holding screw driver behind latch tail (Fig. 3)

Note: Push in latch until catch plate is no longer depressed (Fig. 4)

Step 5) Rotate lock front to match level of door as shown (Fig. 5)



WARNING:
LOCK-IN CAN
OCCUR IF LATCH
IS NOT PROPERLY
INSTALLED



INSTALLATION INSTRUCTIONS

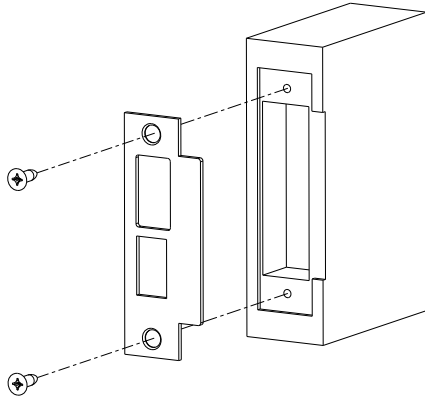
INSPIRE™ Mortise Trim Instructions
FM 340 Rev. 2/11

Corbin
Russwin

ASSA ABLOY

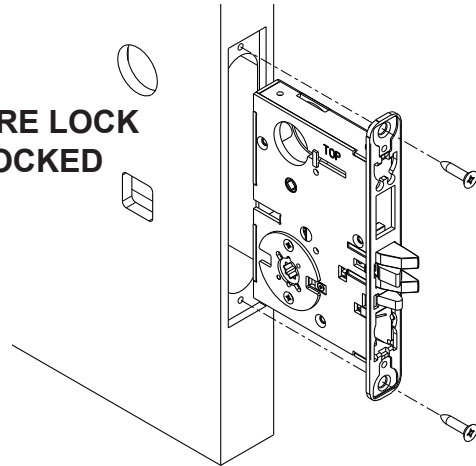
FULL TRIM (STD) INSTALLATION

Step 1) Install strike with shorter 3/4" mounting screws

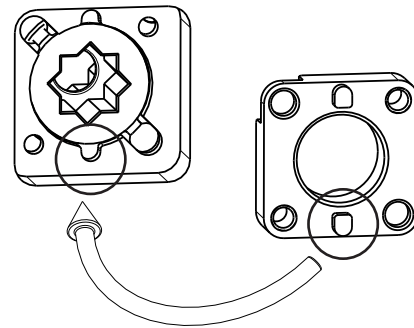
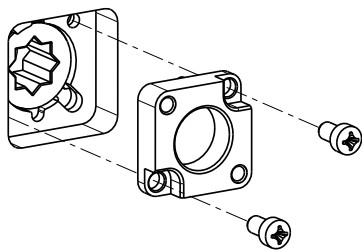


Step 2) Insert mortise lock into door and hand tighten longer 1" mounting screws

MAKE SURE LOCK IS UNLOCKED

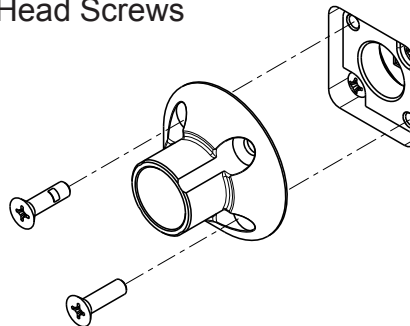


Step 3) Install spacer blocks on both sides of lock-body with 1/4" Fillister Head Screws



Note:
Align tabs on spacer with cutouts on lock-body

Step 4) Install adapter plates on both sides of door using 1/2" Flat Head Screws



INSTALLATION INSTRUCTIONS

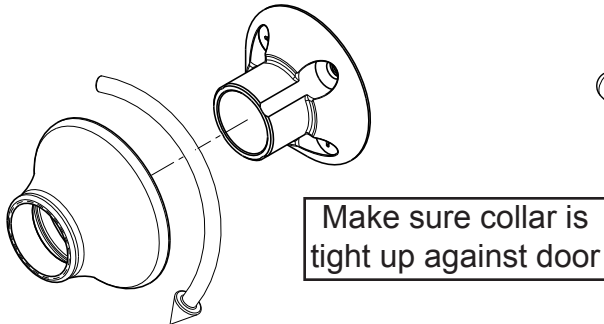
INSPIRE™ Mortise Trim Instructions

FM 340 Rev. 2/11

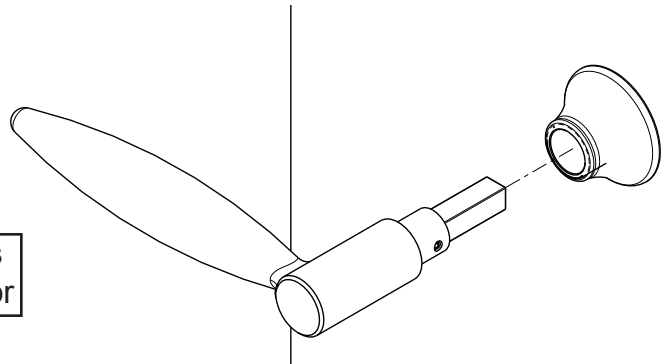
Corbin
Russwin

ASSA ABLOY

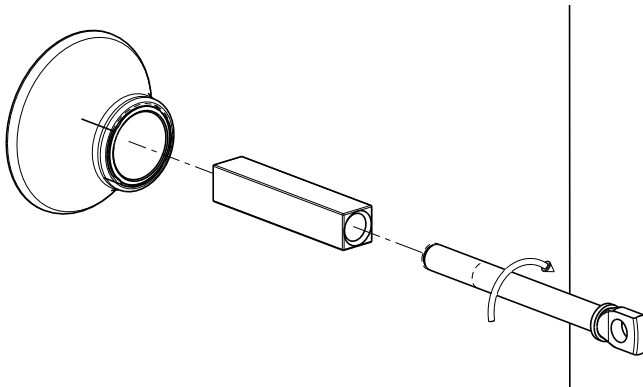
Step 5) Thread collar onto both sides of door using supplied rubber grip



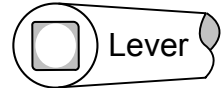
Step 6) Install O/S Lever



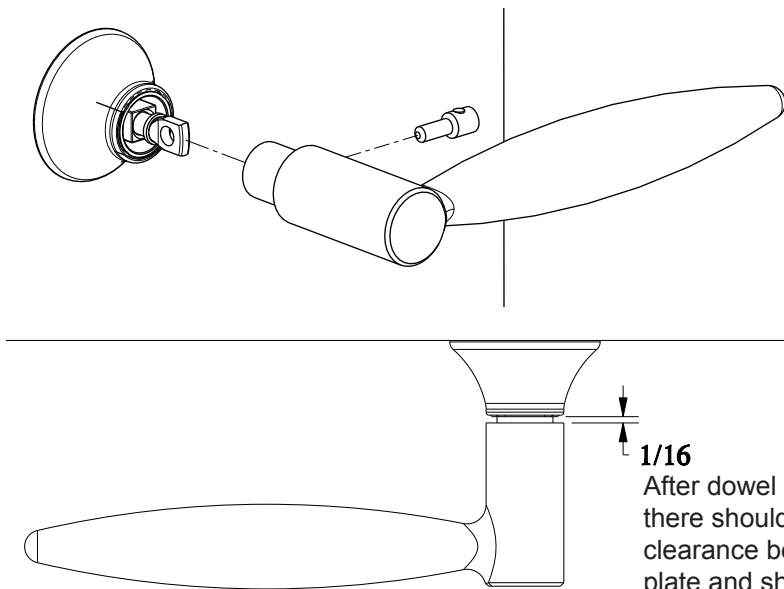
Step 7) Install I/S spindle and adjustment bolt



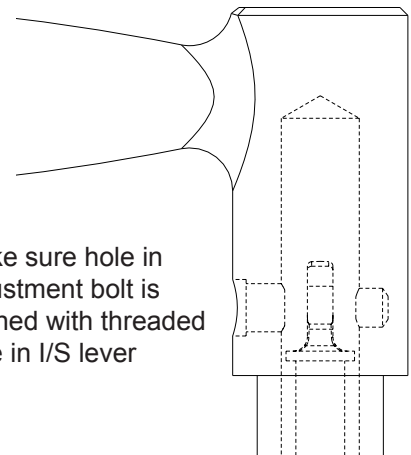
Use Correct Spindle Orientation



Step 8) Install I/S lever with dowel screw



Make sure hole in adjustment bolt is aligned with threaded hole in I/S lever



Step 9) Rotate both levers individually and make sure both levers return. If either lever binds, remove I/S lever and un-thread adjustment bolt 1/2 turn.

INSTALLATION INSTRUCTIONS

INSPIRE™ Mortise Trim Instructions

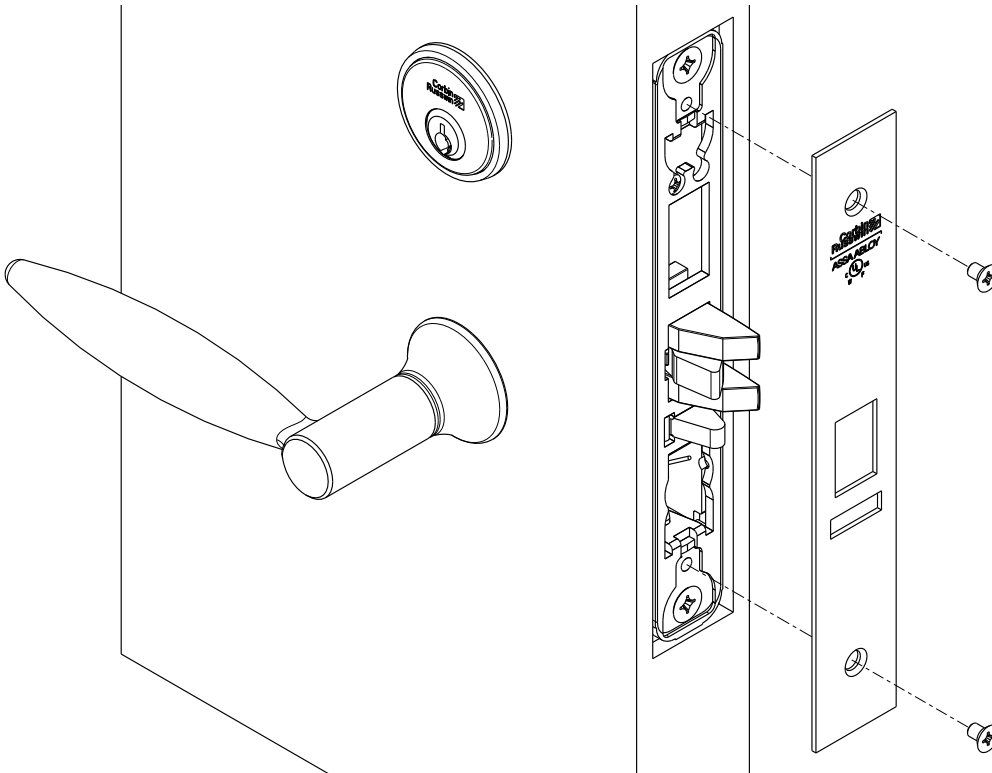
FM 340 Rev. 2/11

Corbin
Russwin

ASSA ABLOY

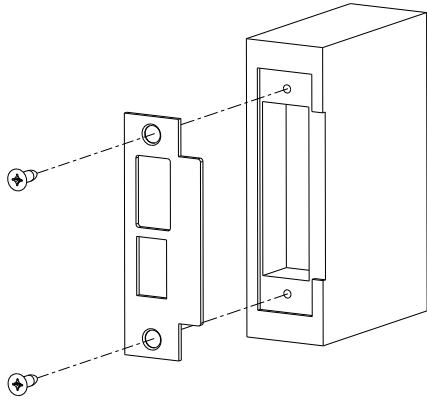
Step 10) If the lock function calls for a cylinder or turn-piece proceed to cylinder and turn-piece instructions on page 10. Otherwise proceed to next step

Step 11) Install scalp using 3/16" Flat Head Screws



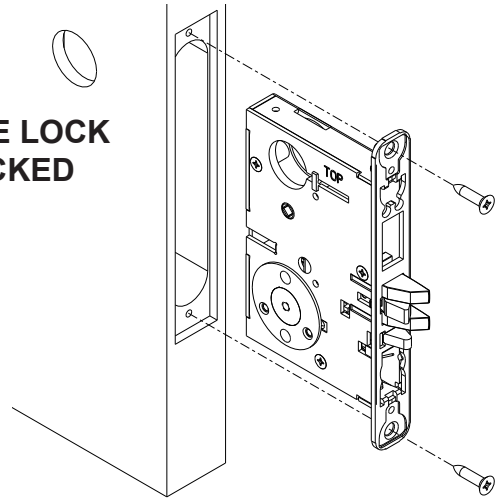
HALF TRIM (M30) INSTALLATION

Step 1) Install strike with shorter (3/4") mounting screws

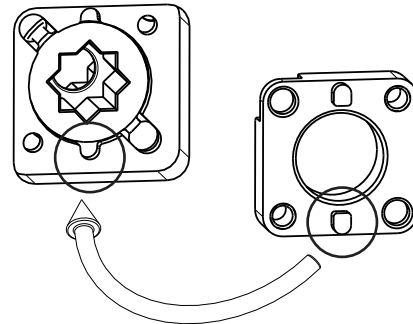
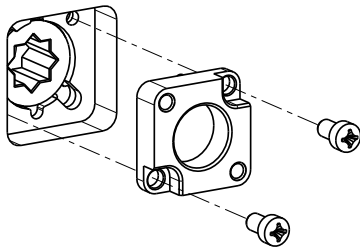


Step 2) Insert mortise lock into door and hand tighten longer (1") mounting screws

MAKE SURE LOCK IS UNLOCKED

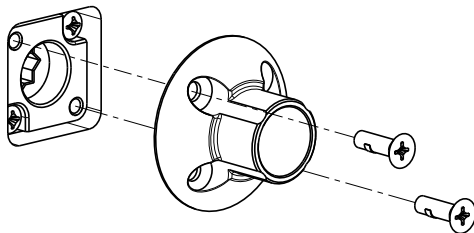


Step 3) Install spacer block on trim side of lock-body with 1/4" Fillister Head Screws

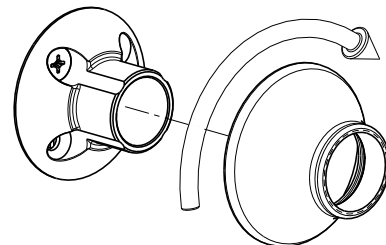


Note:
Align tabs on spacer with cutouts on lock-body

Step 4) Install adapter plate on trim side of door using 1/2" Flat Head Screws



Step 5) Thread collar on trim side of door using supplied rubber grip



Make sure collar is tight up against door

INSTALLATION INSTRUCTIONS

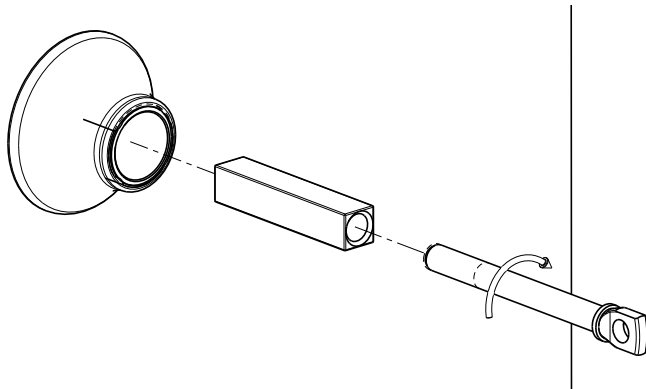
INSPIRE™ Mortise Trim Instructions

FM 340 Rev. 2/11

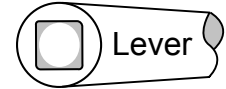
Corbin
Russwin

ASSA ABLOY

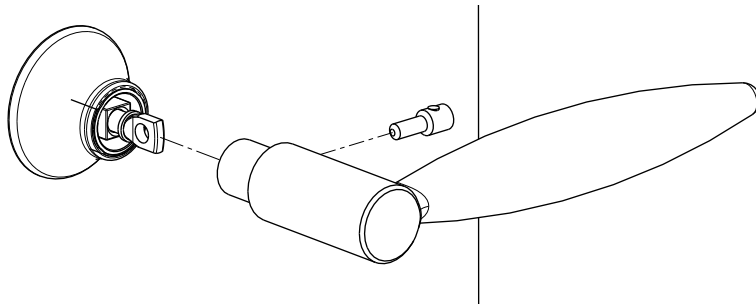
Step 6) Install I/S spindle and adjustment bolt



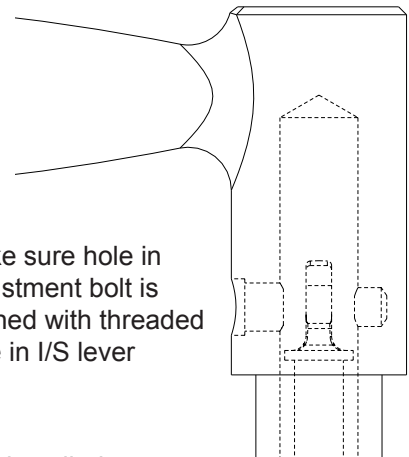
Use Correct Spindle Orientation



Step 7) Install I/S lever with dowel screw



Make sure hole in adjustment bolt is aligned with threaded hole in I/S lever



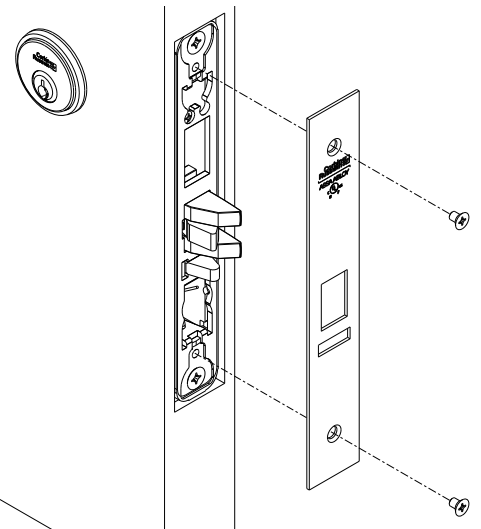
1/16

After dowel screw is installed there should be less than 1/16" clearance between adapter plate and shoulder on lever

Step 8) Rotate both levers individually and make sure both levers return. If either lever binds, remove I/S lever and un-thread adjustment bolt 1/2 turn.

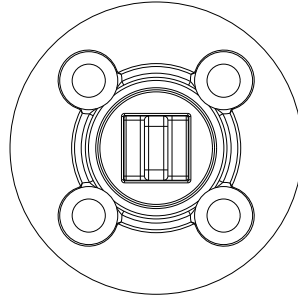
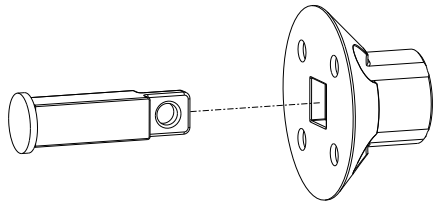
Step 10) If the lock function calls for a cylinder or turn-piece proceed to cylinder and turn-piece instructions on page 10. Otherwise proceed to next step

Step 11) Install scalp using 3/16" Flat Head Screws



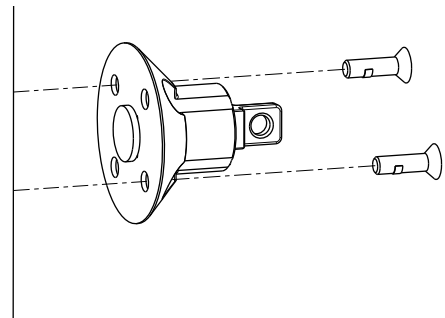
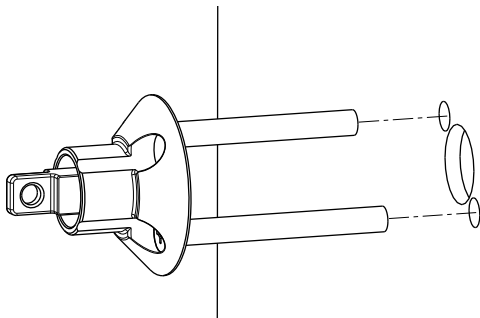
FULL DUMMY TRIM (ML2070) INSTALLATION

Step 1) Insert dummy spindle into both adapter plates

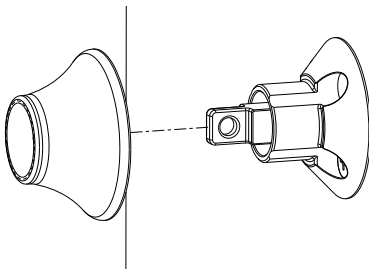


Make sure dummy spindle is aligned as shown

Step 2) Install adapter plate assemblies

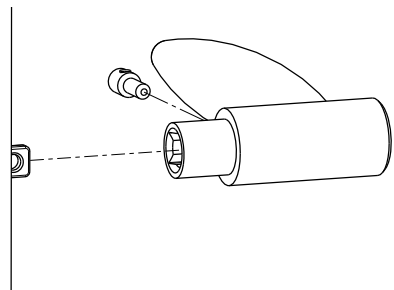
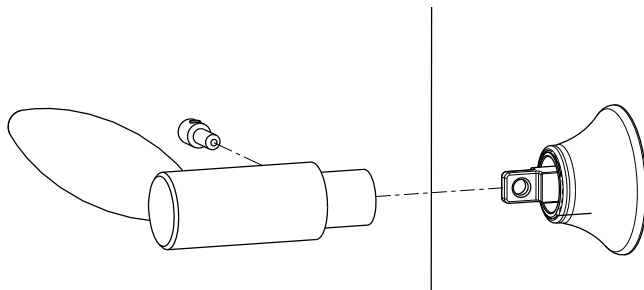


Step 3) Thread collar on both sides of door



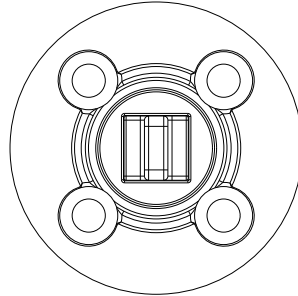
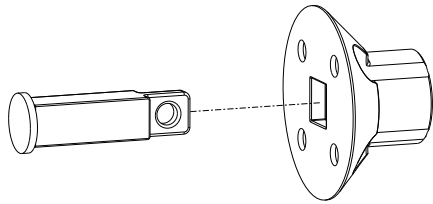
Make sure collar is tight up against door

Step 4) Install lever on both sides of door with dowel screws



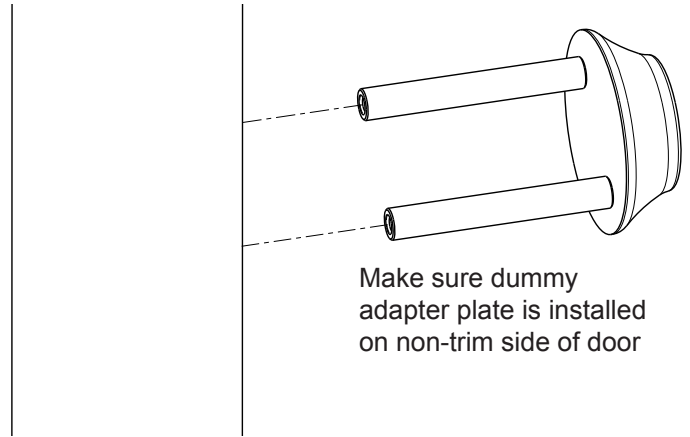
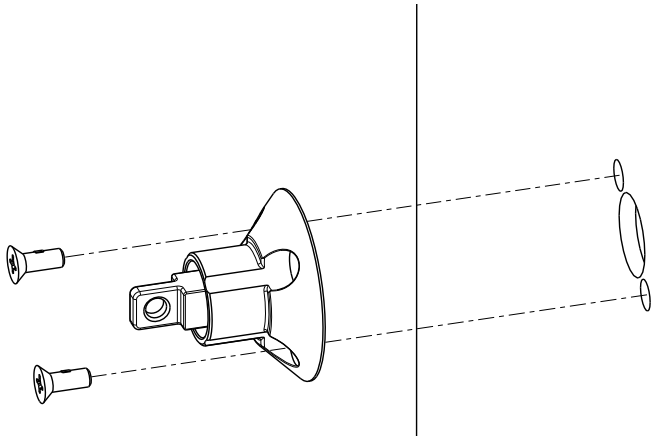
HALF DUMMY TRIM (ML2050) INSTALLATION

Step 1) Insert dummy spindle into adapter plate



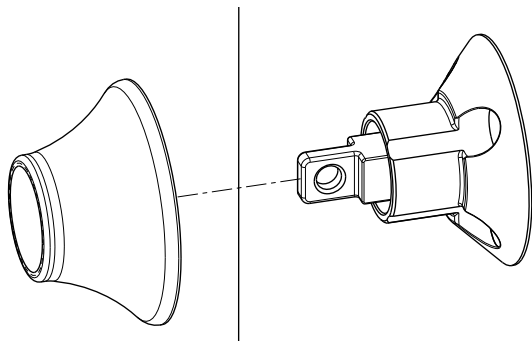
Make sure dummy spindle is aligned as shown

Step 2) Install adapter plate assemblies



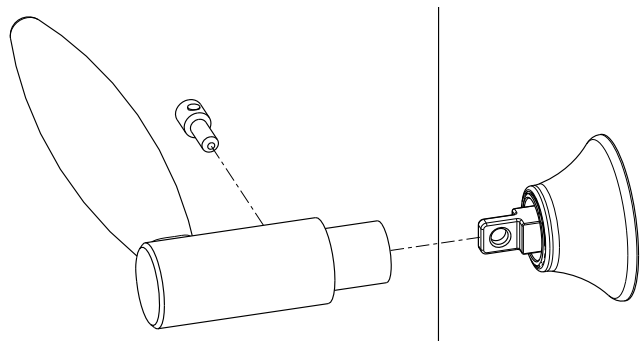
Make sure dummy adapter plate is installed on non-trim side of door

Step 3) Thread collar on trim side of door



Make sure collar is tight up against door

Step 4) Install lever on trim side of door with dowel screw



INSTALLATION INSTRUCTIONS

INSPIRE™ Mortise Trim Instructions

FM 340 Rev. 2/11

Corbin
Russwin

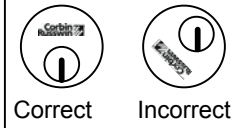
ASSA ABLOY

CYLINDER AND TURN-PIECE INSTALL

Cylinder Install:

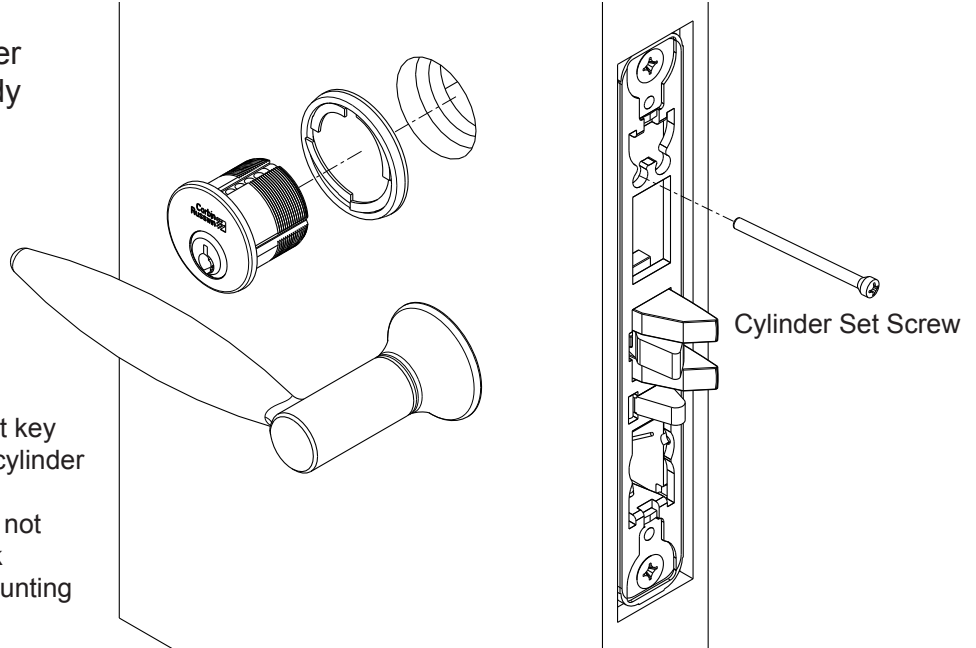
- Push cylinder collar over cylinder then thread cylinder into lock-body
- Secure cylinder with set screw

NOTE: Key and cylinder must be rotated as shown



Note:

- Slightly retract key to help thread cylinder into lock-body
- If cylinder will not thread into lock loosen lock mounting screws



Turn-Piece Install:

- Mark turn-piece mounting holes then drill two .110" holes where marked
- Make sure turn-piece is vertical when lock is unlocked

