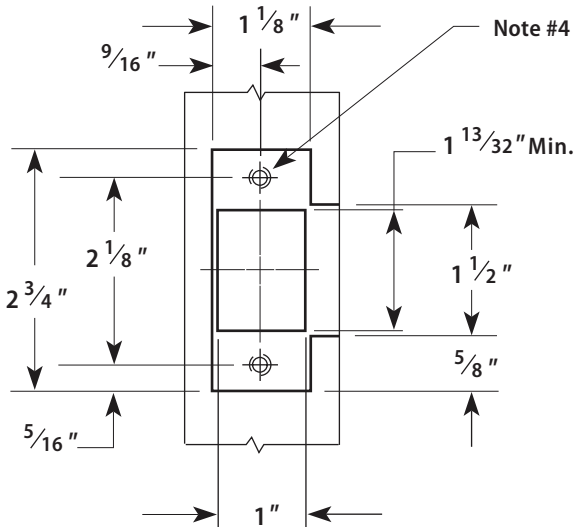
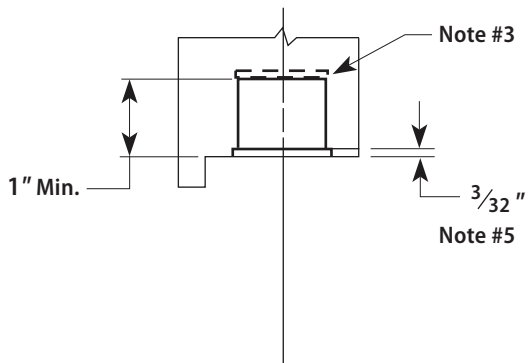
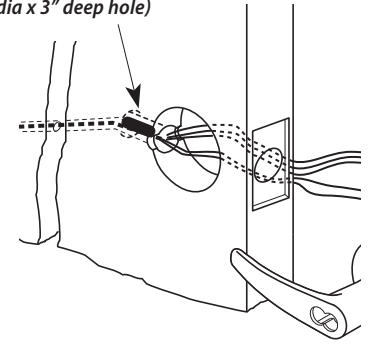


Title Installation Specifications for 83KW & 93KW Electrified Cylindrical Locks		Series 83KW, 93KW	Backset 2 3/4"	Functions DEU, DEL	Strike Small ANSI strike (STK)	Door thickness 1 3/4" - 2 1/4"	Rev date 10/2015	Template number W20	Rev E
BEST ACCESS SYSTEMS									

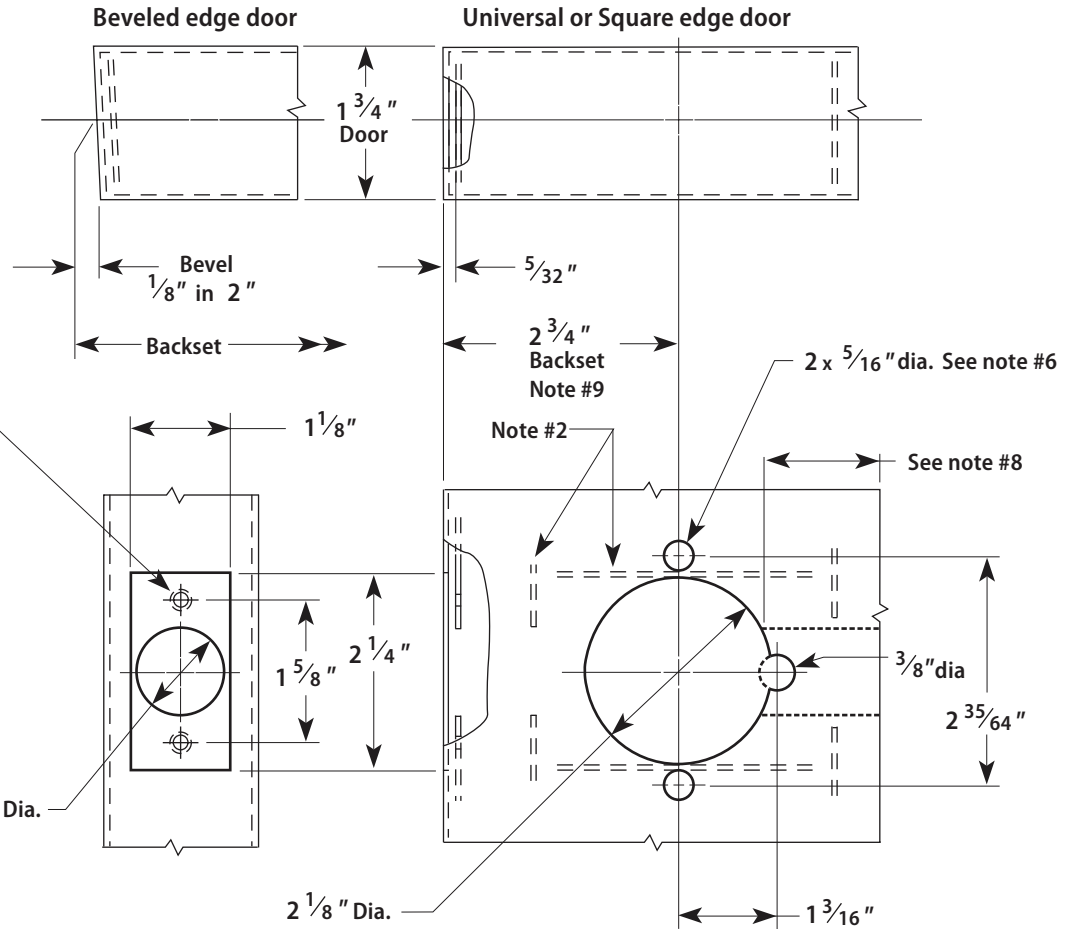
Notes

1. Allow plus tolerance for clearance per ANSI A115.2.
2. Lock and latch case support by door manufacturer.
3. Plaster guard by door manufacturer.
4. Prepare for a #8-32 screw.
5. When a strike box is used, 9/64"
6. For 93KW locks, use the KD303 drill jig to ensure that through-bolts and levers are properly aligned.
7. For all electrified products that require concealed wiring, a 3/8" diameter raceway through the door is required.
8. Extend the latch bore to provide room for TCM connections. (1" dia x 3" deep)
9. For 3-3/4" and 5" backsets, position the vertical centerline of the lock appropriately.

Note #8
Prep TCM hole
(1" dia x 3" deep hole)



Frame Preparation



2 3/4" Backset Door Preparation