

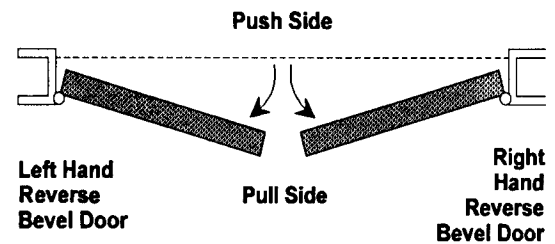
ED8000 Series Pushbar Exit Device A5 and N5 Lever Trim

(For Wood and Metal Doors)

* IMPORTANT:

- Failure to follow these instructions could affect operation of this product and void warranty.
- Exit devices must be securely fastened to properly reinforced doors with fasteners which will not loosen or pull out. Add reinforcement when necessary.
- **Before Installing:** Be sure exit device is proper hand for door.

How to Determine Hand of Door



1. Mark Centerline

Establish centerline of device by drawing line across door and stop, $40\frac{5}{16}$ " (1.02 m) above finished floor unless doors have been pre-prepped.

(See Figure 1).

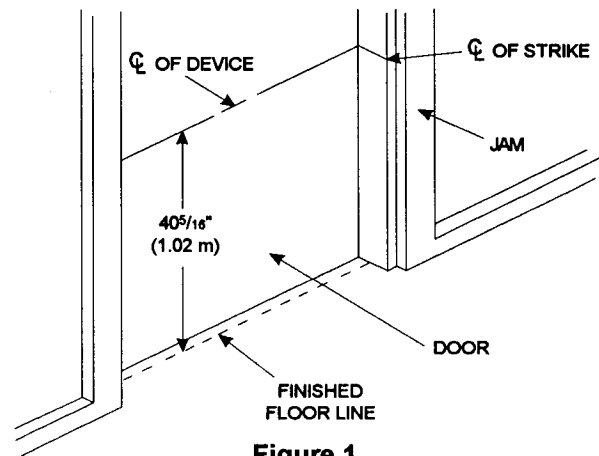


Figure 1

2. Spot and Drill Template Holes

CAUTION: When installed with removable mullion, see instruction sheet packed with mullion.

If door is not prepped with $2\frac{3}{4}$ " (70 mm) backset cylindrical lock cut-out, use template furnished. Spot and drill mounting holes for device, latch assembly and trim (if furnished).

If door has ANSI A115.2 cylindrical lock cut-out:

- Extend horizontal and vertical lines of cut-out (See Figure 2).
- If frame has $\frac{5}{8}$ " (16 mm) stop, align centerlines on template with centerlines on door. Spot, drill and tap mounting holes for device, latch assembly, trim (if furnished), and strike (if applicable).
- If frame has $\frac{1}{2}$ " (13 mm) stop, align centerlines on template with centerlines on door and spot mounting holes for device and trim (if furnished). Then move template up against stop to mark strike holes (if applicable). Note special shim which must be mounted behind strike. Drill and tap all required holes.

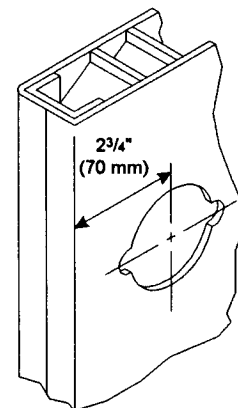


Figure 2

3. Cut Pushbar (If Required)

Follow instructions packed with device.

Installation Instructions

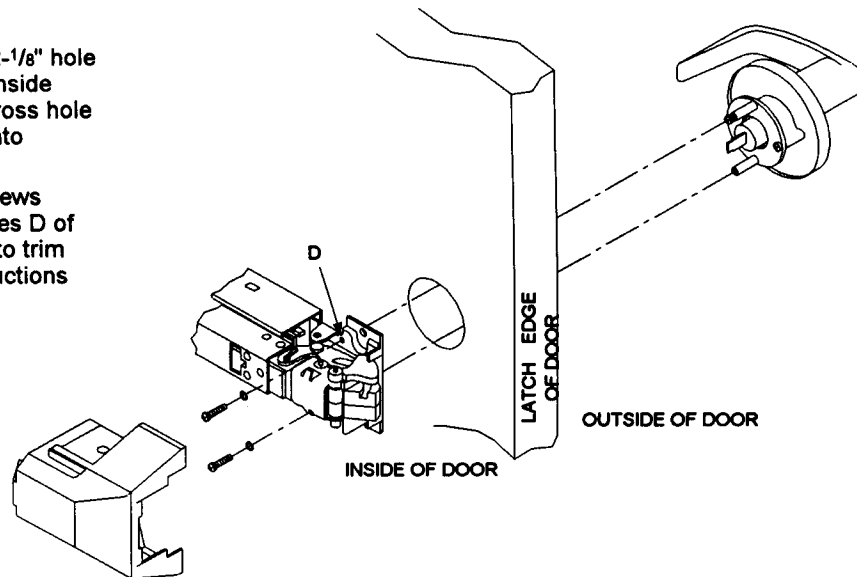
ED8000 Series Pushbar Exit Device A5 and N5 Lever Trim

(For Wood and Metal Doors)

4. Install Trim

Insert trim assembly into 2-1/8" hole and place device against inside surface of door. Be sure cross hole in device head engages onto tailpiece of trim assembly.

Insert two fillister head screws (packed with trim) into holes D of device head and thread into trim posts. Continue with instructions packed with bar.



To Remove and Reinstall Standard Cylinder

REMOVE LEVER

1. Insert key and turn 45° clockwise.
2. Insert removing tool into hole on side of lever and depress retainer.
3. While holding retainer in depressed position, pull lever off.

REMOVE CYLINDER

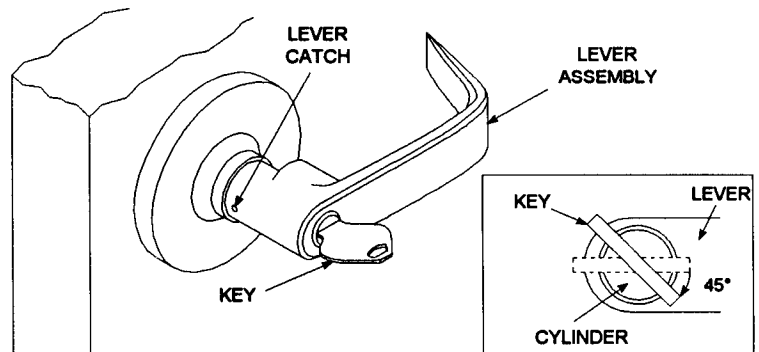
1. Remove key.
2. Remove plastic filler.
3. Slide cylinder out.

REINSTALL CYLINDER

1. Slide cylinder into lever.
2. Install plastic filler.

REINSTALL LEVER

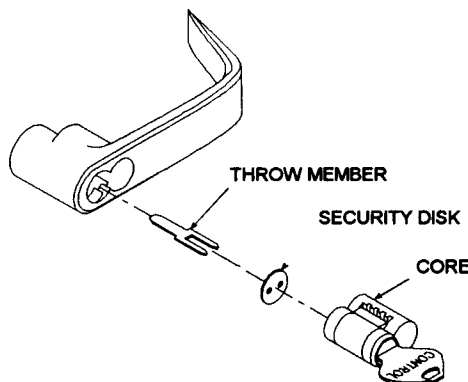
1. Insert key part way. Slide lever onto spindle as far as it will go, using key to guide cylinder into engagement.
2. Insert key fully and turn. Holding key turned, push lever the rest of the way onto spindle.
3. Remove key and pull lever to be sure it is properly retained on spindle.



Interchangeable Core Locksets

If figure-8 core is already installed in lever, no further action is necessary. Otherwise, locate throw member packet and special CONTROL key. Place security disk onto throw member prongs and insert throw member into holes in rear of core. Insert CONTROL key and turn 15° clockwise to retract control lug. Slide core with throw member into lever. As shown here, core must be installed with keyed plug toward edge of door. Turn CONTROL key counter-clockwise and remove.

CONTROL key has no further use in lockset installation and must be safeguarded for return to Security personnel when installation is complete.



**Corbin
Russwin**

In U.S.:
Corbin Russwin, Inc.
225 Episcopal Road
Berlin, CT 06037 USA
Phone: 860-225-7411 Fax: 860-828-7266

In Canada:
Yale-Corbin Canada LTD.
3160 Orlando Drive
Mississauga, Ontario, Canada L4V1R5
Phone: 905-672-6220 Fax: 905-672-9022

FM125 (617350634) Rev. 7/95
Printed in USA Copyright 1995