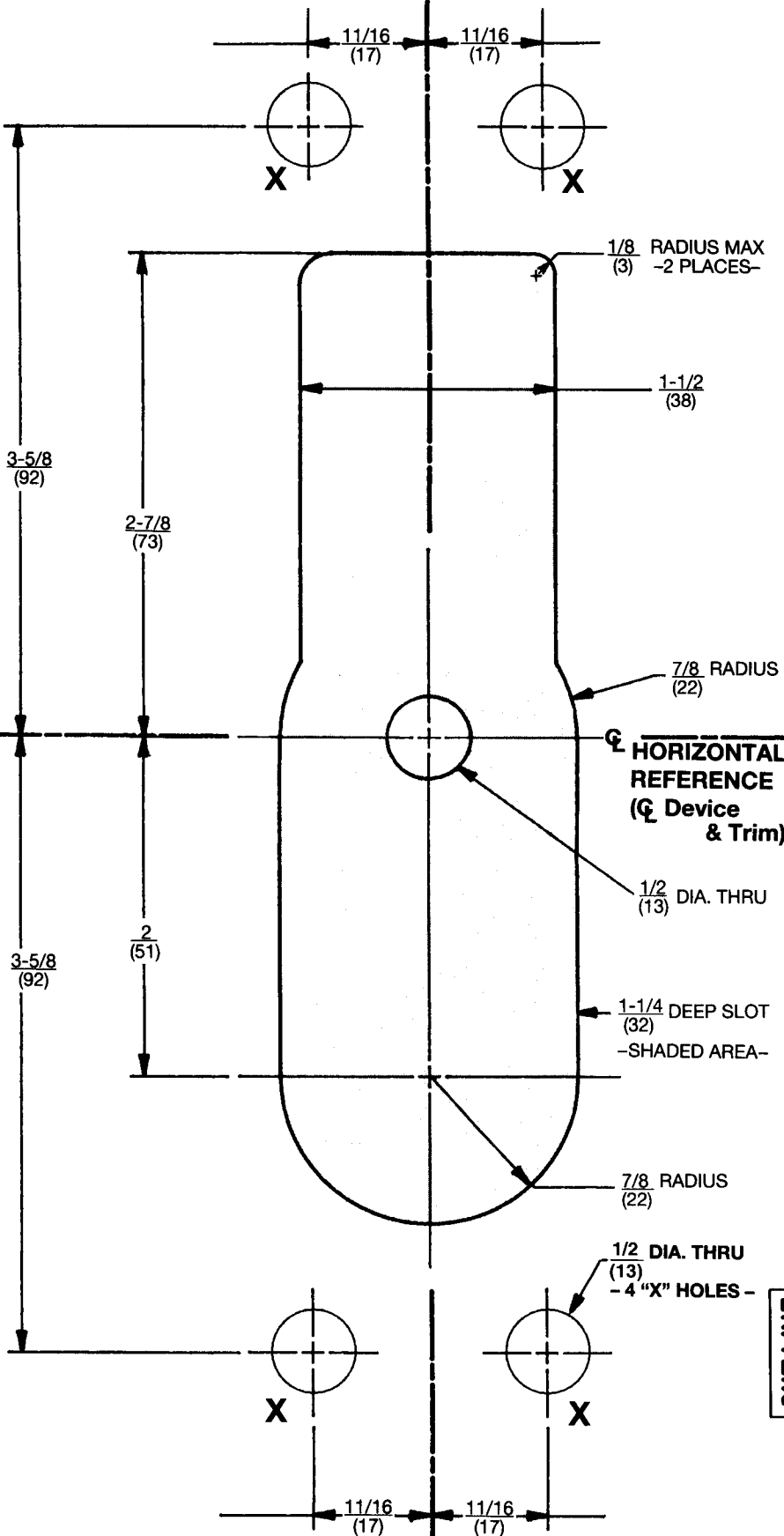


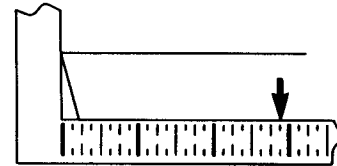
DOOR OUTSIDE FACE

☉ VERTICAL
REFERENCE
(☉ Trim)

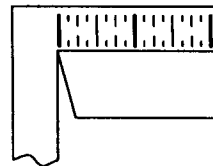


Installation Instructions

1. Assemble trim. See other side for components and instructions.
2. After marking door inside face for device location (Device Instructions), carry "Vertical Reference Centerline" from inside door face. Follow steps 2a. and 2b. below.



2a. MEASURE INSIDE LINE LOCATION.



2b. CARRY DIMENSION TO OUTSIDE FACE.

3. Carry "Horizontal Reference Centerline" from inside to outside door face.
4. Align trim template and tape to door outside face.
CAUTION: Office copiers and facsimile machines may change the size of a drawing and make the template inaccurate to use as a door marker. If this is not the original template packed with the trim, use only the dimensions written on the template to locate the holes on the door (do not use the template as a door marker).
5. Spot holes and prepare door for trim.
6. Mount trim to door. Fasten finger tight only with 2 screws and washers seating on door, as shown in Figure 1.
7. With trim unlocked (tailpiece turning when lock is depressed), cut trim tailpiece as shown in Figure 2.
8. Seat device so that trim tailpiece penetrates slot, as shown in Figure 1. Continue as shown in device instructions.

CUT LINE

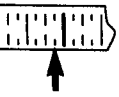


Dimensions given in inches .
(mm)

ns

nts

ation
nce
ps



SION OVER
FACE.

m

may
te
e
oles
rker).

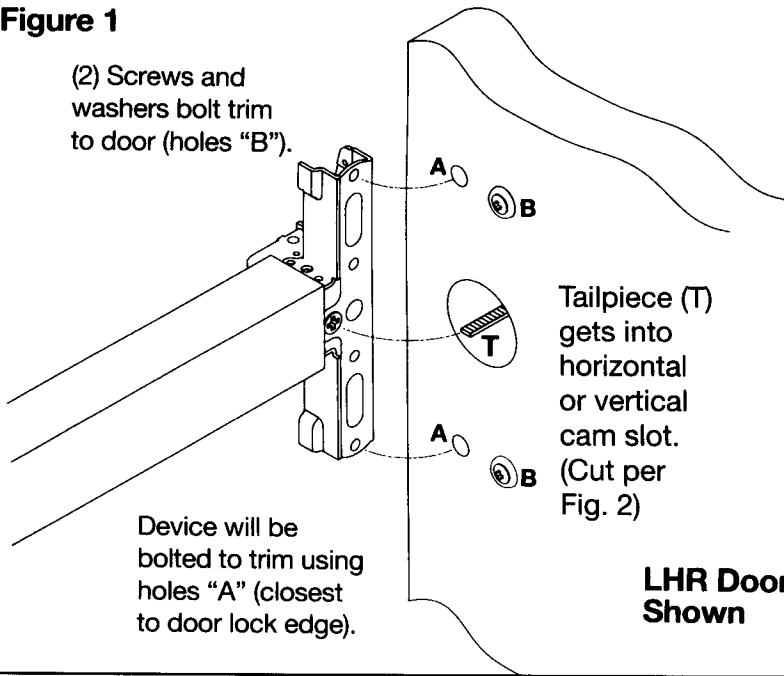
with
shown

ever

cam
wn in

Figure 1

(2) Screws and washers bolt trim to door (holes "B").



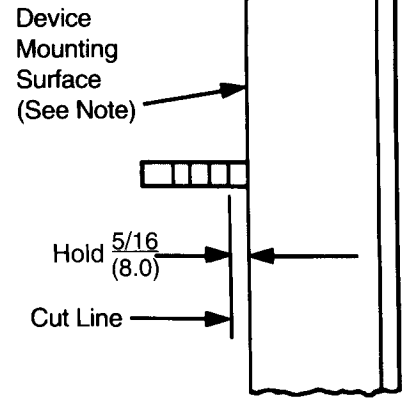
Device will be bolted to trim using holes "A" (closest to door lock edge).

Tailpiece (T) gets into horizontal or vertical cam slot. (Cut per Fig. 2)

LHR Door Shown

Figure 2

Trim must be unlocked (tailpiece fully extended).



NOTE: Measure from device seat (door face or shim surface).

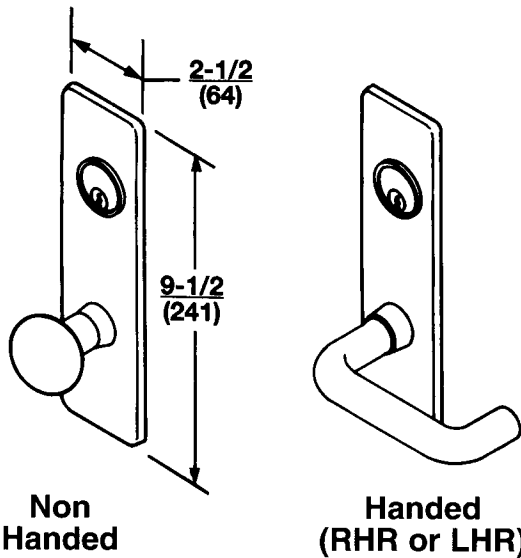
Cylinder locks/unlocks knob or lever.

CLASSROOM FUNCTION:

*755 Key removable with trim locked or unlocked.

STOREROOM FUNCTION:

*759 Key removable only when trim is locked.



Non Handed

Handed (RHR or LHR)

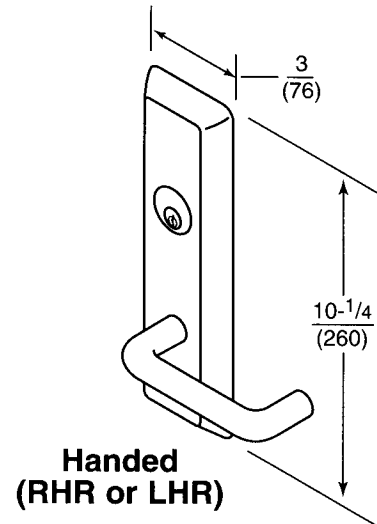
Cylinder locks/unlocks lever.

CLASSROOM FUNCTION:

*955 Key removable with trim locked or unlocked.

STOREROOM FUNCTION:

*959 Key removable only when trim is locked.



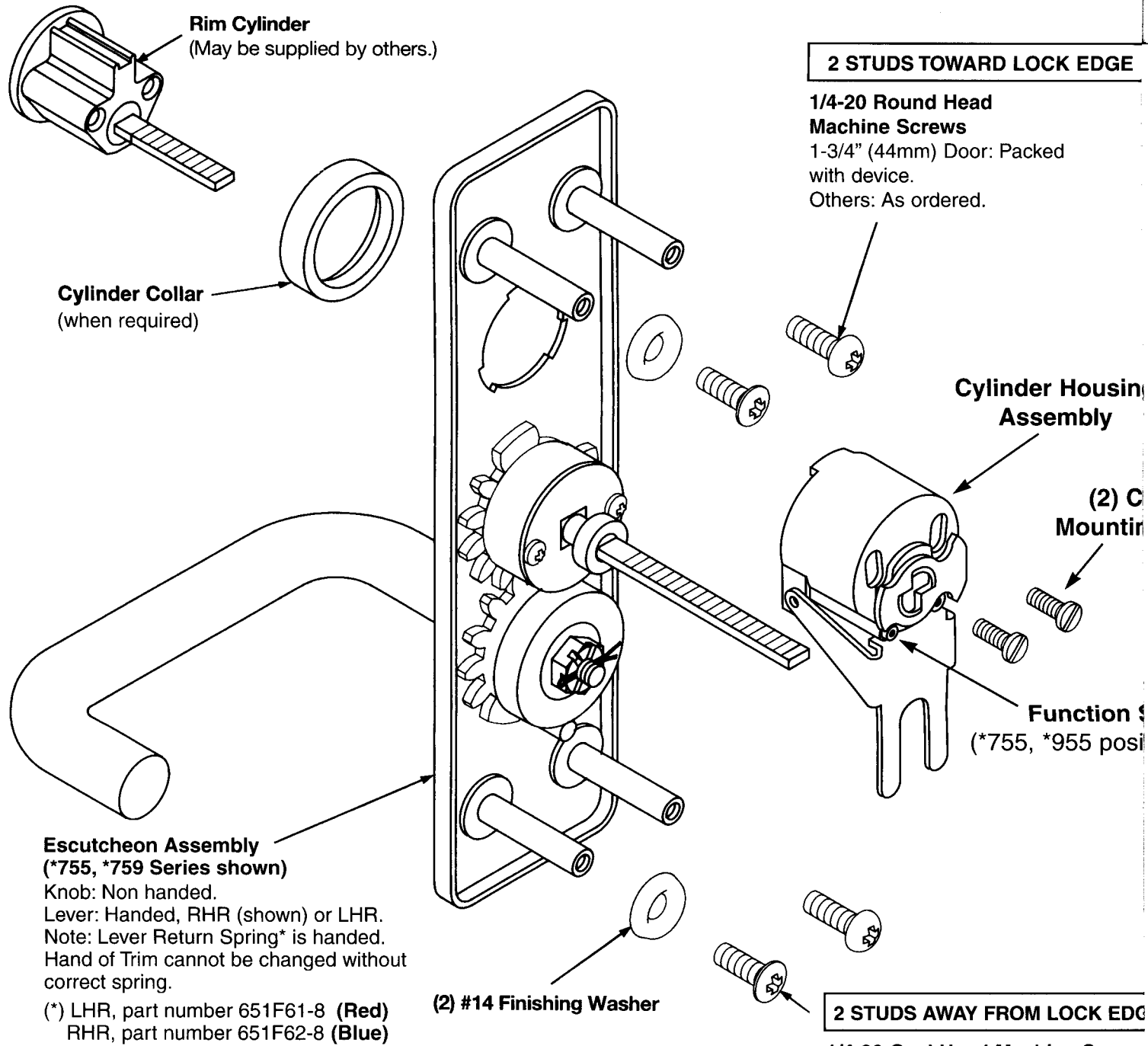
Handed (RHR or LHR)

*designated letter(s) of grip design.

**A755, A759 thru
PR755, PR759
Trim**

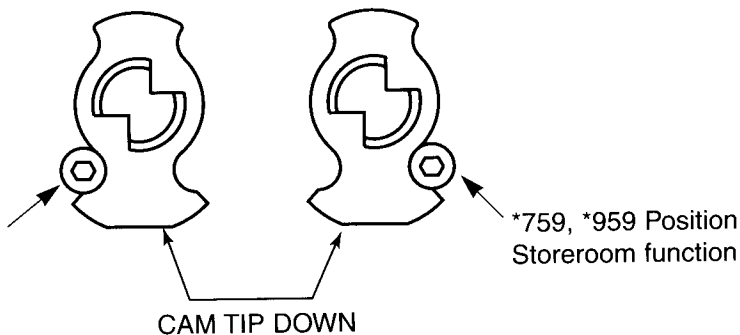
**L955, L959 and
N955, N959
Heavy Duty Trim**

INSTALLATION TEMPLATE



Trim Assembly Instructions

1. Check cylinder components. Non-standard cylinders may require special collars.
2. Assemble cylinder. Insert Cylinder Housing prongs into Escutcheon matching notches. Pass Cylinder tailpiece thru Cylinder Collar (when required) and Cylinder Housing slot in cam. Bolt Cylinder seated in Cylinder Collar or Escutcheon recess.
(DO NOT OVERTIGHTEN SCREWS).
3. Check cylinder action. Cylinder must freely rotate tailpiece into lock (cam pushing locking lever down) and unlock (shown) positions. When locking lever is engaged, it depresses the trim spindle. The knob/lever handle is, thus, disengaged.
4. Cut cylinder tailpiece. Correct length is 1/16" to 3/16" (2 to 5mm) beyond Cylinder Housing cam.
5. Determine trim function.
*755, *955 (Classroom)
Key locks/unlocks knob/lever handle.
*759, *959 (Storeroom)
Key locks/unlocks knob/lever handle.
Key removable ONLY in lock position.
6. To change Trim Function:
Rotate Cam Tip to down position (locked mode).
Move function screw as shown.



* designated letter(s) of grip design.

**Corbin
Russwin** 

In U.S.:
Corbin Russwin, Inc.
225 Episcopal Road
Berlin, CT 06037 USA
Phone: (860) 225-7411 Fax: (860) 828-7266

In Canada:
Yale-Corbin Canada LTD.
3160 Orlando Drive
Mississauga, Ontario, Canada L4V1R5
Phone: (905) 672-6220 Fax: (905) 672-9022