

SARGENT®

ASSA ABLOY

8X Line

Cylindrical Knob Locks



Table of Contents

8X Line Cylindrical Knob Locks

Features and Benefits.....	1
Functions, Knob and Rose Design.....	2
Latches and Strikes.....	3
Mechanical Options and Cylinder Options	4
How to Order, Finishes/Packaging and Architectural Specifications.....	5

Specifications

Door Thickness	1-3/8" (35mm) – 2" (51mm). Factory preset to 1-3/4" (44mm)
Backsets	2-3/4" (70mm) standard
Front	Heavy wrought brass or stainless steel 2-1/4" (57mm) x 1-1/8" (29mm) Self-adjusting for flat to 1/8" (3mm) in 2" (51mm) bevel
Strike	Heavy wrought brass or stainless steel 808 ANSI curved lip strike standard, (specify 28-) 800 curved lip strike optional
Hand	Universal, not handed
Knob	Heavy wrought brass or stainless steel
Roses	Heavy wrought brass or stainless steel
Latch	Stainless steel bolt 7/8" (22mm) dia. x 1/2" (13mm) throw
Cylinder	Brass, 6 pin, LA keyway standard
Keys	Two, nickel silver
Masterkeying	Can be masterkeyed or grand masterkeyed Construction key systems available
Finishes	03, 10BE, 32D
Door Prep	ANSI/BHMA A156.115 (US 161)
Minimum Stile	4-1/2" (114mm) with 2-3/4" backset

Certification Compliance

ANSI/BHMA	Certified ANSI/BHMA A156.2 Series 4000 - Grade 1
UL-cUL	UL and cUL Listed to U.S.A. and Canadian safety standards. Listed for 3 Hour Doors
Positive Pressure	Meets ANSI/UL 10C, Positive Pressure Fire Test of Door Assemblies

Any retrofit or other field modification to a fire rated opening can potentially impact the fire rating of the opening, and Sargent Manufacturing Company makes no representations or warranties concerning what such impact may be in any specific situation. When retrofitting any portion of an existing fire rated opening, or specifying and installing a new fire-rated opening, please consult with a code specialist or local code official (Authority Having Jurisdiction) to ensure compliance with all applicable codes and ratings.

On the Cover

SARGENT 8XG05 X LB X 32D
Entry Lock with L rose and B knob in Satin Stainless Steel

Features & Benefits

8X Line Cylindrical Knob Locks

Features & Benefits

The SARGENT 8X line is designed and tested for robust applications. The Grade 1 bored-in lock is a worry free solution.



Lock Chassis — Cold rolled steel with zinc dichromate finish for corrosion resistance

Knob assembly — heavy wrought knobs with steel liner for impact resistance

Cylinder — solid brass 6 pin system

Front plate — stamped 8X on front to indicate 8X Line lock

Deadlocking latch

Latch — stainless steel with zinc dichromate finish for corrosion resistance

8XG05 x LB Shown

Features & Benefits

Durability

- Certified to ANSI/BHMA A156.2 Series 4000 Grade 1

Flexibility

- Suitable for 1-3/8" – 2" thick doors
- Latches are reversible, self-adjusting to door bevel
- Accepts SARGENT standard, Signature and Degree® cylinders
- Available in 3 finishes
- Accurate alignment, smooth operation and reversibility of the lock without disassembly of knob and cylinder
- Versatile design to satisfy door requirements, making installation easy for new construction, as well as retrofits and renovations
- Design accommodates common door preps and satisfies all door handing
- Maintain and expand master keying systems' versatility for multiple levels of security
- Handles virtually all interior and exterior applications

Applications

- High traffic areas
- Hospitals
- Commercial buildings

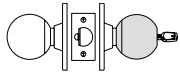
Functions, Knob and Rose Design

8X Line Cylindrical Knob Locks

Single Cylinder Functions

04 Storeroom or Closet

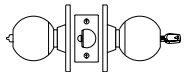
8XG04



- Key outside retracts latch
- Knob outside rigid at all times
- Knob inside retracts latchbolt
- Deadlocking latch
- ANSI F86

05 Entrance or Office

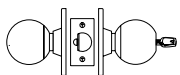
8XG05



- Latch by either knob unless outside knob is locked by turn button in inside knob
- Turn button released by key outside or knob inside
- Turn button must be released manually
- Key retracts latch when outside knob is locked
- Deadlocking Latch
- ANSI F109

37 Classroom

8XG37

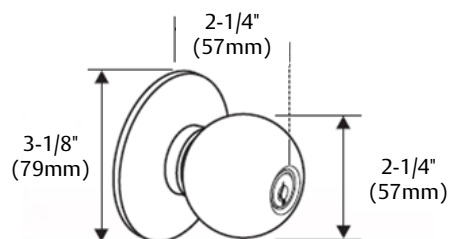


- Key outside locks or unlocks knob outside
- Knob outside retracts latch unless locked
- Knob inside always retracts latch
- Deadlocking latch
- ANSI F84

◆ Use only on rooms with more than one exit.

LB Design

- Rose: L – Heavy Wrought
- Knob: B – Heavy Wrought

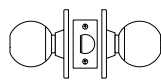


Knob projections shown are for 1-3/4" (44mm) thick doors and will vary by door thickness.

Non-Cylinder Functions

65 Privacy/Bathroom

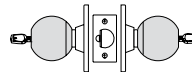
8XU65



- Either knob retract latch unless outside knob is locked by push button
- Push button is released by turning inside knob or closing the door
- Emergency release in outside knob unlocks outside knob with use of a blade screw driver or emergency key and releases inside button
- ANSI F76A

◆ 17 Utility, Asylum or Institution

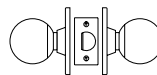
8XG17



- Key from either side retracts latch
- Both knobs rigid at all times
- Deadlocking latch
- ANSI F87

15 Passage

8XU15



- Either knob retracts latch
- ANSI F75

93 Single Knob Pull

8XU93



- Knob always rigid
- No latch included
- Surface mounted

Latches and Strikes

8X Line Cylindrical Knob Locks

Latch Assemblies

Part	Type	Function
Standard 2-3/4" (70mm) Backset		
08-5282	Plain Latch	15, 65
08-5283	Deadlocking Latch	04,05,17,37

Screw Pack

Includes the following:

- 2 each 5M-8 x 31 Phillips Flat Machine Screws
- 2 each 6M x 20 Combination Screws
- 2 each 4M x 20 Combination Screws
- To order separately, specify 08-5285
- Finishes: 03, 10BE, 32D

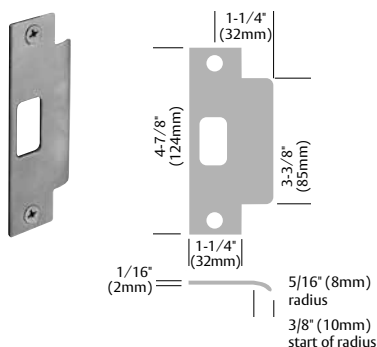
Latches

- To order latch with lock, specify option. Example: 28-8XG05 x OB x 26D x 2-3/4" (70mm) backset
- To order latch separately, specify: part number x finish (see table above)
- Front size: 2-1/4" (57mm) x 1-1/8" (29mm)
- Finishes: 03, 10BE, 32D

Strikes

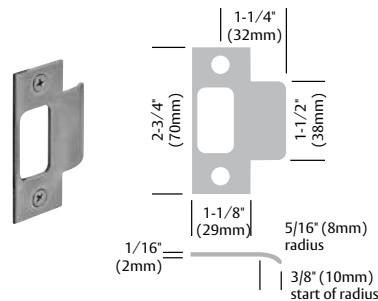
- To order strike separately, specify: strike x finish x lip length
- Finishes: 03, 10BE, 32D

4-7/8" Curved Lip Strike: (28- Option)



- Conforms to ANSI standard
- Furnished standard with curved lip 1-1/4" (32mm) from center of strike screw holes to end of lip
- Lip lengths 1-1/8" (29mm), 1-1/4" (32mm), 1-3/8" (35mm), 1-5/8" (42mm), 1-7/8" (48mm), 2-1/8" (54mm), 2-3/8" (60mm), 2-5/8" (66mm), 2-7/8" (73mm)
- To order strike separately, specify 808 strike x finish x lip length
- To order strike box, specify 77-1141 x finish

2-3/4" Curved Lip T- Strike — Available Separately



- Furnished standard with 1-1/4" (32mm) curved lip from center of strike screw holes to end of lip
- Lip lengths : 7/8" (22mm), 1" (25mm), 1-1/4" (32mm), 1-1/2" (38mm), 1-3/4" (44mm) and 2" (51mm)
- To order strike separately, specify 800 strike x finish x lip length
- To order strike box, specify AM-0044 x finish

Mechanical Options and Cylinder Options

8X Line Cylindrical Knob Locks



Mechanical Options:

Strike	28-	Strike #808. Lip length 1-1/4". Other lip lengths available by separate order.
Security Fasteners	36-	Six lobe security head screws
	37-	Spanner head screws
Box Strike	WBS-	Wrought Box Strike

Cylinder Options:

Conventional Cylinder	-	SARGENT Conventional Cylinders supplied Standard (Nomenclature not required) 0.226"
Degree Key System	DG1-	SARGENT Degree Key System Level 1 (bump resistant with patented keys)
	DG1-21-	Degree Level 1 Construction Master Keying
	DG2-	SARGENT Degree Key System Level 2 (geographically exclusive; bump and pick resistant)
	DG2-21-	Degree Level 2 Construction Master Keying
	DG3-	SARGENT Degree Key System Level 3 (geographically exclusive; UL437 Certified; bump and pick resistant)
	DG3-21-	Degree Level 3 Construction Master Keying
Signature Key System	10-	SARGENT Signature Key System
	10-21-	SARGENT Signature Construction Key System (Lost Ball)
XC- Key System	11-	XC Key System (not available with other Key Systems, unless specified)
	11-21-	XC Construction Key System (Lost Ball)
Construction Key Systems	21-	SARGENT Lost Ball Construction Keying for Conventional, XC and Signature Series (N/A with 63- or 73-)
	22-	SARGENT Construction Split Key System for Conventional Cylinders (existing systems only) (N/A with 10-, 11-, 63- or 73-)
Less Cylinder	LC-	Lock supplied less Cylinder

Copyright © 2015, Sargent Manufacturing Company, an ASSA ABLOY Group company. All rights reserved. Reproduction in whole or in part without the express written permission of Sargent Manufacturing Company is prohibited.

How to Order, Finishes/Packaging & Architectural Specifications

8X Line Cylindrical Knob Locks

SARGENT®

ASSA ABLOY

How To Order

Specify	Note	Example
Quantity	Number Ordered	1 Qty
*Option	Additional Feature	1 Qty 36-28-
Lock Function	See Functions	1 Qty 36-28-8XG05
Trim Design	Rose x Knob	1 Qty 36-28-8XG05 LB
Finish	See Finishes	1 Qty 36-28-8XG05 LB 32D
Additional Information	Item/Heading Number, Door Number, Keyset Information	1 Qty 36-28-8XG05 LB 26D x Item 01 x DRL201 x Keyset AA3

*Can choose multiple options

Packaging

28-8XG05 x LB x 32D
3 lbs (1.4kg)

Finishes

US Finish	Descriptions	ANSI/BHMA
03	Polished brass, clear coated	605
10BE	Dark Oxidized Satin Bronze — equivalent	613E
32D	Satin stainless	630

Suggested Architectural Specifications

2.1 Heavy Duty Bored Lock		
<p>A. All bored knob locks shall be provided by Sargent Manufacturing Company, New Haven, CT.</p> <p>B. Locks shall be certified ANSI A156.2 Series 4000, Grade 1.</p> <p>C. Locks shall be completely reversible without disassembly of cylinder and knob.</p> <p>D. Locks shall be able to fit a standard 2-1/8" (55 mm) bore (161 prep). Standard rose size shall be 3-1/8" (79 mm) diameter.</p>	<p>E. Locks required for fire doors shall be listed by Underwriters Laboratories for ratings of 3 hours (A label) and less, for doors up to 4'0" (1.2m) x 10'0" (3.0m)</p> <p>F. Latch shall be minimum 1/2" (13mm) throw.</p> <p>G. Locks shall have 2-3/4" (70 mm) backset, standard.</p> <p>H. Locks shall have brass 6-pin cylinder, standard.</p>	<p>I. Provide two Nickel Silver keys with each lock.</p> <p>J. Locks shall have a three year limited warranty.</p>

SARGENT Manufacturing Company
100 Sargent Drive
New Haven, CT 06511 USA
800-727-5477
www.sargentlock.com

ASSA ABLOY is the global
leader in door opening solutions,
dedicated to satisfying
end-user needs for security,
safety and convenience